

(19) World Intellectual Property Organization  
International Bureau



(43) International Publication Date  
29 November 2007 (29.11.2007)

PCT

(10) International Publication Number  
**WO 2007/137019 A3**

(51) International Patent Classification:  
*G06F 1/20* (2006.01)

(21) International Application Number:  
PCT/US2007/068854

(22) International Filing Date: 14 May 2007 (14.05.2007)

(25) Filing Language: English

(26) Publication Language: English

(30) Priority Data:  
60/800,715 16 May 2006 (16.05.2006) US  
11/736,965 18 April 2007 (18.04.2007) US

(71) Applicant (for all designated States except US): **HARD-CORE COMPUTER, INC.** [US/US]; 5329 54th Avenue NW, Rochester, MN 55901 (US).

(72) Inventors; and

(75) Inventors/Applicants (for US only): **ATTLESEY, Chad, Daniel** [US/US]; 5329 54th Avenue NW, Rochester, MN 55901 (US). **KLUM, R., Daren** [US/US]; 1314 W. Royal Oaks Drive, Shoreview, MN 55126 (US). **BERNING, Allen, James** [US/US]; 1439 Bell Oaks Lane SW, Rochester, MN 55902 (US).

(74) Agent: **LARSON, James, A.**; Hamre, Schumann, Mueller & Larson, P.C., P.O. Box 2902, Minneapolis, MN 55402-0902 (US).

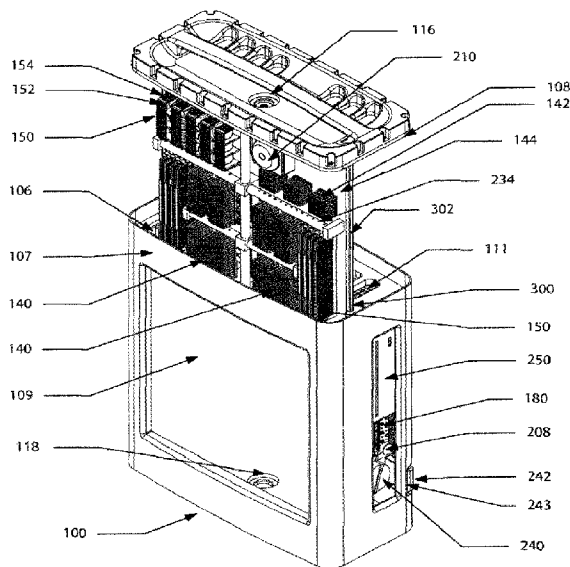
(81) Designated States (unless otherwise indicated, for every kind of national protection available): AE, AG, AL, AM, AT, AU, AZ, BA, BB, BG, BH, BR, BW, BY, BZ, CA, CH, CN, CO, CR, CU, CZ, DE, DK, DM, DZ, EC, EE, EG, ES, FI, GB, GD, GE, GH, GM, GT, HN, HR, HU, ID, IL, IN, IS, JP, KE, KG, KM, KN, KP, KR, KZ, LA, LC, LK, LR, LS, LT, LU, LY, MA, MD, ME, MG, MK, MN, MW, MX, MY, MZ, NA, NG, NI, NO, NZ, OM, PG, PH, PL, PT, RO, RS, RU, SC, SD, SE, SG, SK, SL, SM, SV, SY, TJ, TM, TN, TR, TT, TZ, UA, UG, US, UZ, VC, VN, ZA, ZM, ZW.

(84) Designated States (unless otherwise indicated, for every kind of regional protection available): ARIPO (BW, GH, GM, KE, LS, MW, MZ, NA, SD, SL, SZ, TZ, UG, ZM, ZW), Eurasian (AM, AZ, BY, KG, KZ, MD, RU, TJ, TM), European (AT, BE, BG, CH, CY, CZ, DE, DK, EE, ES, FI, FR, GB, GR, HU, IE, IS, IT, LT, LU, LV, MC, MT, NL, PL, PT, RO, SE, SI, SK, TR), OAPI (BF, BJ, CF, CG, CI, CM, GA, GN, GQ, GW, ML, MR, NE, SN, TD, TG).

Published:  
— with international search report

(88) Date of publication of the international search report:  
28 February 2008

(54) Title: A CASE FOR A LIQUID SUBMERSION COOLED ELECTRONIC DEVICE



(57) Abstract: A case for a liquid submersion cooled computer includes a plurality of walls defining a liquid-tight interior space. At least a portion of one of the walls is made of a material that permits viewing of objects, for example, a motherboard, within the interior space. A removable lid closes the top of the interior space. The lid forms a liquid-tight seal with the plurality of walls, and the lid includes a sealed electrical connector fixed thereto that is configured to attach to the motherboard disposed in the interior space and to provide electrical connection between the motherboard and an exterior of the case. The case can include a drain valve for draining liquid from the case. Further, the lid can have an opening for introducing liquid into the interior space, and a handle to facilitate lifting of the lid along with the motherboard connected to the lid.

WO 2007/137019 A3

**A. CLASSIFICATION OF SUBJECT MATTER****G06F 1/20(2006.01)i**

According to International Patent Classification (IPC) or to both national classification and IPC

**B. FIELDS SEARCHED**

Minimum documentation searched (classification system followed by classification symbols)

IPC 8 G06F

Documentation searched other than minimum documentation to the extent that such documents are included in the fields searched

Korean Utility models and applications for Utility models since 1975

Japanese Utility models and applications for Utility models since 1975

Electronic data base consulted during the international search (name of data base and, where practicable, search terms used)

eKIPASS(KIPO internal), IEEE(http://ieeexplore.ieee.org/), Keyword : direct, immersion and liquid

**C. DOCUMENTS CONSIDERED TO BE RELEVANT**

Category*	Citation of document, with indication, where appropriate, of the relevant passages	Relevant to claim No.
A	YOKOUCHI, K. et al. 'Immersion Cooling for High-Density Packaging' In :IEEE Transactions on Components, Hybrids, and Manufacturing Technology, Dec. 1987, vol. 10, No 4, pp. 643-646 See the whole document	1-17
A	SIMONS, R. E. 'The evolution of IBM High Performance Cooling Technology' In: :IEEE Transactions on Components, Packaging, and Manufacturing Technology-Part A, Dec. 1995, vol. 18, No 4, pp. 805-811 See the whole document	1-17
A	CHU, R. C. 'Advanced Cooling Technology for Leading-edge Computer Products' In: Solid-State and Integrated Circuit Technology, 1998, 5th International Conference. 21-23 Oct. 1998, pp. 559 - 562 See the whole document	1-17
A	US 2003/0081380 A1 (TSUYOSHI NAKAGAWA et al.) 1 May 2003 See Paragraph[0028]-[0039] & Fig. 1	1-17
A	US 6,972,954 B2 (RINTARO MINAMITANI et al.) 6 December 2005 See Column 4, Line 48 - Column 5, Line 2 & Fig. 1	1-17

 Further documents are listed in the continuation of Box C. See patent family annex.

\* Special categories of cited documents:

"A" document defining the general state of the art which is not considered to be of particular relevance

"E" earlier application or patent but published on or after the international filing date

"L" document which may throw doubts on priority claim(s) or which is cited to establish the publication date of citation or other special reason (as specified)

"O" document referring to an oral disclosure, use, exhibition or other means

"P" document published prior to the international filing date but later than the priority date claimed

"T" later document published after the international filing date or priority date and not in conflict with the application but cited to understand the principle or theory underlying the invention

"X" document of particular relevance; the claimed invention cannot be considered novel or cannot be considered to involve an inventive step when the document is taken alone

"Y" document of particular relevance; the claimed invention cannot be considered to involve an inventive step when the document is combined with one or more other such documents, such combination being obvious to a person skilled in the art

"&amp;" document member of the same patent family

Date of the actual completion of the international search

15 NOVEMBER 2007 (15.11.2007)

Date of mailing of the international search report

**15 NOVEMBER 2007 (15.11.2007)**

Name and mailing address of the ISA/KR

Korean Intellectual Property Office  
920 Dunsan-dong, Seo-gu, Daejeon 302-701,  
Republic of Korea

Facsimile No. 82-42-472-7140

Authorized officer

YEO, Won Hyeon

Telephone No. 82-42-481-5696



**INTERNATIONAL SEARCH REPORT**

Information on patent family members

International application No.

**PCT/US2007/068854**

Patent document cited in search report	Publication date	Patent family member(s)	Publication date
US2003/0081380A1	01.05.2003	JP2002182797A2	26.06.2002
		JP3607608B2	05.01.2005
		TW502149B	11.09.2002
		TW550449B	01.09.2003
		US20020075643A1	20.06.2002
		US20020101716A1	01.08.2002
		US6519148B2	11.02.2003
		US6791834B2	14.09.2004
US 6,972,954B2	06.12.2005	US2005157466A1	21.07.2005