



- (51) **International Patent Classification:**
F41A 21/36 (2006.01) F41A 21/30 (2006.01)
- (21) **International Application Number:**
PCT/US2013/000008
- (22) **International Filing Date:**
2 January 2013 (02.01.2013)
- (25) **Filing Language:** English
- (26) **Publication Language:** English
- (30) **Priority Data:**
61/583,942 6 January 2012 (06.01.2012) US
- (71) **Applicant:** RA BRANDS, L.L.C. [US/US]; 870 Remington Drive, Madison, NC 27025 (US).
- (72) **Inventor:** STONE, Jeffrey, W.; 812 Sunrise Lane, Elizabethtown, KY 42701 (US).
- (74) **Agent:** SUDDERTH, D., Scott; Womble Carlyle Sandridge & Rice, PLLC, P.O. Box 7037, Atlanta, GA 30357-0037 (US).

NO, NZ, OM, PA, PE, PG, PH, PL, PT, QA, RO, RS, RU, RW, SC, SD, SE, SG, SK, SL, SM, ST, SV, SY, TH, TJ, TM, TN, TR, TT, TZ, UA, UG, US, UZ, VC, VN, ZA, ZM, ZW.

- (84) **Designated States** (unless otherwise indicated, for every kind of regional protection available): ARIPO (BW, GH, GM, KE, LR, LS, MW, MZ, NA, RW, SD, SL, SZ, TZ, UG, ZM, ZW), Eurasian (AM, AZ, BY, KG, KZ, RU, TJ, TM), European (AL, AT, BE, BG, CH, CY, CZ, DE, DK, EE, ES, FI, FR, GB, GR, HR, HU, IE, IS, IT, LT, LU, LV, MC, MK, MT, NL, NO, PL, PT, RO, RS, SE, SI, SK, SM, TR), OAPI (BF, BJ, CF, CG, CI, CM, GA, GN, GQ, GW, ML, MR, NE, SN, TD, TG).

Declarations under Rule 4.17:

- as to applicant's entitlement to apply for and be granted a patent (Rule 4.17(ii))
- as to the applicant's entitlement to claim the priority of the earlier application (Rule 4.17(iii))

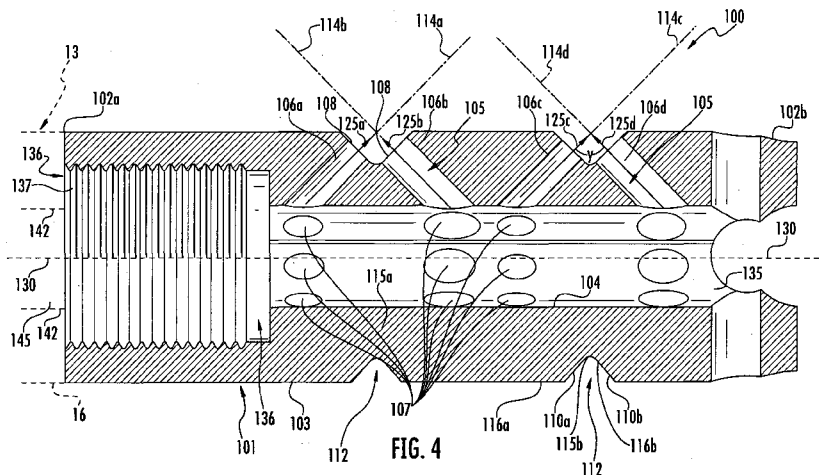
Published:

- with international search report (Art. 21(3))
- before the expiration of the time limit for amending the claims and to be republished in the event of receipt of amendments (Rule 48.2(h))

- (88) **Date of publication of the international search report:**
28 November 2013

- (81) **Designated States** (unless otherwise indicated, for every kind of national protection available): AE, AG, AL, AM, AO, AT, AU, AZ, BA, BB, BG, BH, BN, BR, BW, BY, BZ, CA, CH, CL, CN, CO, CR, CU, CZ, DE, DK, DM, DO, DZ, EC, EE, EG, ES, FI, GB, GD, GE, GH, GM, GT, HN, HR, HU, ID, IL, IN, IS, JP, KE, KG, KM, KN, KP, KR, KZ, LA, LC, LK, LR, LS, LT, LU, LY, MA, MD, ME, MG, MK, MN, MW, MX, MY, MZ, NA, NG, NI,

(54) **Title:** CANCELLATION MUZZLE BRAKE ASSEMBLY



(57) **Abstract:** A muzzle brake assembly for a firearm comprising ports that are arranged about a circumference of the muzzle brake assembly in pairs of ports opposing one another, so that the vented gas flow from one of the ports of the pair impinges on the vented gas flow from the other port of the pair.

WO 2013/147959 A3

INTERNATIONAL SEARCH REPORT

International application No
PCT/US2013/000008

A. CLASSIFICATION OF SUBJECT MATTER
 INV. F41A21/36
 ADD. F41A21/30

According to International Patent Classification (IPC) or to both national classification and IPC

B. FIELDS SEARCHED

Minimum documentation searched (classification system followed by classification symbols)
 F41A

Documentation searched other than minimum documentation to the extent that such documents are included in the fields searched

Electronic data base consulted during the international search (name of data base and, where practicable, search terms used)
 EPO-Internal

C. DOCUMENTS CONSIDERED TO BE RELEVANT

Category*	Citation of document, with indication, where appropriate, of the relevant passages	Relevant to claim No.
X	US 2 212 684 A (HUGHES ROBERT H S) 27 August 1940 (1940-08-27)	1,4-9, 11,12, 14-17, 19-26
Y	page 1, left-hand column, lines 1-4 page 1, left-hand column, line 46 - page 1, right-hand column, line 12 -----	2,3,18
Y	US 8 042 448 B1 (SYLVESTER DEAN [US] ET AL) 25 October 2011 (2011-10-25) figure 5 -----	2,3
Y	US 5 549 030 A (LESPRON ANGEL [US]) 27 August 1996 (1996-08-27) column 1, lines 6-8 figure 1 -----	18
	----- -/--	

Further documents are listed in the continuation of Box C. See patent family annex.

* Special categories of cited documents :

"A" document defining the general state of the art which is not considered to be of particular relevance	"T" later document published after the international filing date or priority date and not in conflict with the application but cited to understand the principle or theory underlying the invention
"E" earlier application or patent but published on or after the international filing date	"X" document of particular relevance; the claimed invention cannot be considered novel or cannot be considered to involve an inventive step when the document is taken alone
"L" document which may throw doubts on priority claim(s) or which is cited to establish the publication date of another citation or other special reason (as specified)	"Y" document of particular relevance; the claimed invention cannot be considered to involve an inventive step when the document is combined with one or more other such documents, such combination being obvious to a person skilled in the art
"O" document referring to an oral disclosure, use, exhibition or other means	"&" document member of the same patent family
"P" document published prior to the international filing date but later than the priority date claimed	

Date of the actual completion of the international search 4 October 2013	Date of mailing of the international search report 14/10/2013
---	--

Name and mailing address of the ISA/ European Patent Office, P.B. 5818 Patentlaan 2 NL - 2280 HV Rijswijk Tel. (+31-70) 340-2040, Fax: (+31-70) 340-3016	Authorized officer Van Leeuwen, Erik
--	---

INTERNATIONAL SEARCH REPORT

International application No

PCT/US2013/000008

C(Continuation). DOCUMENTS CONSIDERED TO BE RELEVANT		
Category*	Citation of document, with indication, where appropriate, of the relevant passages	Relevant to claim No.
X	US 3 187 633 A (TANABE DAVID S) 8 June 1965 (1965-06-08) column 3, line 57 - column 5, line 9 figures 1-5 -----	1,5-17, 19-26
X	EP 0 579 306 A1 (BROWNING SA [BE]) 19 January 1994 (1994-01-19) figures 5, 6 page 7, lines 18-32 page 3, lines 20-23 -----	1,4-17, 19-26

INTERNATIONAL SEARCH REPORT

Information on patent family members

International application No PCT/US2013/000008

Patent document cited in search report	Publication date	Patent family member(s)	Publication date
US 2212684	A	27-08-1940	NONE

US 8042448	B1	25-10-2011	NONE

US 5549030	A	27-08-1996	NONE

US 3187633	A	08-06-1965	NONE

EP 0579306	A1	19-01-1994	AT 152233 T 15-05-1997
		DE 69310038 D1	28-05-1997
		DE 69310038 T2	04-09-1997
		DK 0579306 T3	27-10-1997
		EP 0579306 A1	19-01-1994
		ES 2104042 T3	01-10-1997
		FI 933173 A	14-01-1994
		NO 932529 A	14-01-1994
		US RE35381 E	26-11-1996
		US 5279200 A	18-01-1994
