



US00D339911S

# United States Patent [19]

[11] Patent Number: **Des. 339,911**

Kooistra

[45] Date of Patent: **\*\* Oct. 5, 1993**

[54] PLEATING MACHINE

[56] References Cited

[76] Inventor: **Tjeerd J. Kooistra**, 356 Marion Road, North Plympton, Adelaide 5037 South Australia, Australia

### U.S. PATENT DOCUMENTS

2,425,247	8/1947	Kelly	223/28
2,632,495	3/1953	Agee	223/28
4,323,021	4/1982	Durand	223/32
4,911,342	3/1990	Etheridge et al.	223/32

[\*\*] Term: **14 Years**

### FOREIGN PATENT DOCUMENTS

0450913	8/1949	Italy	223/28
---------	--------	-------	--------

[21] Appl. No.: **561,666**

*Primary Examiner*—Bernard Ansher  
*Assistant Examiner*—Sandra Morris  
*Attorney, Agent, or Firm*—Bruce L. Adams; Van C. Wilks

[22] Filed: **Aug. 2, 1990**

### [57] CLAIM

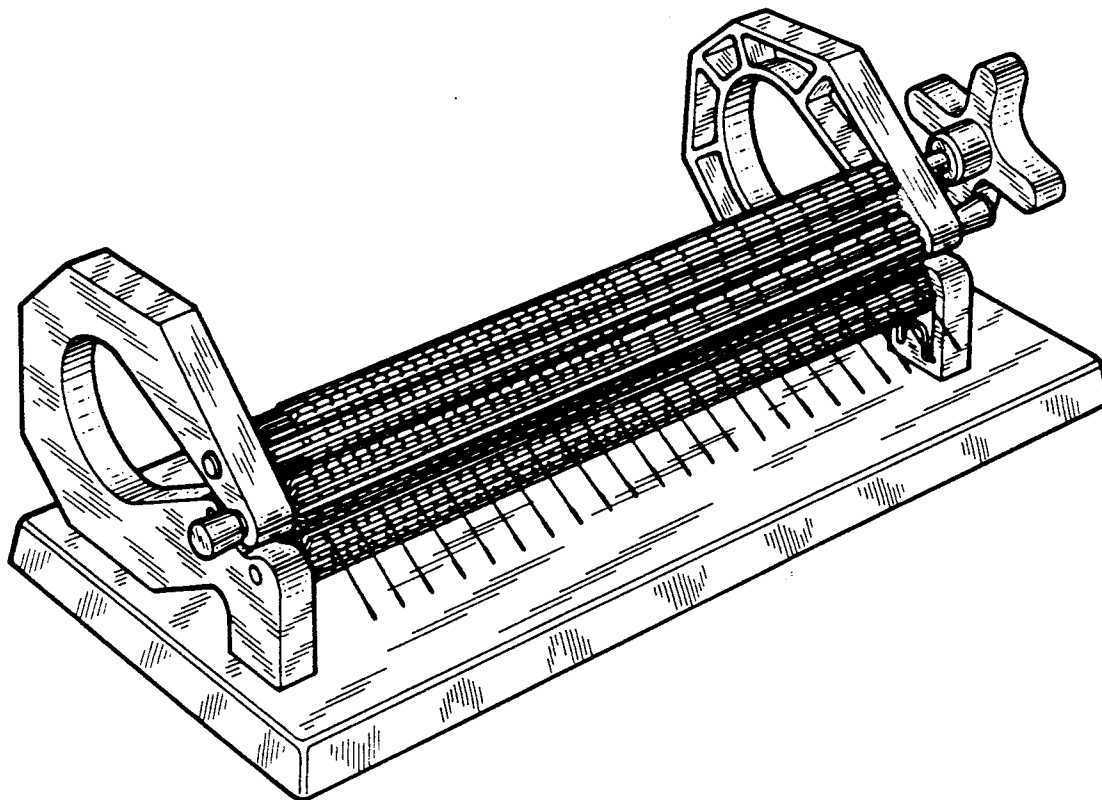
The ornamental design for a pleating machine, as shown and described.

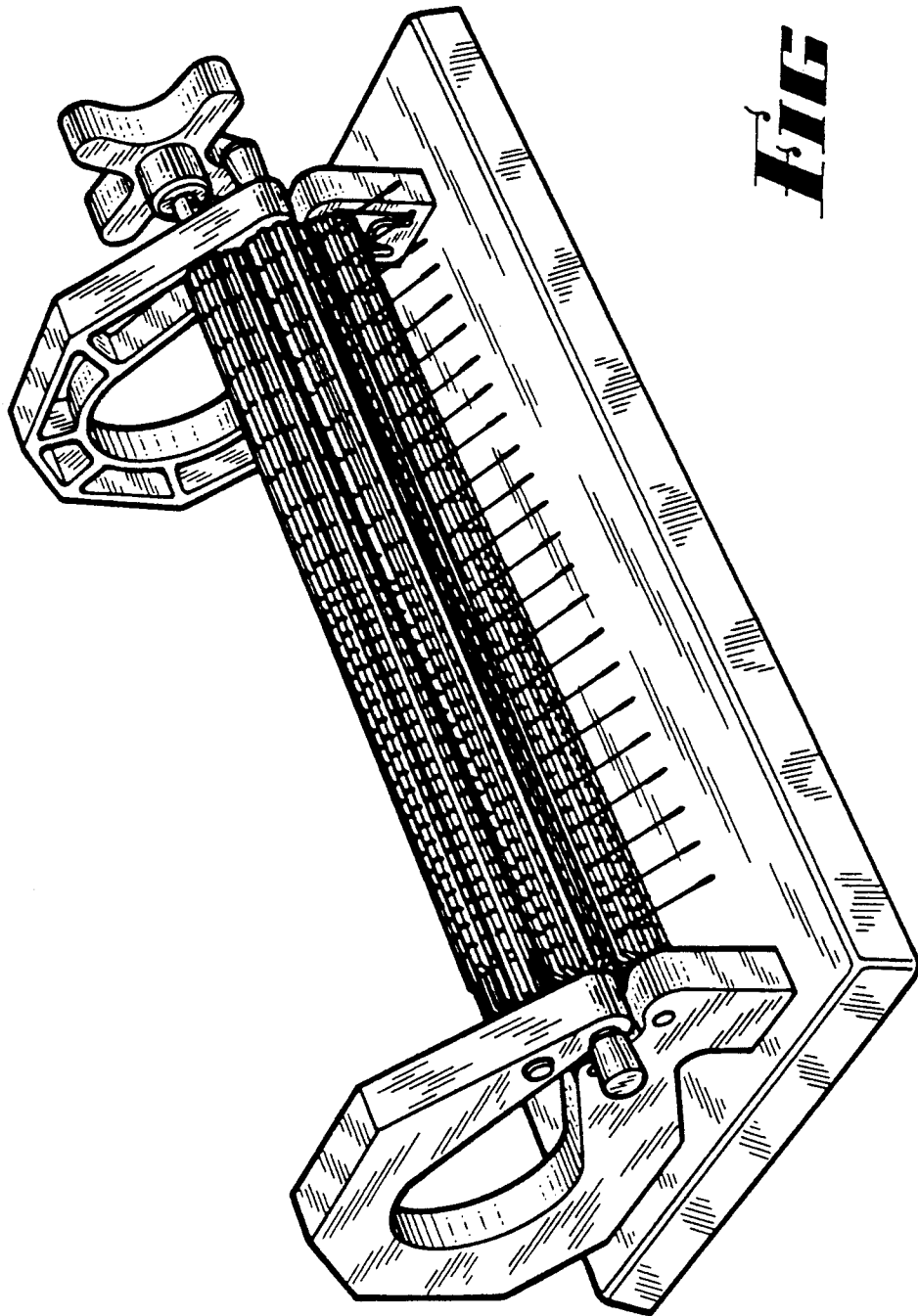
### [30] Foreign Application Priority Data

Mar. 28, 1990	[AU]	Australia	935/90
[52]	U.S. Cl.		D3/18; D15/66
[58]	Field of Search		D15/10, 11, 23, 26, D15/27, 28; D3/18; 223/28, 32; 112/132, 133, 174

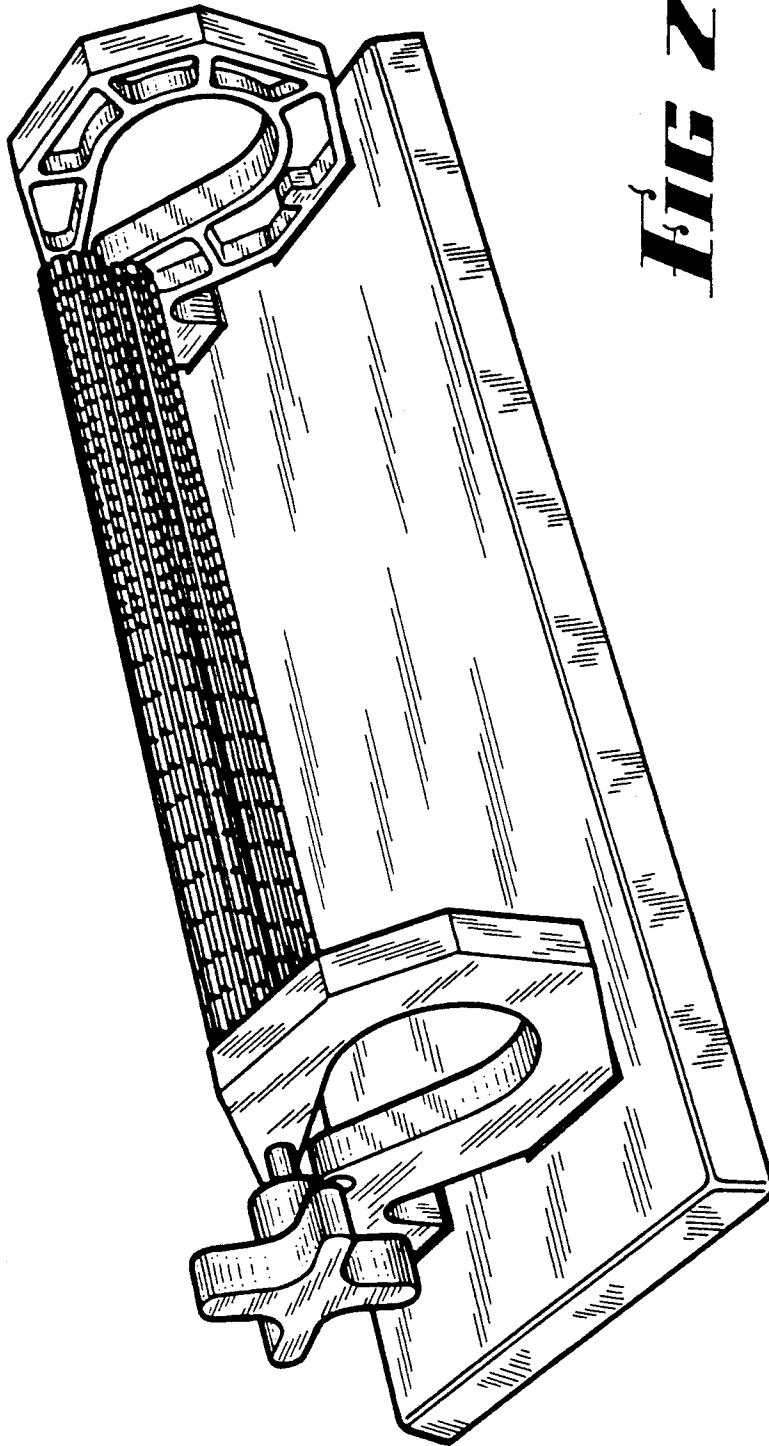
### DESCRIPTION

FIG. 1 is a front left perspective view of a pleating machine showing my new design; FIG. 2 is a rear right perspective view thereof; and, FIG. 3 is a bottom left perspective view thereof.

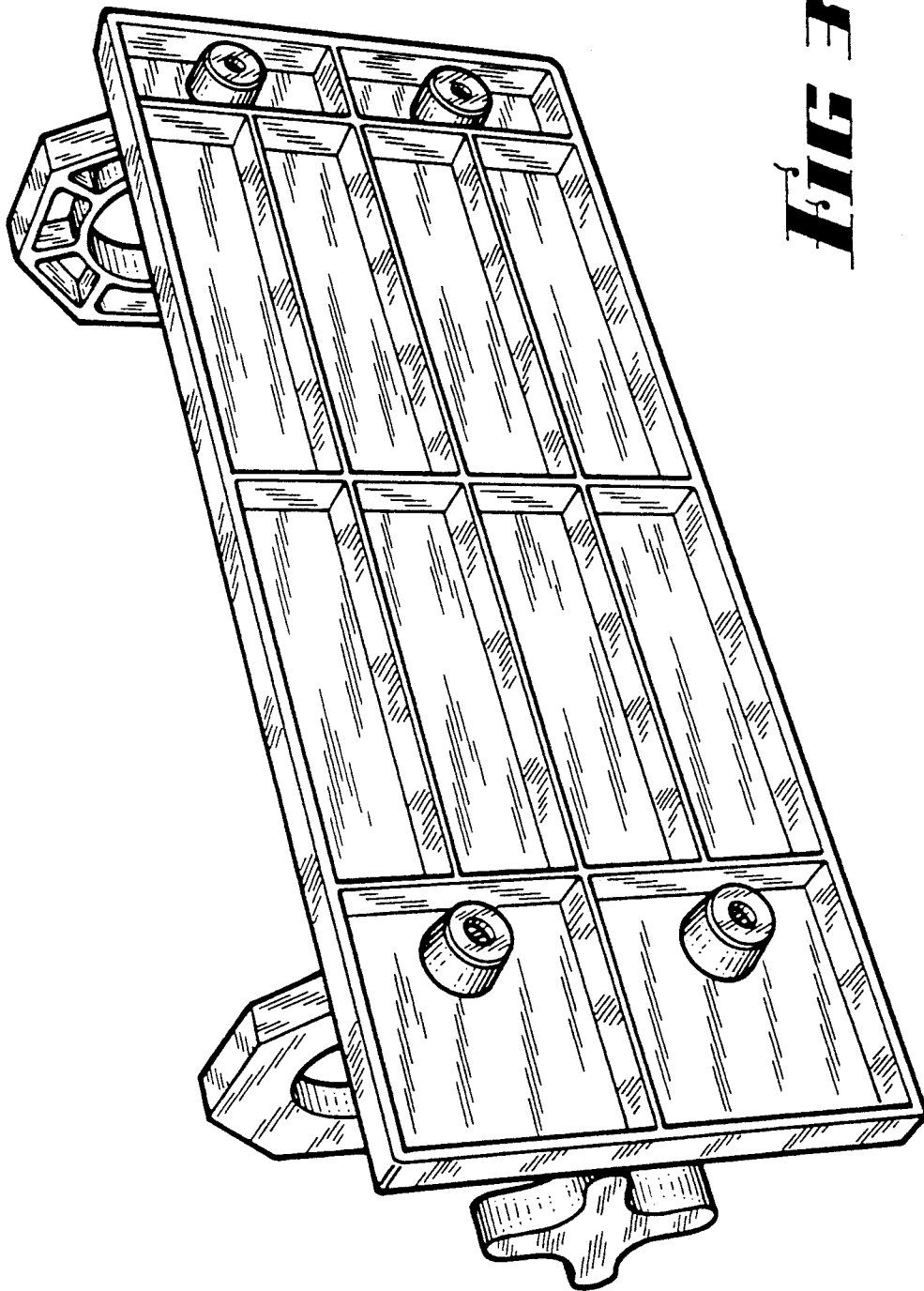




**FIG 1**



**FIG 2**



**FIG. 3**