

(19) World Intellectual Property Organization
International Bureau



(43) International Publication Date
3 November 2005 (03.11.2005)

PCT

(10) International Publication Number
WO 2005/102017 A3

- (51) International Patent Classification:
H04M 1/66 (2006.01) H04M 1/68 (2006.01)
- (21) International Application Number:
PCT/US2005/001428
- (22) International Filing Date: 14 January 2005 (14.01.2005)
- (25) Filing Language: English
- (26) Publication Language: English
- (30) Priority Data:
60/536,824 15 January 2004 (15.01.2004) US
- (71) Applicant (for all designated States except BB, US):
NOKIA CORPORATION [FI/FI]; Keilalahdentie 4,
FIN-02150 Espoo (FI).
- (71) Applicant (for BB only): NOKIA, INC. [US/US]; 6000
Connection Drive, Irving, TX 75039 (US).
- (72) Inventor; and
- (75) Inventor/Applicant (for US only): OOMMEN, Paul
[IN/US]; 8723 Stonecrest Drive, Irving, TX 75063 (US).
- (74) Agent: SMITH, Harry, F.; Harrington & Smith, LLP, 4
Research Drive, Shelton, CT 06484-6212 (US).

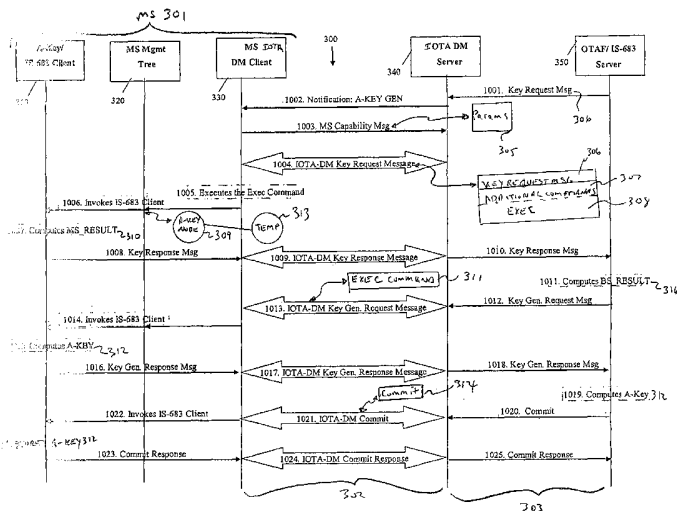
- (81) Designated States (unless otherwise indicated, for every
kind of national protection available): AE, AG, AL, AM,
AT, AU, AZ, BA, BB, BG, BR, BW, BY, BZ, CA, CH, CN,
CO, CR, CU, CZ, DE, DK, DM, DZ, EC, EE, EG, ES, FI,
GB, GD, GE, GH, GM, HR, HU, ID, IL, IN, IS, JP, KE,
KG, KP, KR, KZ, LC, LK, LR, LS, LT, LU, LV, MA, MD,
MG, MK, MN, MW, MX, NA, SD, SL, SZ, TZ, UG, ZM,
PH, PL, PT, RO, RU, SC, SD, SE, SG, SK, SL, SM, SY,
TJ, TM, TN, TR, TT, TZ, UA, UG, US, UZ, VC, VN, YU,
ZA, ZM, ZW.
- (84) Designated States (unless otherwise indicated, for every
kind of regional protection available): ARIPO (BW, GH,
GM, KE, LS, MW, MZ, NA, SD, SL, SZ, TZ, UG, ZM,
ZW), Eurasian (AM, AZ, BY, KG, KZ, MD, RU, TJ, TM),
European (AT, BE, BG, CH, CY, CZ, DE, DK, EE, ES, FI,
FR, GB, GR, HU, IE, IS, IT, LT, LU, MC, NL, PL, PT, RO,
SE, SI, SK, TR), OAPI (BF, BJ, CF, CG, CI, CM, GA, GN,
GQ, GW, ML, MR, NE, SN, TD, TG).

Published:
— with international search report

(88) Date of publication of the international search report:
20 July 2006

For two-letter codes and other abbreviations, refer to the "Guidance Notes on Codes and Abbreviations" appearing at the beginning of each regular issue of the PCT Gazette.

(54) Title: TECHNIQUES FOR UPDATING SECURITY-RELATED PARAMETERS FOR MOBILE STATIONS



(57) Abstract: A method is performed on a first server for communicating with a mobile station in order for the mobile station to update a security-related parameter. The method comprises determining that a request expressed in a first protocol has been made by a second server for updating the security-related parameter on the mobile station. In response to the determination, the request is packaged in a message expressed in a second protocol and is communicated to the mobile station. Another method is disclosed that is performed on a mobile station for updating a security-related parameter. The method comprises receiving a message that is expressed in a first protocol from a server and that comprises a request for the mobile station to update the security-related parameter. The request is expressed in a second protocol. In response to the message, at least one operation is performed in order to update the security-related parameter.

WO 2005/102017 A3

INTERNATIONAL SEARCH REPORT

International application No.

PCT/US05/01428

A. CLASSIFICATION OF SUBJECT MATTER
 IPC: **H04M 01/66;H04M 01/68**
 H04M 03/00;H04Q 07/20

USPC: 455/410

According to International Patent Classification (IPC) or to both national classification and IPC

B. FIELDS SEARCHED

Minimum documentation searched (classification system followed by classification symbols)
 U.S. :

Documentation searched other than minimum documentation to the extent that such documents are included in the fields searched

Electronic data base consulted during the international search (name of data base and, where practicable, search terms used)

C. DOCUMENTS CONSIDERED TO BE RELEVANT

Category *	Citation of document, with indication, where appropriate, of the relevant passages	Relevant to claim No.
X --- Y	US 6,587,680 B1 (ALA-LAURILA et al) 01 July 2003, column 5 line 43-51, column 10 line 10-66, figure 2	1-3,5-9,11,12,14-32,36-38 and 40-50
Y	US 2003/0069008 A1 (NAKAZAWA et al) 10 April 2003, para [006]	4,10,13,33-35 and 39 4 and 33-35
Y	US 6,587,684 B1 (HSU et al) 01 July 2003, column line 8-30 and column 19 line 47-49	10, 13 and 39

Further documents are listed in the continuation of Box C. See patent family annex.

* Special categories of cited documents:	"T" later document published after the international filing date or priority date and not in conflict with the application but cited to understand the principle or theory underlying the invention
"A" document defining the general state of the art which is not considered to be of particular relevance	"X" document of particular relevance; the claimed invention cannot be considered novel or cannot be considered to involve an inventive step when the document is taken alone
"E" earlier application or patent published on or after the international filing date	"Y" document of particular relevance; the claimed invention cannot be considered to involve an inventive step when the document is combined with one or more other such documents, such combination being obvious to a person skilled in the art
"L" document which may throw doubts on priority claim(s) or which is cited to establish the publication date of another citation or other special reason (as specified)	"&" document member of the same patent family
"O" document referring to an oral disclosure, use, exhibition or other means	
"P" document published prior to the international filing date but later than the priority date claimed	

Date of the actual completion of the international search 23 February 2006 (23.02.2006)	Date of mailing of the international search report 12 APR 2006
Name and mailing address of the ISA/US Mail Stop PCT, Attn: ISA/US Commissioner for Patents P.O. Box 1450 Alexandria, Virginia 22313-1450 Facsimile No. (571) 273-3201	Authorized officer Ayaz R Sheikh <i>Raren A. Ward</i> Telephone No. 703-305-0900