

(19) World Intellectual Property Organization  
International Bureau



(43) International Publication Date  
11 October 2007 (11.10.2007)

PCT

(10) International Publication Number  
**WO 2007/115031 A3**

- (51) International Patent Classification:  
G06F 9/45 (2006.01)
- (21) International Application Number:  
PCT/US2007/065347
- (22) International Filing Date: 28 March 2007 (28.03.2007)
- (25) Filing Language: English
- (26) Publication Language: English
- (30) Priority Data:  
PCT/US2006/012105  
31 March 2006 (31.03.2006) US
- (71) Applicant (for all designated States except US): **INTERACT INCORPORATED SOFTWARE SYSTEMS** [US/US]; 9390 Research Blvd., Kaleido II, Suite 100, Austin, TX 78759 (US).
- (72) Inventors; and
- (75) Inventors/Applicants (for US only): **GISSLER, Gregory, L.** [US/US]; 518 County Road 1403, Lometa, Texas,

TX 76853 (US). **DAVIS, Chris, M.** [US/US]; 1809 Greening Way, Leander, Texas, TX 78641 (US). **GLOVER, Michael, S.** [US/US]; 702 Pecan Pass, Cedar Park, Texas, TX 78613 (US).

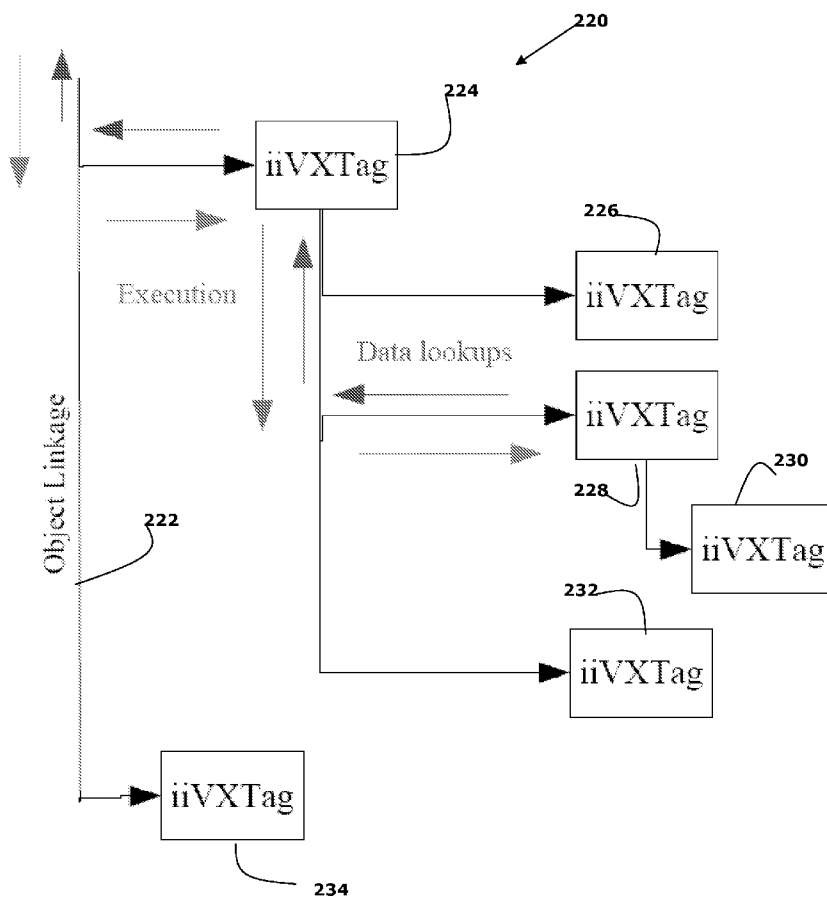
(74) Agent: **HULSEY, William, N., III**; Hulsey IP Intellectual Property Lawyers, 1250 S. Capital of Texas Highway, Building 3, Suite 610, Austin, Texas 78746 (US).

(81) Designated States (unless otherwise indicated, for every kind of national protection available): AE, AG, AL, AM, AT, AU, AZ, BA, BB, BG, BH, BR, BW, BY, BZ, CA, CH, CN, CO, CR, CU, CZ, DE, DK, DM, DZ, EC, EE, EG, ES, FI, GB, GD, GE, GH, GM, GT, HN, HR, HU, ID, IL, IN, IS, JP, KE, KG, KM, KN, KP, KR, KZ, LA, LC, LK, LR, LS, LT, LU, LY, MA, MD, MG, MK, MN, MW, MX, MY, MZ, NA, NG, NI, NO, NZ, OM, PG, PH, PL, PT, RO, RS, RU, SC, SD, SE, SG, SK, SL, SM, SV, SY, TJ, TM, TN, TR, TT, TZ, UA, UG, US, UZ, VC, VN, ZA, ZM, ZW.

(84) Designated States (unless otherwise indicated, for every kind of regional protection available): ARIPO (BW, GH, GM, KE, LS, MW, MZ, NA, SD, SL, SZ, TZ, UG, ZM, ZW), Eurasian (AM, AZ, BY, KG, KZ, MD, RU, TJ, TM),

[Continued on next page]

(54) Title: METHOD AND SYSTEM FOR PROCESSING XML-TYPE TELECOMMUNICATIONS DOCUMENTS



(57) Abstract: Techniques for use in telecommunications products and services for processing XML-type (e.g., CCXML or VXML) documents in association with the operation of a telecommunications network include parsing a XML-type document a single time for all instruction execution relating to the XML-type document for generating an XML-type reference document. Compiling the XML reference document occurs next for generating a XML-type binary reference file comprising a plurality of binary data sets derived from the XML-type reference document. Then, the method and system convert the XML-type binary reference file to an object tree for use of the contents of the XML-type binary reference file at essentially execution speeds. The method and system provide for storing data in a cache memory, the data relating to the XML-type binary reference file in the processing of the XML-type document.

WO 2007/115031 A3



European (AT, BE, BG, CH, CY, CZ, DE, DK, EE, ES, FI, FR, GB, GR, HU, IE, IS, IT, LT, LU, LV, MC, MT, NL, PL, PT, RO, SE, SI, SK, TR), OAPI (BF, BJ, CF, CG, CI, CM, GA, GN, GQ, GW, ML, MR, NE, SN, TD, TG).

**Published:**

- *with international search report*
- *before the expiration of the time limit for amending the claims and to be republished in the event of receipt of amendments*

**Declaration under Rule 4.17:**

- *of inventorship (Rule 4.17(iv))*

**(88) Date of publication of the international search report:**

10 April 2008

## INTERNATIONAL SEARCH REPORT

International application No.

PCT/US 07/65347

## A. CLASSIFICATION OF SUBJECT MATTER

IPC(8) - G06F 9/45 (2007.10)

USPC - 717/140

According to International Patent Classification (IPC) or to both national classification and IPC

## B. FIELDS SEARCHED

Minimum documentation searched (classification system followed by classification symbols)  
717/140Documentation searched other than minimum documentation to the extent that such documents are included in the fields searched  
USPC: 707/1, 100; 717/100, 115, 143Electronic data base consulted during the international search (name of data base and, where practicable, search terms used)  
PubWEST: (PGPB,USPT,EPAB,JPAB); Google Scholar  
Search Terms: VXML document, XML document, parse, parsing, generate reference, reference, compile, binary file, object tree, execution speed, store data, stored data, storing data, data storage, cache memory, execution point, C++, application circuit, XAP, application executor

## C. DOCUMENTS CONSIDERED TO BE RELEVANT

Category*	Citation of document, with indication, where appropriate, of the relevant passages	Relevant to claim No.
X -- Y	US 2004/0172254 A1 (SHARMA et al.) 02 September 2004 (02.09.2004), abstract and para [0031], [0034], [0037], [0039]-[0055], [0073], [0075]-[0077], [0089].	1, 3-5, 7, 9-13, 15-17, 19, 21-24, 26-28, 30 and 32-35 ----- 2, 6, 8, 14, 18, 20, 25, 29, 31 and 36
Y	US 2005/0273772 A1 (MATSAKIS et al.) 08 December 2005 (08.12.2005), abstract and para [0017], [0026], [0045], [0097].	2, 14 and 25
Y	US 2004/0083479 A1 (BONDARENKO et al.) 29 April 2004 (29.04.2004), abstract and para [0011], [0134]-[0136], [0149].	6, 18, 29 and 36
Y	US 2005/0125232 A1 (GADD) 09 June 2005 (09.06.2005), abstract and para [0065], [0070], [0101].	8, 20 and 31
A	US 2005/0234727 A1 (CHIU) 20 October 2005 (20.10.2005), entire document, especially abstract and para [0019]-[0025], [0074]-[0081], [0085]-[0092], [0136]-[0138], [0163], [0212].	1-36

 Further documents are listed in the continuation of Box C. 

* Special categories of cited documents:	"T" later document published after the international filing date or priority date and not in conflict with the application but cited to understand the principle or theory underlying the invention
"A" document defining the general state of the art which is not considered to be of particular relevance	"X" document of particular relevance; the claimed invention cannot be considered novel or cannot be considered to involve an inventive step when the document is taken alone
"E" earlier application or patent but published on or after the international filing date	"Y" document of particular relevance; the claimed invention cannot be considered to involve an inventive step when the document is combined with one or more other such documents, such combination being obvious to a person skilled in the art
"L" document which may throw doubts on priority claim(s) or which is cited to establish the publication date of another citation or other special reason (as specified)	"&" document member of the same patent family
"O" document referring to an oral disclosure, use, exhibition or other means	
"P" document published prior to the international filing date but later than the priority date claimed	

Date of the actual completion of the international search

07 November 2007 (07.11.2007)

Date of mailing of the international search report

07 FEB 2008

Name and mailing address of the ISA/US  
Mail Stop PCT, Attn: ISA/US, Commissioner for Patents  
P.O. Box 1450, Alexandria, Virginia 22313-1450  
Facsimile No. 571-273-3201Authorized officer:  
Lee W. YoungPCT Helpdesk: 571-272-4300  
PCT OSP: 571-272-7774