



US00D616417S

(12) **United States Design Patent**
Liao

(10) **Patent No.:** **US D616,417 S**

(45) **Date of Patent:** **** May 25, 2010**

(54) **ELECTRONIC CARD**

(75) Inventor: **Shu-Hua Liao**, Shenzhen (CN)

(73) Assignee: **Hon Hai Precision Industry Co., Ltd.**,
Tu-Cheng, Taipei Hsien (TW)

(**) Term: **14 Years**

(21) Appl. No.: **29/335,390**

(22) Filed: **Apr. 15, 2009**

(30) **Foreign Application Priority Data**

Dec. 30, 2008 (CN) 2008 3 0303522.4

(51) **LOC (9) Cl.** **14-03**

(52) **U.S. Cl.** **D14/203.5**; D14/496; D14/203.7;
D21/329

(58) **Field of Classification Search** D14/496,
D14/155, 160–173, 217, 257, 258, 203.1–203.8;
D21/324, 328, 329; D3/215, 218, 904; 273/148 B;
463/1, 29–35, 46, 47; 369/75.11, 1; 455/344–347;
224/164, 165, 175, 178, 218–221, 929; 368/3,
368/9, 10, 278, 281–285, 155, 276
See application file for complete search history.

(56) **References Cited**

U.S. PATENT DOCUMENTS

5,386,933 A * 2/1995 Greene et al. 224/219
D418,174 S * 12/1999 Jankowski et al. D21/329

D418,879 S * 1/2000 Hornsby et al. D21/329
6,192,253 B1 * 2/2001 Charlier et al. 455/575.7
6,430,110 B2 * 8/2002 Baroche 368/13
6,712,501 B2 * 3/2004 Kinkio et al. 368/281
6,970,157 B2 * 11/2005 Siddeeq 345/168
7,004,469 B2 * 2/2006 von Goeben 273/348
7,106,197 B2 * 9/2006 Gaiotto et al. 340/572.1
D547,328 S * 7/2007 Kin D14/496
D572,206 S * 7/2008 Ikeda et al. D13/168
D586,823 S * 2/2009 Anderson et al. D14/496
D596,647 S * 7/2009 Levy D14/496

* cited by examiner

Primary Examiner—Prabhakar Deshmukh

(74) *Attorney, Agent, or Firm*—Frank R. Niranjan

(57) **CLAIM**

The ornamental design for an electronic card, as shown.

DESCRIPTION

FIG. 1 is a perspective view of an electronic card showing my new design;

FIG. 2 is a front elevational view thereof;

FIG. 3 is a rear elevational view thereof;

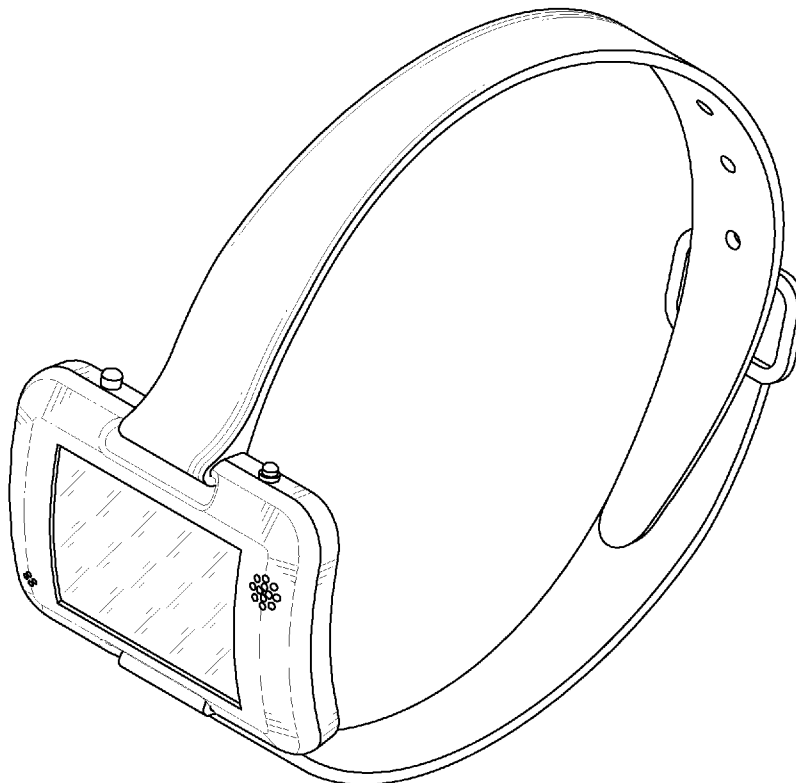
FIG. 4 is a left side elevational view thereof;

FIG. 5 is a right side elevational view thereof;

FIG. 6 is a top plan view thereof; and,

FIG. 7 is a bottom plan view thereof.

1 Claim, 7 Drawing Sheets



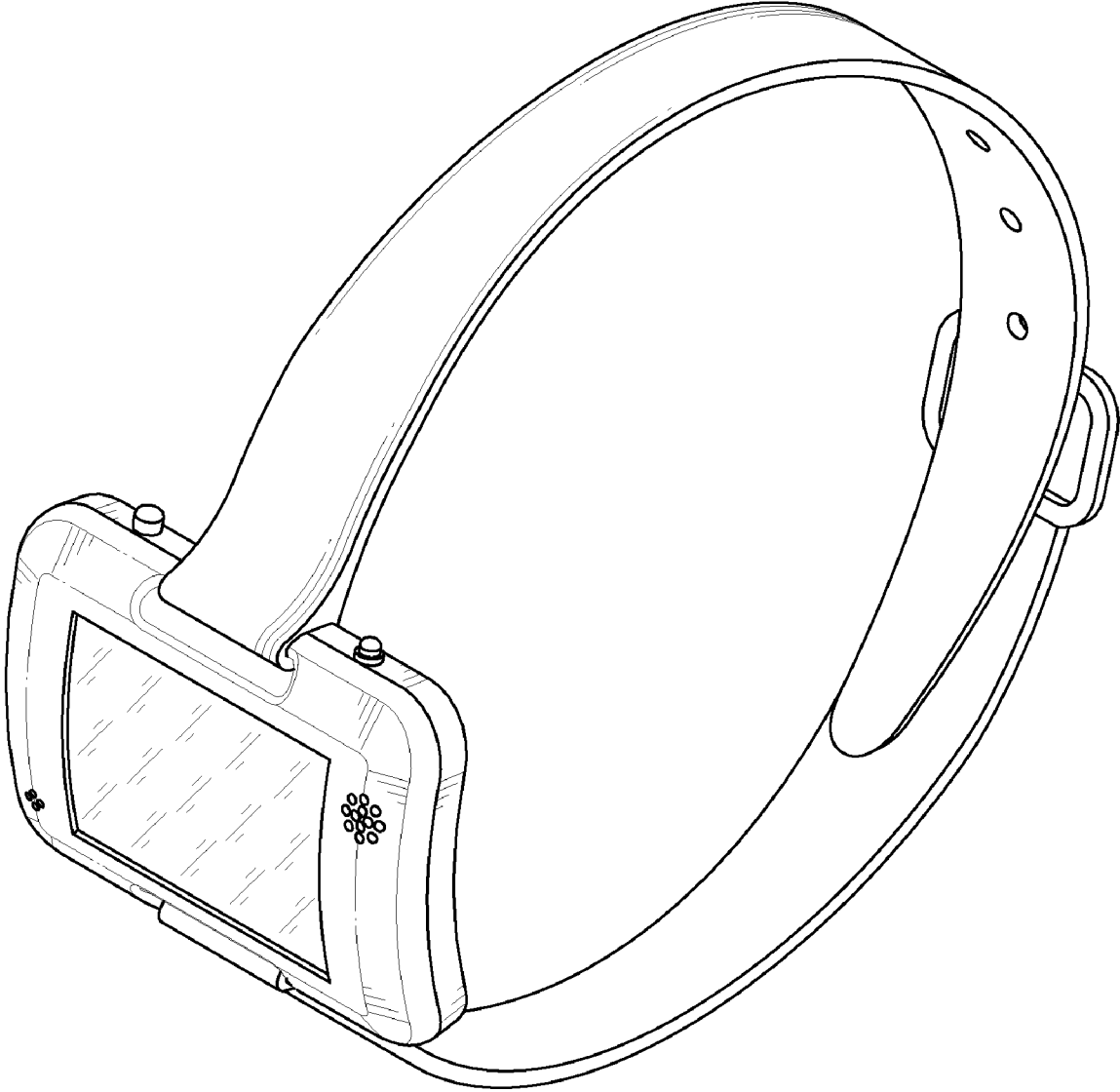


FIG. 1

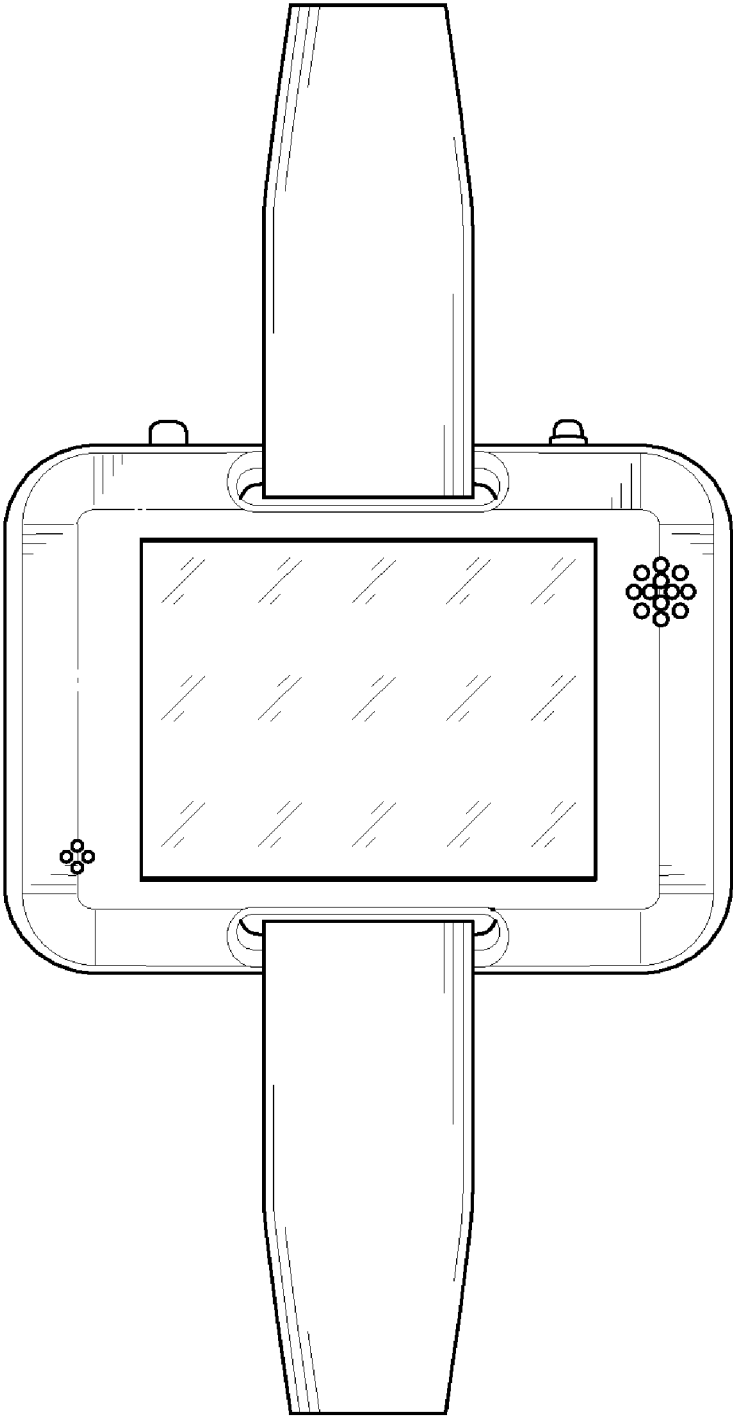


FIG. 2

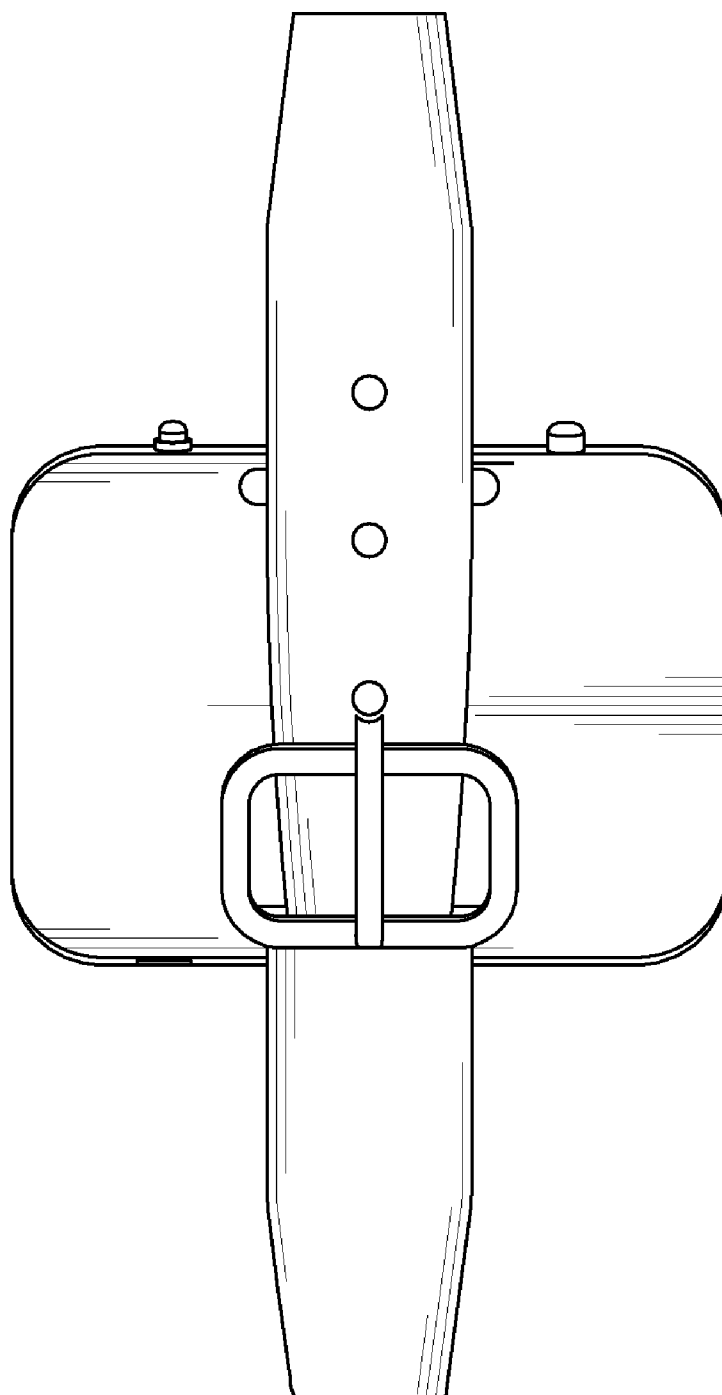


FIG. 3

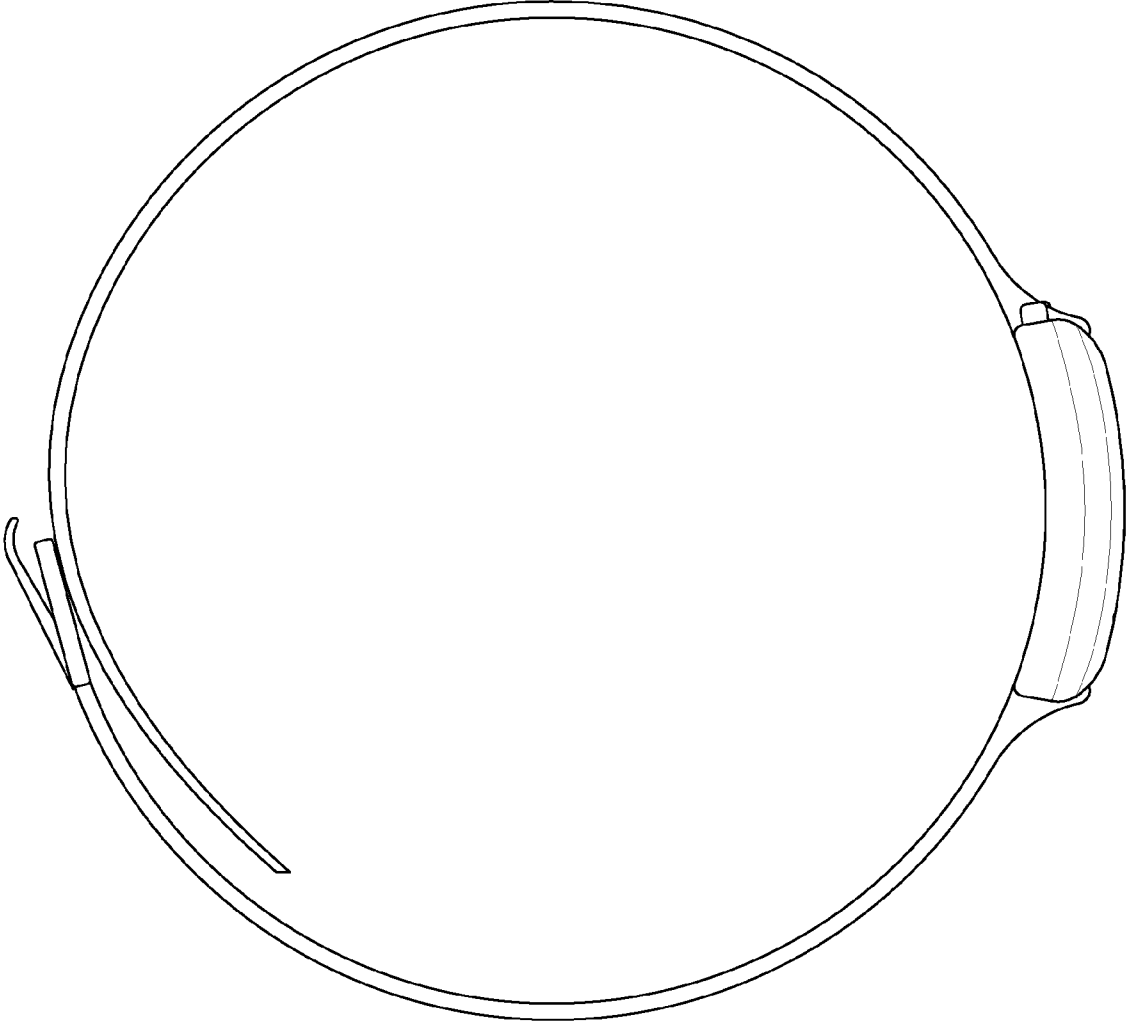


FIG. 4

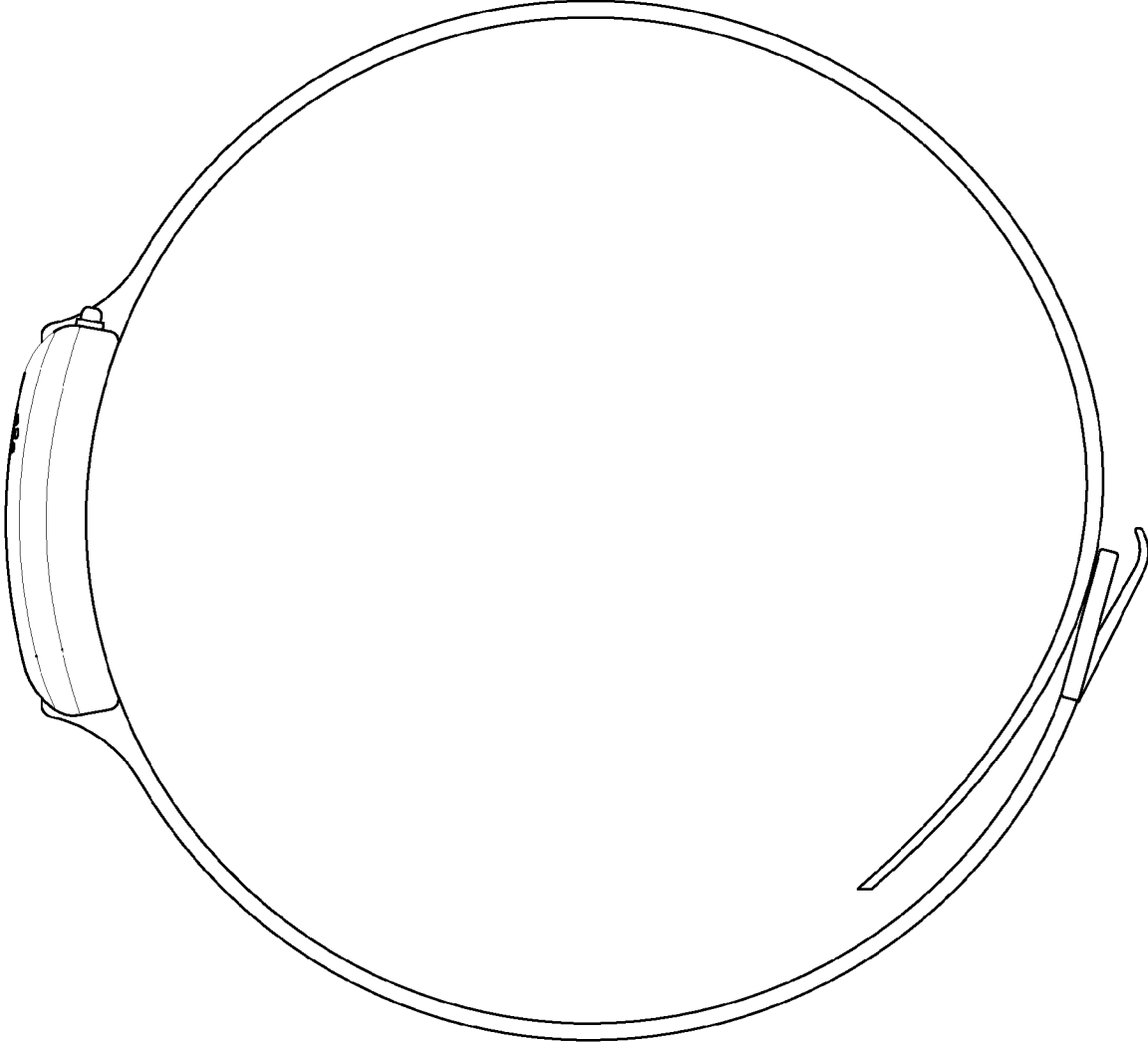


FIG. 5

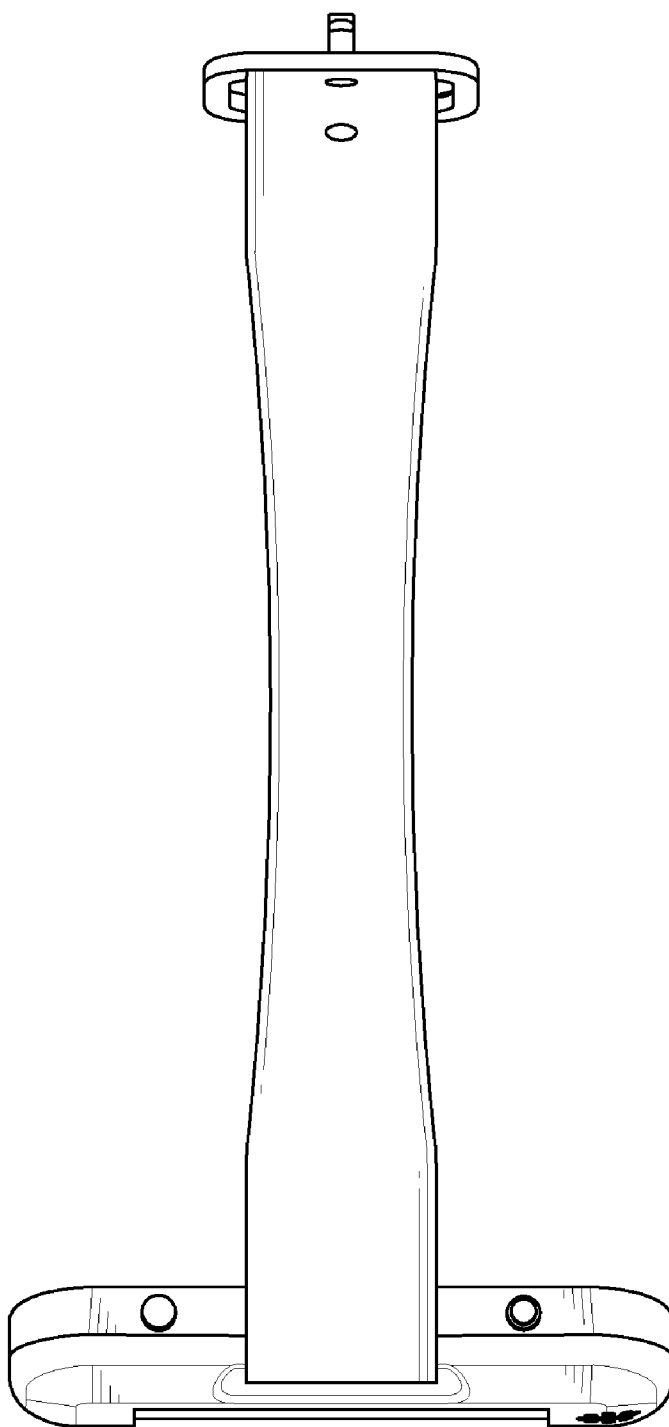


FIG. 6

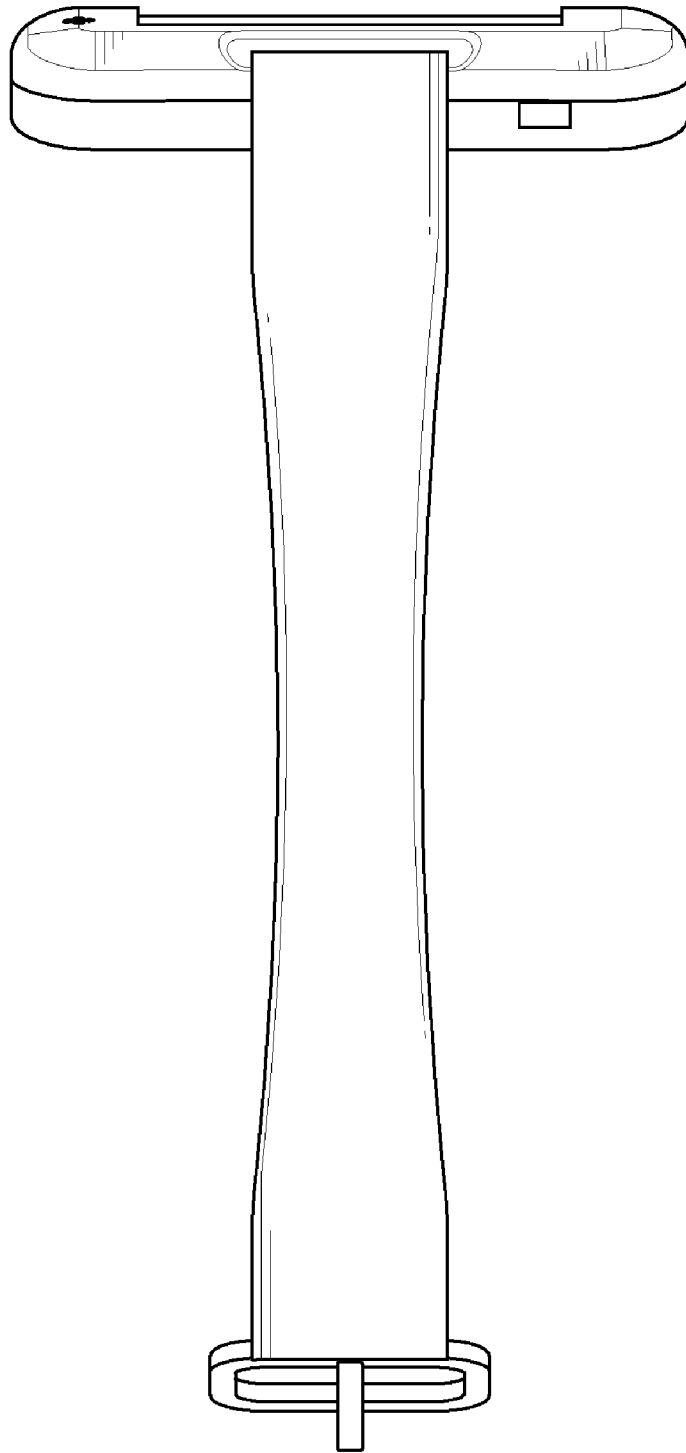


FIG. 7