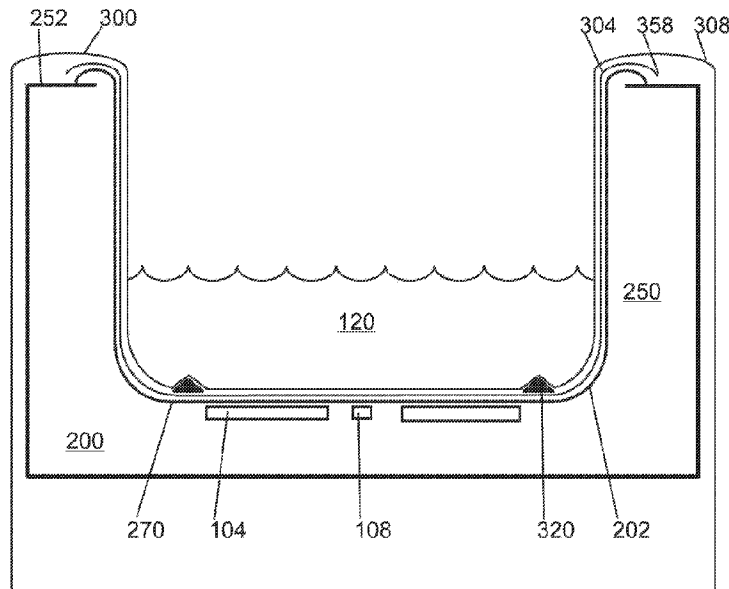




(86) Date de dépôt PCT/PCT Filing Date: 2019/11/15
 (87) Date publication PCT/PCT Publication Date: 2020/05/22
 (45) Date de délivrance/Issue Date: 2023/06/13
 (85) Entrée phase nationale/National Entry: 2022/04/07
 (86) N° demande PCT/PCT Application No.: US 2019/061842
 (87) N° publication PCT/PCT Publication No.: 2020/102747
 (30) Priorités/Priorities: 2018/11/16 (US62/768,721);
 2019/01/04 (US16/240,387)

(51) Cl.Int./Int.Cl. *A61F 7/00* (2006.01),
A61B 50/00 (2016.01), *A61M 5/44* (2006.01)
 (72) Inventeurs/Inventors:
 RACKERS, KEVIN JOSEPH, US;
 WANBAUGH, THOMAS J., US;
 GROZIER, PAUL, US
 (73) Propriétaire/Owner:
 WEG SURGICAL SOLUTIONS, LLC, US
 (74) Agent: R. WILLIAM WRAY & ASSOCIATES

(54) Titre : SYSTEME DE CHAUFFAGE DE SOLUTION STERILE AVEC CHAMP OPERATOIRE STERILE A AUTO-LOCALISATION
 (54) Title: STERILE SOLUTION WARMING SYSTEM WITH SELF-LOCATING STERILE DRAPE



(57) Abrégé/Abstract:

Drapes for covering fluid heating devices having basins. Some drapes have a set of at least one perimeter frame trapped between the drape basin layer and the drape device layer by a set of bonds. The perimeter frame aligns the drape with the basin bottom and maintains the basin layer within a perimeter of the perimeter frame so that the maintained basin layer lacks an air gap caused by a wrinkle and makes good contact with the basin bottom. Optionally, the drape may have a low-slip film for basin contact and a non-slip film for at least a portion of the drape beyond the basin.

ABSTRACT

Drapes for covering fluid heating devices having basins. Some drapes have a set of at least one perimeter frame trapped between the drape basin layer and the drape device layer by a set of bonds. The perimeter frame aligns the drape with the basin bottom and maintains the basin layer within a perimeter of the perimeter frame so that the maintained basin layer lacks an air gap caused by a wrinkle and makes good contact with the basin bottom. Optionally, the drape may have a low-slip film for basin contact and a non-slip film for at least a portion of the drape beyond the basin.

Sterile Solution Warming System with Self-Locating Sterile Drape

BACKGROUND

FIELD OF THE DISCLOSURE

15 **[0002]** This disclosure relates generally to fluid warming for sterile fluids such as sterile saline used in surgical procedures. The fluid warming process uses a sterile drape to separate the sterile fluid from the equipment used to provide heat and to hold the drape and sterile fluid.

[0003] Related Art.

20 **[0004]** The concept for heating sterile liquid is not new. The process was certainly known as far back as 1993 when the application leading to U.S. Patent No. 5,333,326 was filed for a Method and Apparatus for Producing Surgical Slush and Heated Sterile Liquid. The '326 taught a piece of equipment with a heating unit having a warming basin which provided a recessed cavity with an open top. A sterile drape covered the heating basin so
25 that sterile fluid placed in the drape could be maintained as sterile as long as the drape was not ruptured during use. Heat was transferred from a heating element below the basin, through the basin, and ultimately through the drape adjacent to the basin to the sterile liquid.

[0005] PROBLEMS WITH PRIOR ART DESIGNS.

[0006] Basin Hot Spots from Air Gaps.

[0007] Turning to **FIG. 1**, a basin 102 is represented in cross section above a set of one or more heating element 104 and a temperature sensor 108. The heating element 104 may
5 be an annular heating element (as is the case here) or a series of several separate heating elements that are provided with power to add heat when the temperature sensor 108 indicates a temperature below the target temperature (often the temperature corresponding to a slight increase above the core temperature of a patient). Those of skill in the art will recognize that a temperature controller (not shown) may be an intermediary between the
10 temperature sensor 108 and the heating element 104. While the heating element 104 and temperature sensor 108 are shown slightly offset from the basin 102 in order to highlight the differences between components, those of skill in the art will appreciate that the heating element 104 and temperature sensor 108 would be in thermal connection with the metal basin 102.

[0008] **FIG. 2** is an enlarged representation of a portion of **FIG. 1**. For purposes of this introduction, no drape is present. The basin 102 is shown with walls having a thickness. The temperature of the heating element 104 will be elevated until the temperature 166 of the temperature sensor 108 reaches a target temperature. Those of skill in the art will appreciate that while the temperature 154 of the basin just above the heating element 104 may be close to the temperature 150 of the heating element 104, there will be a drop-off in
20 temperature moving along the basin 102. So there may be zones on either side of the heating element 104 at slightly reduced temperature 158 and then further away from the heating element 104 the temperature may be still further reduced to temperature 162. Sufficiently far from the heating element 104, the temperature 170 of the basin 102 will be
25 close to the temperature 174 of the ambient air in the room.

[0009] **FIG. 3** shows **FIG. 2** with liquid 120 added. Assuming the same amount of power delivered to heating element 104, the temperature 172 of heating element 104 would be less as the liquid 120 does a better job conducting heat than does air. Thus, the gradient of the bands of temperature drops off faster than shown in **FIG. 2**. The temperature 176
30 would be less than temperature 172 and would drop off through temperatures 178 and 182. Eventually the temperature of liquid 120 away from the heating element 104 may be

temperature 186 which would be close to the temperature 190 sensed at the temperature sensor 108.

[0010] FIG. 4 shows FIG. 3 with a flexible drape 124 lining the basin 102 and containing liquid 120. The heating element 104 would be sized and powered to quickly
5 bring the typical volume of liquid 120 perhaps 1.5 liters or more from ambient temperature around 70 degrees Fahrenheit to a target temperature 190 as measured at the temperature sensor 108 in the range of 104 degrees Fahrenheit. One of skill in the art will appreciate that the temperature of the volume of liquid will not be uniform. The temperature may vary in the range of plus or minus 2 degrees Fahrenheit in the fluid away from the boundary
10 condition of the heated basin.

[0011] FIG. 5 shows the basin 102 with a flexible drape 124 and the liquid 120. Notice that in FIG. 5, there is a sizable gap between the flexible drape 124 and the vertical wall of the basin 102. An air gap 128 remains even after the addition of the liquid 120. FIG. 6 shows a close up of the air gap area of FIG. 5.

[0012] The difference in heat conduction between the air gap 128 and the fluid filled flexible drape 124 is significant. This causes temperature gradients throughout the system. Within the heating element 104 there will be a temperature gradient from a higher temperature 130 down through temperatures 132 and 134 to cooler temperature 138 as that side of the heating element 104 gives off heat more rapidly to the flexible drape 124 filled
20 with liquid 120 than the other side of the heating element 104. There will be a temperature gradient across the flexible drape 124. The temperature of the flexible drape 124 will be highest near the heating element 104 and will drop further away from the heating element 104. So the temperatures may range from a high of temperature 140 through temperatures 142, 144, and 148. Likewise the temperature of the liquid 120 above the
25 flexible drape 124 will have a gradient from a high of temperature 150 down through temperatures 152, 156 and 158.

[0013] In the air gap 128, the basin 102 will reflect the higher temperature end of heating element 104 but will have some drop-off in temperature from a high of temperature 160 downward through temperatures 161, 162, 163, and 164.

[0014] Just as putting a pot of water half on and half off an electric burner will cause the portions of the electric burner not under the pot to glow red, the portion of the heating
30

element 104 under the air gap 128 may get significantly hotter than the portion of the heating element 104 under the flexible drape 124 and liquid 120. As the control system is providing a lot of power to rapidly take the liquid 120 from 70 degrees Fahrenheit to over 100 degrees Fahrenheit, the portion of the heating element 104 under the air gap may approach 400 degrees Fahrenheit as the temperature sensor 108 is indicating that the liquid 120 needs substantially more heat.

[0015] While it is a severe problem if the air gap extends all the way out to the temperature sensor 108 there is a problem even with a smaller air gap that does not extend all the way to the temperature sensor. The controller for the heating system applies power to the heater in response to the temperature measured at the temperature sensor 108. This power is applied to the heating element 104. If there the heat from the heater is not flowing into the liquid 120 as intended, there can be a local hot spot on the basin 102 above the heating element 104. This local hot spot could pose a risk to the flexible drape 124 if the temperature of the basin 102 above the heating element 104 exceeds the softening temperature of the flexible drape 124 and the flexible drape 124 is suddenly put into contact with the hot portion of the basin 102 to allow the flexible drape 124 to be heated above the softening temperature for the flexible drape 124, thus increasing the risk of a puncture of the flexible drape 124.

[0016] The flexible drape 124 may be made of polyurethane with a softening temperature of 300 degrees to 330 degrees Fahrenheit. Placement of an instrument into the liquid 120 in the flexible drape 124 may move a portion of the flexible drape 124 to make contact with the basin 102 adjacent to the air gap 128 which would subject that portion of the flexible drape 124 to a temperature excursion as that portion of the flexible drape 124 contacts the hot metal basin 102. A temperature excursion that takes any portion of the flexible drape 124 above the softening point for the flexible drape 124 produces a risk that the flexible drape may develop a leak as the instrument pushes against softened drape material. While liquid 120 that leaks out of the flexible drape 124 will be contained in the basin 102, the breach in the flexible drape 124 will mean the non-sterile surface of the basin 102 will be exposed to the liquid 120 and thus pose risks for any patient exposed to non-sterile liquid erroneously believed to be sterile and suitable for use in a surgical procedure or to rinsed surgical instruments to be reused within that surgical procedure.

[0017] This risk is elevated given that many instruments used in surgical procedures are metallic and have sharp surfaces.

[0018] Note that while the air gap 128 was shown close to one vertical wall of the basin 102, the air gap 128 could be away from the perimeter of the basin 102 as an excess of flexible drape 124 may initially exist in the interior portion of the basin 102. If this excess is not removed by stretching out the flexible drape 124 an elongated wrinkle in the flexible drape 124 may be held in place after the addition of liquid 120. To the extent that the elongated wrinkle passes over or adjacent to a heating element 104, there is a risk that the temperature of the basin 102 between the heating element 104 and the air gap 128 in the wrinkle may go much higher than the temperature of the basin 102 between the heating element 104 and the portions of the flexible drape 124 without any air gap 128. This could lead to the same risk of softening a portion of the flexible drape 124 by the unusually hot portion of the basin 102. Those of skill in the art will appreciate that the risk of an unusually hot portion of the basin 102 will increase when the air gap 128 is larger than a small air gap caused by a wrinkle.

[0019] Efforts by the surgical staff to maintain placement of the flexible drape 124 within the basin 102 without air gaps or other wrinkles of the flexible drape 124 have led some staff members to hold the flexible drape 124 flat while pouring a first container of liquid 120 into the drape. While this extra effort by the surgical staff is commendable, the problems with the prior art solution that encourage staff to make extra efforts are not desirable. The surgical staff may also place a heavy object on the flexible drape 124 to hold the surgical drape 124 in place, however, a heavy object like a metal pitcher of liquid can give artificially low temperature readings at the temperature sensor 108 if the pitcher is placed over the temperature sensor 108. An incorrect low reading by the temperature sensor 108 could cause additional problems if there are air gaps because the controller will drive more power to the heaters and thus more heat into the system.

[0020] For context, it is useful to note that while many hospitals may use warmed containers of sterile saline at approximately 85 degrees Fahrenheit to reduce the time to heat the saline to 104 degrees Fahrenheit, hospitals will want the heater system to be able to quickly warm a bottle of saline at operating room ambient temperature (possibly 67 degrees

Fahrenheit). Thus, the heater systems are capable of providing a significant amount of energy to heat cool liquids quickly to 104 degrees Fahrenheit.

[0021] Contaminated Drapes From Initial Misalignment of Flexible Drape with Basin.

5 **[0022]** A second failure of a flexible drape is the failure to center the flexible drape over the recessed basin 102. When a flexible drape is delivered for use, the flexible drape is initially sterile on both sides of the flexible drape. As the flexible drape is unfolded, the drape is positioned to cover a top surface of the heating device, including the recessed basin 102. The flexible drape 124 also extends downward along the sides of the heating
10 device but only a portion of the way from the top surfaces of the heating device towards the floor.

[0023] One of the purposes of the flexible drape 124 is to cover the non-sterile surfaces of the heating device around the basin. To the extent that the flexible drape 124 is not centered upon the heating device, then non-sterile portions of the side of the heating device
15 may be uncovered and pose a risk of contamination to the medical staff moving in proximity to the heating device. In an extreme case, the flexible drape 124 may touch the floor which is non-sterile but this would be an extreme case.

[0024] To the extent that the flexible drape 124 is initially unfolded so that the intended upper side of the flexible drape 124 is placed upside down so that the intended upper side of
20 the flexible drape 124 touches the non-sterile heating device, then the flexible drape 124 cannot be safely turned over and must be used outside of the intended orientation or discarded. If the topside of the flexible drape 124 touches a non-sterile surface the flexible drape 124 should be disposed of and a new flexible drape 124 applied. The flexible drape 124 application technique is therefore critical, and the accurate initial placement of
25 the flexible drape to the basin 102 is an important part of the procedure.

[0025] Punctures of Flexible Drape from Rough Treatment.

[0026] Given the focus of the surgical team on the patient, it is possible that instruments may be placed in the basin 102 covered by the flexible drape without total focus on the
30 placement from time to time. Dropping a surgical instrument even a short distance into the basin 102 covered with flexible drape 124 may lead to a puncture or other damage to the

flexible drape 124, even if there is not an air gap 128 causing a hot spot on the basin 102. One solution is to control the temperature to ensure the flexible drape 124 does not approach the softening temperature; another solution is to have a second layer of flexible drape for the portion of the flexible drape that is within the basin. While this solution
5 reduces the risk of a breach of the flexible drape, this solution heightens the need to align the flexible drape with some precision relative to the inner perimeter of the basin 102.

[0027] United States Patent No. 8,148,666 for Method and Apparatus for Protecting Sterile Drapes in Surgical Thermal Treatment Centers taught the addition of plates that can
10 be placed above the drape in the basin. The plate protects the drape against punctures or tears when objects are placed in a receptacle formed by the drape within a basin. Figure 8 of the '666 patent shows a plate that is retained in a three-sided pocket. Unlike the perimeter frame with the open window of the present application, these plates provided surfaces to suspend objects above the draped basin. The movement of the objects away
15 from the heated basin would slow the transfer of heat relative to a drape that was properly positioned in the basin. Further, the '666 does not teach use of a perimeter frame that works to prevent wrinkles in the drape that would add an air gap between the heated basin and the drape. As noted above, an air gap above a portion of the heated basin can lead to local basin temperatures that could damage the drape if the drape makes belated contact with the hot
20 spot on the basin.

[0028] Published United States Patent Application No. 20120244327 for Films and Articles Prepared from Same teaches a film with two layers. The two layers have different coefficients of friction so that the bottom face of the film has a low coefficient of friction which facilitates rapid processing of the film to wrap items and the top face of the two layer
25 film has a higher coefficient of friction which makes it easier to form stable stacks of items that have been wrapped with the high coefficient of friction on the outside of the wrapping. The present application has a drape with a center region with a low coefficient of friction to facilitate the drape lying flat on the basin bottom and an area of high coefficient of friction to help the drape maintain position on the fluid heating device. The '327 application does
30 not teach an island of low friction material surrounded by a sea of high friction material as the '327 was addressing a different use case for that film.

[0029]

5 [0030] Unless explicit to the contrary, the word “or” should be interpreted as an inclusive or rather than an exclusive or. Thus, the default meaning of or should be the same as the more awkward and/or.

[0031] Unless explicit to the contrary, the word “set” should be interpreted as a group of one or more items.

10 [0032] Frequently, when describing an industrial process, it is useful to note that a given parameter is substantially met. Examples may be substantially parallel, substantially perpendicular, substantially uniform, and substantially flat. In this context, substantially X means that for purposes of this industrial process it is X. So something that may not be absolutely parallel but is for all practical purposes parallel is substantially parallel.

15 Likewise, mixed air that has substantially uniform temperature would have temperature deviations that were inconsequential for that industrial process.

20

SUMMARY OF THE DISCLOSURE

25

[0035] Some aspects of the teachings of the present disclosure may be expressed as a drape for covering an interior of a basin and at least a top of a fluid heating device. The
30 fluid heating device basin having an upper side defining a cavity for receipt of a fluid to be heated. The upper side of the basin having a basin bottom and a set of basin sidewalls

running from the basin bottom to the top of the fluid heating device. The drape having a basin layer. The basin layer sized sufficiently to cover at least the basin bottom. The drape also having a device layer sized sufficiently to cover the top of the fluid heating device and extend downward around a perimeter of the fluid heating device while a portion of the device layer is in proximity to the basin. The drape also having a set of at least one positioning component trapped between the basin layer and the device layer by a set of bonds between the basin layer and the device layer. The set of at least one positioning component sized and located to fit within a perimeter defined by the set of basin sidewalls to substantially center the basin layer on the basin bottom. The set of bonds between the basin layer and the device layer arranged to allow egress of air from between the basin layer and device layer so a volume of air between the basin layer and the device layer is reduced when liquid is placed onto the drape after the drape is positioned to cover the basin and the fluid heating device.

[0036] The drape may be created with the basin layer having a lower coefficient of film-to-film kinetic friction than does the device layer so that the basin layer may slip into position within the basin and the device layer tends to limit unintended lateral movement of the drape relative to the fluid heating device.

[0037] Some aspects of the teachings of the present disclosure may be expressed as a single layer drape with a set of at least one positioning component sized and located to fit within a perimeter defined by the set of basin sidewalls to substantially center the basin portion on the basin bottom.

[0038] Some aspects of the teachings of the present disclosure may be expressed as a method of covering a fluid heating device with a cavity defined by a basin. The method including placing a drape over top of a fluid heating device while inserting a set of at least one positioning component into an interior of the basin onto a bottom of the basin. The set of at least one positioning component connected to the drape and sized relative to a perimeter of the bottom of the basin to substantially limit a range of possible locations for the drape when the set of at least one positioning component is placed within the perimeter of the basin. The method further including adding a volume of a fluid to the basin so that

the fluid rests on the drape without making contact with the basin. As the drape is adapted to allow air located below an upper surface of the drape and above the bottom of the basin to move during an addition of a liquid to reduce an amount of air located below the upper surface of the drape and above the bottom of the basin, adding the volume of fluid causes movement of air. The method further including adding heat to the bottom of the basin to allow heat to pass through the drape and into the liquid. The method further including monitoring at least one temperature of the basin and controlling the heat added to the basin based upon the at least one temperature of the basin to maintain the liquid within a desired range of a selected target temperature.

10

[0039] Some aspects of the teachings of the present disclosure may be expressed as a drape for covering an interior of a basin and at least a top of a fluid heating device. The basin having an upper side defining a cavity for receipt of a fluid to be heated. The upper side of the basin having a basin bottom and a set of basin sidewalls running from the basin bottom to the top of the fluid heating device. The drape having a basin layer sized sufficiently to cover at least the basin bottom. The basin layer having a coefficient of film-to-film kinetic friction of less than 0.20 to allow the drape to slip into place on the basin bottom with a reduced risk of air-trapping wrinkles. The drape has a device layer which is partially covered on a lower side of the device layer by the basin layer which is smaller than the device layer. The device layer is sized sufficiently to cover the top of the fluid heating device and extend downward around a perimeter of the fluid heating device while a portion of the device layer is in proximity to the basin. In contrast to the basin layer, the device layer having a coefficient of film-to-film kinetic friction of more than 0.50 to help prevent unintended movement of the drape relative to the fluid heating device.

25

[0040] Some aspects of the teachings of the present disclosure may be expressed as a drape for covering an interior of a basin and at least a top of a fluid heating device. The basin having an upper side defining a cavity for receipt of a fluid to be heated. The upper side of the basin having a basin bottom and a set of basin sidewalls running from the basin bottom to the top of the fluid heating device. The drape having a sterile vented barrier sized sufficiently to cover the upper side of the basin. The drape also having a device layer sized

30

sufficiently to cover the top of the fluid heating device and extend downward around a perimeter of the fluid heating device while a portion of the device layer is in proximity to the basin. The device layer having a basin opening so that fluids may be poured through the basin opening into a portion of the sterile vented barrier located below the device layer and above the basin. The sterile vented barrier connected to the device layer so that the drape may be used to cover the basin and the top of the fluid heating device. The sterile vented barrier having a set of at least one vent to allow air from within the basin to pass through the vent and out of the basin above the fluid heating device and below the drape as the sterile vented barrier is inserted into the basin.

10

[0041] Some aspects of the teachings of the present disclosure may be expressed as a heating system for applying power to a draped basin containing liquid above a drape. The heating system having at least a first heating element in thermal contact with an underside of a basin. The heating system having at least one temperature sensor monitored by a controller that regulates a flow of electricity sent to the first heating element for use in creating heat. The heating system having at least a first air gap detector located on at the first heating element. The first air gap detector monitoring heat on a portion of the underside of the basin in proximity to the first air gap detector. The first air gap detector acting in response to a temperature above a first high setpoint temperature by interrupting the flow of electricity sent to the first heating element. The first air gap detector continuing the interruption of the flow of electricity sent to the first heating element until detecting a temperature below a first reset setpoint temperature which is less than the first high setpoint temperature. The heating system acting when there is an air gap above the first air gap detector and above the basin but below the drape containing liquid. The action by the heating system protects from a severe temperature excursion by the interruption of the flow of electricity sent to the first heating element.

[0042] Some aspects of the teachings of the present disclosure may be expressed as a method for preventing a temperature excursion on a portion of a draped basin containing a liquid above a drape covering a basin. The method including adding a liquid to a draped basin. The method including using an output from a temperature sensor to determine an

30

amount of electricity provided to a heating element in thermal connection with at least a portion of an underside of the draped basin. The method also including causing an interruption of the electricity provided to the heating element when a temperature sensed at an air gap detector exceeds a high temperature setpoint.

5

[0043] Some aspects of the teachings of the present disclosure may be expressed as a drape for covering an interior of a basin and at least a top of a fluid heating device. The basin having an upper side defining a cavity for receipt of a fluid to be heated. The upper side of the basin having: a basin bottom; a set of basin sidewalls running from the basin bottom to the top of the fluid heating device; and a basin bottom perimeter defined by the set of basin sidewalls intersecting the basin bottom. The drape having:

- a device layer sized sufficiently to cover the top of the fluid heating device and extend downward around a perimeter of the fluid heating device while a portion of the device layer is in proximity to the basin;
- a basin layer sized sufficiently to cover at least the basin bottom; the basin layer separate from the device layer and positioned below a portion of the device layer;
- a perimeter frame trapped between the basin layer and the device layer by a set of bonds between the basin layer and the device layer; wherein the perimeter frame is sized slightly smaller than the basin bottom perimeter;

20

[0044] The trapped perimeter frame serving to

- substantially center the basin layer on the basin bottom; and
- maintain the basin layer within a perimeter of the perimeter frame so that the maintained basin layer lacks an air gap caused by a wrinkle and makes good contact with the basin bottom.

25

[0045] The set of bonds between the basin layer and the device layer arranged to allow egress of air from between the basin layer and device layer so a volume of air between the basin layer and the device layer is reduced when liquid is placed onto the drape after the drape is positioned to cover the basin and the fluid heating device.

[0046] The basin layer combines with the device layer to provide a two-layer drape over the basin bottom to reduce a risk of drape puncture from surgical instruments dropped into

30

the draped basin. The perimeter frame having an open window devoid of frame material, the open window of sufficient size to allow a metal pitcher to be placed within the open window to allow heat to flow from a heating element through a conduction path comprising: the basin bottom, the basin layer, the device layer, and a bottom of the metal pitcher.

5

[0047] This summary is meant to provide an introduction to the concepts that are disclosed within the specification without being an exhaustive list of the many teachings and variations upon those teachings that are provided in the extended discussion within this disclosure. Thus, the contents of this summary should not be used to limit the scope of the claims that follow.

10

[0048] Inventive concepts are illustrated in a series of examples, some examples showing more than one inventive concept. Individual inventive concepts can be implemented without implementing all details provided in a particular example. It is not necessary to provide examples of every possible combination of the inventive concepts provided below as one of skill in the art will recognize that inventive concepts illustrated in various examples can be combined together in order to address a specific application.

15

[0049] Other systems, methods, features and advantages of the disclosed teachings will be immediately apparent or will become apparent to one with skill in the art upon examination of the following figures and detailed description. It is intended that all such additional systems, methods, features and advantages be included within the scope of and be protected by the accompanying claims.

20

BRIEF DESCRIPTION OF THE FIGURES

[0050] The disclosure can be better understood with reference to the following figures. The components in the figures are not necessarily to scale, emphasis instead being placed upon illustrating the principles of the disclosure. Moreover, in the figures, like reference numerals designate corresponding parts throughout the different views.

25

[0051] FIG. 1 shows a cross section of a prior art fluid heating device.

[0052] FIG. 2 is an enlarged representation of a portion of FIG. 1.

30

[0053] FIG. 3 shows FIG. 2 with liquid added.

[0054] FIG. 4 shows FIG. 3 with a flexible drape lining the basin and containing liquid.

- [0055] FIG. 5 shows the basin with a flexible drape and the liquid and an air gap.
- [0056] FIG. 6 shows a close up of the air gap area of FIG. 5.
- [0057] FIG. 7 introduces a new fluid heating device 200 seen here in a top and side perspective view with basin 202 recessed in a cavity in the upper portion 250 of the fluid heating device 200.
- 5 [0058] FIG. 8 is a top view of the upper portion 250 of the fluid heating device 200 showing the top view of the basin 202.
- [0059] FIG. 9 is a cross section of the basin 202.
- [0060] FIG. 10 is a top view of drape 300.
- 10 [0061] FIG. 11 shows the various layers that form drape 300.
- [0062] FIG. 12 is an enlarged cross section of the perimeter frame shown in FIG. 10.
- [0063] FIG. 13 is a cross section of a fluid heating device 200 that has been covered by a drape 300 with a perimeter frame 320.
- [0064] FIG. 14 shows an enlarged portion of the drape 300.
- 15 [0065] FIG. 15 shows a bottom perspective view of basin 202.
- [0066] FIG. 16 shows a bottom perspective view of rectangular basin 402.
- [0067] FIG. 17 is a flowchart of a process 1000 for using a drape 300 in a basin 202 in a fluid heating device 200.
- [0068] FIG. 18 shows a top and side perspective view of fluid heating device 400 with a rectangular basin 402 in top portion 410 which is connected by intermediate portion 254 to base 258.
- 20 [0069] FIG. 19 is a top view of a drape 450 for use with fluid heating device 400.
- [0070] FIG. 20 shows a perimeter frame 470 shaped to fit within the perimeter of the basin bottom 404 and position the drape 450 with respect to the rectangular basin 402.
- 25 [0071] FIG. 21 is an enlarged view of a portion of drape 450.
- [0072] FIG. 22 shows that the top portion 410 of a fluid heating device 400 such as shown in FIG. 18 could be side mounted to a slush-making device 500.
- [0073] FIG. 23 shows a top view of a dual-use drape 550 for use with the device of FIG. 22.

- [0074] FIG. 24 shows top perspective view of a basin 202 and a round basin reticle 390 that would be placed in a drape 300 to use as a non-perimeter positioning device to help position the drape 300 within the basin 202.
- [0075] FIG. 25 shows a top perspective view of a rectangular basin 402 with a rectangular basin reticle 490 that would be placed in a drape 450 to use as a non-perimeter positioning device to help position the drape 450 within the rectangular basin 402.
- [0076] FIG. 26 shows an alternative drape 600 for use in round basin 202 instead of drape 300 discussed above.
- [0077] FIG. 27 shows a top perspective view of just the round basin portion 610 from FIG. 26.
- [0078] FIG. 28 shows an alternative drape 700 for use in rectangular basin 402 instead of drape 450 discussed above.
- [0079] FIG. 29 shows a top perspective view of just the rectangular basin portion 710 seen in FIG. 28.
- [0080] FIG. 30 is a top perspective view of the round basin portion 610 of drape 600. Element 610 may be called a sterile vented barrier for use in a round basin.
- [0081] FIG. 31 is an enlarged view of the round basin portion 610 shown in FIG. 30.
- [0082] FIG. 32 is a top plan view of the round basin portion 610.
- [0083] FIG. 33 is a bottom plan view of the round basin portion 610.
- [0084] FIG. 34 is a top side perspective view perspective view of the round basin portion 610.
- [0085] FIG. 35 is a bottom side perspective view perspective view of the round basin portion 610.
- [0086] FIG. 36 is a side plan view of the round basin portion.
- [0087] FIG. 37 is a downward view of the cross-section shown in FIG. 36 taken below the rim.
- [0088] FIG. 38 is an enlarged section from FIG. 37 showing the shape of a vent.
- [0089] FIG. 39 is a side view of a cross-section indicated on FIG. 32.
- [0090] FIG. 40 in an enlarged portion of FIG. 39 showing a cross section of a vent.
- [0091] FIG. 41 is a top perspective view of the rectangular basin portion 710 of drape 700. Element 710 may be called a sterile vented barrier for use in a rectangular basin.

[0092] FIG. 42 is an enlarged view of the rectangular basin portion 710 from FIG. 41.

[0093] FIG. 43 is a bottom side perspective view of the rectangular basin portion 710.

[0094] FIG. 44 is a top plan view of the rectangular basin portion 710.

[0095] FIG. 45 is a bottom plan view of the rectangular basin portion 710.

5 [0096] FIG. 46 is a right side elevation view of the rectangular basin portion 710. The left side elevation view being the same as this side elevation view.

[0097] FIG. 47 is a front elevation view of the rectangular basin portion 710. The rear elevation view being the same as this front elevation view.

10 [0098] FIG. 48 shows the same view as FIG. 42 but of a cross section taken below the flange 718 to show details of vents 714.

[0099] FIG. 49 provides an illustration of a rectangular perimeter frame 1470 with gaps 1472 and 1474 so that rectangular perimeter frame 1470 has piece 1476 and piece 1478.

15

DETAILED DESCRIPTION

[00100] The presently disclosed subject matter is described with specificity to meet statutory requirements. However, the description itself is not intended to limit the scope of
20 this patent. Rather, the inventors have contemplated that the claimed subject matter might also be embodied in other ways, to include different steps or elements similar to the ones described in this document, in conjunction with other present or future technologies. Moreover, although the term "step" may be used herein to connote different aspects of methods employed, the term should not be interpreted as implying any particular order
25 among or between various steps herein disclosed unless and except when the order of individual steps is explicitly described.

[00101] FIG. 7 introduces a new fluid heating device 200 seen here in a top and side perspective view with basin 202 recessed in a cavity in the upper portion 250 of the fluid heating device 200. An intermediate portion 254 such as a pole connects the upper
30 portion 250 to the lower base 258 which may have a set of wheel assemblies 262 to allow for movement of the fluid heating device 200.

[00102] FIG. 8 is a top view of the upper portion 250 of the fluid heating device 200 showing the top view of the basin 202. The inner perimeter 280 of the basin bottom 270 is visible in FIG. 8.

[00103] FIG. 9 is a cross section of the basin 202. The basin bottom 270, basin sidewalls 274, and flared basin rim 278 are visible in this view. The flared basin rim 278 would extend onto the top surface of the upper portion 250 beyond the cavity in the upper portion 250 that holds the basin 202. The basin 202 may be affixed to the upper portion 250 and not intended for removal by end users.

10 [00104] Dual Layer Drape with Centering Frame.

[00105] FIG. 10 is a top view of drape 300. FIG. 11 shows the various layers that form drape 300. The drape 300 is formed of a bottom layer 304 that is sized to line the basin 202 including basin bottom 270 and at least most of the basin sidewalls 274. The bottom layer 304 may optionally extend to cover the flared basin rim 278 and a small portion of the top of the fluid heating device 200.

[00106] Above the bottom layer 304 is a perimeter frame 320 sized to fit on the basin bottom 270 and within the perimeter defined by the connection of the basin sidewalls 274 to the basin bottom 270. The perimeter frame 320 provides several benefits.

- The perimeter frame 320 ensures correct alignment of the drape 300 to the basin 202 and thus to the fluid heating device 200.
- The perimeter frame 320 not only assists in initial alignment but serves to maintain the proper position of the drape 300 relative to the basin 202 and fluid heating device 200 as small forces on the drape 300 are not able to force the perimeter frame 320 from the proper position within the perimeter of the bottom surface of the basin 202.
- The perimeter frame 320 also ensures that effective heat transfer takes place without large air pockets developing to inhibit heat transfer from the basin 202 to the drape 300.
- A second consequence of not having air pockets is the avoidance of hot spots on the surface of the basin 202 which could lead to a thermal excursion of drape

material above the softening temperature if the drape material above an air pocket suddenly is repositioned to make contact with a hot spot on the basin 202.

5 [00107] Above the perimeter frame 320 is a top layer 308 which is sized to cover not only the basin 202 but also the top surface 252 of the upper portion 250 of the fluid heating device 200 including the sides of the upper portion 250. The top layer 308 may be sized so that the top layer extends down approximately eighteen inches below the top surface 252 of the upper portion 250.

10 [00108] A cross section of FIG. 10 is shown in FIG. 12. In FIG. 12 an enlarged cross section of a portion of the perimeter frame 320 is shown above bottom layer 304 and below top layer 308. The bottom side 324 of the perimeter frame 320 is flat to help the perimeter frame 320 and bottom layer 304 lay flat on the basin bottom 270. The perimeter frame 320 is shown here with rounded corners 322, with sloped faces 326 leading to a flat top 328. Other cross sections are possible such as replacing the flat top 328 with a rounded surface.

15 [00109] Note that the image in FIG. 12 is enlarged so the air gap 330 defined by the rounded corner 332 of the perimeter frame 320 and the bottom layer 304 and top layer 308 are enlarged. As there are bonding locations 340 joining the bottom layer 304 to the top layer 308 both inside and outside of the perimeter frame 320, there is not relative motion of the top layer 308 relative to the bottom layer 304, thus the air gap 330 does not collapse under weight of the liquid 120. It is important to note that the size of this air gap 330 is relatively small, perhaps not more than 70 thousandths of an inch of maximum height. Having less of a rounded edge to the perimeter frame 320 could further reduce the size of the air gap 330 but the perimeter frame 320 may serve as a thermal insulator so expanding the footprint of the perimeter frame 320 to decrease the air gap may not improve thermal performance.

25 [00110] The perimeter frame 320 may be made of a suitable polymer such as polypropylene, ABS, or polycarbonate. The perimeter frame 320 would be sterilized, most likely during the sterilization of the drape assembly. Ideally the surfaces of the perimeter frame 320 would have sufficient texture so that air may pass between the perimeter frame 320 and the top layer 308 and between the perimeter frame 320 and the bottom layer 304 to allow air to pass from between the bottom layer 304 and top layer 308 when liquid 120 is added to the draped basin 202. If necessary, the perimeter frame 320 may be

30

made with ribs to promote the passage of air between the perimeter frame 320 and the bottom layer 304 and between the perimeter frame 320 and top layer 308. Through holes in the perimeter frame 320 to allow venting would be another option although this may prolong the sterilization process.

5

[00111] Differences in Drape Layer Textures.

[00112] FIG. 13 is a cross section of a fluid heating device 200 that has been covered by a drape 300 with a perimeter frame 320. Visible in FIG. 13 are a basin 202 which is in proximity to two heating elements 104 (possibly an annular shaped heating element) with a temperature sensor 108. A drape 300 with a bottom layer 304 and a top layer 308 has a perimeter frame 320 trapped in place by a set of bonding locations 340 (not shown here). The top layer 308 spills out over the top surface 252 of the fluid heating device 200. The bottom layer 304 is smaller than the top layer 308 and thus defines an overlapped portion 358. In order to show the top layer 308 as distinct from the bottom layer 304, the drawing includes gaps between the two layers which would not be present after the addition of liquid 120 as air would move outward as the bonding locations 340 are in a pattern that does not block the movement of air away from the basin bottom 270.

[00113] The bottom layer 304 of the drape 300 may be slick so that the bottom layer 304 slides into proper position within the basin 202 with minimal resistance and reduced risk of wrinkles on the basin bottom 270. Conversely, the bottom side of the top layer 308 of the drape 300 may be non-slick so that the drape 300 once positioned on the basin 202 and fluid heating device 200 has additional resistance to movement out of position due to the interaction between the bottom side of the top layer 308 and the top surface 252 of the upper portion 250 of the fluid heating device 200. The non-slick property of the top layer 308 may be a property of the drape material and not the product of an added layer of low tack adhesive.

[00114] Bottom layer 304 is sized so that once the bottom layer 304 is in place the bottom layer 304 extends slightly over the top of the metal basin 202 but not over much of the top surface 252 of the upper portion 250 of the fluid heating device 200. When the drape 300 is initially flat and at the top of the fluid heating device 200 (i.e. not yet pressed into the basin 202) the slick bottom layer 304 extends out over the top of the fluid heating

device 200 and slides easily while the drape 300 is pressed downward into the basin 202. The sliding is easy up until the point the drape 300 is almost fully seated. Just before seating, the slick bottom layer 304 has passed the perimeter of the top surface 252 of the upper portion 250 of the fluid heating device 200 and the non-slick top layer 308 is now
5 contacting the top surface 252 of the upper portion 250 of the fluid heating device 200 and prevents uncontrolled or unintended movement of the whole drape 300.

[00115] High-Slip vs. Non-Slip Films.

[00116] Those of skill in the art recognize that the dry kinetic coefficient of friction of a
10 film in contact with itself (film-to-film) is a useful parameter for selecting films for a particular purpose. Kinetic friction is a dimensionless parameter measured after initial motion has started as opposed to static friction. A film-to-film coefficient of kinetic friction of less than 0.20 is considered to be a low-slip film. In contrast, a film-to-film coefficient of kinetic friction of more than 0.50 is considered to be a non-slip surface. See [https://web.archive.org/web/20180430160133](https://web.archive.org/web/20180430160133/http://www.polyprint.com/flexographic-friction.htm)
15 [/http://www.polyprint.com/flexographic-friction.htm](http://www.polyprint.com/flexographic-friction.htm) (spaces added to prevent a live link).

[00117] A film found suitable for the bottom layer 304 to slip into place on the basin was tested by an external lab and the kinetic coefficient of friction measured in accordance with ASTM D-1894 ranged from 0.13 to 0.16 with a mean of 0.14. This would be a low-slip
20 film.

[00118] In contrast, a film found suitable for the top layer 308 to contact the top surface 252 of the upper portion 250 of the fluid heating device 200 and prevent uncontrolled or unintended movement of the whole drape 300 was tested by an external lab and the kinetic coefficient of friction measured in accordance with ASTM D-1894 ranged
25 from 0.79 to 0.91 with a mean of 0.86. This would be a non-slip surface.

[00119] Thus a preferred embodiment would use a low-slip film for the basin contact area of the drape and a non-slip film for at least a portion of the drape beyond the basin.

[00120] **FIG. 14** shows an enlarged portion of the drape 300. In **FIG. 14** the outer perimeter of bottom layer 304 is shown surrounded by top layer 308. The outline of perimeter frame 320 is shown. A series of bonding locations 340 are shown. In this
30

particular drape 300, there are three different sets of bonding locations 340. There are radial sidewall bonds 342, radial bottom bonds 344 and radial short bonds 346 between pairs of the radial bottom bonds 344.

5 [00121] This pattern of bonding locations 340 allows air initially present between the top layer 308 and the bottom layer 304 in the basin bottom portion 350 of the drape 300 to move outward past the perimeter frame 320 and up the basin sidewall portion 354 of the drape 300 and out of the overlapped portion 358 of the top layer 308 and bottom layer 304. The bonding locations 340 are substantially radial relative to a center point 360 of the basin bottom portion 350 of the drape 300.

10 [00122] While a radial orientation is logical, those of skill in the art will appreciate that the bonding locations 340 could be arranged to be other than radial as long as the deviation from radial is not sufficient to allow air to be blocked from easy exit from the overlapped portion 358 of the drape 300. Thus, a set of parallel bonding locations would be sub-optimal although viable as this may impede some air from rising up the basin sidewall for at least a portion of the basin perimeter.

15 [00123] The bottom layer 304 and the top layer 308 may be made from polyurethane material. As noted above, the bottom layer 304 may differ from the top layer 308 in slip characteristics to promote fit and function. The bonding locations may be formed by heat seals as is known in the art. The heat seals may be approximately one quarter of an inch wide but this may be adjusted during the manufacturing process to select a heat seal that is sufficient to bond the bottom layer 304 to the top layer 308 and trap the perimeter frame 320 without damaging the drape 300. Note that a solid bond forming a continuous perimeter is not present including in the vicinity of the perimeter frame 320 or the outer boundary of the overlapped portion 358.

25 [00124] A preferred method for creating drape 300 is to place the bottom side 324 of the perimeter frame 320 on the bottom layer 304 and then place the top layer 308 over the perimeter frame 320 so that there is sufficient extra material for the top layer 308 so that the bottom layer 304 does not have any wrinkles which would capture air and impede heat transfer from the basin bottom 270 through bottom layer 304 of the drape 300.

30 [00125] Ideally, the locations for the perimeter frame 320 after drape placement and the placement of the heating elements 104 and temperature sensor 108 are selected so that a

properly placed drape 300 does not have a perimeter frame over a heating element 104 or a temperature sensor 108. As the outer perimeter of the perimeter frame 320 may be slightly less than the perimeter of the basin bottom 270 defined by the interiors of the set of basin sidewalls 274, the perimeter frame 320 will have some small range of possible positions. It is possible in some designs that a perimeter frame 320 at an extreme allowed position may overlap a heating element by less than an inch. Small overlaps may be tolerable as the heat conduction of liquid and of the round basin 202 near that small overlap will avoid having the heat form an elevated temperature under the perimeter frame anywhere close to the softening temperature of the drape material.

10 [00126] Optionally, the bottom layer 304 may be a different thickness than the top layer 308. For example, the top layer 308 may be 5 mil polyurethane and the smaller bottom layer 304 may be 2 mil polyurethane to provide additional protection against breach of the drape 300 within the basin 202. The bottom layer 304 also serves to hold the perimeter frame 320 in location and may be used to provide a slick surface for positioning the drape 300 in the round basin 202.

15 [00127] Alternatively, the large top layer 308 may be thinner than the smaller bottom layer 304. This may provide an opportunity for cost savings.

[00128] Air Gap Detectors.

20 [00129] While prior art heating devices had a secondary temperature sensor located in proximity to temperature sensor 108 to serve as a backup to avoid a runaway application of energy to the heating elements 104 if primary temperature sensor 108 failed, the present disclosure provides an improvement.

[00130] The present disclosure provides a set of temperature sensors close to the perimeter of the basin 102. These temperature sensors will also serve to prevent a runaway application of energy should the primary temperature sensor 108 fail, but more importantly these temperature sensors will cause all or at least a portion of the heating elements to cease applying heat if the perimeter temperature sensors detect an elevated temperature as might be found when an air gap is causing a portion of the basin 102 to get hot as the air gap 128 is limiting the transfer of thermal energy to the sterile liquid 120.

30

[00131] The air gap detectors may be set to disable the heater element or a fraction of the heater elements when reaching an elevated temperature such as 300 degrees Fahrenheit. The hot temperature may be selected to avoid temperature excursions in excess of the softening temperature of the drape material. Once the air gap detector has noted a temperature excursion the air gap detector may stop power flow to a heater or a subset of heaters until the temperature drops a significant amount.

[00132] For context, the deadband may be 30 degrees Centigrade (86 degrees Fahrenheit) so that the temperature sensed by the air gap detector would need to drop to 214 degrees Fahrenheit before additional energy is provided to the heater or subset of heaters.

[00133] FIG. 15 shows a bottom perspective view of basin 202. In FIG. 15 there is a first arrangement of air gap detectors 380, 382, 384, and 386 positioned below heating element 104. These air gap detectors 380, 382, 384, and 386 are in series. If any one of these air gap detectors 380, 382, 384, and 386 senses a temperature in excess of the interrupt setpoint, the air gap detector will open the circuit and stop the flow of energy to the heating element 104. Thus, the air gap detectors 380, 382, 384, and 386 provide redundancy to temperature sensor 108 but also interrupt power to the heating element in the event that the drape 300 (not shown here) is not positioned in a manner that avoids an air gap (128 in FIG. 6). The use of the air gap detectors 380, 382, 384, and 386 provides a system that will periodically interrupt the flow of power to the heating element 104 so that the temperature of the basin 202 below the air gap will not rise to temperatures that are above the melting temperature for the drape 300.

[00134] FIG. 16 shows a bottom perspective view of rectangular basin 402. Visible in FIG. 16 are two heating elements 104 and 106. Each heating element 104 and 106 has an air gap detector 484 and 486. Thus, if temperature sensor 108 fails, eventually air gap detectors 484 and 486 will interrupt power to heating elements 104 and 106 although the interruptions may not begin or end at the exact same time. More importantly, if drape 450 is positioned in such a way as to leave an air gap near either end of the rectangular basin 402, the relevant air gap detector 484 or 486 will periodically interrupt the flow of power to the relevant heating element 104 or 106 so that the temperature of the rectangular basin 402 below the air gap will not rise to temperatures that are above the melting temperature for the drape.

[00135] Those of skill in the art will appreciate that using off-the-shelf heating elements is more cost effective than using custom-made heating elements. Thus heating elements 104 and 106 are not the same size in order to use off-the-shelf heating elements.

[00136] Those of skill in the art may take the teachings from FIG. 15 and FIG. 16 to
5 create basins with different numbers of heating elements and air gap detectors. A basin heating system may have several heating elements with at least one of the heating elements having more than one air gap detector. There is a trade-off between having a high number of heating elements, each with one or more air gap detectors, and the simplicity of having one heating element and several air gap detectors connected in series. Different designers
10 with different priorities may choose to use one heating element or many heating elements while staying within the teachings of the present disclosure.

[00137] One can imagine an array of eight pie-piece heating elements placed beneath a round basin 202 and around a central temperature sensor 108. Each pie-piece heating element may have an air gap detector at each distal corner so that an air gap that causes a
15 local rise in basin temperature may cause only one or two pie-shaped heating elements to stop heating.

[00138] Likewise, one could imagine a set of small heating elements for a rectangular or square basin that would have one or more air gap detectors per heating element so that air gaps that would cause local hot spots are not overheated while quickly applying heat to
20 other portions of the basin without an air gap.

[00139] Those of skill in the art will be able to select a suitable air gap detector based upon the softening temperature of the drape material and other criteria. An example of an air gap detector that will be suitable for some applications is Dig-Key part number 317-1580-ND manufactured by Cantherm with Cantherm Part Number F20A15005DCFB06E
25 with a switching temperature of 150 degrees Centigrade and a reset temperature of 120 degrees Centigrade.

[00140] A system may use a first air gap detector set to interrupt power at a first temperature and a second air gap detector set to interrupt power at a second temperature different than the first temperature. For example, an air gap detector located in the center of
30 the basin may be set to operate to interrupt power at a different temperature than an air gap detector located near a perimeter of the basin bottom. A system may use at least one air gap

detector without a sizable gap between the trigger temperature to interrupt power and the reset temperature. Thus rather than having a 30-degree Centigrade gap between the trigger temperature and the reset temperature, the system could have a gap of just one degree Centigrade so that the system applies as much heat as possible to the basin without
5 exceeding the trigger temperature.

[00141] The use of air gap detectors to interrupt power to a heating element can be used in systems that vary the amount of power provided to the heating element by varying the current provided, varying the voltage provided, or varying a duty cycle for the energy provided to the heating element.

10 [00142] The air gap detectors may be placed in direct contact with a heating device as shown in FIG. 15 and FIG. 16 but this is not required. The air gap detectors could be placed upon the underside of the basin (202 or 402) or a sidewall of the basin (202 or 402) but wired to the nearby heating element to interrupt power provided to that heating element upon detection of an elevated temperature. One of skill in the art can determine an
15 appropriate high temperature setpoint depending on the proximity of the air gap detector to the heating element and other geometry.

[00143] Process for Using Drape.

[00144] A process 1000 for using a drape 300 in a basin 202 in a fluid heating device 200
20 is set forth in FIG. 17.

[00145] Step 1004—Place sterile drape 300 over the upper portion 250 of a fluid heating device 200 with an emphasis on placing the flat bottom side 324 of the perimeter frame 320 within the inner perimeter (FIG. 8) of the basin bottom 270 (FIG. 8). This placement will place the bottom layer 304 within the basin 202 so that the basin 202 has two layers of
25 drape material and will position the top layer 308 in the intended position to hang down over the sides of the upper portion 250 of the fluid heating device 200.

[00146] Step 1008—Add a volume of sterile fluid to the draped basin 202. The minimum volume of liquid to be used with a particular fluid heating device may be specified to ensure that the basin has an adequate amount of sterile fluid. As the bottom
30 layer 304 is bonded to the top layer 308 and stretched by the perimeter frame 320 captured between the bottom layer 304 and the top layer 308, the bottom layer 304 is free of wrinkles

within the area defined by the perimeter frame 320 and thus will make good contact with the basin bottom 270. As the volume of sterile fluid is added to the draped basin 202 the liquid forces any air between the top layer 308 and the bottom layer 304 to move from within the area defined by the perimeter frame 320, past the perimeter frame 320 and up the basin sidewalls 274 (**FIG. 9**) between the top layer 308 and the bottom layer 304 to exit the overlapped portion 358 of the top layer 308 and bottom layer 304.

[00147] Step 1012—Apply heat to the bottom side of the basin 202, through the basin 202, through the bottom layer 304, and through the top layer 308 to heat the volume of sterile liquid in the basin 202.

10 [00148] Step 1016—Temperature controller monitors fluid temperature as indicated by temperature sensor 108 and automatically regulates power output to the one or more heating elements to heat the sterile fluid to a desired temperature setpoint.

[00149] Step 1020—Optionally, air gap detectors monitor for temperature excursions that may indicate an air gap above the air gap detector. One or more air gap detectors are located near the edges of the basin on the one or more heating elements.

[00150] Step 1024—Interrupt power to the relevant heating element upon detection of a temperature excursion close to the softening temperature for the drape.

[00151] Step 1028—End interruption of power to the relevant heating element when the monitored temperature at the air gap detector falls below a setpoint.

20

[00152] Material Choices.

[00153] The drapes may be made from aromatic polyester polyurethane films such as the DUREFLEX® PS7000 family as they have relatively high softening temperatures and other desirable qualities. The drape material can be obtained in 5 mil thickness, 2 mil thickness, and other thicknesses as desired. The films can be modified to have the degree of slip or tack desired for the customer application.

25

[00154] ALTERNATIVES AND VARIATIONS.

[00155] Rectangular Basin.

30 [00156] While the round basin 202 shown above is one common basin shape, **FIG. 18** shows a top and side perspective view of fluid heating device 400 with a rectangular

basin 402 in top portion 410 which is connected by intermediate portion 254 to base 258. **FIG. 19** is a top view of a drape 450 for use with fluid heating device 400. Drape 450 has a top layer 458 sized to cover the top portion 410 and extend downward. A bottom layer 454 is sized to substantially cover both the basin bottom 404 and basin sidewall 406 possibly extending outward a short distance onto the flat top of the top portion 410. **FIG. 20** shows a perimeter frame 470 shaped to fit within the perimeter of the basin bottom 404 and position the drape 450 with respect to the rectangular basin 402.

[00157] **FIG. 21** is an enlarged view of a portion of drape 450. A set of bonding locations 440 connects the top layer 458 to the bottom layer 454 and captures the perimeter frame 470 in frame zone 474. The set of bonding locations 440 are again selected to allow air to move from inside the frame zone 474 to the outer perimeter of bottom layer 454 so that air does not impede heat transfer from the rectangular basin 402 through the drape 450 to the liquid (not shown here) above the drape 450. With this elongated rectangular shape of the rectangular basin 402, one efficient pattern for the set of bonding locations 440 uses a set of parallel bonds 478 inside the frame zone 474. Long wall bonds 462 extend up the long walls 412 (**FIG. 14**) of the rectangular basin 402 and likewise short wall bonds 468 extend up the short walls 414 (**FIG. 14**) of the rectangular basin 402. Long corner bonds 464 and short corner bonds 466 are in the four rounded corners 416 (**FIG. 18**) of the rectangular basin 402.

[00158] Those of skill in the art recognize that the set of parallel bonds 478 inside the frame zone 474 could be oriented parallel to the long walls 412 rather than the short walls 414 of the rectangular basin 402. Or they could be at some other angle with respect to the long walls 412. The goal is to avoid forming a perimeter with the bonds that would trap air.

[00159] Other than the differences to accommodate the rectangular basin 402 as opposed to the round basin 202, drape 450 may be identical to the drape 300 discussed above.

[00160] Smaller Second Layer as Top Layer.

[00161] As shown in **FIG. 11** the bottom layer 304 is the smaller basin sized layer that is sized to provide additional protection against puncture for the basin bottom 270, and at least a portion of the basin sidewalls 274, and possibly extend to cover the basin rim 278. As an

alternative embodiment, the basin sized layer could be the top layer. Using the basin sized layer as the top layer may require a slightly larger basin sized layer so that the seam between the basin sized layer and the larger drape layer is moved outward from the edge of the basin rim 278 so that there is less opportunity for movement of items into the basin 202
5 to catch the seam or cause fluids to enter any gaps in the seam to then be between the two layers of the drape. A complete seal around the entire perimeter of the basin sized drape may lead to some air being trapped between drape layers. So there are reasons to have gaps in the sealing bonds between the two layers of drape. But this option is viable and may have appeal to end users to have the thicker basin sized drape to be the first drape layer to receive
10 contact from the items placed into the basin 202.

[00162] Bonds.

[00163] While heat seals between layers of polyurethane are one appropriate solution for creating a set of bonding locations, the teachings of the present disclosure are not limited to
15 this choice. Those of skill in the art will appreciate that other bonding techniques including use of adhesives, ultrasonic welding, and other techniques known to those of skill in the art may be used with appropriate materials.

[00164] One Layer Drape.

[00165] An alternative embodiment that provides some but not all the advantages of the dual layer drapes discussed above is a single layer drape. The flat bottom side 324 of the perimeter frame 320 (for a round perimeter frame as shown in **FIG. 12**) would be directly
20 adhered to a top surface of the single layer. The single layer would be analogous to top layer 308 (**FIG. 11**) in that the single layer would be sized to cover the upper portion 250
25 (**FIG. 7**). The perimeter frame 320 would serve the purpose of allowing the user to know the top side of the drape from the bottom side of the drape and would allow the drape to quickly be positioned appropriately as the perimeter frame 320 placed inside the basin 202 would locate and maintain the drape in the proper position relative to the basin 202 and upper portion 250. As there would not be a second layer to fortify the drape within the
30 basin 202, the thickness of the single layer may be increased.

[00166] Note that the single layer drape could be created to work with a rectangular basin. Both frame configurations could be utilized.

[00167] The perimeter frame 320 could be bonded to either the top side of the single layer drape or to the bottom side of the single layer drape, although this choice will impact the cross section of the perimeter frame 320 so that you have a flat surface for the bonding side. If the perimeter frame 320 is bonded to the bottom side of the single layer drape, it may be useful to have some additional slack in the drape so that the drape can easily reach the basin bottom close to the perimeter frame. This problem is not present if you bond the perimeter frame 320 to the top surface of the single layer drape.

[00168] In all cases the bonding of the single layer to the perimeter frame would ensure that the portion of the drape within the perimeter defined by the perimeter frame would be wrinkle-free (if the single layer drape was wrinkle-free when bonded to the perimeter frame). This wrinkle-free portion of the single layer drape would be efficient in allowing heat transfer through the single layer drape.

[00169] The bonding methods could be heat seal between the perimeter frame (which may be made of polycarbonate) and the drape material that may be made of polyurethane. Adhesives and ultrasonic welding may be used instead of heat seals.

[00170] Basin Shapes.

[00171] This disclosure gave examples using round basin 202 and rectangular basin 402. As it would be unnecessary to inform one of skill in the art, not every comment made about uses of a drape with a round basin 202 was repeated when discussing rectangular basin 402. Likewise, not every comment made about uses of a drape with a rectangular basin 402 was repeated when discussing round basin 202. Those of skill in the art can take any teaching illustrated when discussing one basin shape and apply that teaching to another basin shape. Further, the teachings of the present disclosure are not limited to drapes that fit a round basin or a rectangular basin. Other basin shapes may be used such as square or oval. A basin may have one wall that is not shaped the same as the other walls. For example, one wall of a rectangular basin could be curved outward. A basin may have a bottom that is not flat but is sloped or has a deeper portion which may be called a well. These basins may be adapted to received laparoscopes or other medical devices.

[00172] Choices of basin shapes may impact the placement of heating elements and air gap detectors and the shape of a perimeter frame or non-perimeter positioning device such as a reticle but these variations would be within the skill of the art after reviewing the teachings of this disclosure. Teachings of the present disclosure could be used for basins
5 with sloped bottom surfaces such as for scope heating.

[00173] Dual-use Drapes.

[00174] Those of skill in the art will appreciate that the top portion 410 of a fluid heating device 400 such as shown in FIG. 18 could be side mounted to a slush-making device 500
10 as shown in FIG. 22. Slush-making device 500 is a prior art slush-making machine with a center disc 504 in basin 508. The center disc 504 pushes a drape disc 554 as this type of slush-making device 500 agitates the slush that forms on the drape where the drape contacts the chilled surfaces of the basin 508. Having a center disc 504 rise and fall reduces the amount of effort from the surgical staff to release frozen material from the drape's walls of
15 the basin 508.

[00175] FIG. 23 shows a top view of a dual-use drape 550 that has an upper layer 554 which is larger than the top layers 308 or 458 discussed above. One side of dual-use drape 550 will cover the rectangular fluid heating device 400 and may have a bottom layer 454 as described in connection with FIG. 21. The other side of dual-use drape 550 is
20 adapted to cover the basin 508 and top surface 510 of slush-making device 500.

[00176] As labeled in FIG. 23, a basin layer 558 may be bonded to the upper layer 554 by a series of radial bonds 562. The edge of the overlap of the two layers is shown by edge 564.

[00177] Cap 570 with downward facing rim 574 is adapted to snap onto the center disc 504 of the slush-making device 500 so that the dual-use drape 550 moves with the movement of the center disc 504. The specifics of the friction fit or other way of attaching the cap 570 to the center disc 504 are not germane to the present disclosure and one of skill in the art can quickly think of several viable alternatives. The upper side of the cap 570 is bonded to the lower side of the dual-use drape 550 at bonding locations 578. The outer
25 boundary of cap 570 is indicated at dashed line 568.
30

[00178] The lower side of the dual-use drape 550 may be the lower side of the basin layer 558 for a two-layer drape. The bonding locations 578 may be thermal bonds, adhesive bonds, ultrasonic welding or other bonding techniques known to those of skill in the art and appropriate for the chosen materials. Note the temperature for creating thermal bonds
5 between two layers of polyurethane drape such as basin layer 558 and upper layer 554 is likely to be different than a suitable temperature for creating thermal bonds between basin layer 558 and cap 570 as the cap 570 may be made from polycarbonate.

[00179] For the dual-use drape 550, the upper layer 554 may be 5 mil polyurethane and the smaller bottom layer 454 and basin layer 558 may be 2 mil polyurethane to provide
10 additional protection against breach of the dual-use drape 550 within the basins 402 and 508.

[00180] As an alternative, the dual-use drape may be created without a second layer over the slush basin. The cap 570 would be bonded to the upper layer 554 at bonding locations 578. The dual-use drape 550 may be created using a thermal formed rectangular
15 basin portion 710 as discussed below.

[00181] Perimeter Frame.

[00182] The perimeter frame 320 may be made of one piece as shown in this disclosure. Those of skill in the art will recognize that the perimeter frame 320 could alternatively be
20 made of a set of two or more pieces with small gaps in the perimeter. Having two or more pieces to be formed, placed, and enveloped with bonds between drape layers or bonded to a single layer drape may add processing steps but would otherwise provide the benefits set forth in this disclosure. FIG. 49 provides an illustration of a rectangular perimeter frame 1470 with gaps 1472 and 1474 so that rectangular perimeter frame 1470 has
25 piece 1476 and piece 1478.

[00183] Non-Perimeter Positioning Devices.

[00184] While a useful way to align and maintain the position of the drape relative to the basin bottom is a perimeter frame as discussed above, other positioning devices could be
30 employed by one of skill in the art. For example, a reticle (also known as crosshair) made of the same type of materials discussed in connection with the perimeter frame could be

used to position the drape within the basin if the reticle was sized so that the radially distal portions of the reticle would only fit within the basin bottom if the center of the reticle was in the desired center location of the basin.

[00185] If the non-perimeter positioning device is over a portion of the basin where a heating element is attached, heat input may need to be limited to avoid overheating of the drape because the frame may inhibit heat transfer to the fluid. Otherwise, care may need to be taken to choose locations for the reticle or other non-perimeter positioning devices to avoid placement above any heating element or temperature sensors. Alternatively, the layout of the heating devices and temperature sensors may be selected based upon knowledge of the shape and orientation for the reticle or other non-perimeter positioning devices. An alignment marker may be helpful on fluid heating devices 200 that use a round basin 202 so that the reticle or other non-perimeter positioning devices are placed in a predictable way relative to the alignment marker.

[00186] Use of a non-perimeter positioning device such as a reticle that is highly conductive such as a metallic non-perimeter positioning device will allow a non-perimeter positioning device to be placed directly over a heating element as the highly conductive non-perimeter positioning device would distribute heat without the formation of a severe hot spot.

[00187] FIG. 24 shows top perspective view of a basin 202 and a round basin reticle 390 that would be placed in a drape 300 to use as a non-perimeter positioning device to help position the drape 300 within the basin 202.

[00188] FIG. 25 shows a top perspective view of a rectangular basin 402 with a rectangular basin reticle 490 that would be placed in a drape 450 to use as a non-perimeter positioning device to help position the drape 450 within the rectangular basin 402.

[00189] Reticles are but one well-known pattern that could be used to position the drape. An asterisk, star, pound sign (“#”), or tic tac toe lattice could be used. For a rectangular shaped basin bottom, the shape could be a series of parallel bars running parallel to the long sides of the rectangle or running parallel to the short sides of the rectangle. The choices are unlimited although some choices may be easier to implement, especially with respect to avoiding covering the heating elements or heat sensors.

[00190] Sterilization.

[00191] The drapes made in accordance with the teachings of the present disclosure are to be delivered to the end user in a sterilized condition. Those of skill in the art will recognize that there are various options for sterilizing items of this sort, including the use of
5 ethylene oxide. It is expected that the drapes will be single use items.

[00192] Basin Shape Impressed into Drape.

[00193] FIG. 26 shows an alternative drape 600 for use in round basin 202 instead of drape 300 discussed above. Drape 600 has a flat portion 604 and a round basin portion 610
10 that is thermal formed. The round basin portion 610 forms a sterile vented barrier for use in covering the basin. Both the flat portion 604 and the round basin portion 610 may be made of polyurethane. Those of skill in the art will appreciate that the thickness of the drape material needs to be sufficient to allow the thermal forming of the round basin portion 610.

[00194] FIG. 27 shows a top perspective view of just the round basin portion 610. In
15 FIG. 27 the basin vents 614 are visible. These basin vents 614 allow air to flow up from the basin 202 to above the top surface 252 of the fluid heating device 200 (See FIG. 7) when the round basin portion 610 is pressed down into a round basin 202.

[00195] The round basin portion 610 may be top loaded into an appropriately sized opening in flat portion 604 with the flange 618 resting on the top of the flat portion 604.
20 The flange 618 may be attached to flat portion 604 by heat seals or other appropriate methods. As the basin vents 614 are open to the outside of the round basin portion 610, air will be vented up the side of the basin 202 as the round basin portion 610 is put into position and this air will vent under flat portion 604 of drape 600.

[00196] FIG. 30 through FIG. 40 provide additional views of the round basin
25 portion 610 of drape 600. Element 610 may alternatively be called a sterile vented barrier for use in a round basin.

[00197] FIG. 28 shows an alternative drape 700 for use in rectangular basin 402 instead of drape 450 discussed above. Drape 700 has a flat portion 704 and a rectangular basin portion 710 that is thermal formed. The rectangular basin portion 710 forms a sterile vented
30 barrier for use in covering the basin. Both the flat portion 704 and the rectangular basin portion 710 may be made of polyurethane. Those of skill in the art will appreciate that the

thickness of the drape material needs to be sufficient to allow the thermal forming of the rectangular basin portion 710.

[00198] As there will be significant thinning of material during the forming of the basin portion (whether round or rectangular) the initial starting thickness of the drape material
5 may be 30 mils in order to ensure that the formed basin portion is at least 5 mil in the thinnest portion. Additional control over the forming process may allow for a thinner drape material to be used.

[00199] FIG. 29 shows a top perspective view of just the rectangular basin portion 710. The rectangular basin portion 710 may be top loaded into an appropriately sized hold in flat
10 portion 704 with the flange 718 resting on the flat portion 704. The flange 718 may be connected to flat portion 704 by heat seals or other appropriate methods.

[00200] In FIG. 29 the rectangular basin vents 714 are visible. These rectangular basin vents 714 allow air to flow up from the rectangular basin 402 to above the top portion 410 of the fluid heating device 400 (See FIG. 18) and below the flat portion 704 of the
15 drape 700 when the rectangular basin portion 710 is pressed down into a rectangular basin 402.

[00201] FIG. 41 through FIG. 48 provide additional views of the rectangular basin portion 710 of drape 700. Element 710 may alternatively be called a sterile vented barrier for use in a rectangular basin.
20

[00202] One of skill in the art will recognize that some of the alternative implementations set forth above are not universally mutually exclusive and that in some cases additional implementations can be created that employ aspects of two or more of the variations described above. Likewise, the present disclosure is not limited to the specific examples or
25 particular embodiments provided to promote understanding of the various teachings of the present disclosure. Moreover, the scope of the claims which follow covers the range of variations, modifications, and substitutes for the components described herein as would be known to those of skill in the art.

[00203] Where methods and/or events described above indicate certain events and/or
30 procedures occurring in a certain order, the ordering of certain events and/or procedures may be modified. Additionally, certain events and/or procedures may be performed

concurrently in a parallel process when possible, as well as performed sequentially as described above.

What is claimed is:

1. A drape for covering an interior of a basin and at least a top of a fluid heating device;
the basin having an upper side defining a cavity for receipt of a fluid to be heated;
the upper side of the basin having:

a basin bottom;

a set of basin sidewalls running from the basin bottom to the top of the fluid heating device; and

a basin bottom perimeter defined by the set of basin sidewalls intersecting the basin bottom;

the drape comprising:

a device layer sized sufficiently to cover the top of the fluid heating device and extend downward around a perimeter of the fluid heating device while a portion of the device layer is in proximity to the basin;

a basin layer smaller than the device layer and sized sufficiently to cover at least the basin bottom; the basin layer separate from the device layer and positioned below the portion of the device layer so that the basin layer is surrounded by the device layer;

a perimeter frame trapped between the basin layer and the device layer by a set of bonds between the basin layer and the device layer; wherein the perimeter frame is sized slightly smaller than the basin bottom perimeter;

the trapped perimeter frame having an open window devoid of frame material, the open window comprising a single uninterrupted open area that is a majority of the basin bottom;

the trapped perimeter frame serving to substantially center the basin layer on the basin bottom;

the set of bonds between the basin layer and the device layer arranged to allow egress of air from between the basin layer and device layer so a volume of air between the basin layer and the device layer is reduced when the fluid is placed onto the drape after the drape is positioned to cover the basin and the fluid heating device;

the trapped perimeter frame serving to maintain a portion of the basin layer within a perimeter of the perimeter frame so that the maintained portion of the basin layer lacks an air gap caused by a wrinkle; and

wherein the basin layer combines with the device layer such that the drape is formed by two layers over the basin bottom to reduce a risk of drape puncture from surgical instruments dropped into the draped basin.

2. The drape of claim 1 wherein the basin bottom is round.
3. The drape of claim 1 wherein the basin bottom is rectangular.
4. The drape of claim 1 wherein the basin layer has a coefficient of film-to-film kinetic friction of less than 0.20 so that the basin layer slides into position within the basin bottom with minimal resistance with a reduced risk of air-trapping wrinkles on the basin bottom and the device layer has a coefficient of film-to-film kinetic friction of more than 0.50 so that the basin

layer with the coefficient of film-to-film kinetic friction of less than 0.20 is surrounded by the device layer so that a lower face of the drape has two distinct coefficients of film-to-film kinetic friction.

5. The drape of claim 1 wherein the basin layer has a lower coefficient of film-to-film kinetic friction than does the device layer so that the basin layer is surrounded by the device layer so that a lower face of the drape has two distinct coefficients of film-to-film kinetic friction wherein the basin layer may be positioned on the basin bottom with a reduced risk of air-trapping wrinkles and the device layer tends to limit unintended lateral movement of the drape relative to the fluid heating device.

6. The drape of claim 1 where the set of bonds between the basin layer and the device layer include at least some bonds formed by heat sealing the basin layer to the device layer.

7. The drape of claim 1 where the set of bonds between the basin layer and the device layer include at least some bonds formed with adhesive placed between the basin layer and the device layer.

8. The drape of claim 1 wherein the fluid heating device includes a second basin for use in creating a quantity of slush and the drape is sized to cover the basin for receipt of the fluid to be heated and the second basin for use in creating the quantity of slush.

9. The drape of claim 1 wherein the drape has been sterilized so that a sterile liquid that contacts a side of the drape is considered sterile unless that side of the drape has contacted a non-sterile surface.

10. The drape of claim 1 wherein the perimeter frame is comprised of at least two unconnected pieces.

11. A method of covering a fluid heating device with a cavity defined by a basin with a basin bottom, the method comprising:

obtaining a drape comprising:

a device layer sized sufficiently to cover a top of the fluid heating device and extend downward around a perimeter of the fluid heating device while a portion of the device layer is in proximity to the basin;

a basin layer smaller than the device layer and sized sufficiently to cover at least the basin bottom; the basin layer separate from the device layer and positioned below the portion of the device layer so that the basin layer is surrounded by the device layer;

a perimeter frame trapped between the basin layer and the device layer by a set of bonds between the basin layer and the device layer; wherein the perimeter frame is sized slightly smaller than a basin bottom perimeter;

the trapped perimeter frame having an open window devoid of frame material, the open window comprising a single uninterrupted open area that is a majority of the basin bottom;

the trapped perimeter frame serving to substantially center the basin layer on the basin bottom wherein the basin layer combines with the device layer such that the drape is formed by

two layers over the basin bottom to reduce a risk of drape puncture from surgical instruments dropped into the draped basin;

the set of bonds between the basin layer and the device layer arranged to allow egress of air from between the basin layer and the device layer so a volume of air between the basin layer and the device layer is reduced when liquid is placed onto the drape after the drape is positioned to cover the basin and the fluid heating device;

the trapped perimeter frame serving to maintain a portion of the basin layer within a perimeter of the perimeter frame so that the maintained portion of the basin layer lacks an air gap caused by a wrinkle;

positioning the perimeter frame into the basin bottom so that the basin layer covers at least the basin bottom and the device layer covers the top of the fluid heating device and extends downward around the perimeter of the fluid heating device;

adding a volume of liquid to the basin so that the volume of liquid rests on the drape without making contact with the basin, the volume of liquid reducing the volume of air between the basin layer and the device layer;

adding heat to the basin bottom of the basin to allow heat to pass through the drape and into the volume of liquid; and

monitoring at least one temperature of the basin and controlling the heat added to the basin based upon the monitored at least one temperature of the basin to maintain the volume of liquid within a desired range of a selected target temperature.

12. The method of claim 11 wherein the perimeter frame has a flat side to be positioned on the basin bottom.

13. The method of claim 11 wherein the perimeter frame is comprised of at least two unconnected pieces.

14. A drape for covering an interior of a basin and at least a top of a fluid heating device; the basin having an upper side defining a cavity for receipt of a fluid to be heated; the upper side of the basin having:
a basin bottom; and
a set of basin sidewalls running from the basin bottom to the top of the fluid heating device;

the drape comprising:

a basin layer sized sufficiently to cover at least the basin bottom; the basin layer having a coefficient of film-to-film kinetic friction of less than 0.20 to allow the basin layer to slip into place on the basin bottom with a reduced risk of air-trapping wrinkles; and

a device layer sized sufficiently to cover the top of the fluid heating device and extend downward around a perimeter of the fluid heating device while a portion of the device layer is in proximity to the basin; the device layer is partially covered on a lower side of the device layer by the basin layer which is smaller than the device layer, the device layer having a coefficient of film-to-film kinetic friction of more than 0.50 to help prevent unintended movement of the drape relative to the fluid heating device so that the basin layer is surrounded by the device layer so that a lower face of the drape has two distinct coefficients of film-to-film kinetic friction.

FIG. 1

Prior Art

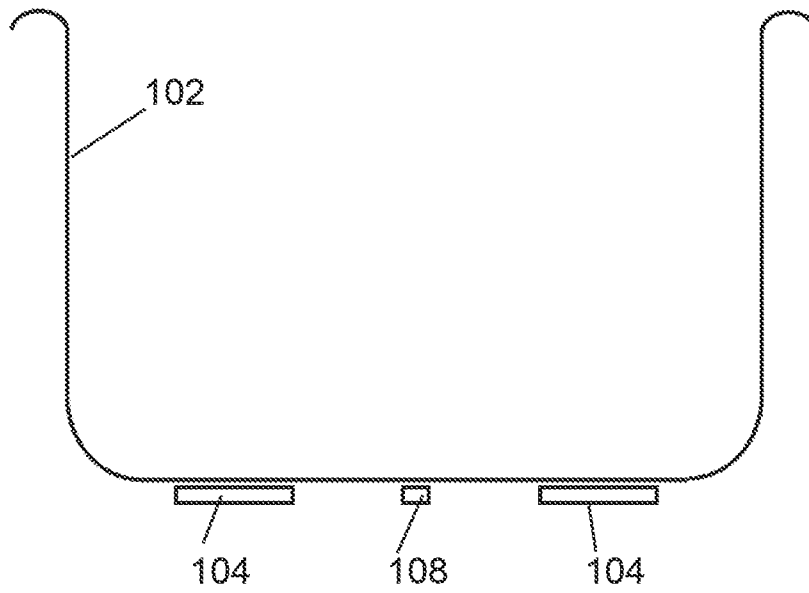


FIG. 2

Prior Art

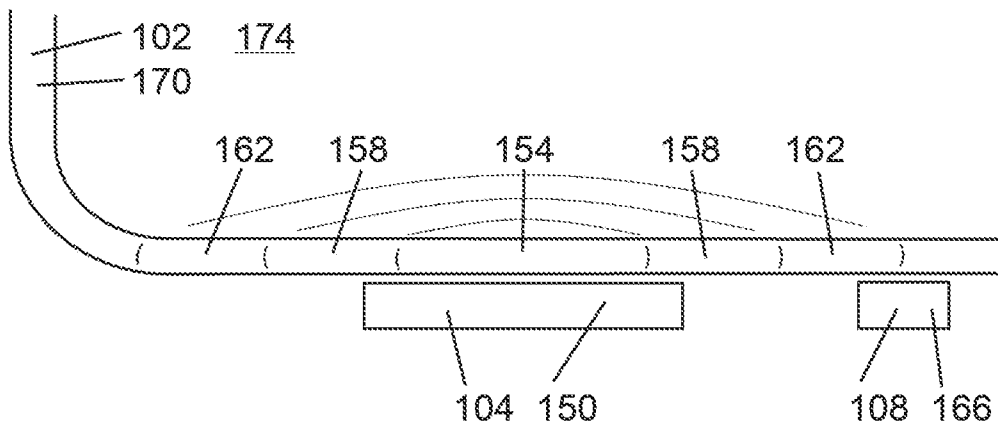


FIG. 3

Prior Art

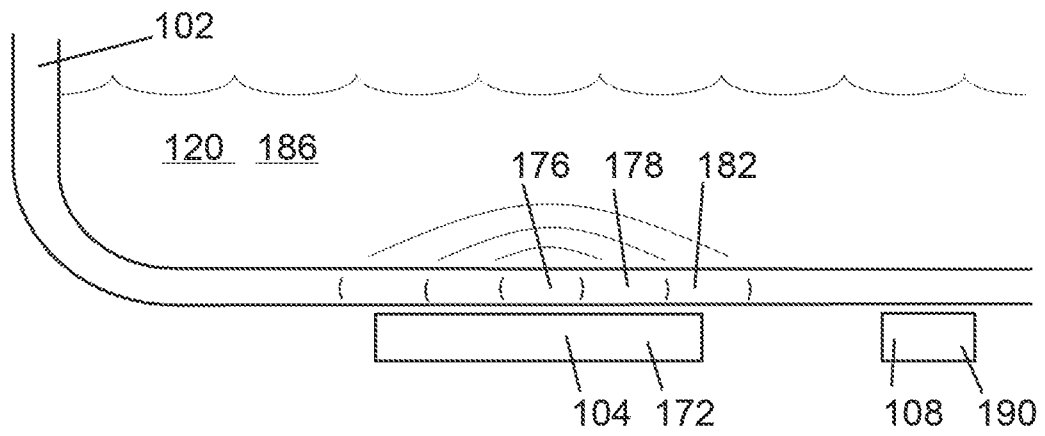


FIG. 4

Prior Art

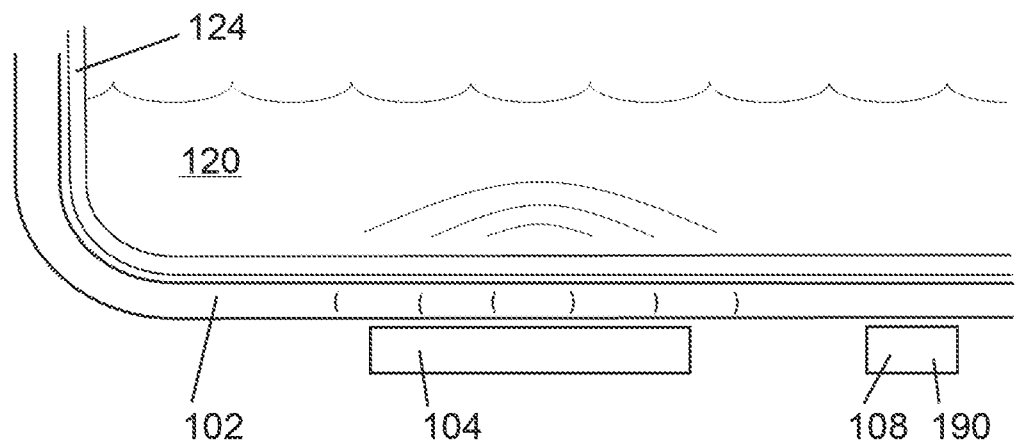


FIG. 5
Prior Art

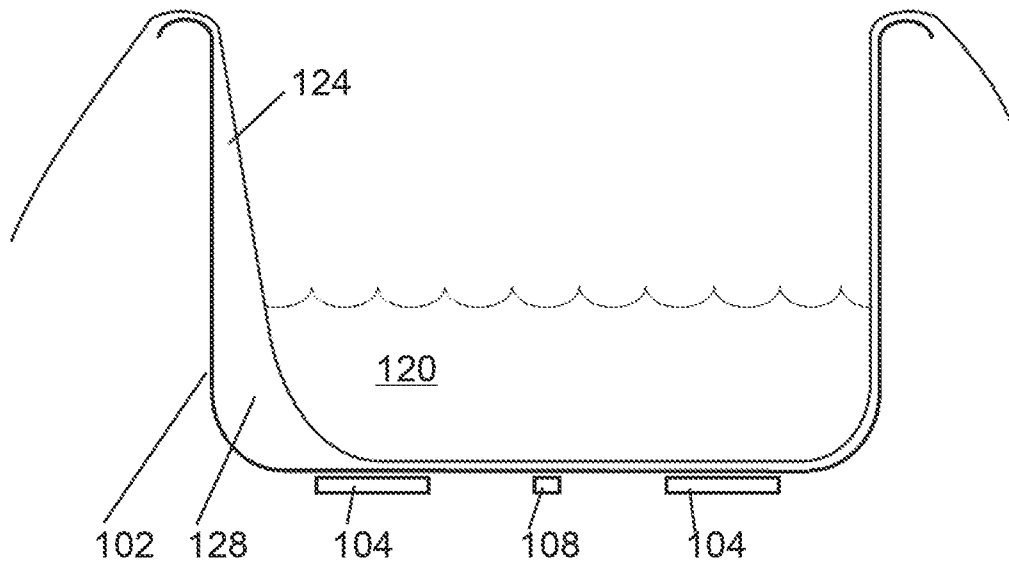


FIG. 6
Prior Art

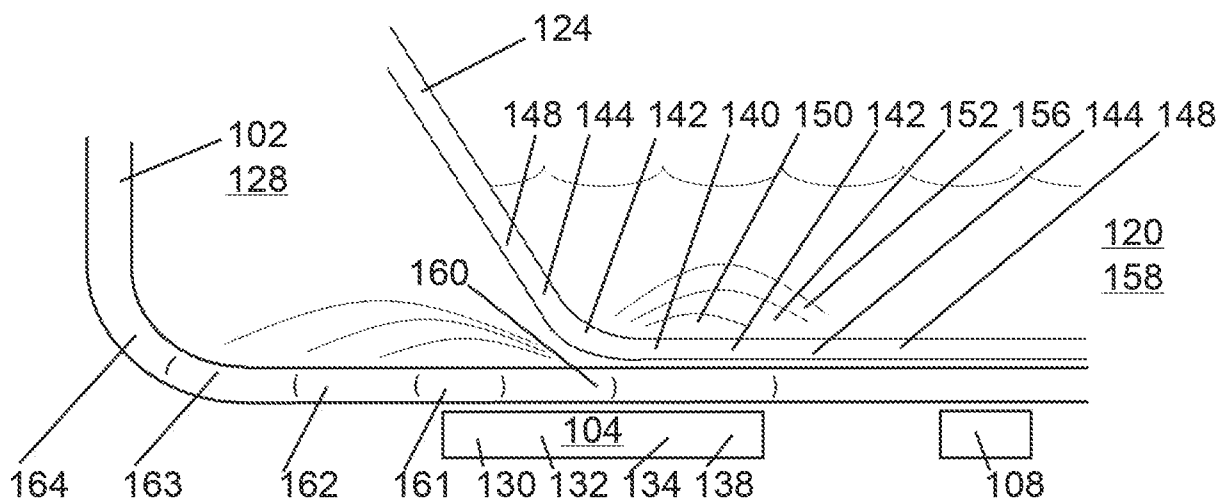


FIG. 7
200

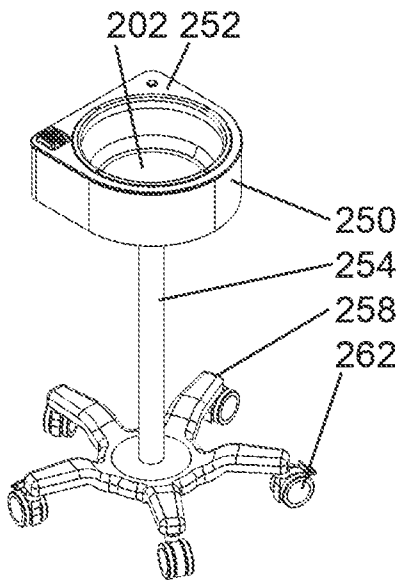


FIG. 8

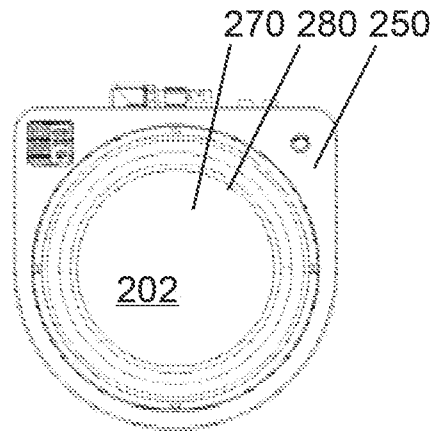
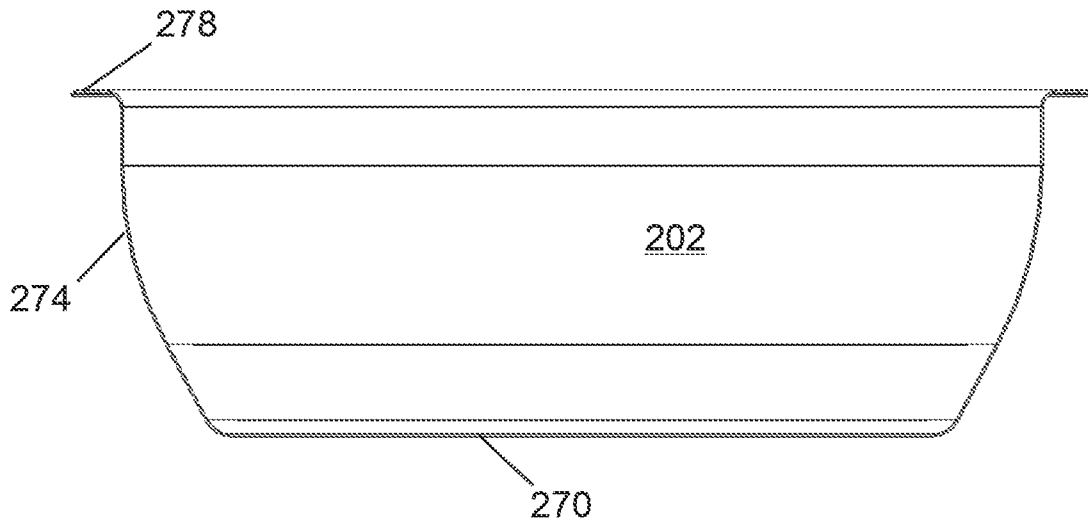


FIG. 9



5/31

FIG. 10
300

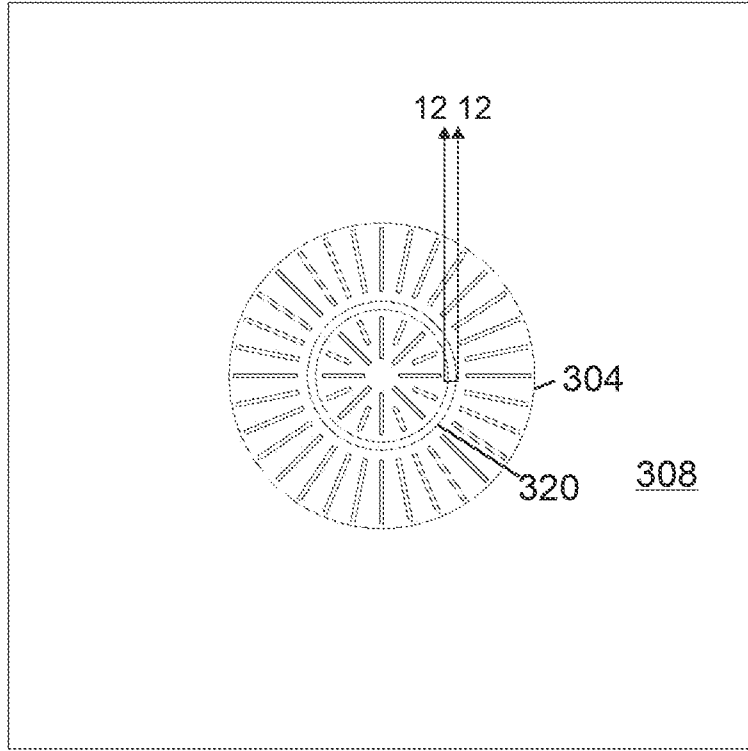


FIG. 11

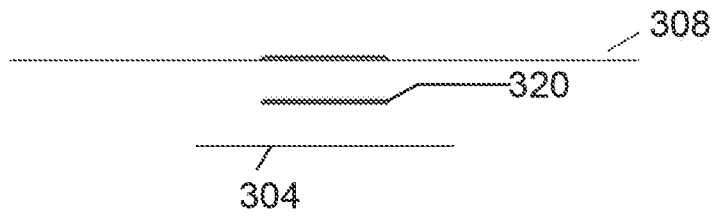
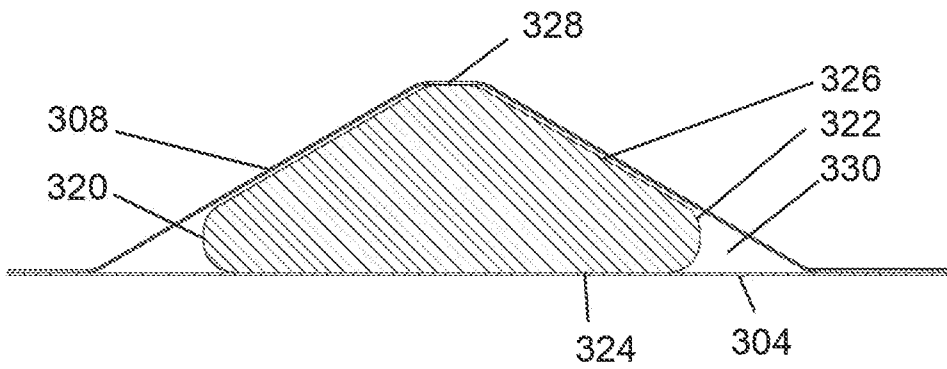


FIG. 12



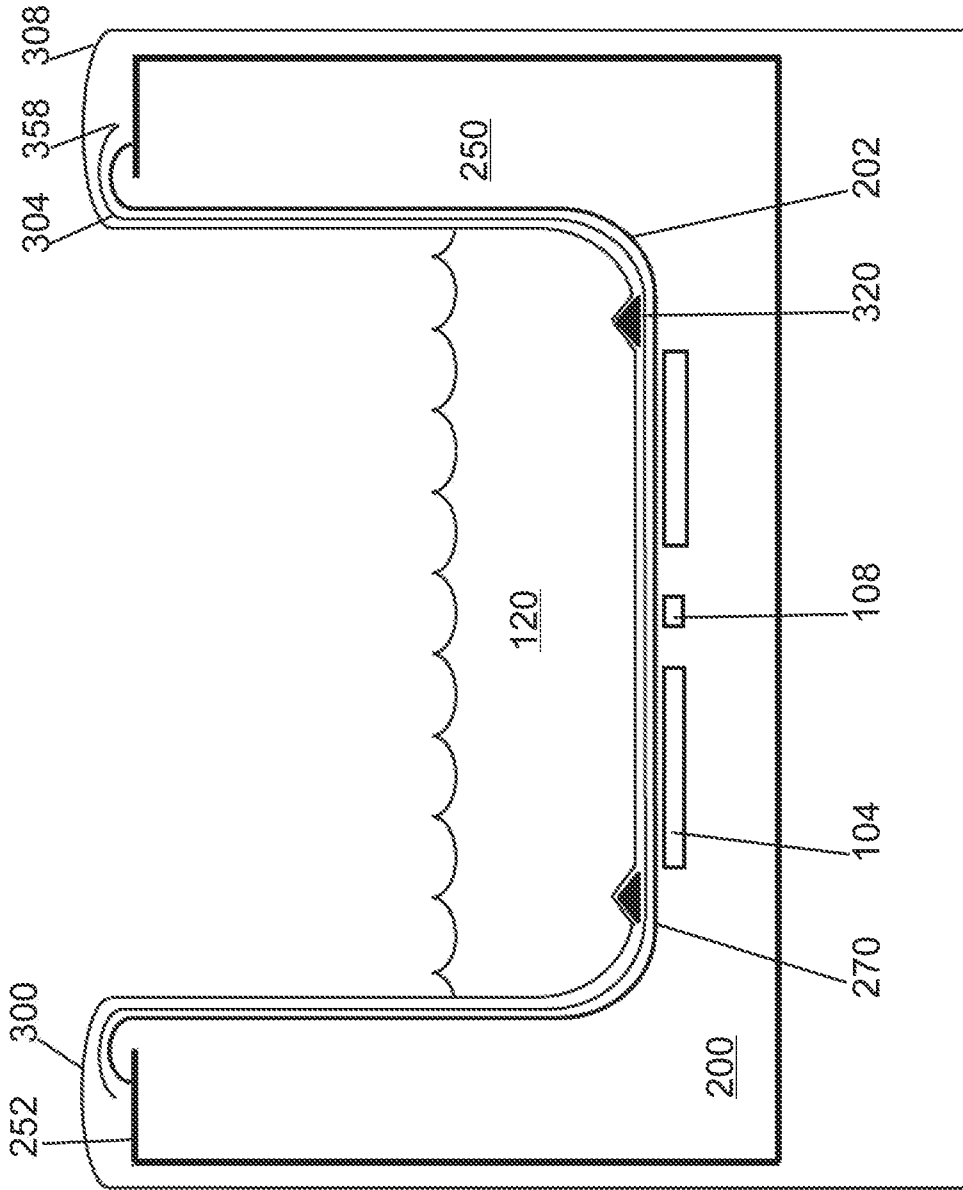
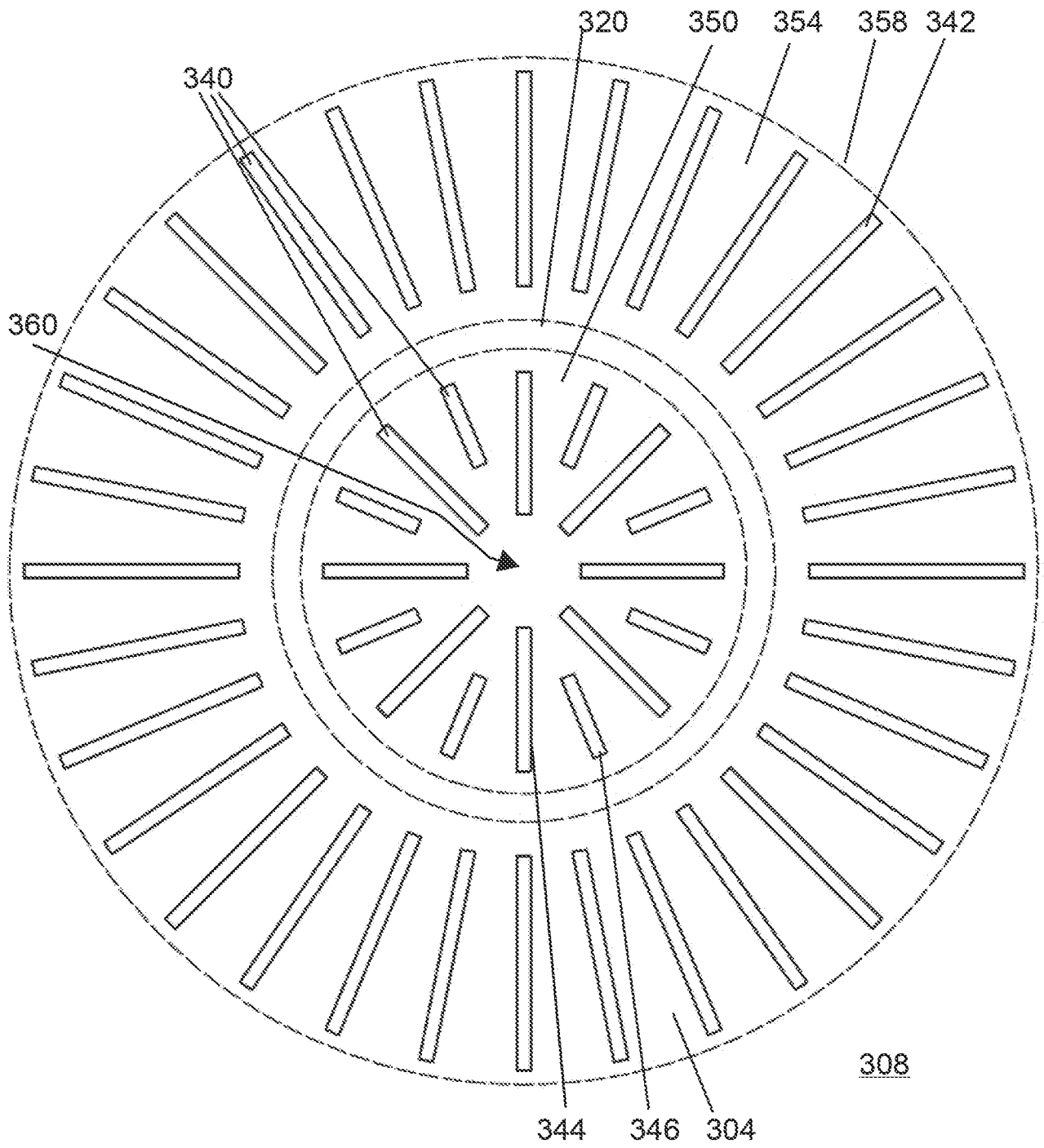


FIG. 13

7/31

FIG. 14



8/31

FIG. 15

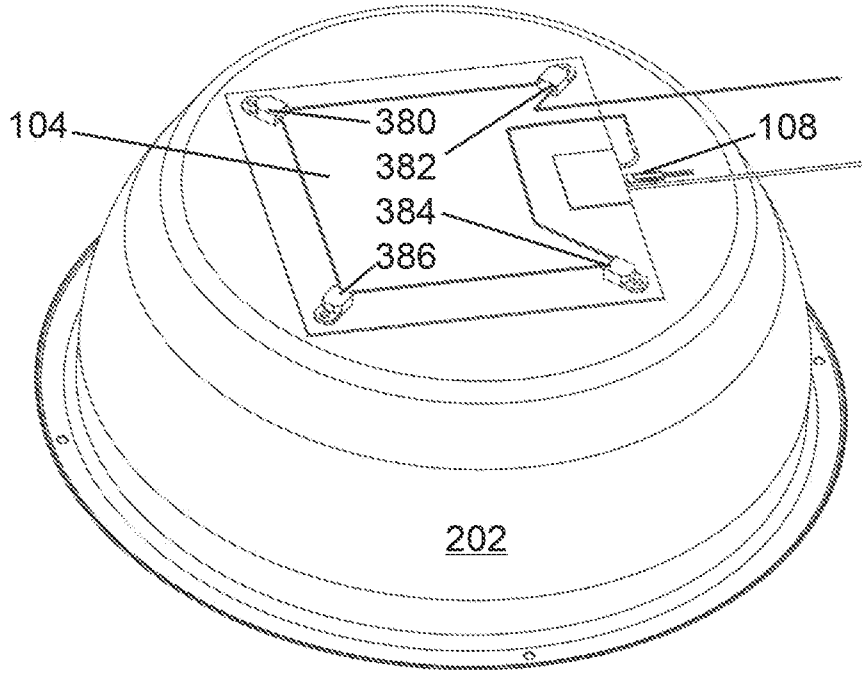
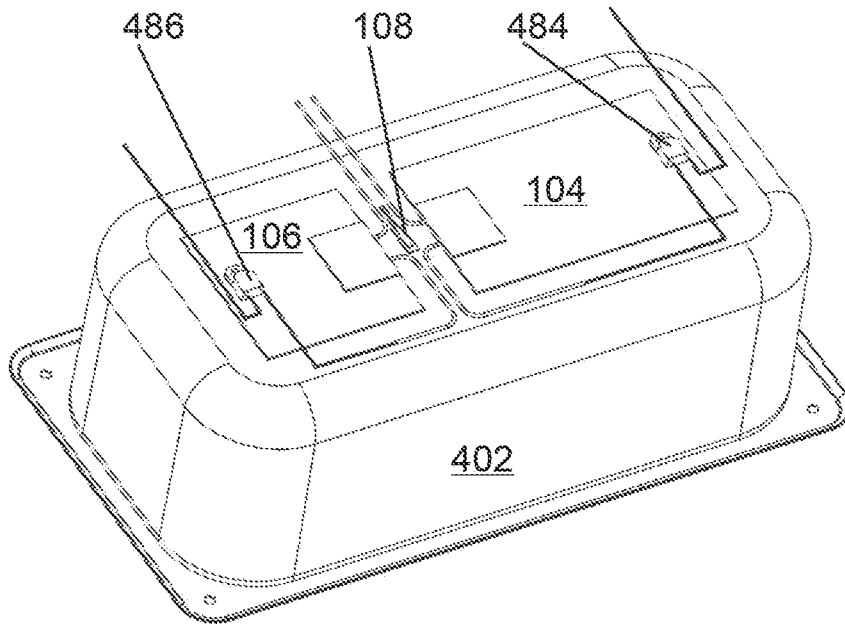
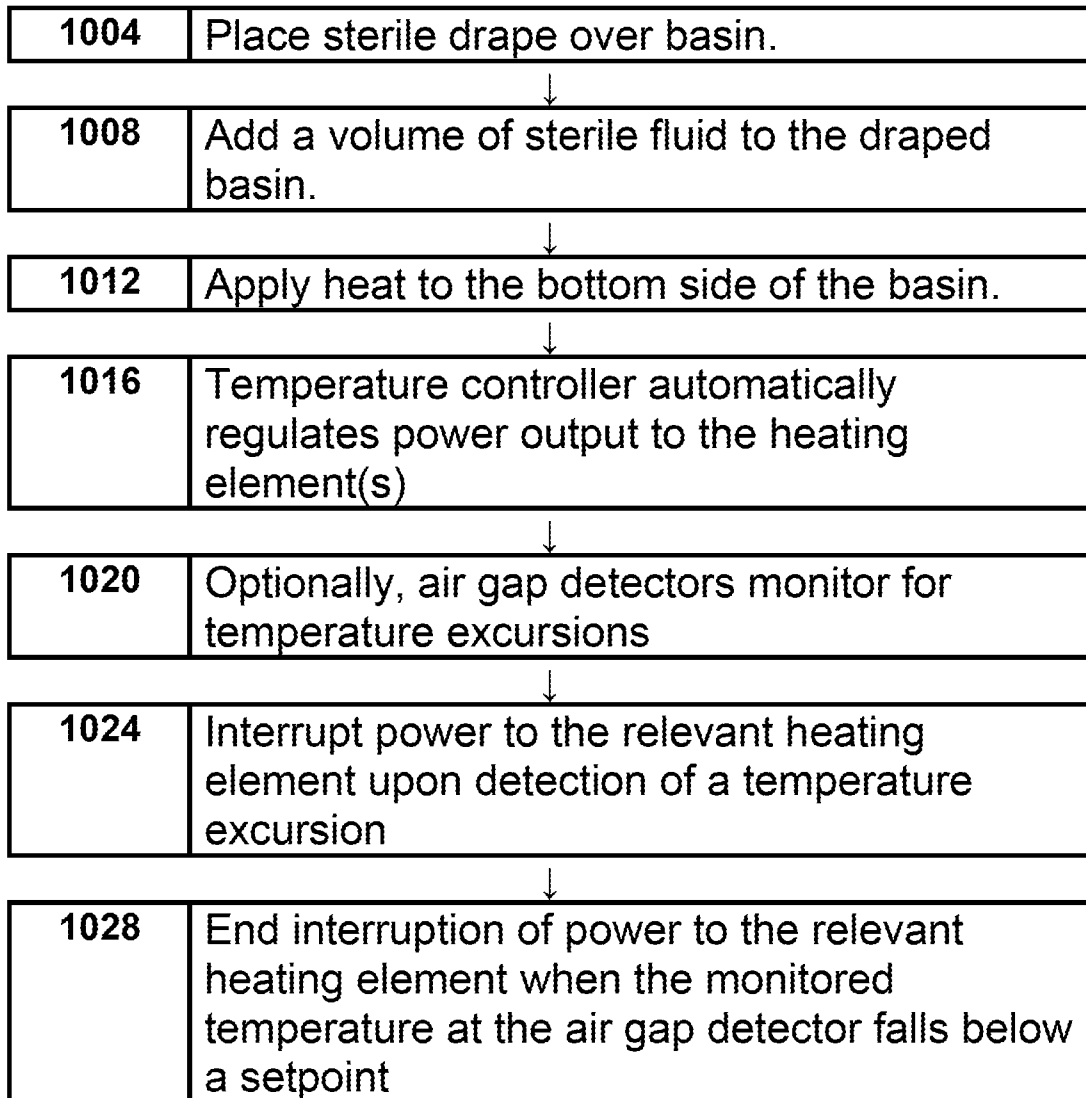


FIG. 16



9/31

FIG. 17**1000**

10/31

FIG. 18
400

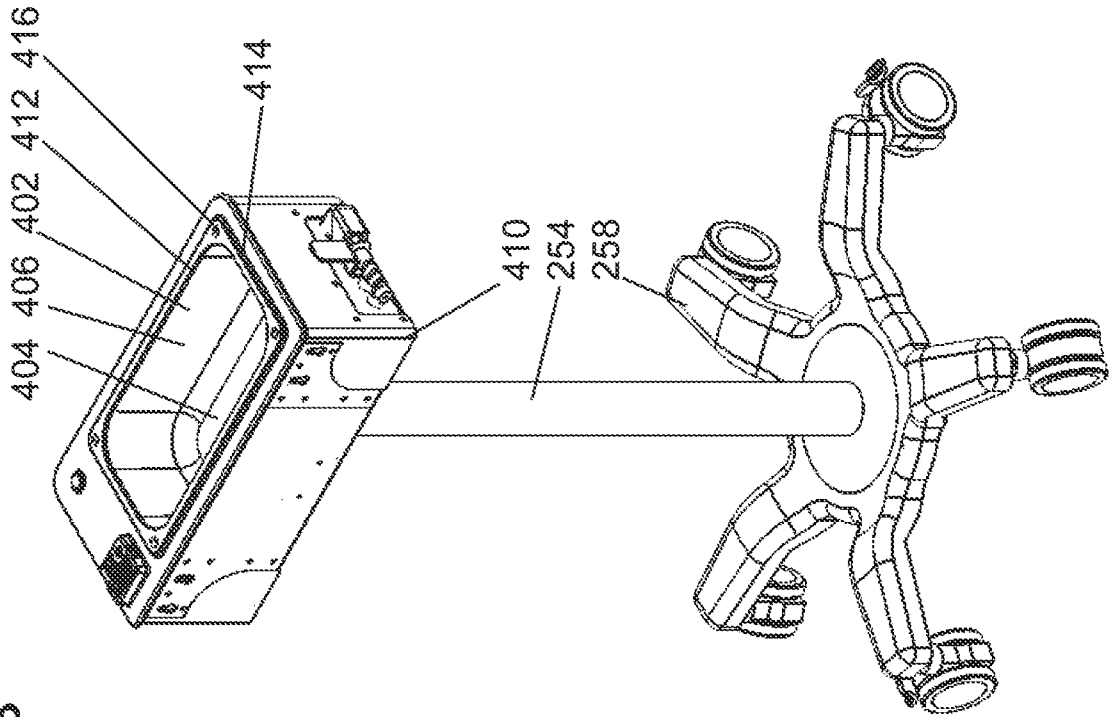
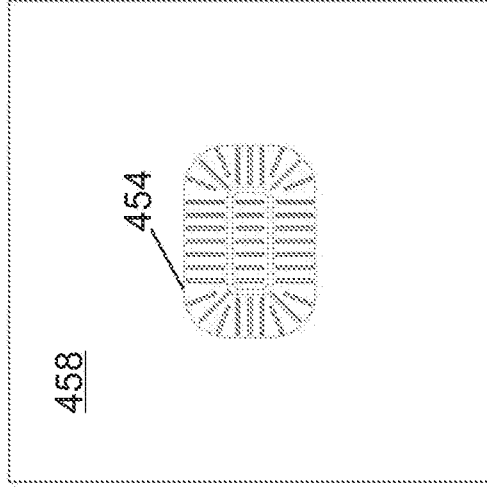


FIG. 19
450



11/31

FIG. 20

470

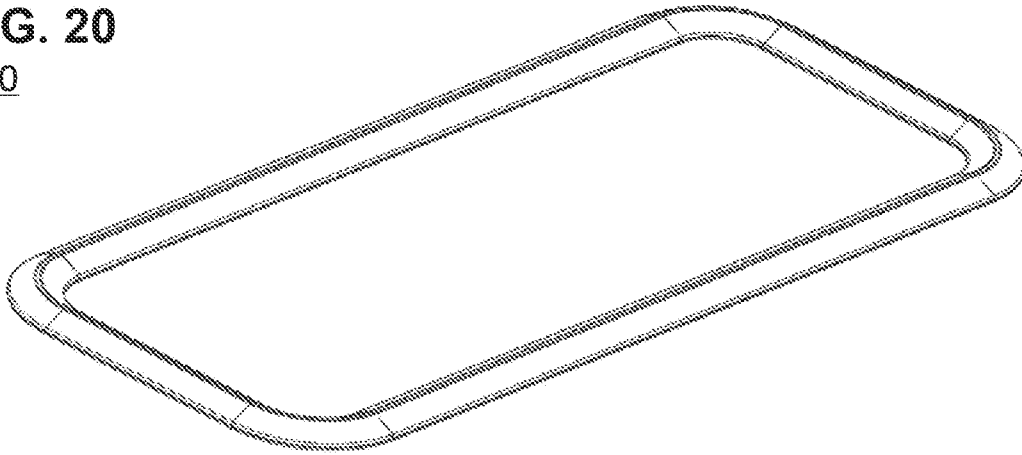
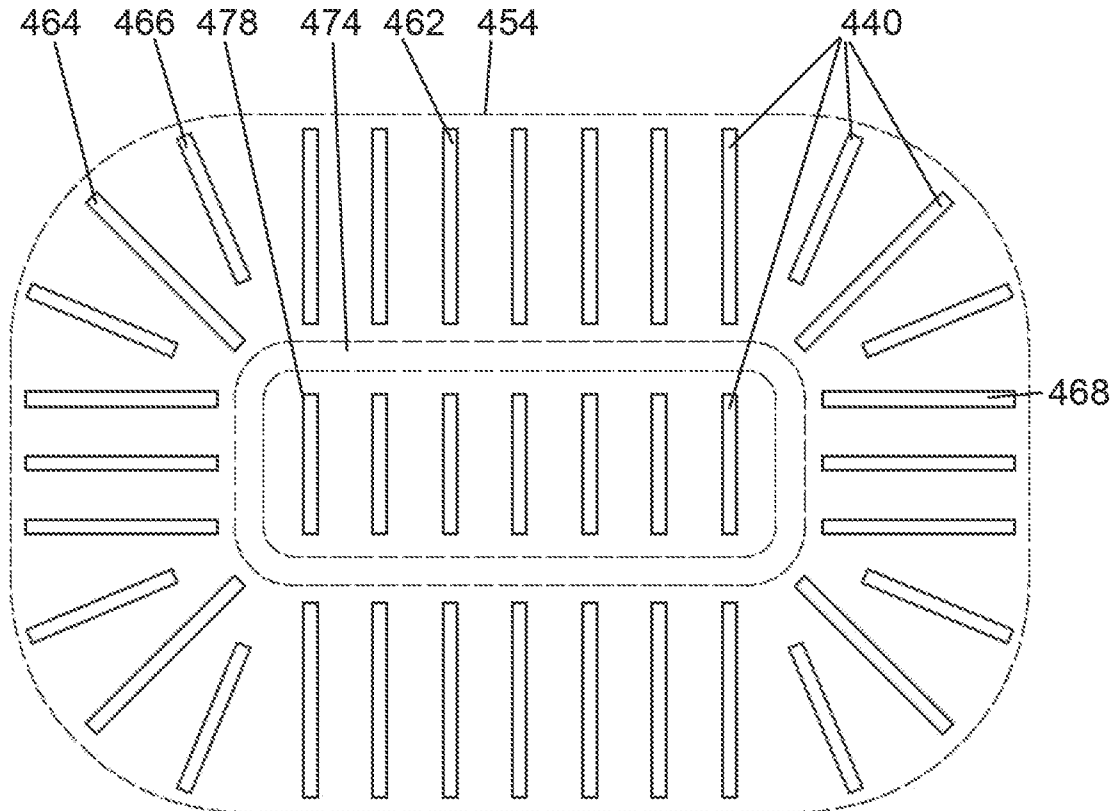


FIG. 21



12/31

FIG. 22

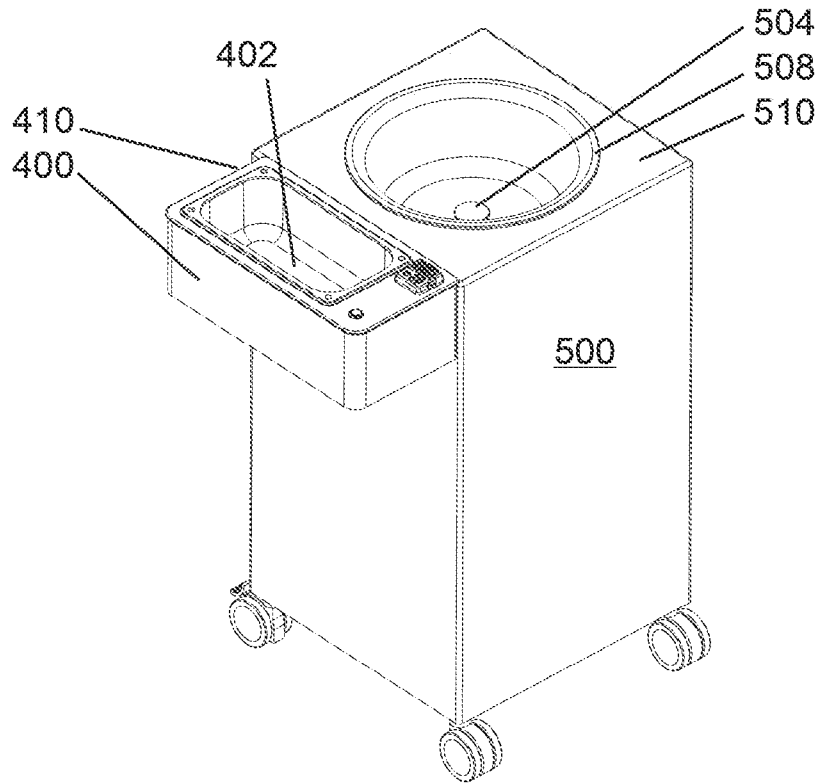
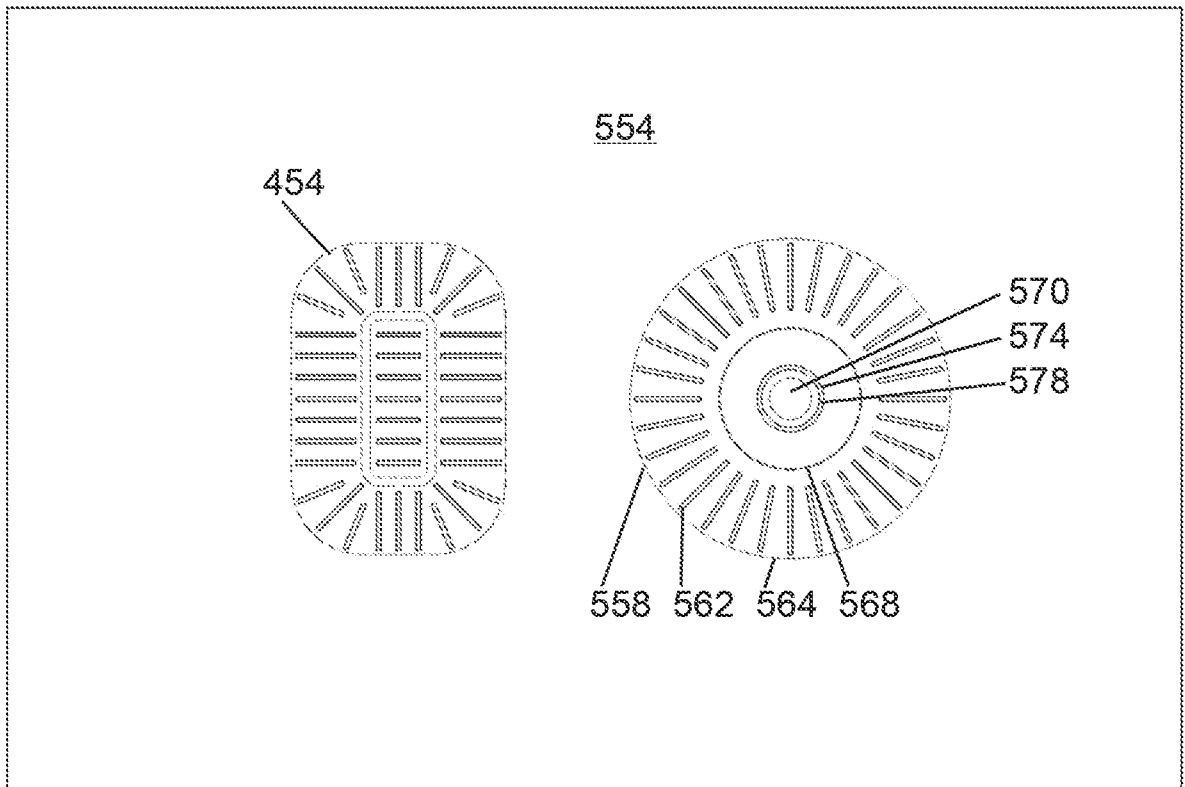


FIG. 23

550



13/31

FIG. 24

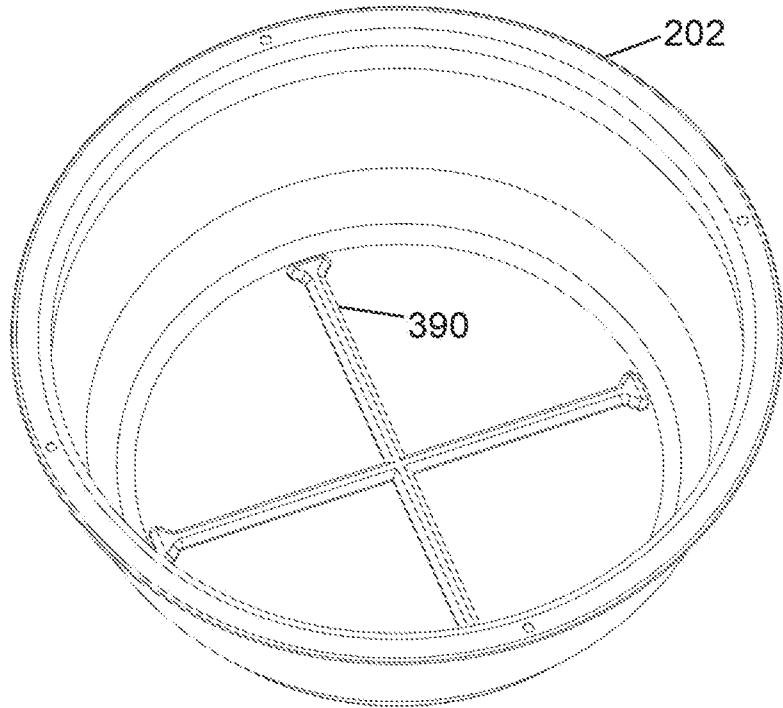
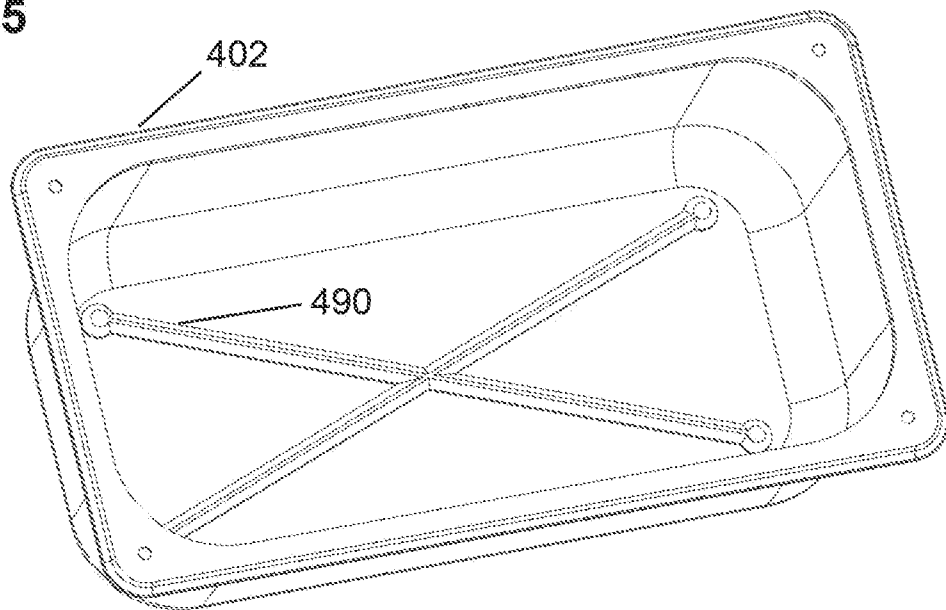


FIG. 25



14/31

FIG. 26

600

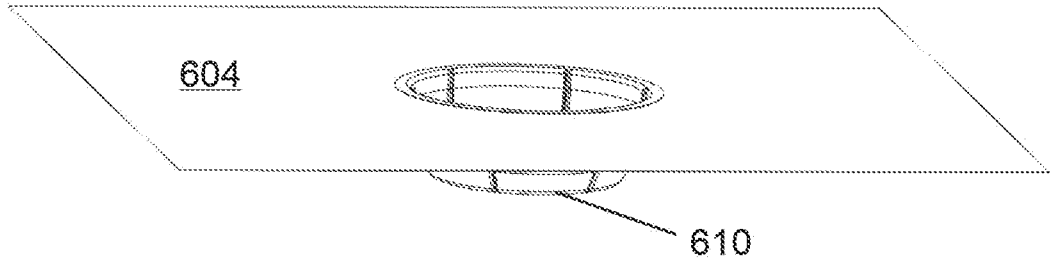
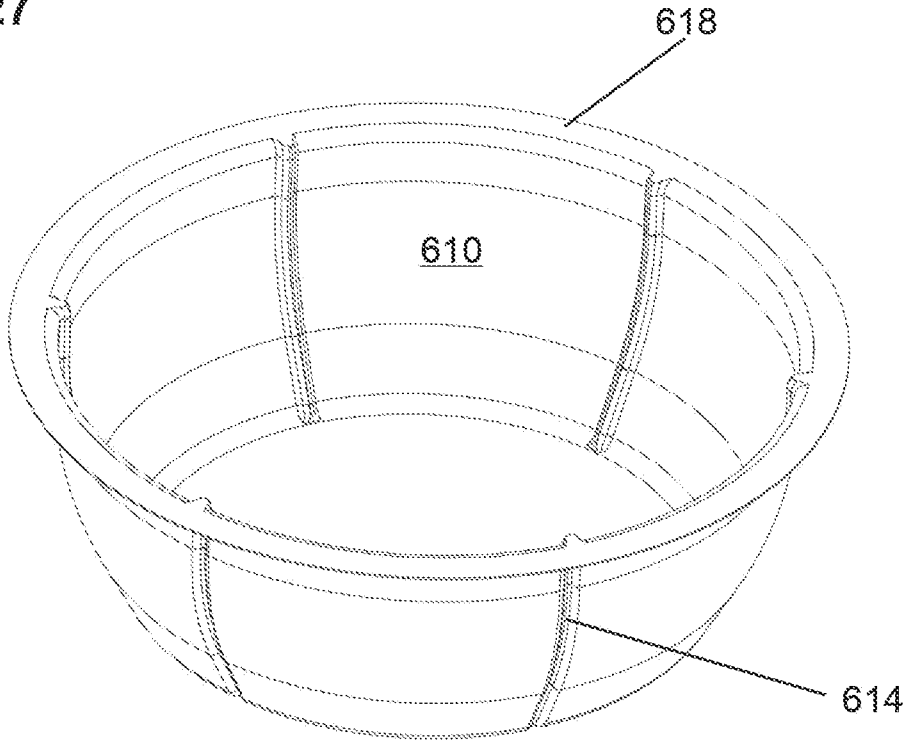


FIG. 27



15/31

FIG. 28
700

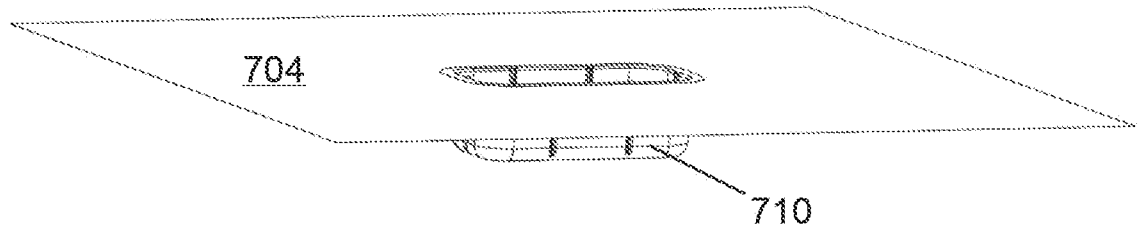
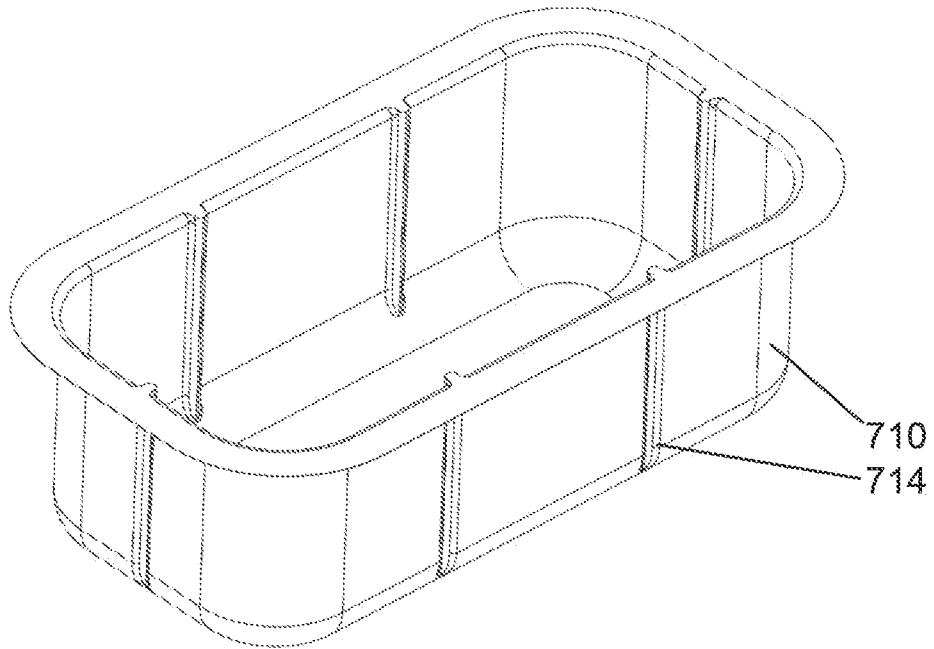


FIG. 29



16/31

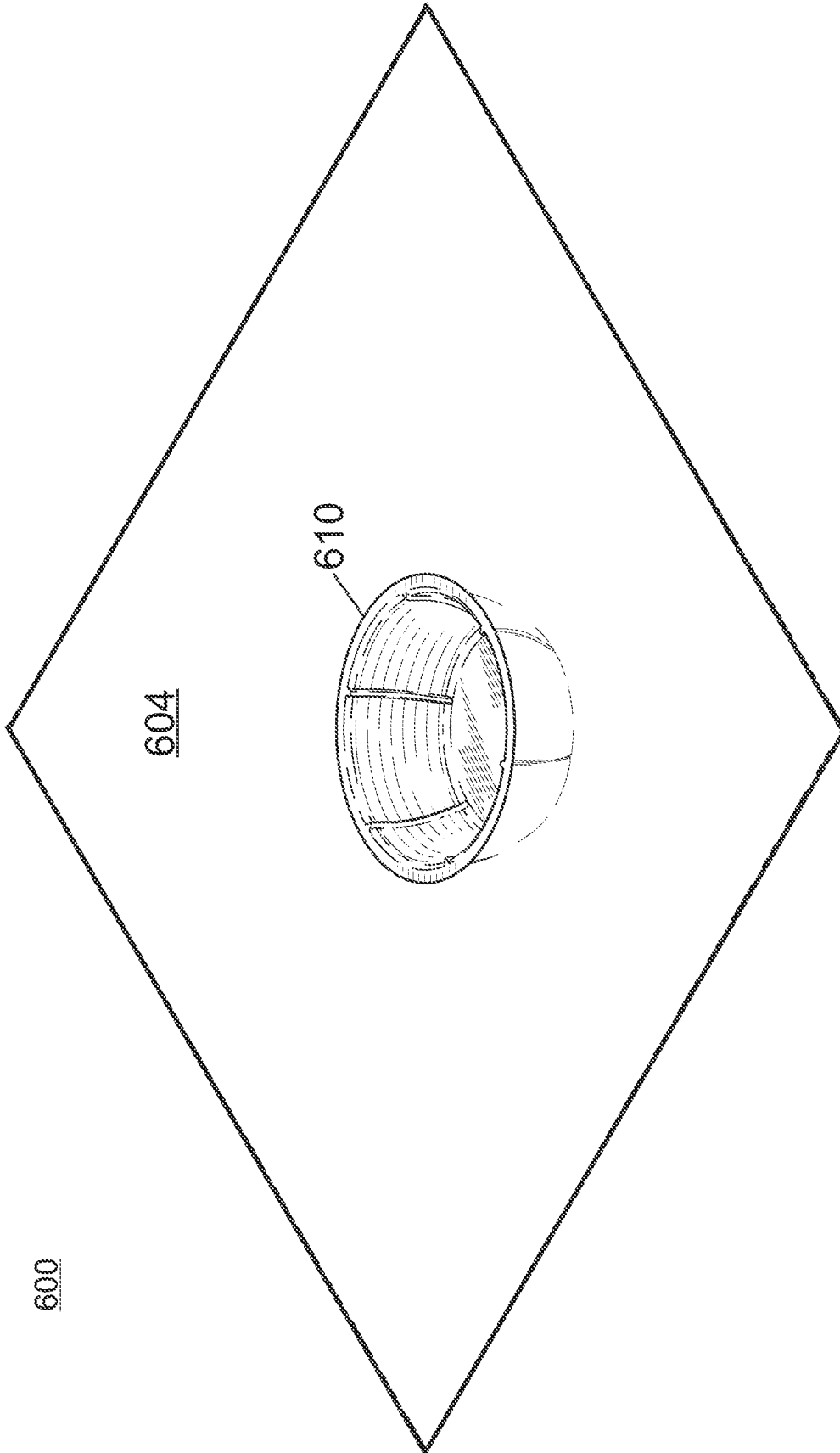


FIG. 30

600

17/31

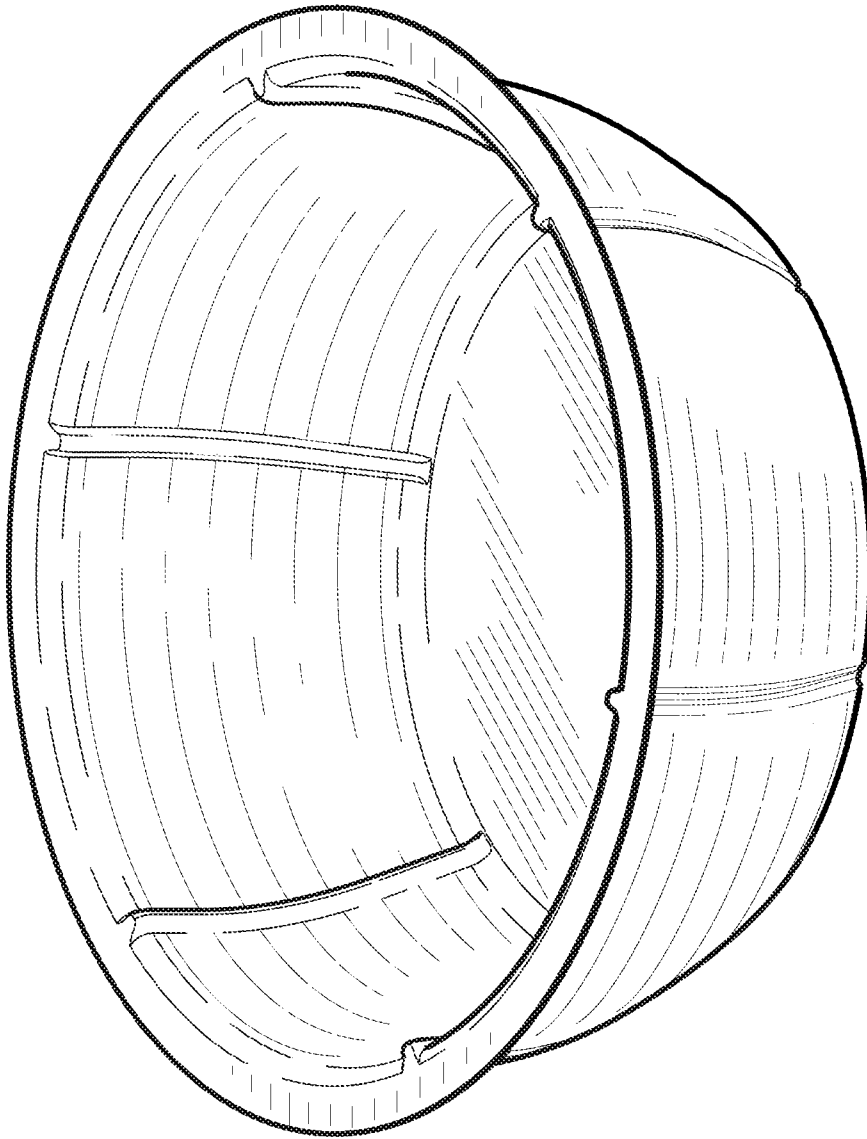


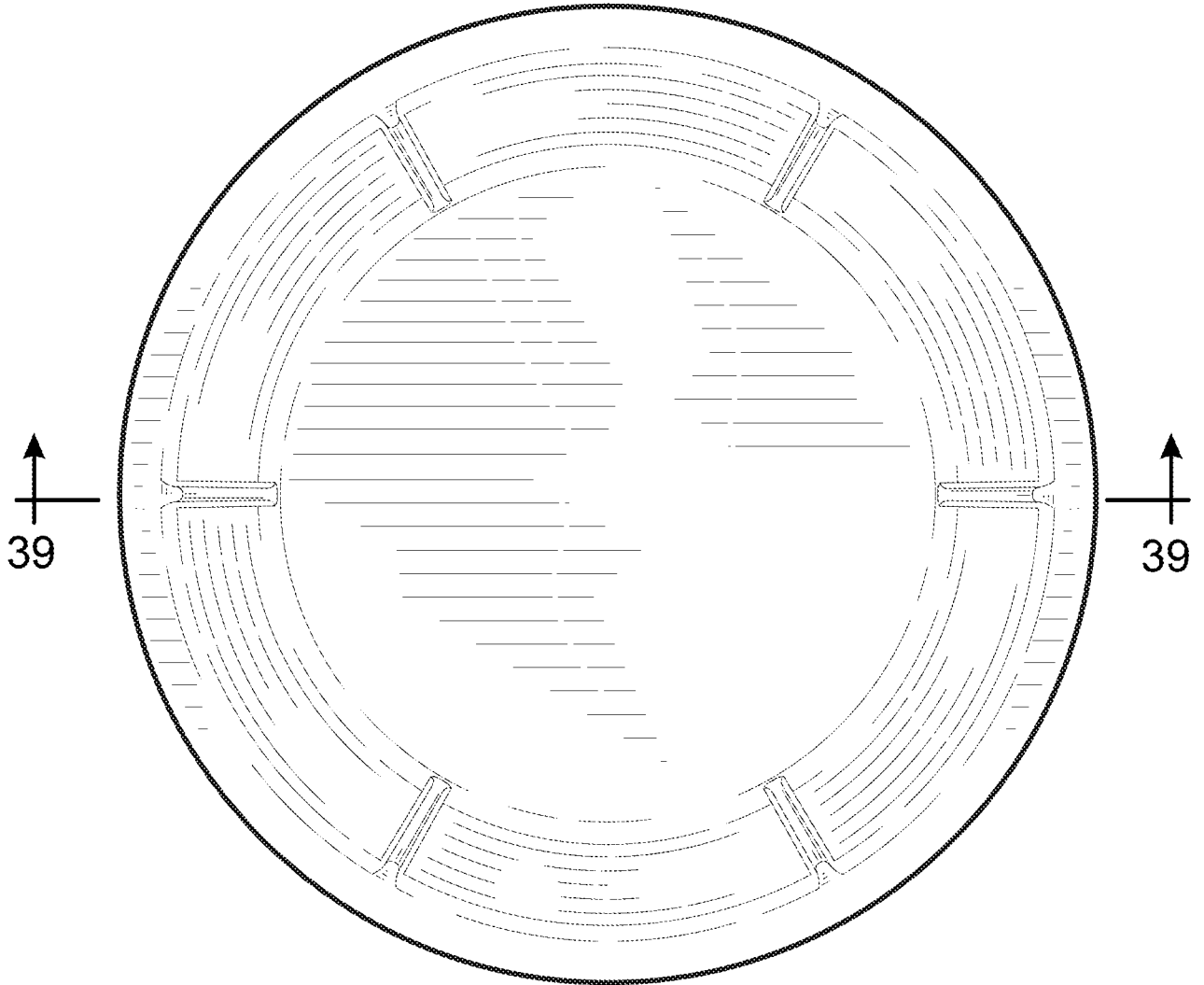
FIG. 31

610

18/31

FIG. 32

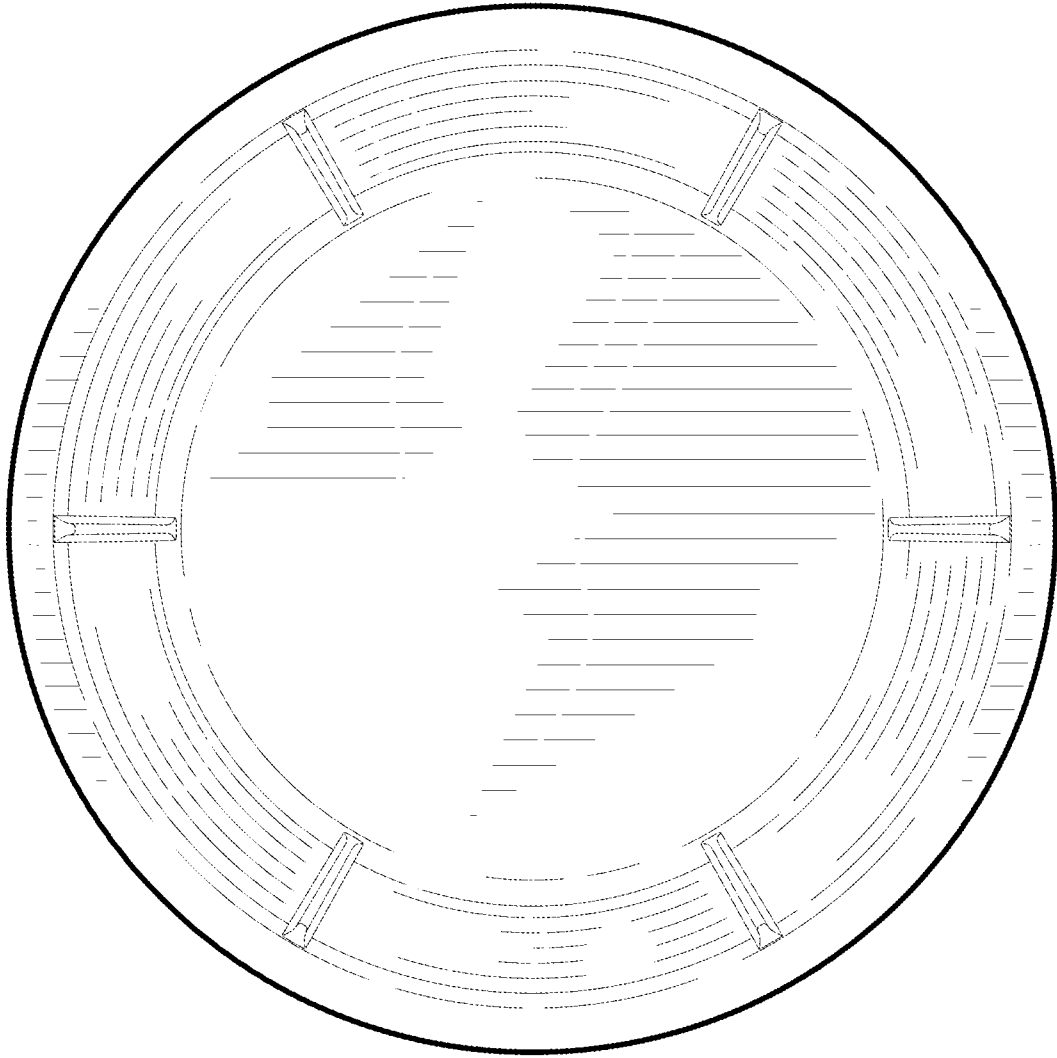
610



19/31

FIG. 33

610



20/31

FIG. 34

610

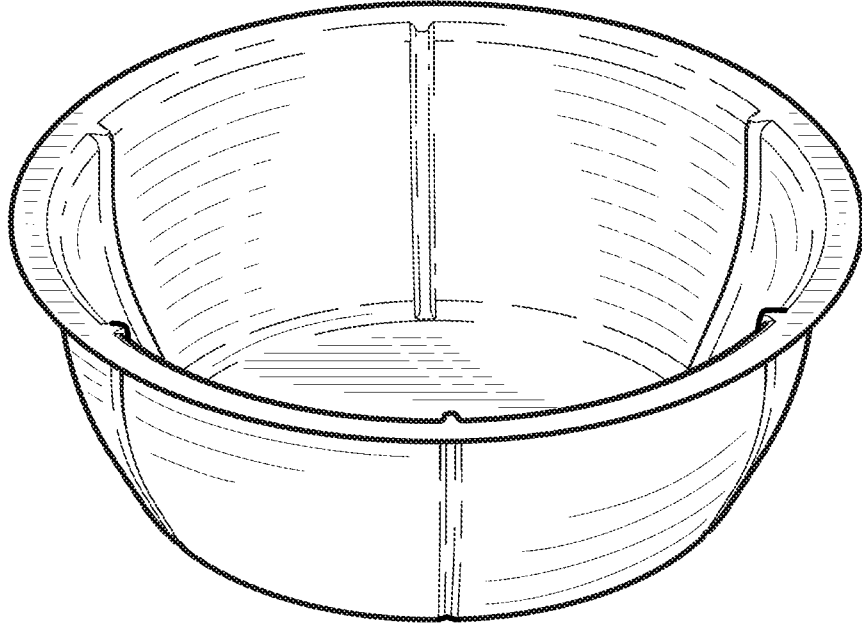
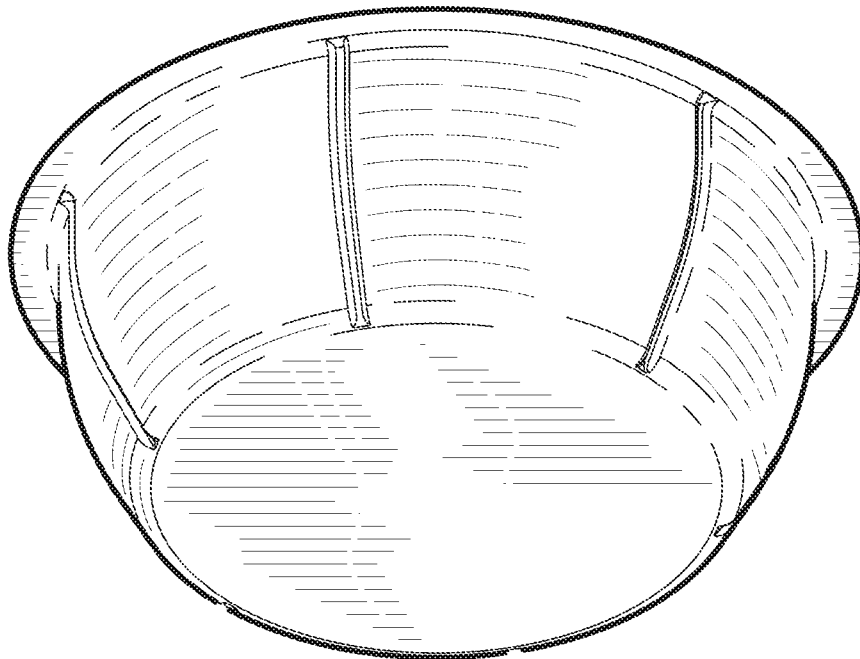


FIG. 35

610



21/31

FIG. 36 610

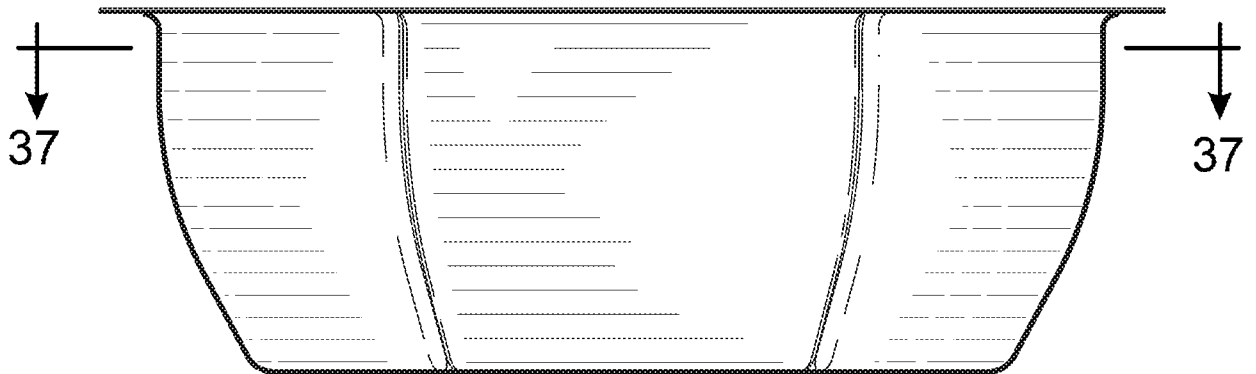
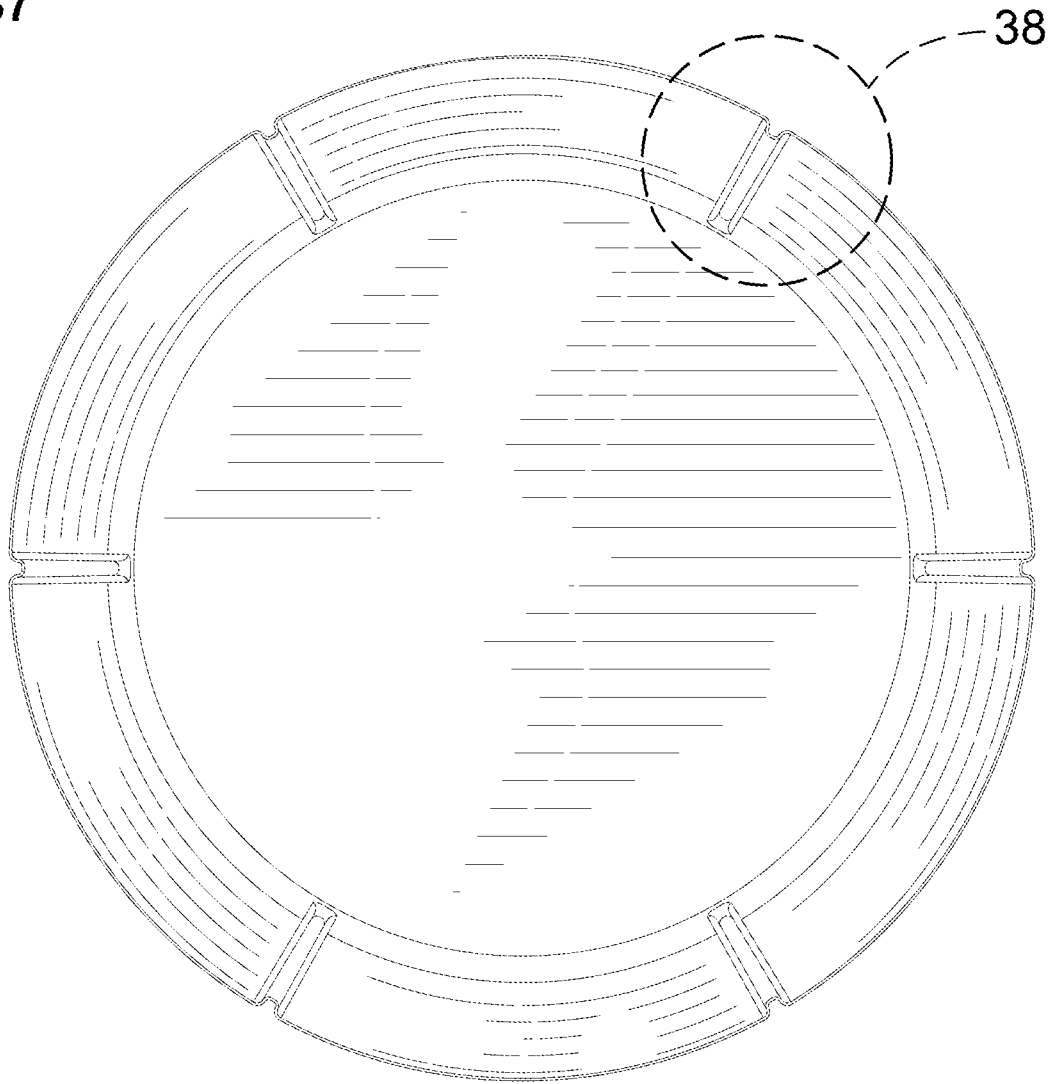


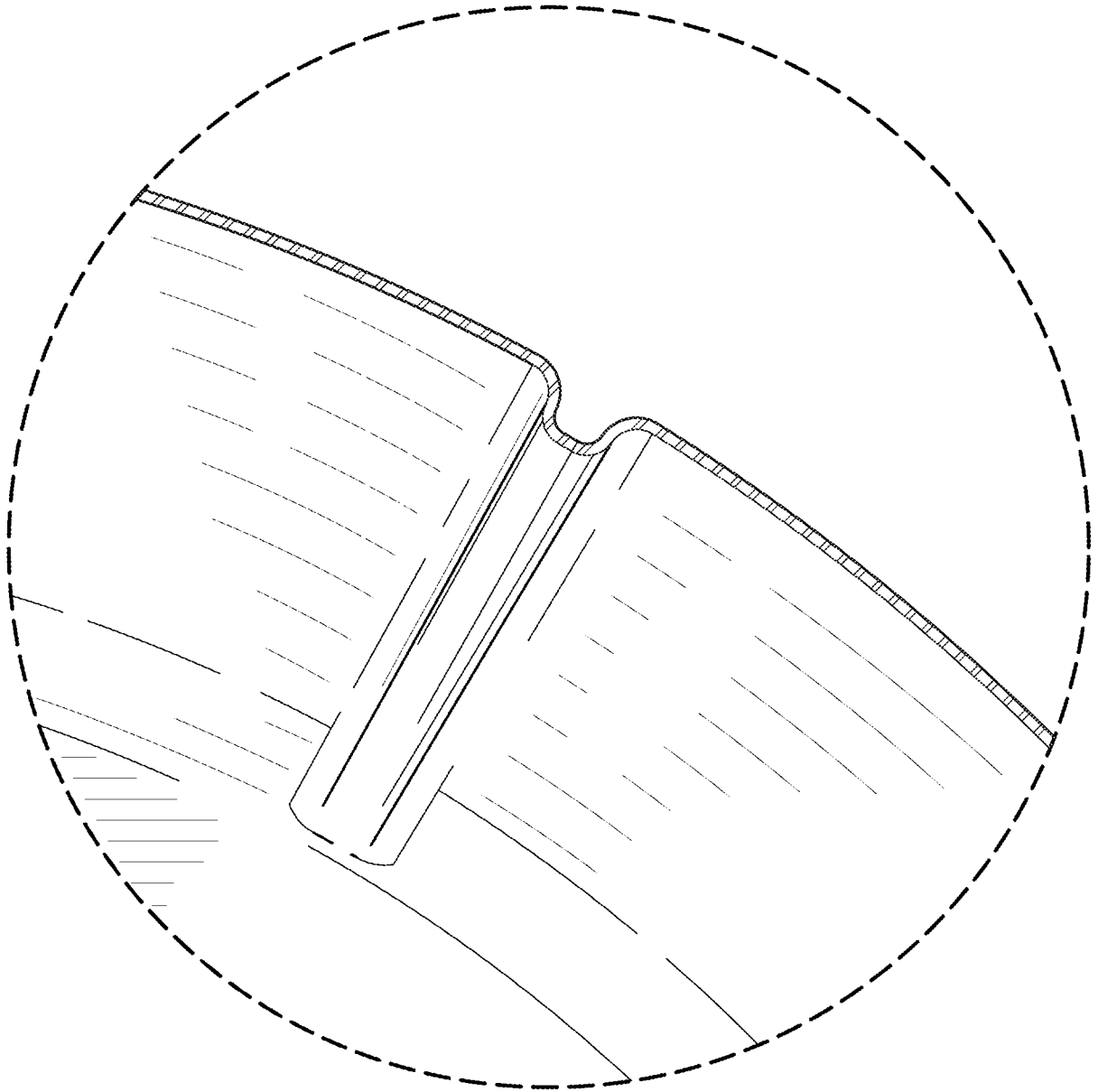
FIG. 37
610



22/31

FIG. 38

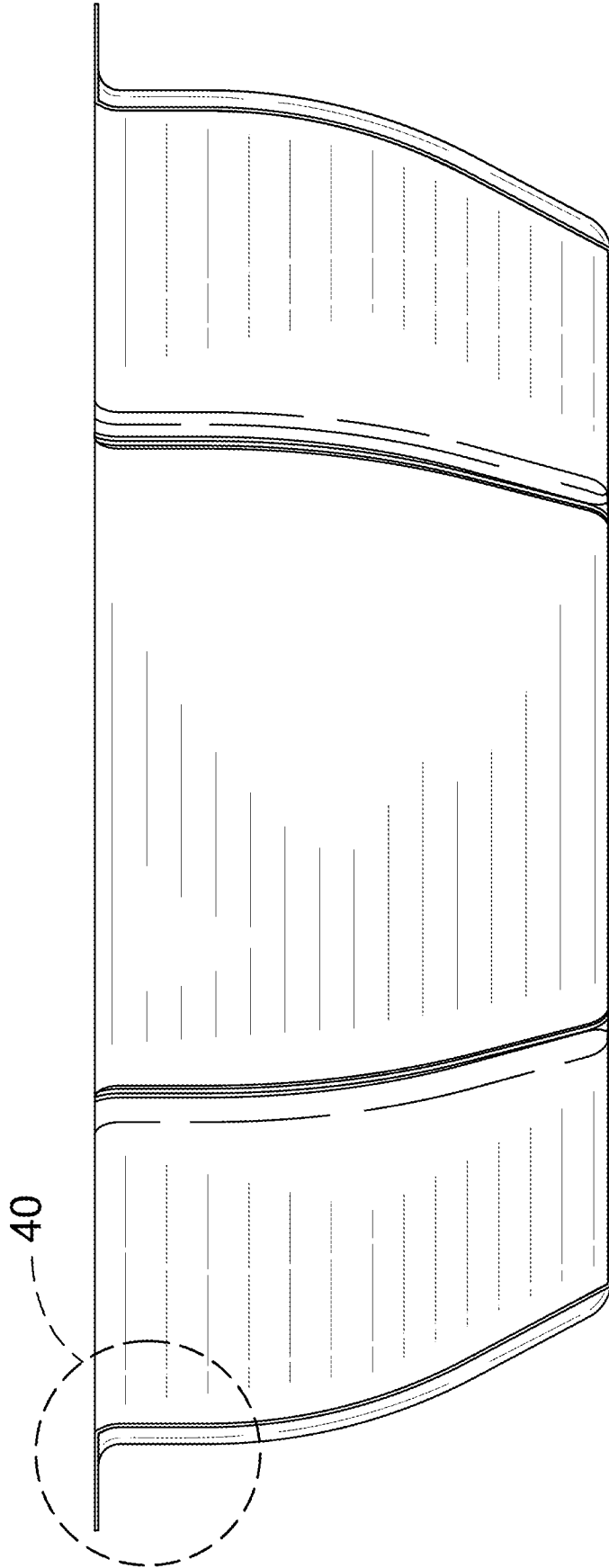
610



23/31

FIG. 39

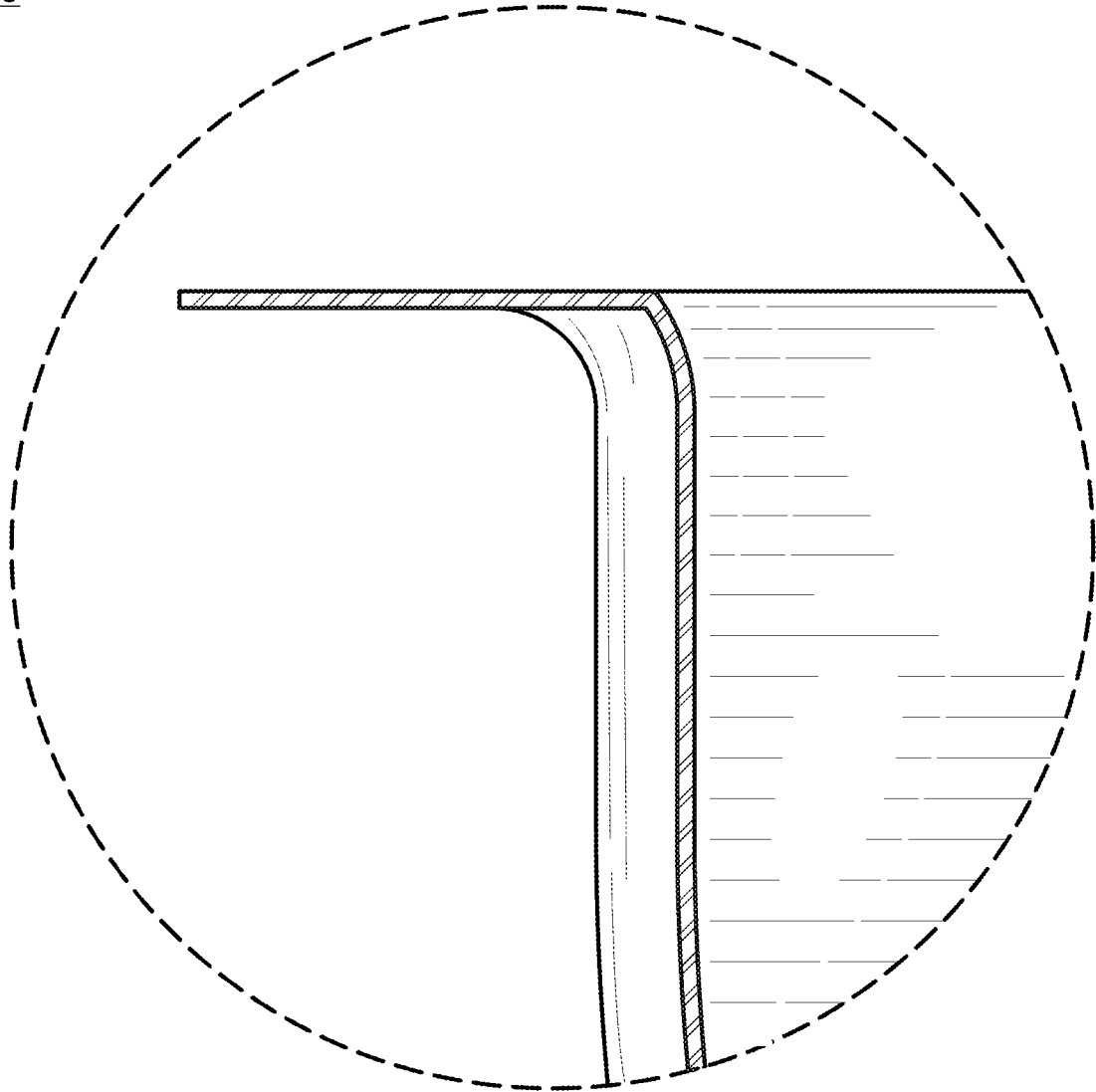
610



24/31

FIG. 40

610



25/31

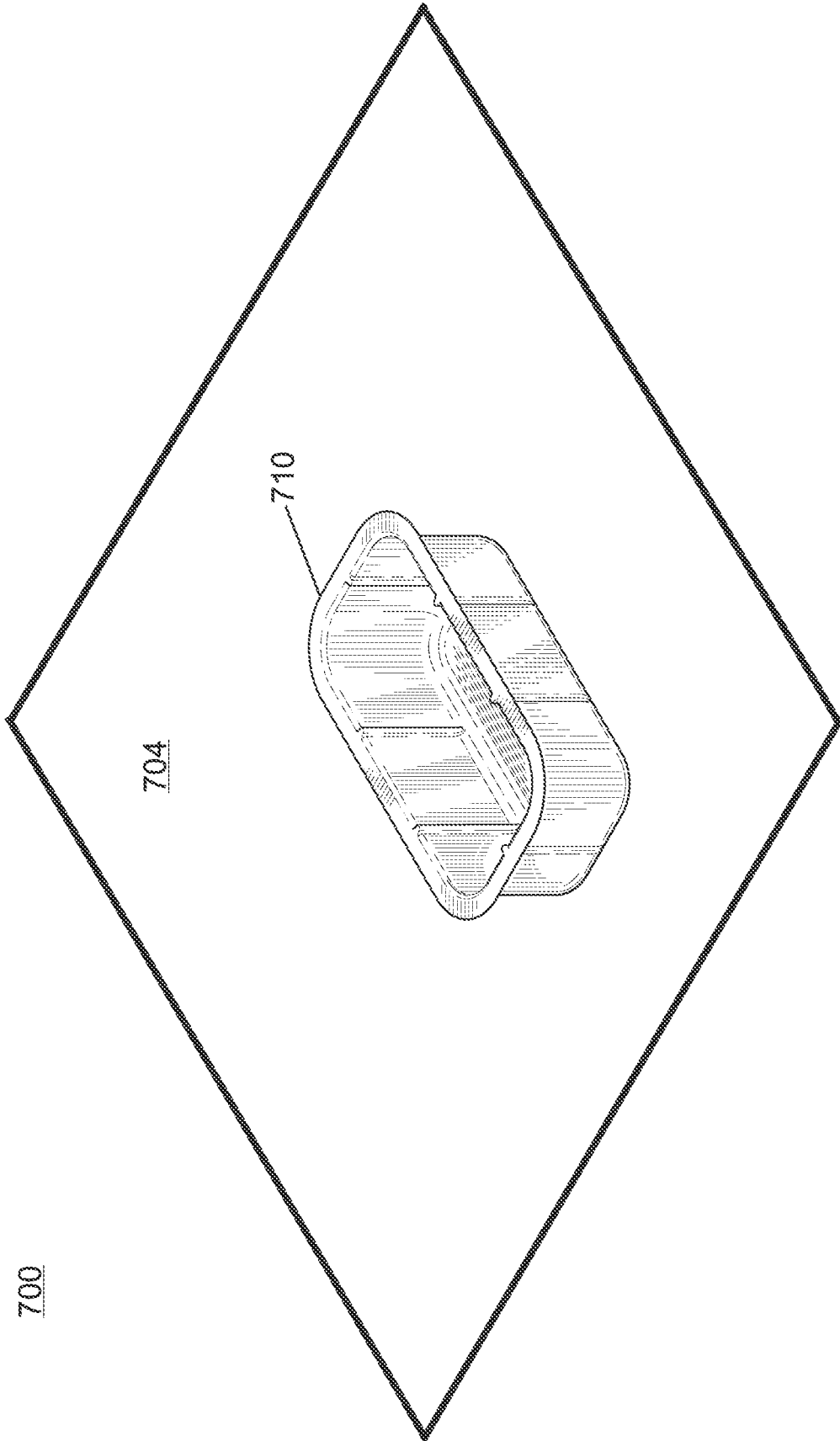


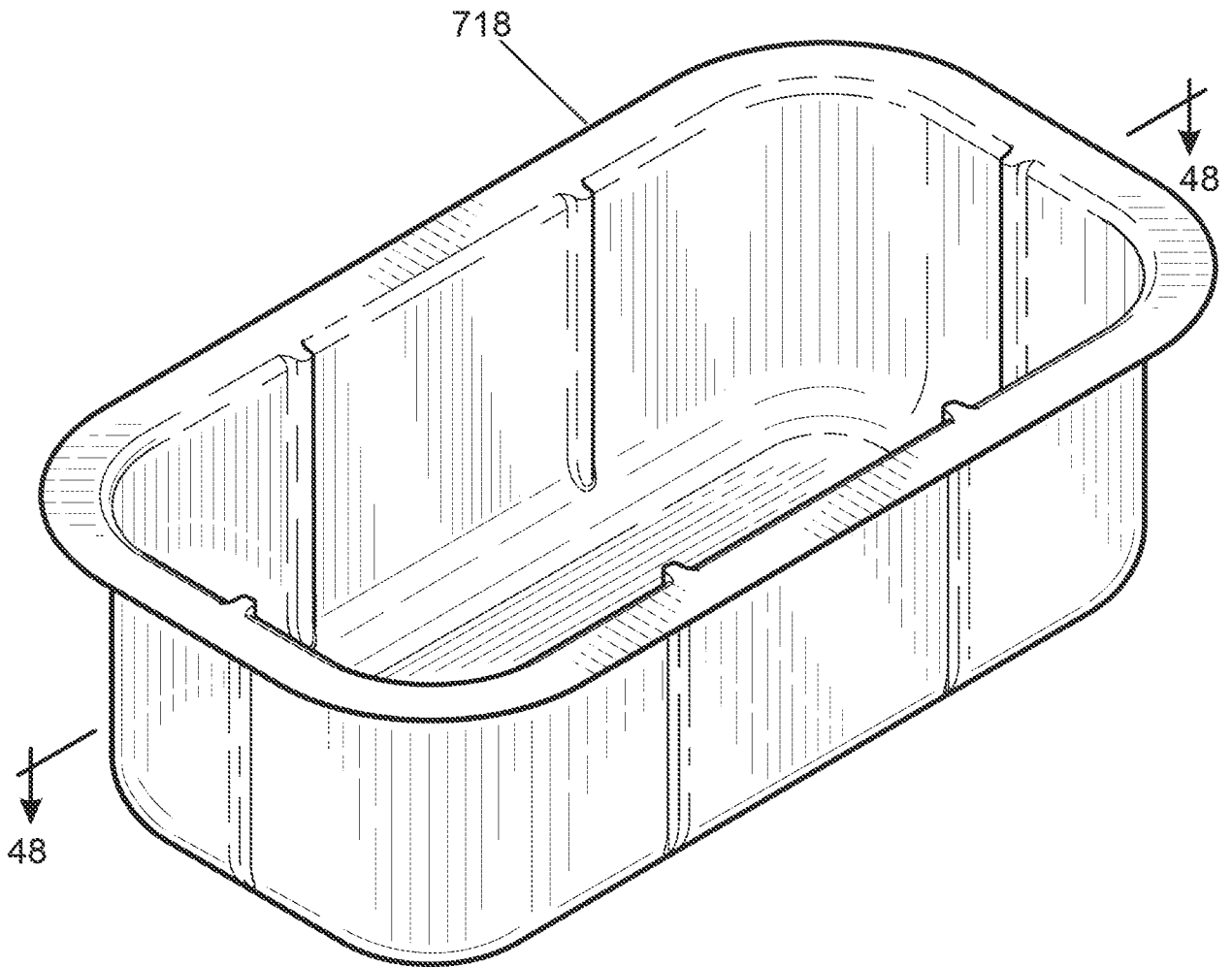
FIG. 41

700

26/31

FIG. 42

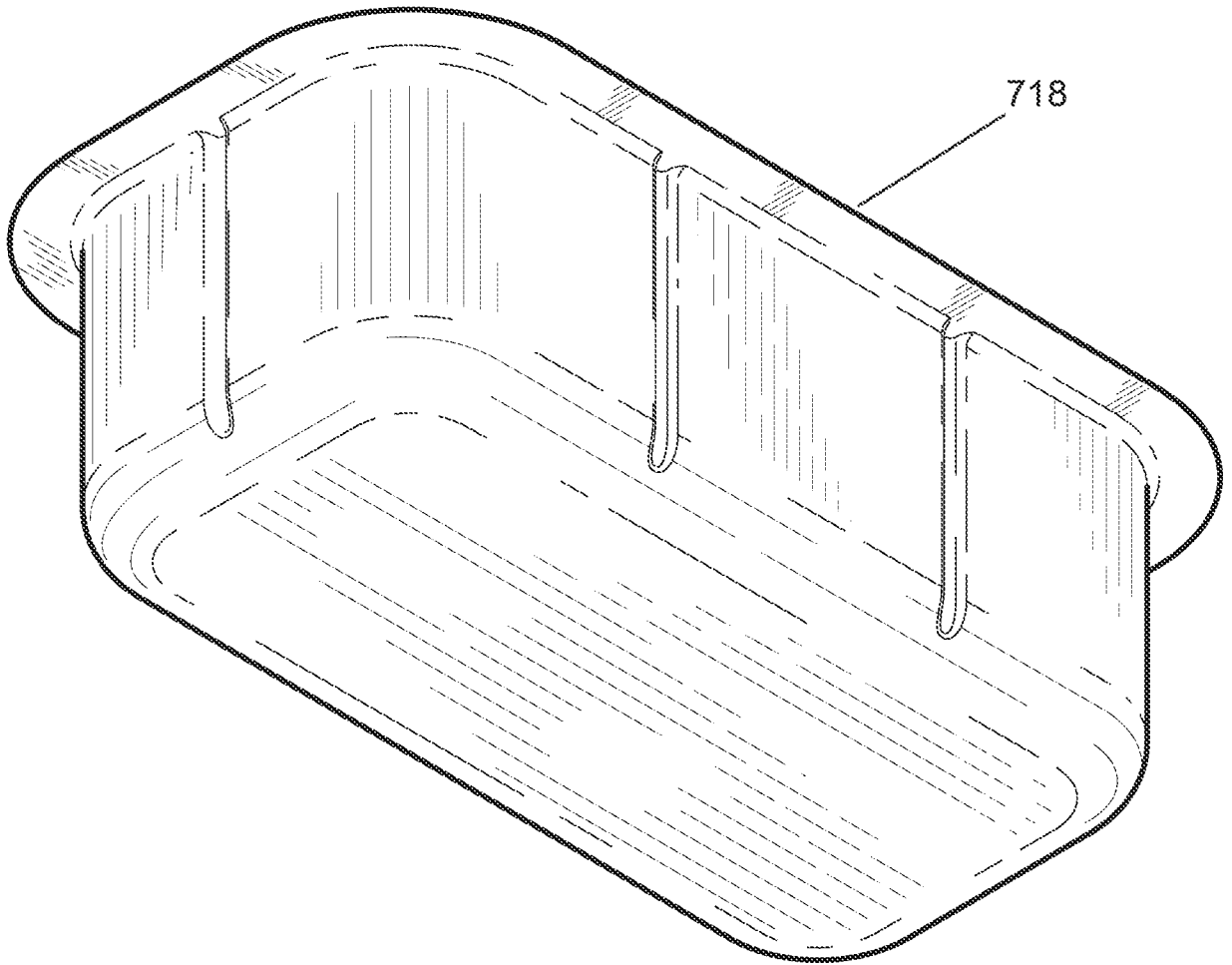
710



27/31

FIG. 43

710



28/31

FIG. 44

710

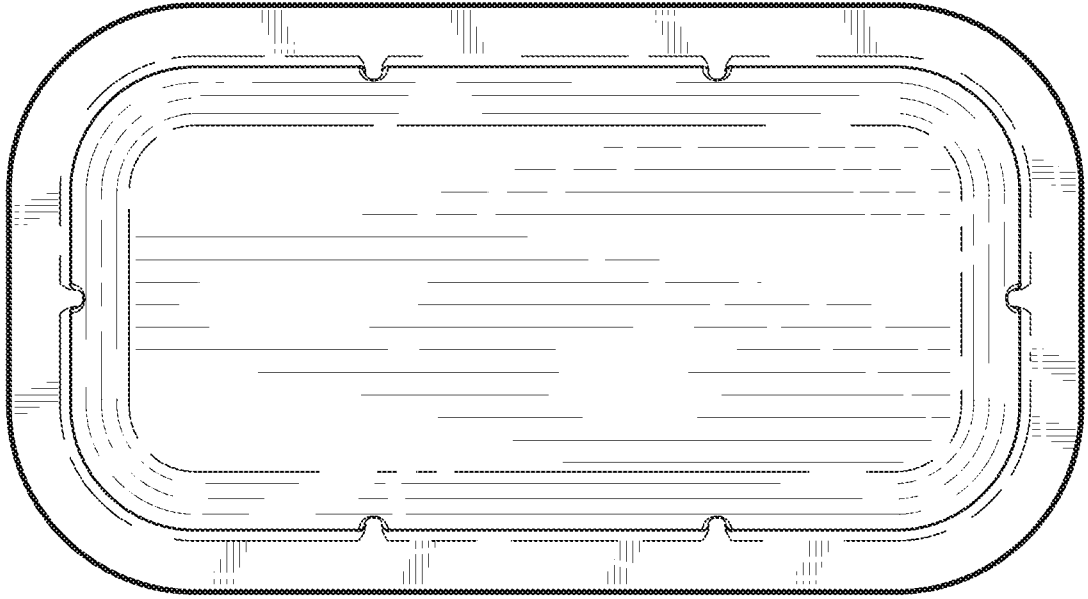
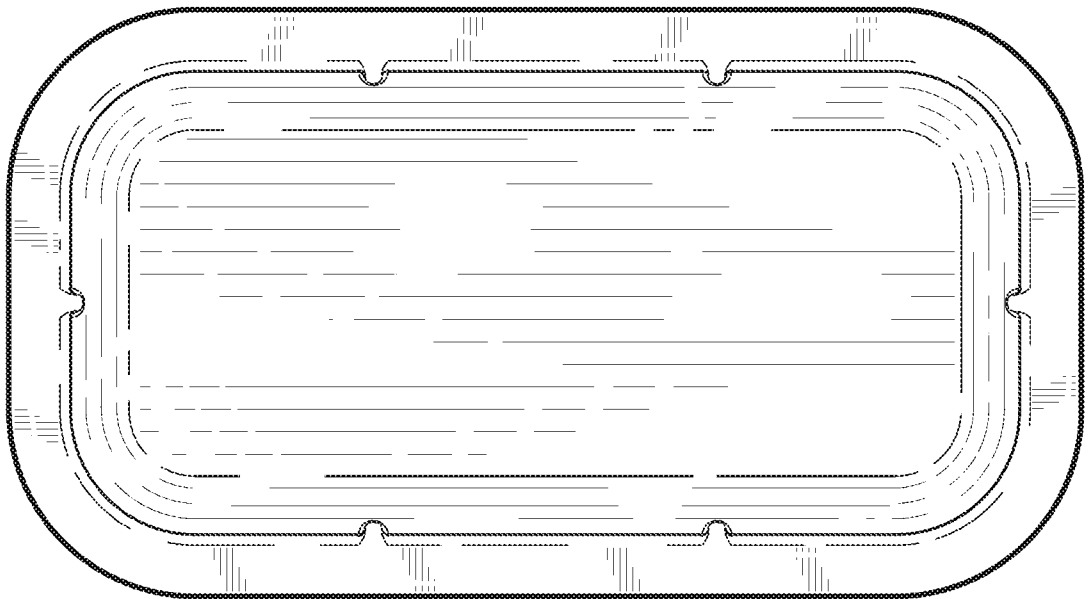


FIG. 45

710



29/31

FIG. 46

710

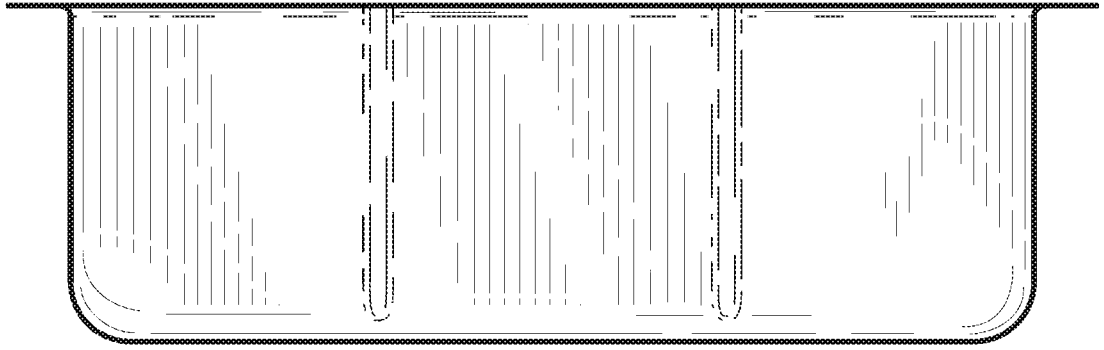
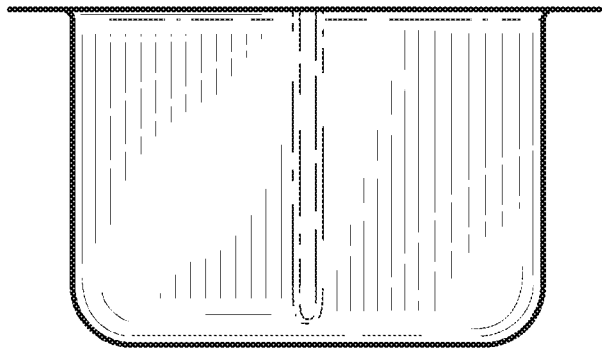


FIG. 47

710



30/31

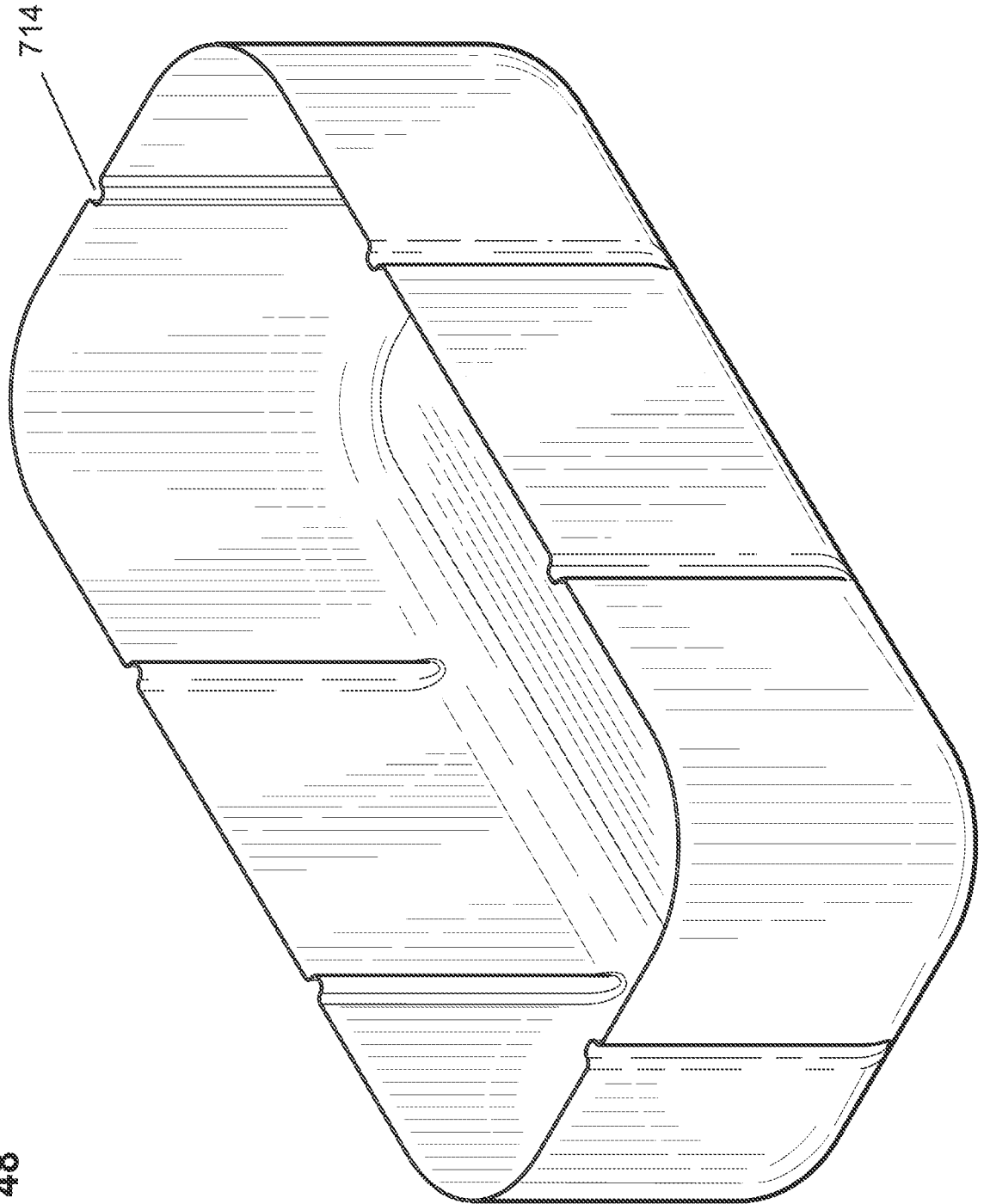


FIG. 48

710

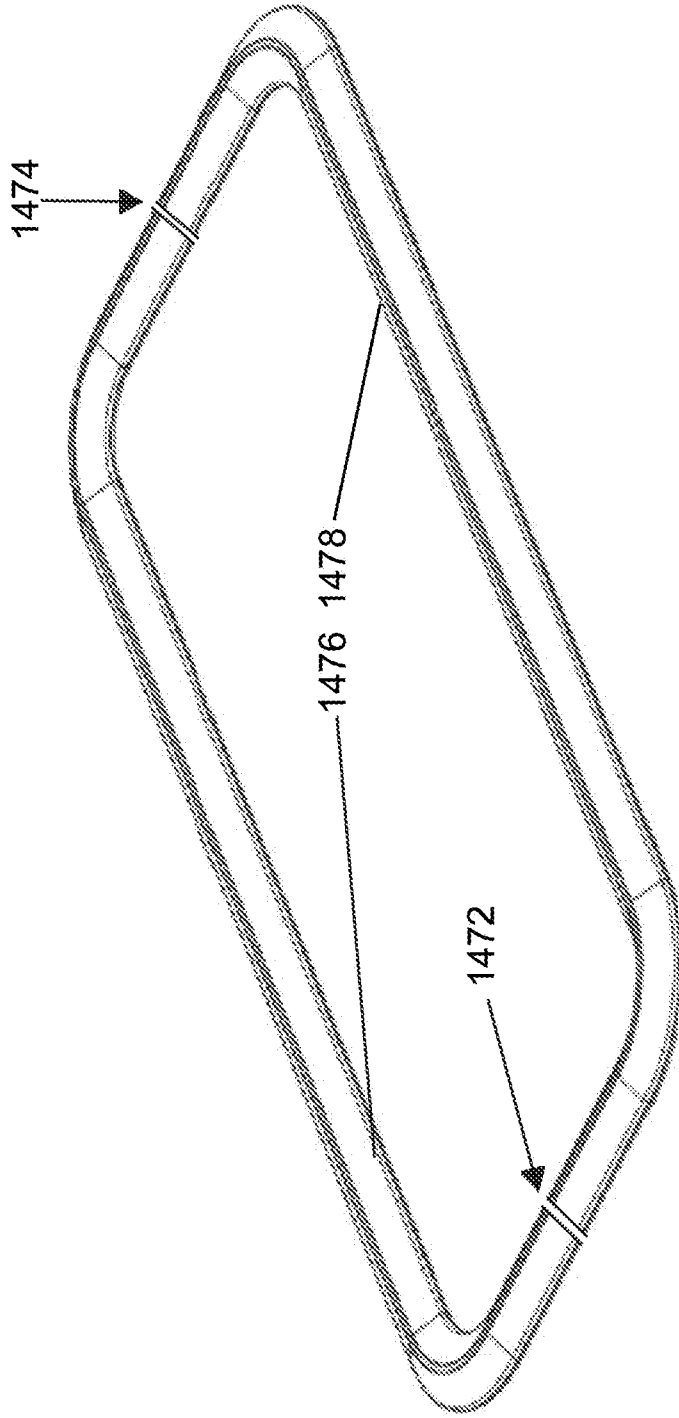


FIG. 49

1470

