

(19) World Intellectual Property Organization
International Bureau



(43) International Publication Date
29 December 2004 (29.12.2004)

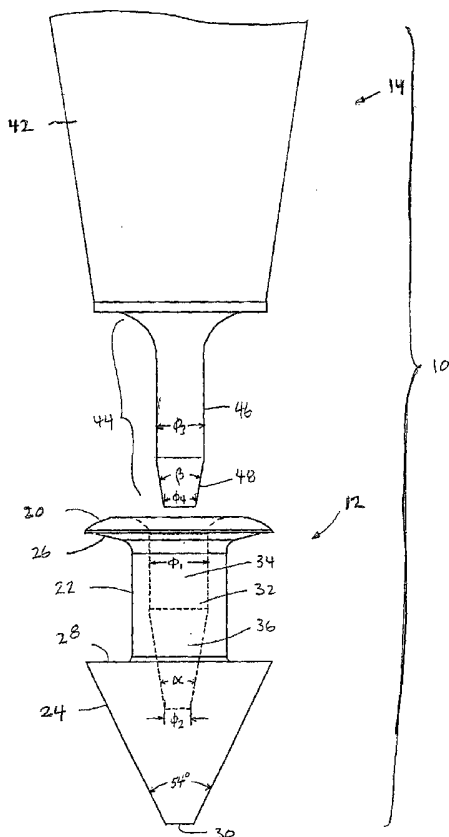
PCT

(10) International Publication Number
WO 2004/112639 A3

- (51) International Patent Classification⁷: **A61B 17/00**
- (21) International Application Number: PCT/US2004/015759
- (22) International Filing Date: 20 May 2004 (20.05.2004)
- (25) Filing Language: English
- (26) Publication Language: English
- (30) Priority Data: 10/443,298 22 May 2003 (22.05.2003) US
- (71) Applicant (for all designated States except US): **EAGLE VISION, INC.** [US/US]; 8500 Wolf Lake Drive, Suite 110, Memphis, TN 38184 (US).
- (72) Inventors: **PRESCOTT, Anthony, D.**; 8624 North Lake Cove, Arlington, TN 38002 (US). **MENDIUS, Richard, W.**; 448 Burrows Road, Collierville, TN 38017 (US).
- (74) Agents: **GORDON, David, P.** et al.; Gordon & Jacobson, P.C., 60 Long Ridge Road, Suite 407, Stamford, CT 06902 (US).
- (81) Designated States (unless otherwise indicated, for every kind of national protection available): AE, AG, AL, AM, AT, AU, AZ, BA, BB, BG, BR, BW, BY, BZ, CA, CH, CN, CO, CR, CU, CZ, DE, DK, DM, DZ, EC, EE, EG, ES, FI, GB, GD, GE, GH, GM, HR, HU, ID, IL, IN, IS, JP, KE, KG, KP, KR, KZ, LC, LK, LR, LS, LT, LU, LV, MA, MD, MG, MK, MN, MW, MX, MZ, NA, NI, NO, NZ, OM, PG, PH, PL, PT, RO, RU, SC, SD, SE, SG, SK, SL, SY, TJ, TM, TN, TR, TT, TZ, UA, UG, US, UZ, VC, VN, YU, ZA, ZM, ZW.
- (84) Designated States (unless otherwise indicated, for every kind of regional protection available): ARIPO (BW, GH, GM, KE, LS, MW, MZ, NA, SD, SL, SZ, TZ, UG, ZM, ZW), Eurasian (AM, AZ, BY, KG, KZ, MD, RU, TJ, TM), European (AT, BE, BG, CH, CY, CZ, DE, DK, EE, ES, FI, FR, GB, GR, HU, IE, IT, LU, MC, NL, PL, PT, RO, SE, SI,

[Continued on next page]

(54) Title: PUNCTUM PLUG SYSTEM INCLUDING A PUNCTUM PLUG AND PASSIVE INSERTION TOOL THEREFOR



(57) Abstract: A punctum plug system includes a punctum plug and an insertion tool therefor. In various embodiments of the invention, the plug includes an axial bore shaped in accord with a stepped cylinder, a cylinder having a tapered end, or a combination thereof. In each embodiment, a relatively proximal portion of the tip of the insertion tool extends within a relatively larger diameter proximal portion of the plug bore but does not frictionally engage such portion, and a relatively distal portion of the insertion tool tip frictionally engages the distal portion of the plug bore. The frictional engagement between the tool tip and the plug is preferably optimized such that once the plug is inserted into a punctum for which the plug is appropriately sized, the insertion tool may be removed simply by withdrawal of the tool, without wiggling the tool or stabilizing the plug with a second instrument.

WO 2004/112639 A3



SK, TR), OAPI (BF, BJ, CF, CG, CI, CM, GA, GN, GQ, GW, ML, MR, NE, SN, TD, TG).

For two-letter codes and other abbreviations, refer to the "Guidance Notes on Codes and Abbreviations" appearing at the beginning of each regular issue of the PCT Gazette.

Published:

- *with international search report*
- *before the expiration of the time limit for amending the claims and to be republished in the event of receipt of amendments*

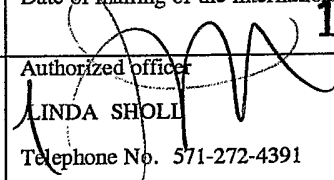
(88) Date of publication of the international search report:

12 May 2005

INTERNATIONAL SEARCH REPORT

International application No.

PCT/US04/15759

A. CLASSIFICATION OF SUBJECT MATTER IPC(7) : A 61 B 17/00 US CL : 128/887 According to International Patent Classification (IPC) or to both national classification and IPC		
B. FIELDS SEARCHED Minimum documentation searched (classification system followed by classification symbols) U.S. : 128/887, 846, 888, 898; 606/107, 207, 210; 604/4, 8, 294 Documentation searched other than minimum documentation to the extent that such documents are included in the fields searched Electronic data base consulted during the international search (name of data base and, where practicable, search terms used) EAST, STIC		
C. DOCUMENTS CONSIDERED TO BE RELEVANT		
Category *	Citation of document, with indication, where appropriate, of the relevant passages	Relevant to claim No.
Y	US 4 915 684 A (MacKEEN et al.) 10 April 1990, see entire document.	1-9, 11-25, 27-32, 34-39, 42-45
Y	DES. 295 445 S (FREEMAN) 26 April 1988, see entire document.	1-9, 11-25, 27-32, 34-39, 42-44
Y	US 6 016 806 A (WEBB) 25 Januray 2000, see entire document.	10
X	US 6 041 785 A (WEBB) 28 March 2000, see entire document.	40, 41
---		-----
Y		26, 33
Y	US 4 959 048 A (SEDER et al.) 25 September 1990, see entire document.	45
<input type="checkbox"/> Further documents are listed in the continuation of Box C. <input type="checkbox"/> See patent family annex.		
* Special categories of cited documents:		
"A" document defining the general state of the art which is not considered to be of particular relevance	"T"	later document published after the international filing date or priority date and not in conflict with the application but cited to understand the principle or theory underlying the invention
"E" earlier application or patent published on or after the international filing date	"X"	document of particular relevance; the claimed invention cannot be considered novel or cannot be considered to involve an inventive step when the document is taken alone
"L" document which may throw doubts on priority claim(s) or which is cited to establish the publication date of another citation or other special reason (as specified)	"Y"	document of particular relevance; the claimed invention cannot be considered to involve an inventive step when the document is combined with one or more other such documents, such combination being obvious to a person skilled in the art
"O" document referring to an oral disclosure, use, exhibition or other means	"&"	document member of the same patent family
"P" document published prior to the international filing date but later than the priority date claimed		
Date of the actual completion of the international search	Date of mailing of the international search report	
26 February 2005 (26.02.2005)	10 MAR 2005	
Name and mailing address of the ISA/US Mail Stop PCT, Attn: ISA/US Commissioner for Patents P.O. Box 1450 Alexandria, Virginia 22313-1450 Facsimile No. (703) 305-3230	Authorized officer  LINDA SHOLL Telephone No. 571-272-4391	