

(19) World Intellectual Property Organization  
International Bureau



(43) International Publication Date  
30 April 2009 (30.04.2009)

PCT

(10) International Publication Number  
**WO 2009/054638 A3**

- (51) International Patent Classification:  
*F04B 39/10* (2006.01)     *F04B 35/04* (2006.01)
- (21) International Application Number:  
PCT/KR2008/005998
- (22) International Filing Date:  
10 October 2008 (10.10.2008)
- (25) Filing Language:  
English
- (26) Publication Language:  
English
- (30) Priority Data:  
10-2007-0107371 24 October 2007 (24.10.2007)     KR  
10-2007-0107390 24 October 2007 (24.10.2007)     KR
- (71) Applicant (for all designated States except US): **LG ELECTRONICS, INC.** [KR/KR]; 20, Yoido-dong, Yongdungpo-ku, Seoul 150-010 (KR).
- (72) Inventors; and
- (75) Inventors/Applicants (for US only): **KIM, Jung-Hae** [KR/KR]; 201-1, Daekwang Villa, 769-5, Ganseok 3-dong, Namdong-gu, Incheon 405-233 (KR). **YANG, Yoon-Seok** [KR/KR]; 101-403, Kumhowoollim, 938-1,

Ganseok-dong, Namdong-gu, Incheon 405-230 (KR). **HONG, Seong-Joon** [KR/KR]; 103-405, Daemyeong Villa, 323, Seohyeon-dong, Sungnam-si Bundang-gu, Gyeonggi-do 463-050 (KR). **KIM, Dong-Han** [KR/KR]; 47-47, Hwayang-dong, Gwangjin-gu, Seoul 143-130 (KR).

(74) Agent: **LEE, Kwang-Yeon**; Lee & Kim, 5th Floor, New-Seoul Bldg., 828-8, Yoksam 1-Dong, Kangnam-Ku, Seoul 135-935 (KR).

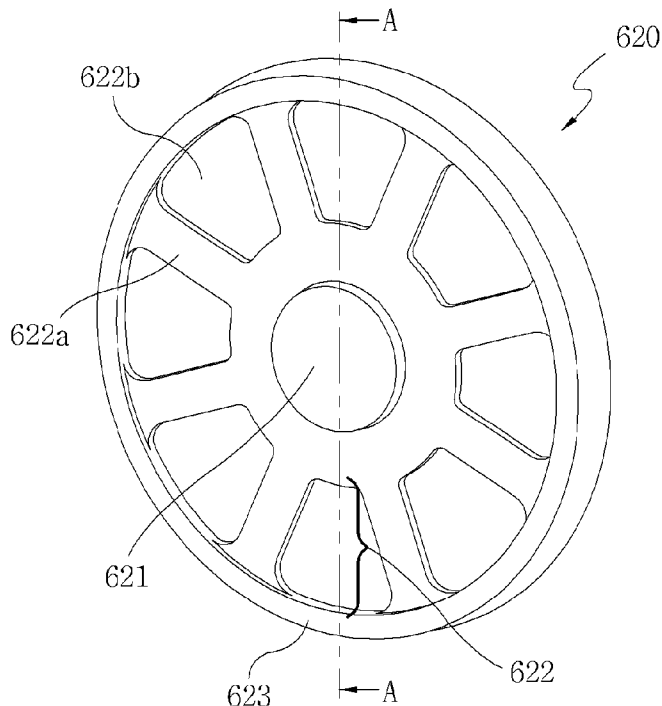
(81) Designated States (unless otherwise indicated, for every kind of national protection available): AE, AG, AL, AM, AO, AT, AU, AZ, BA, BB, BG, BH, BR, BW, BY, BZ, CA, CH, CN, CO, CR, CU, CZ, DE, DK, DM, DO, DZ, EC, EE, EG, ES, FI, GB, GD, GE, GH, GM, GT, HN, HR, HU, ID, IL, IN, IS, JP, KE, KG, KM, KN, KP, KZ, LA, LC, LK, LR, LS, LT, LU, LY, MA, MD, ME, MG, MK, MN, MW, MX, MY, MZ, NA, NG, NI, NO, NZ, OM, PG, PH, PL, PT, RO, RS, RU, SC, SD, SE, SG, SK, SL, SM, ST, SV, SY, TJ, TM, TN, TR, TT, TZ, UA, UG, US, UZ, VC, VN, ZA, ZM, ZW.

(84) Designated States (unless otherwise indicated, for every kind of regional protection available): ARIPO (BW, GH,

[Continued on next page]

(54) Title: DISCHARGE VALVE FOR LINEAR COMPRESSOR

[Fig. 5]



(57) Abstract: A discharge valve (620) is adapted to a linear compressor (100) which is elastically supported in an axial direction by a discharge valve spring (630) and which opens/closes a compression space (P) defined between a cylinder (200) and a piston (300), the discharge valve (620) comprising: a body (620A) made from a metal material; and a coating layer (620B) made from a plastic material to wrap the body (620A). The linear compressor (100) provided with such a discharge valve (620) is ensured with a satisfactory level of strength with less use of materials.

WO 2009/054638 A3



GM, KE, LS, MW, MZ, NA, SD, SL, SZ, TZ, UG, ZM, ZW), Eurasian (AM, AZ, BY, KG, KZ, MD, RU, TJ, TM), European (AT, BE, BG, CH, CY, CZ, DE, DK, EE, ES, FI, FR, GB, GR, HR, HU, IE, IS, IT, LT, LU, LV, MC, MT, NL, NO, PL, PT, RO, SE, SI, SK, TR), OAPI (BF, BJ, CF, CG, CI, CM, GA, GN, GQ, GW, ML, MR, NE, SN, TD, TG).

— *before the expiration of the time limit for amending the claims and to be republished in the event of receipt of amendments (Rule 48.2(h))*

**(88) Date of publication of the international search report:**

3 June 2010

**Published:**

— *with international search report (Art. 21(3))*

## INTERNATIONAL SEARCH REPORT

International application No.  
PCT/KR 2008/005998

## A. CLASSIFICATION OF SUBJECT MATTER

IPC<sup>8</sup>: **F04B 39/10** (2006.01); **F04B 35/04** (2006.01)

According to International Patent Classification (IPC) or to both national classification and IPC

## B. FIELDS SEARCHED

Minimum documentation searched (classification system followed by classification symbols)

IPC<sup>8</sup>: F04B

Documentation searched other than minimum documentation to the extent that such documents are included in the fields searched

Electronic data base consulted during the international search (name of data base and, where practicable, search terms used)

EPODOC, WPI

## C. DOCUMENTS CONSIDERED TO BE RELEVANT

Category*	Citation of document, with indication, where appropriate, of the relevant passages	Relevant to claim No.
X	WO 2006/052110 A1 (LG ELECTRONICS INC) 18 May 2006 (18.05.2006) <i>Abstract; fig. 3,4,10-12; page 6, line 17 - page 7, line 13; page 10, line 13 - page 15, line 1;</i>	1,7
A	<i>Fig. 3,4,10-12; page 10, line 13 - page 15, line 1;</i>  -----	2-5,8,9,11,12

 Further documents are listed in the continuation of Box C. See patent family annex.

\* Special categories of cited documents:

"A" document defining the general state of the art which is not considered to be of particular relevance

"E" earlier application or patent but published on or after the international filing date

"L" document which may throw doubts on priority claim(s) or which is cited to establish the publication date of another citation or other special reason (as specified)

"O" document referring to an oral disclosure, use, exhibition or other means

"P" document published prior to the international filing date but later than the priority date claimed

"T" later document published after the international filing date or priority date and not in conflict with the application but cited to understand the principle or theory underlying the invention

"X" document of particular relevance; the claimed invention cannot be considered novel or cannot be considered to involve an inventive step when the document is taken alone

"Y" document of particular relevance; the claimed invention cannot be considered to involve an inventive step when the document is combined with one or more other such documents, such combination being obvious to a person skilled in the art

"&amp;" document member of the same patent family

Date of the actual completion of the international search  
30 March 2010 (30.03.2010)Date of mailing of the international search report  
06 April 2010 (06.04.2010)Name and mailing address of the ISA/ AT  
**Austrian Patent Office**  
Dresdner Straße 87, A-1200 ViennaAuthorized officer  
HÖRZER K.

Facsimile No. +43 / 1 / 534 24 / 535

Telephone No. +43 / 1 / 534 24 / 359

**INTERNATIONAL SEARCH REPORT**  
Information on patent family members

International application No.  
**PCT/KR 2008/005998**

Patent document cited in search report	Publication date	Patent family member(s)	Publication date
WO A 2006052110		US A1 2007295410	2007-12-27
		WO A1 2006052110	2006-05-18
		JP T 2008519934T	2008-06-12
		CN A 101057076	2007-10-17
		KR B1 100579372B	2006-05-04
		KR B1 100579371B	2006-05-04