



US00D552402S

(12) **United States Design Patent**
Schwamkrug

(10) **Patent No.:** **US D552,402 S**
(45) **Date of Patent:** **** Oct. 9, 2007**

(54) **COFFEE MACHINE**

(75) **Inventor:** **Christian Schwamkrug,**
Lohningholzweg (AT)

(73) **Assignee:** **BSH Bosch und Siemens Hausgeraete**
GmbH, Munich (DE)

(**) **Term:** **14 Years**

(21) **Appl. No.:** **29/235,518**

(22) **Filed:** **Aug. 3, 2005**

(30) **Foreign Application Priority Data**

Feb. 3, 2005 (EM) 000302724

(51) **LOC (8) Cl.** **07-01**

(52) **U.S. Cl.** **D7/309; D7/310; D7/311**

(58) **Field of Classification Search** **D7/309-311,**
D7/306-308; D20/4, 8; 99/279, 300, 304,
99/305

See application file for complete search history.

(56) **References Cited**

U.S. PATENT DOCUMENTS

D218,191 S * 7/1970 Tevolitz D7/309

(Continued)

Primary Examiner—M. N. Pandozzi

(74) *Attorney, Agent, or Firm*—Russell W. Warnock; Craig
J. Loest; James E. Howard

(57) **CLAIM**

The ornamental design for a coffee machine, as shown and
described.

DESCRIPTION

FIG. 1 is a perspective view of a coffee machine showing my
new design;

FIG. 2 is a front view thereof;

FIG. 3 is a rear view thereof;

FIG. 4 is a right side view thereof;

FIG. 5 is a left side view thereof;

FIG. 6 is a top plan view thereof;

FIG. 7 is a bottom plan view thereof;

FIG. 8 is an enlarged perspective view of the carafe portion
of the coffee machine of FIG. 1, where the machine portion
is removed for ease of illustration;

FIG. 9 is a front view thereof;

FIG. 10 is a left side view thereof;

FIG. 11 is a right side view thereof;

FIG. 12 is a rear view thereof;

FIG. 13 is a top plan view thereof;

FIG. 14 is a bottom plan view thereof;

FIG. 15 is an enlarged perspective view of a portion of the
coffee machine, where the rest of the coffee machine shown
in FIG. 1 is removed for ease of illustration;

FIG. 16 is a rear view thereof;

FIG. 17 is a front view thereof;

FIG. 18 is a right side view thereof;

FIG. 19 is a left side view thereof;

FIG. 20 is a top plan view thereof;

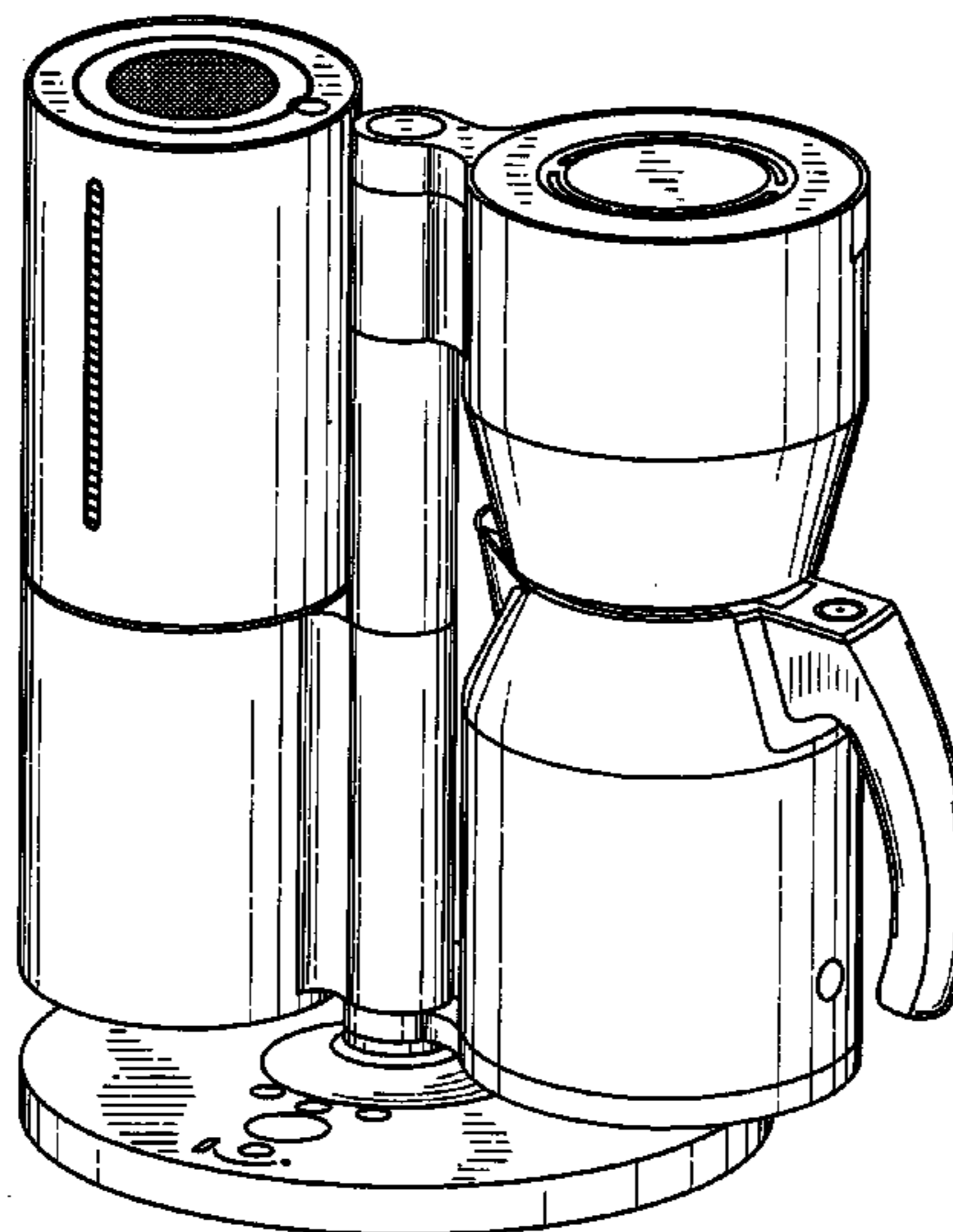
FIG. 21 is a bottom plan view thereof;

FIG. 22 is a perspective view of another portion of the coffee
machine where the rest of the coffee machine shown in FIG.
1 is removed for ease of illustration;

FIG. 23 is a perspective view of yet another portion of the
coffee machine where the rest of the coffee machine shown
in FIG. 1 is removed for ease of illustration; and,

FIG. 24 is a perspective view of yet another portion of the
coffee machine where the rest of the coffee machine shown
in FIG. 1 is removed for ease of illustration.

1 Claim, 24 Drawing Sheets



US D552,402 S

Page 2

U.S. PATENT DOCUMENTS

D220,579 S *	4/1971	Wickenberg	D7/309	D307,754 S *	5/1990	Osrow et al.	D15/82
3,592,125 A *	7/1971	Tolmie et al.	99/307	D452,106 S *	12/2001	Seiffert	D7/305
D234,141 S *	1/1975	Mantlet	D13/147	D489,214 S *	5/2004	Noda et al.	D7/309
D240,386 S *	7/1976	Stuetzer	D7/309	D507,449 S *	7/2005	Burton et al.	D7/309
4,721,034 A *	1/1988	Shimomura	99/280	7,089,849 B2 *	8/2006	Chen et al.	99/290
				D540,102 S *	4/2007	Carss	D7/309

* cited by examiner

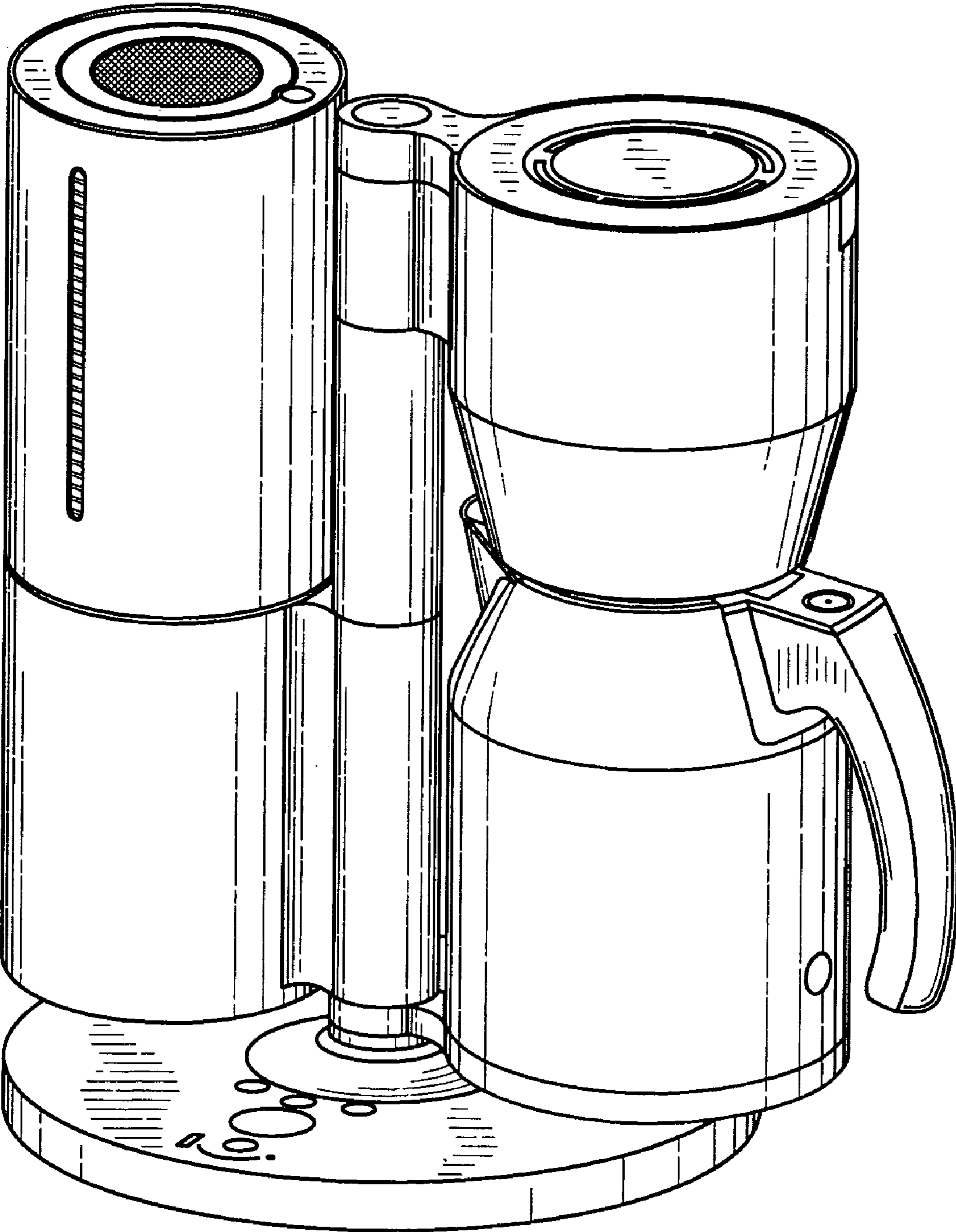


FIG. 1

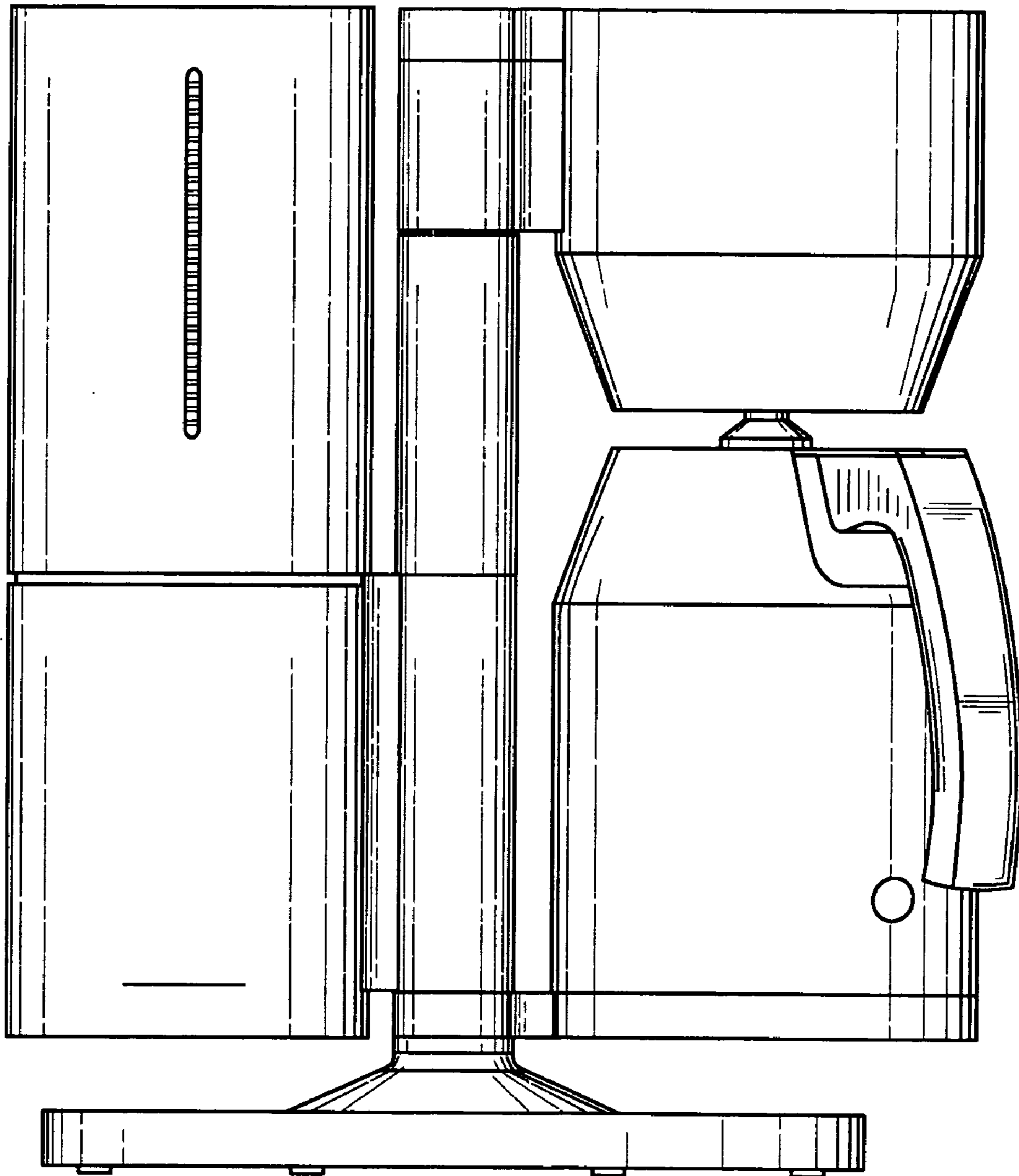


FIG. 2

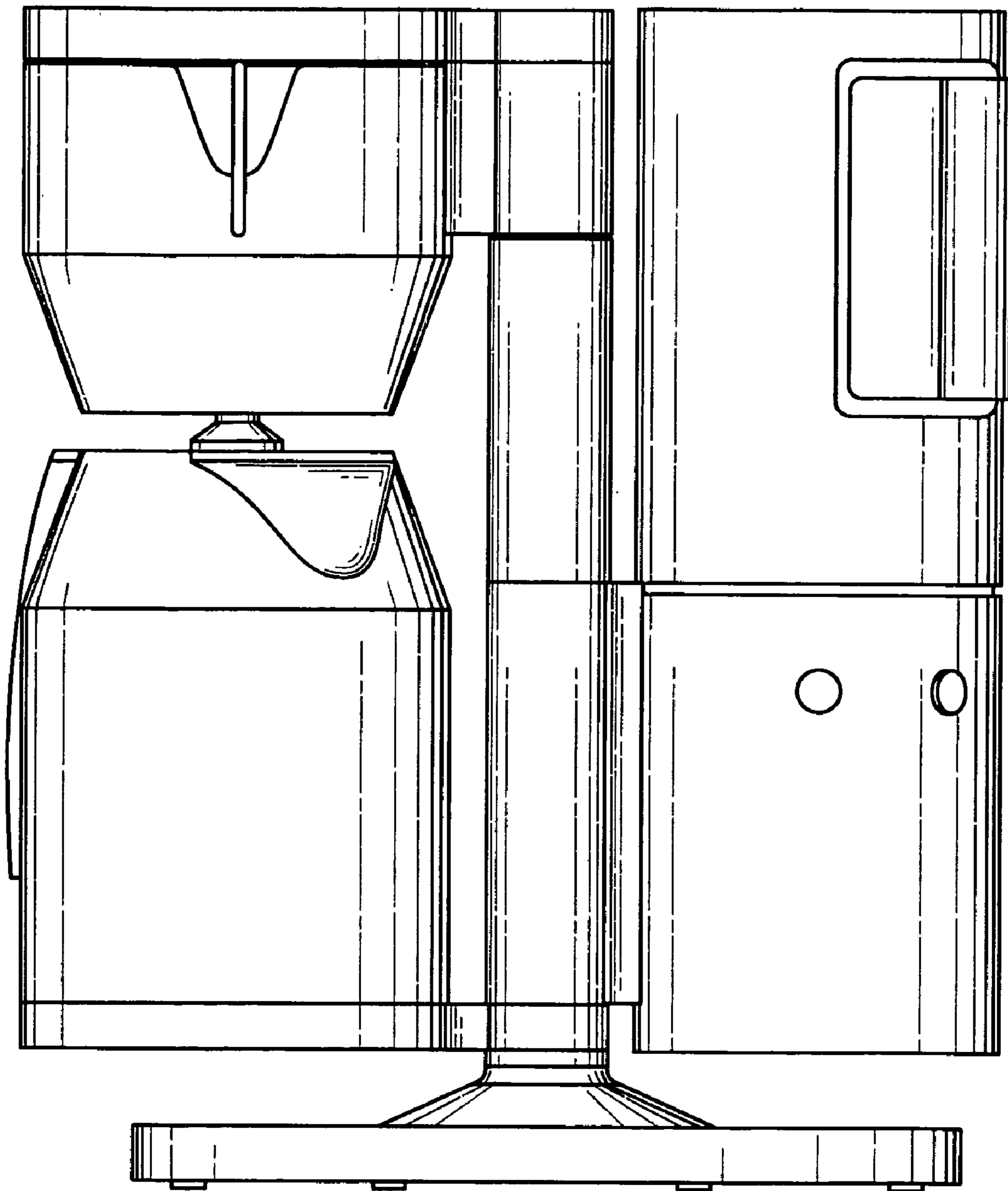


FIG. 3

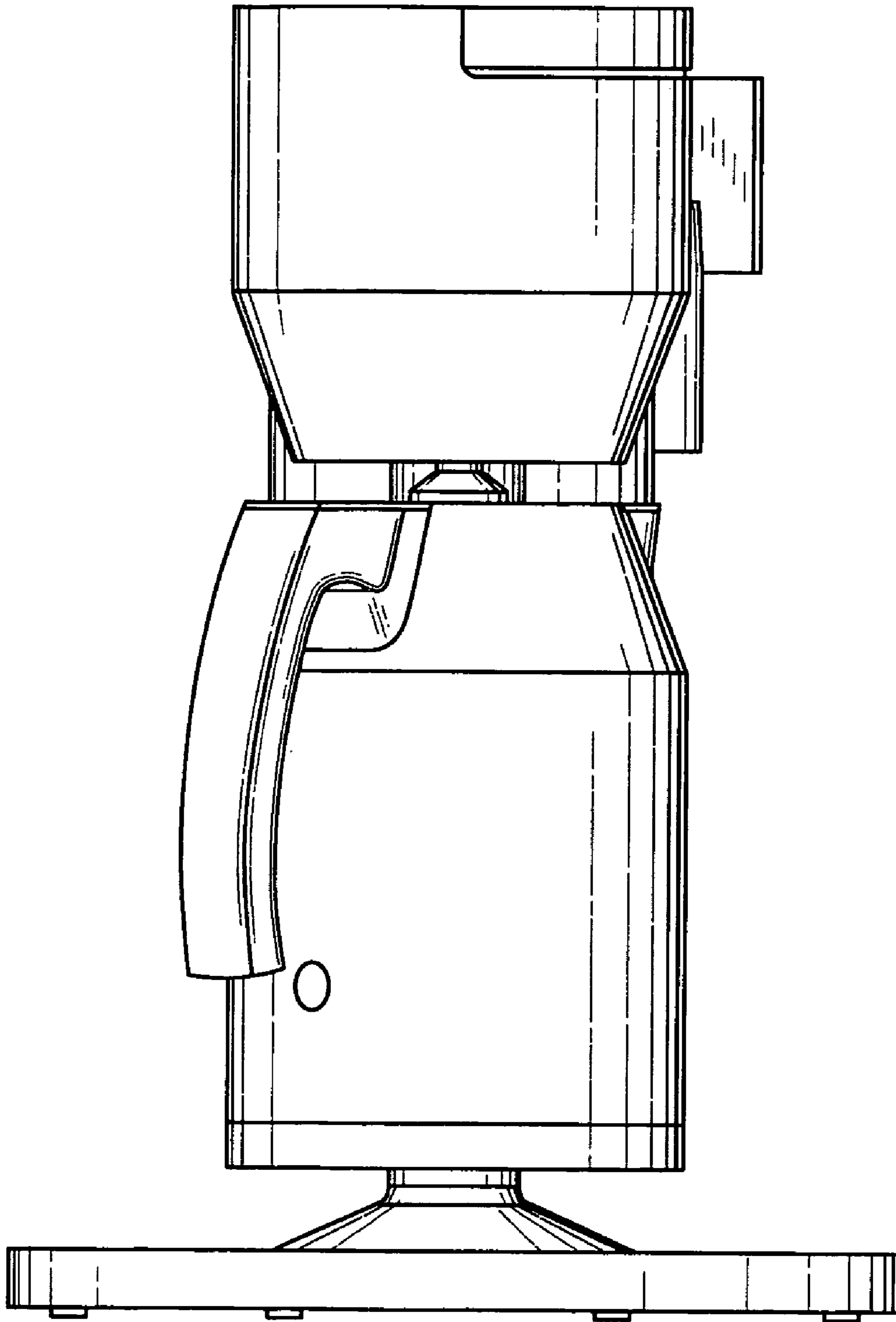


FIG. 4

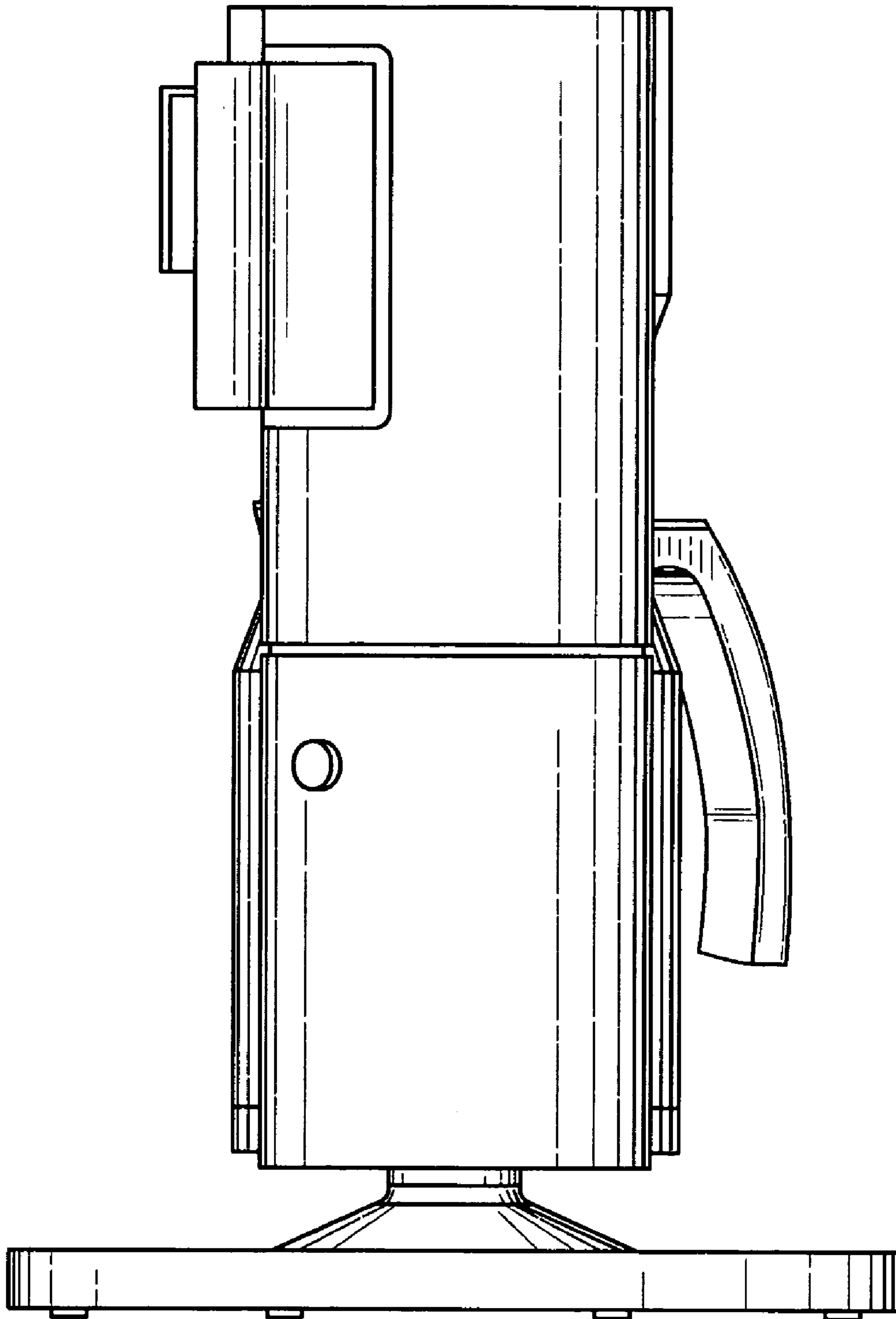


FIG. 5

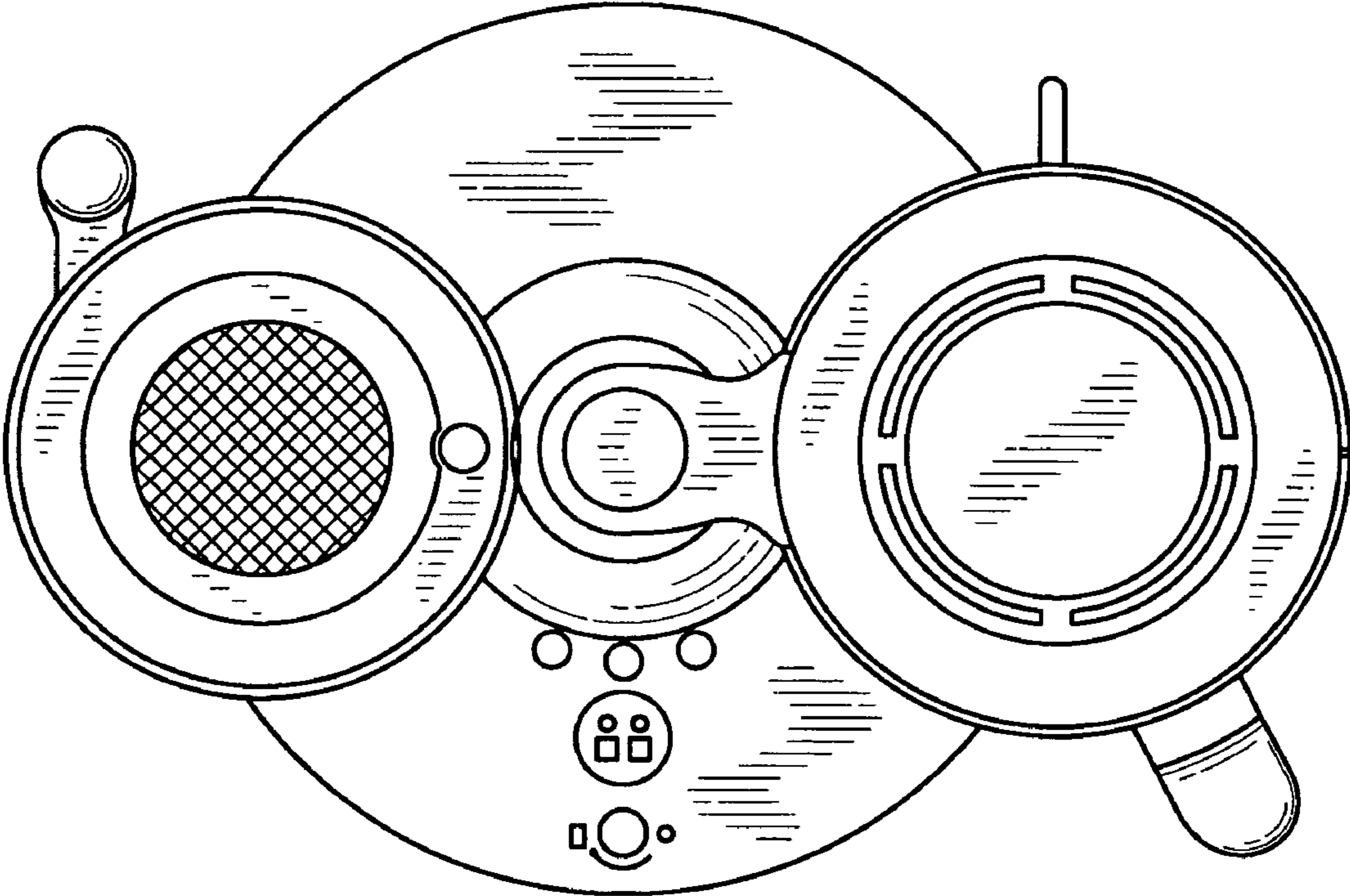


FIG. 6

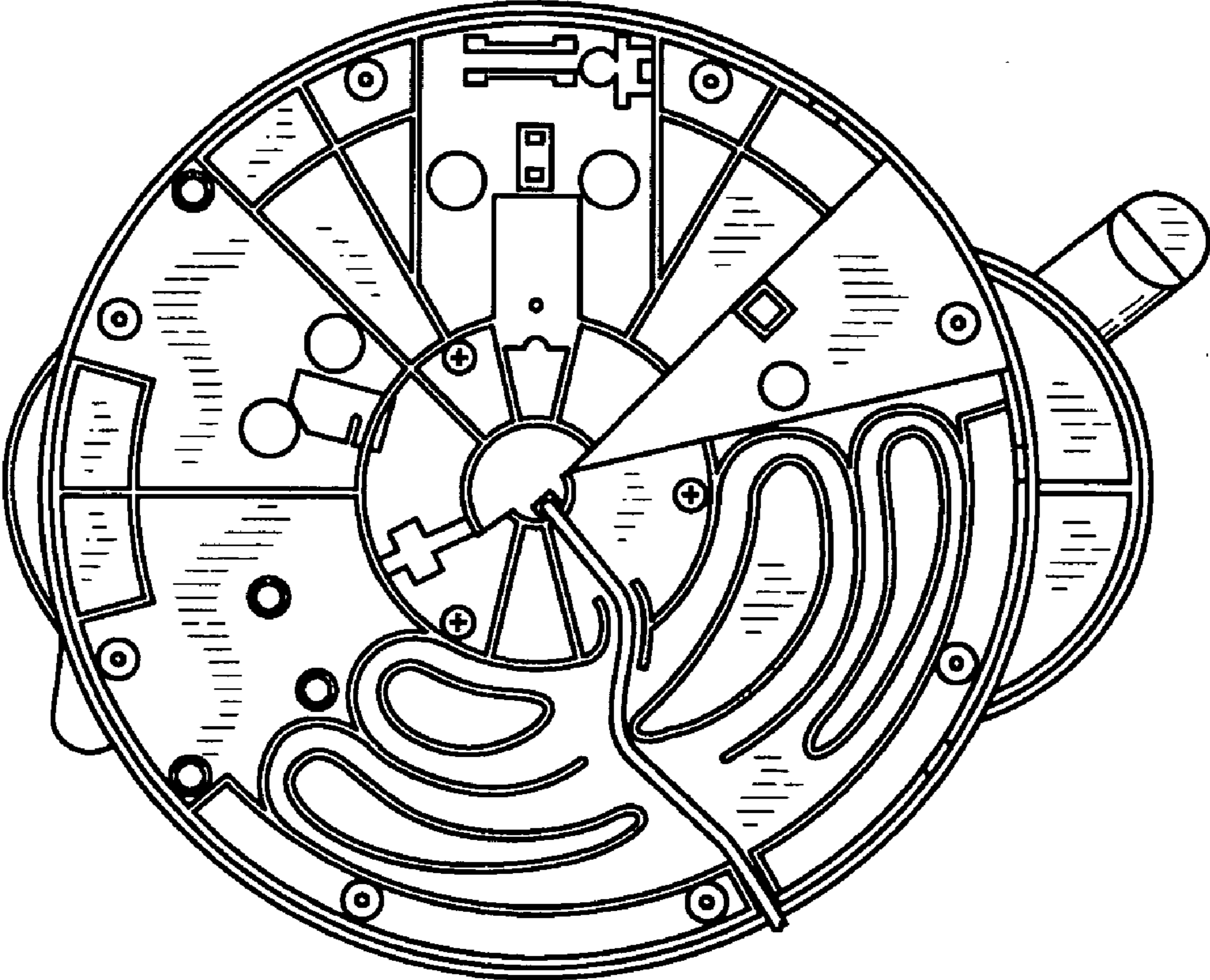


FIG. 7

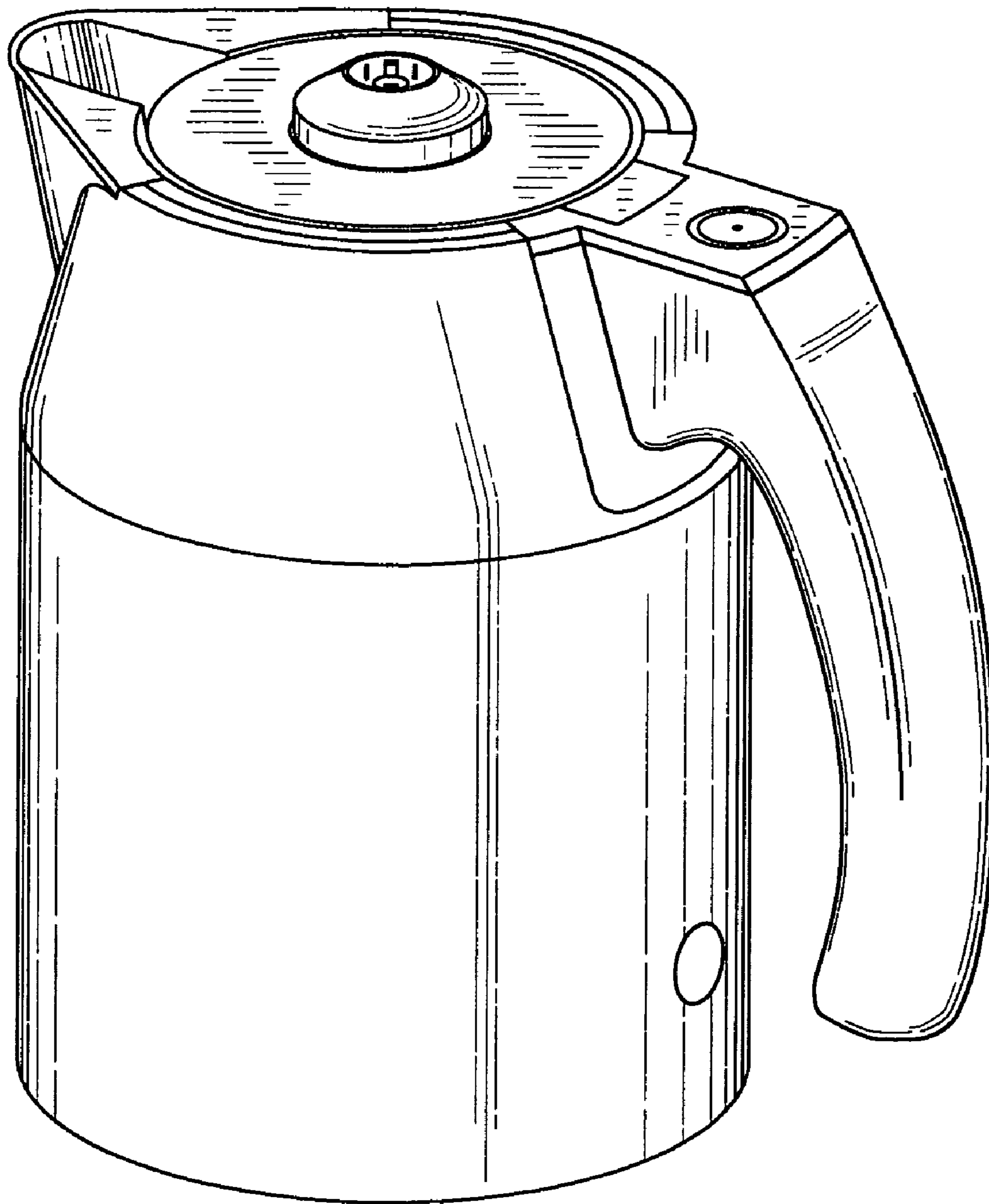


FIG. 8

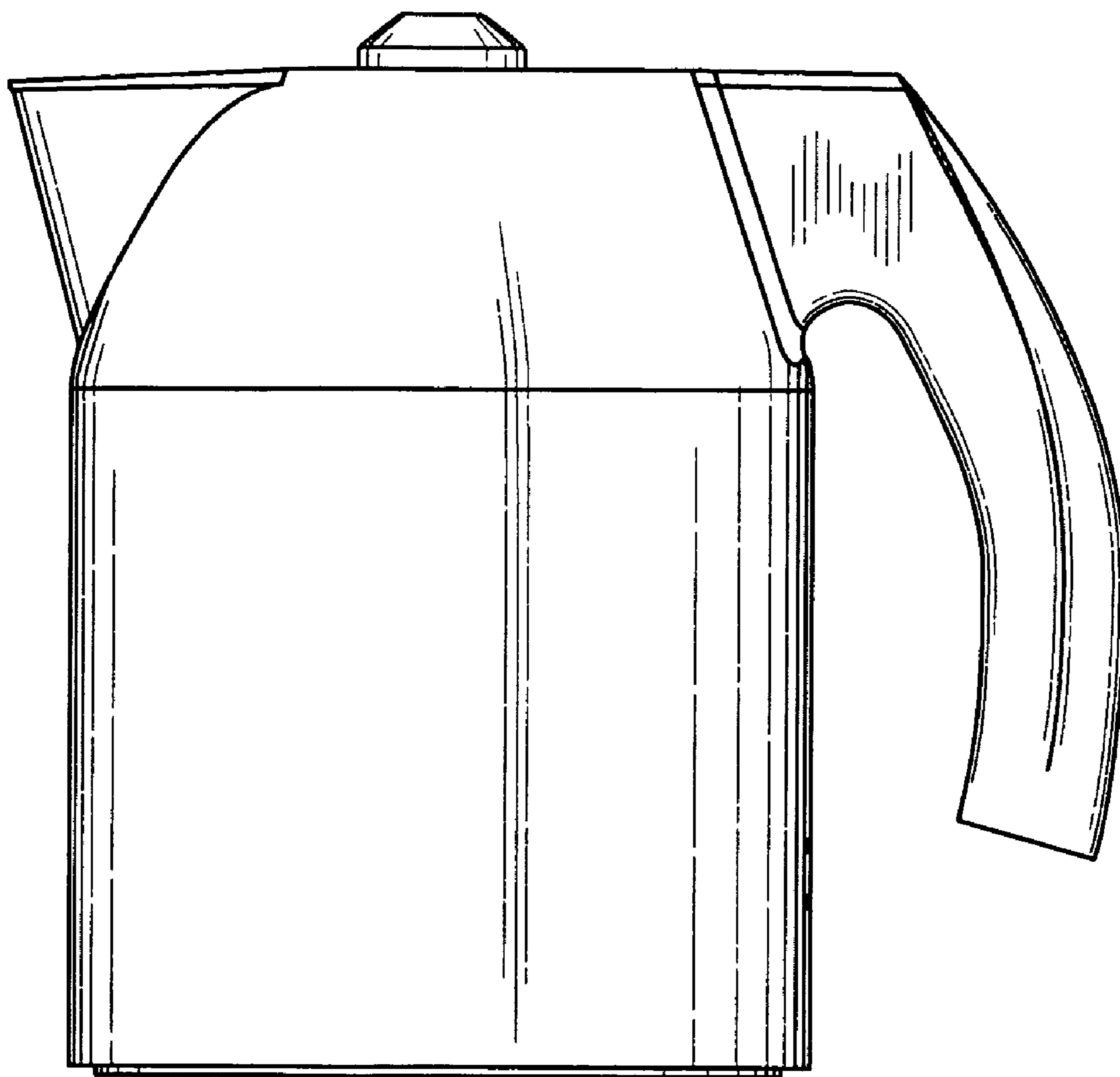


FIG. 9

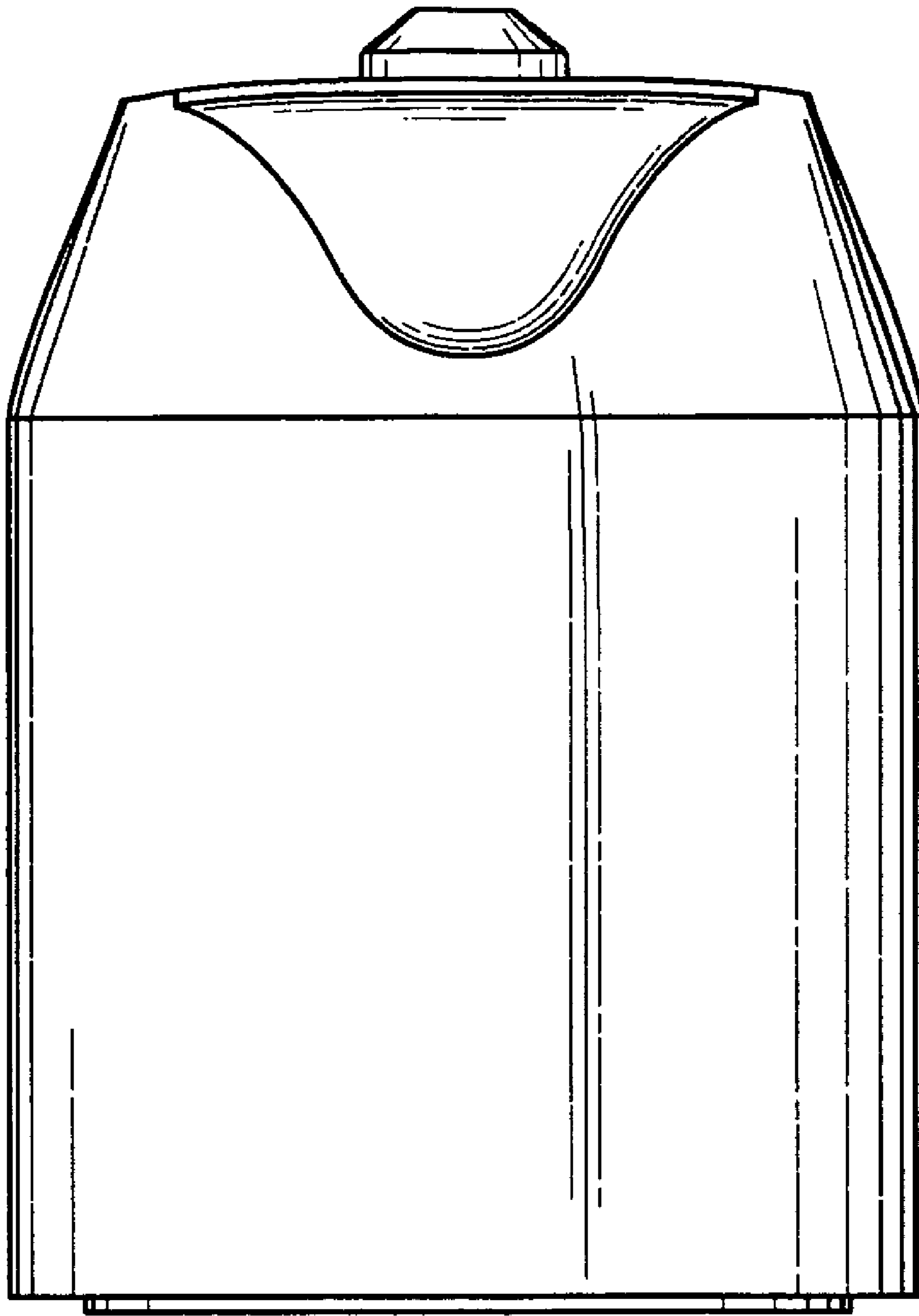


FIG. 10

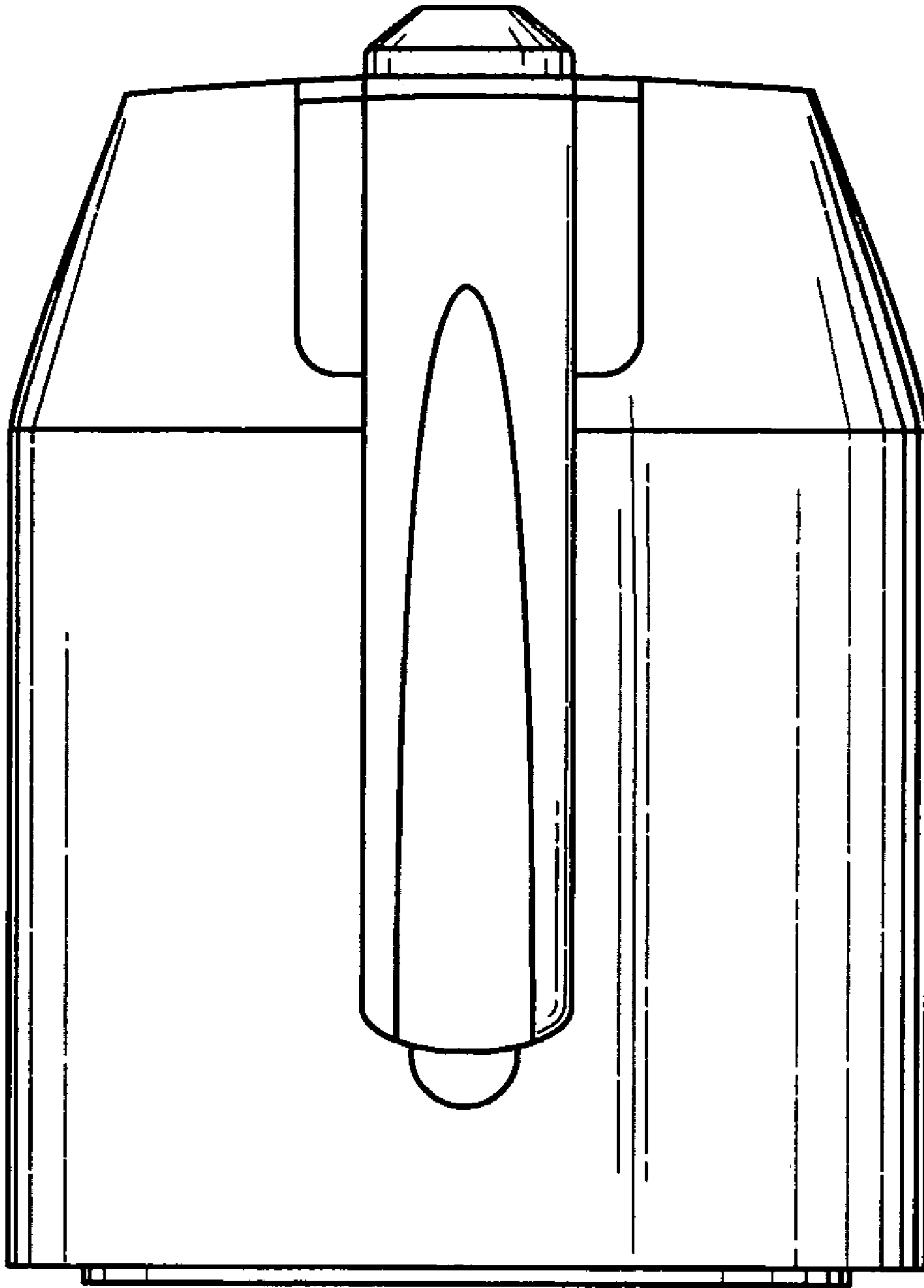


FIG. 11

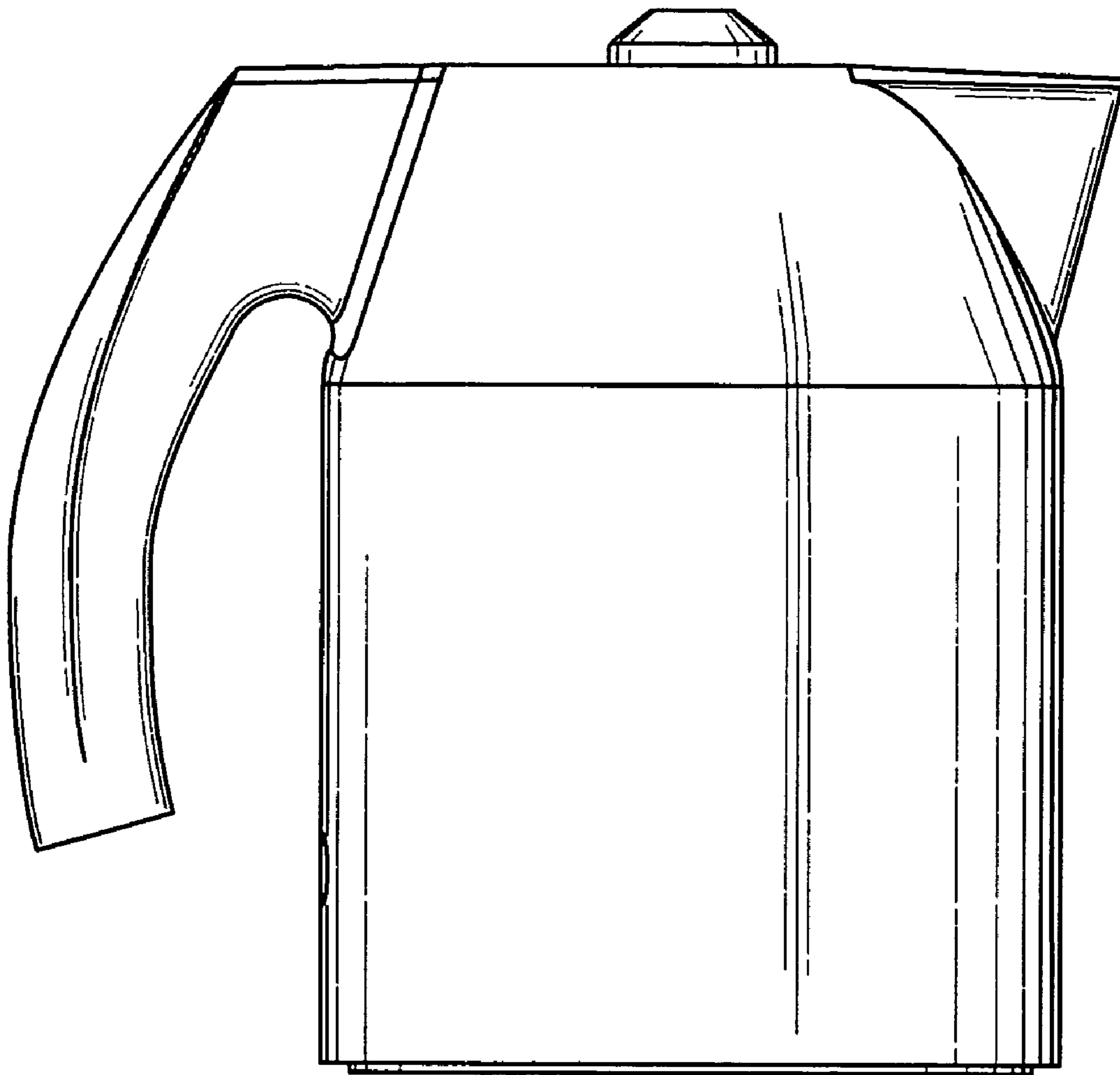


FIG. 12

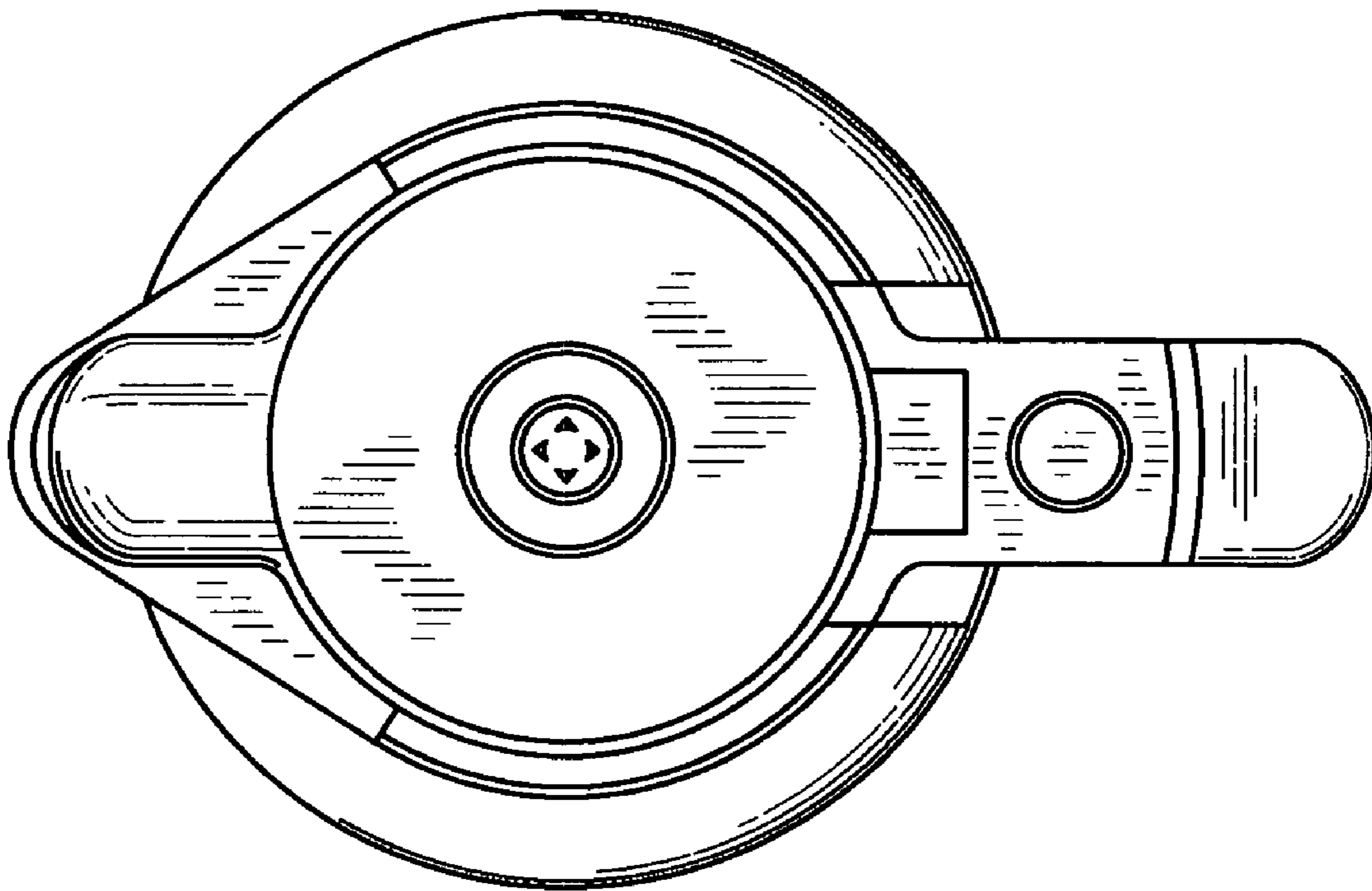


FIG. 13

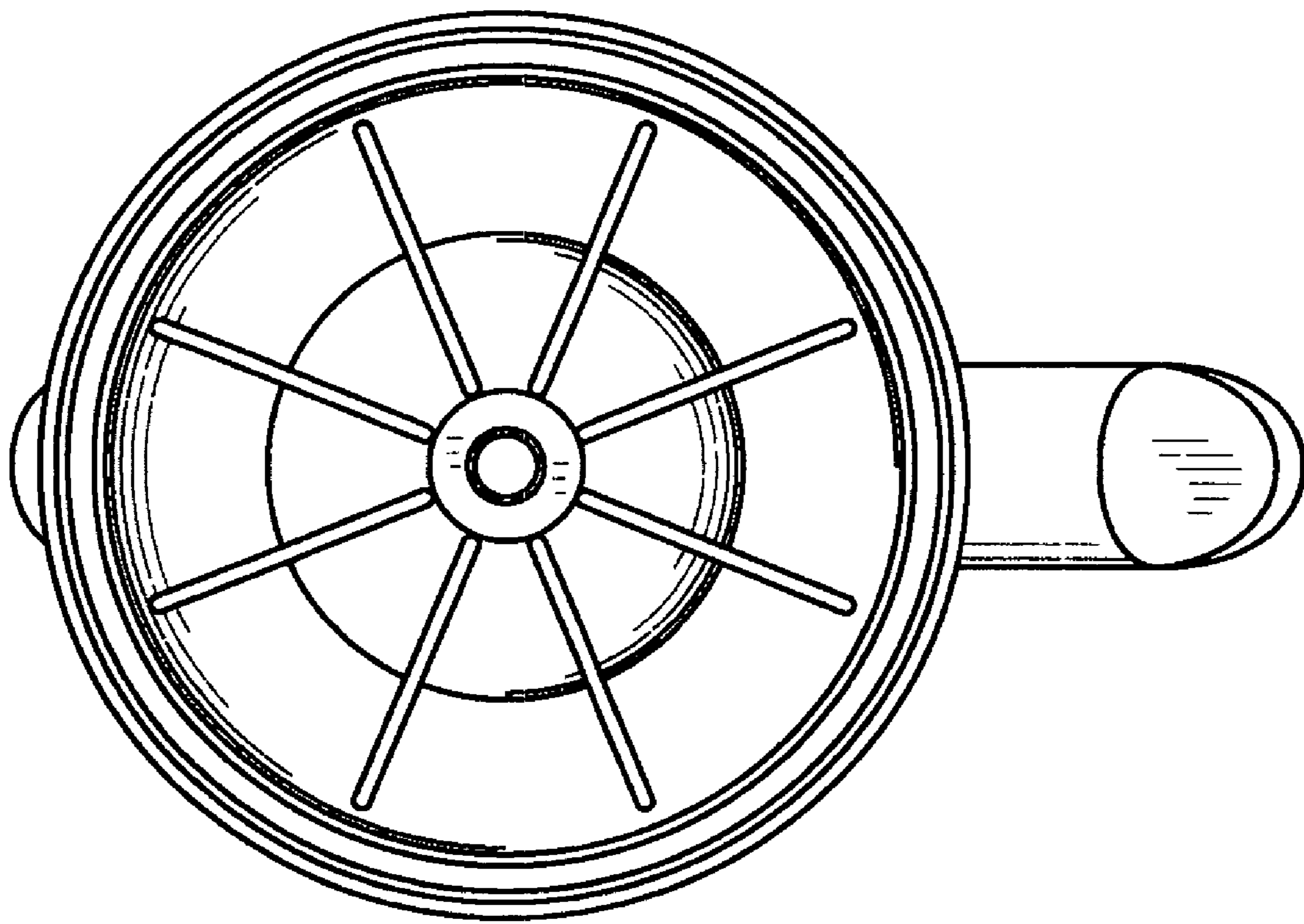


FIG. 14

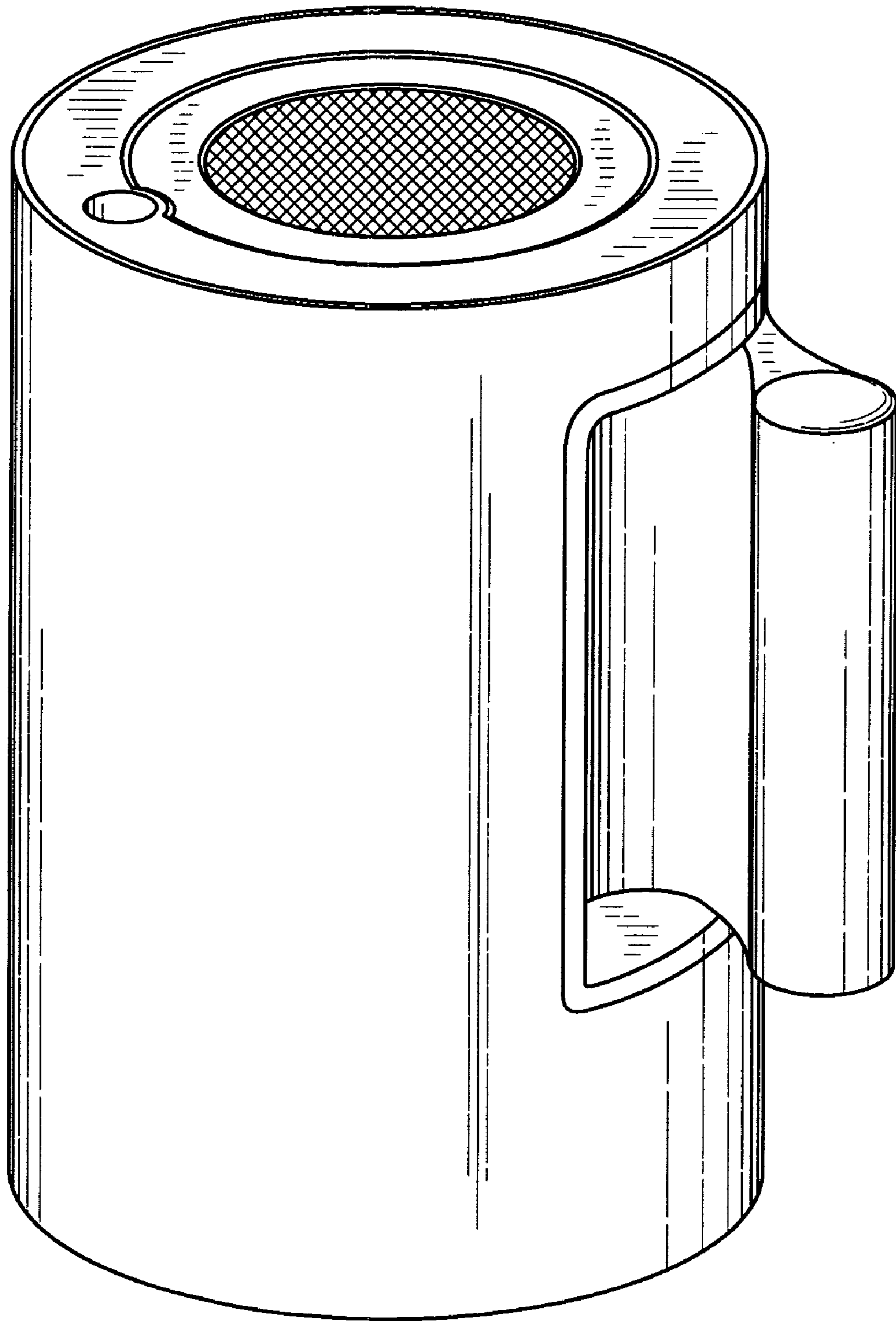


FIG. 15

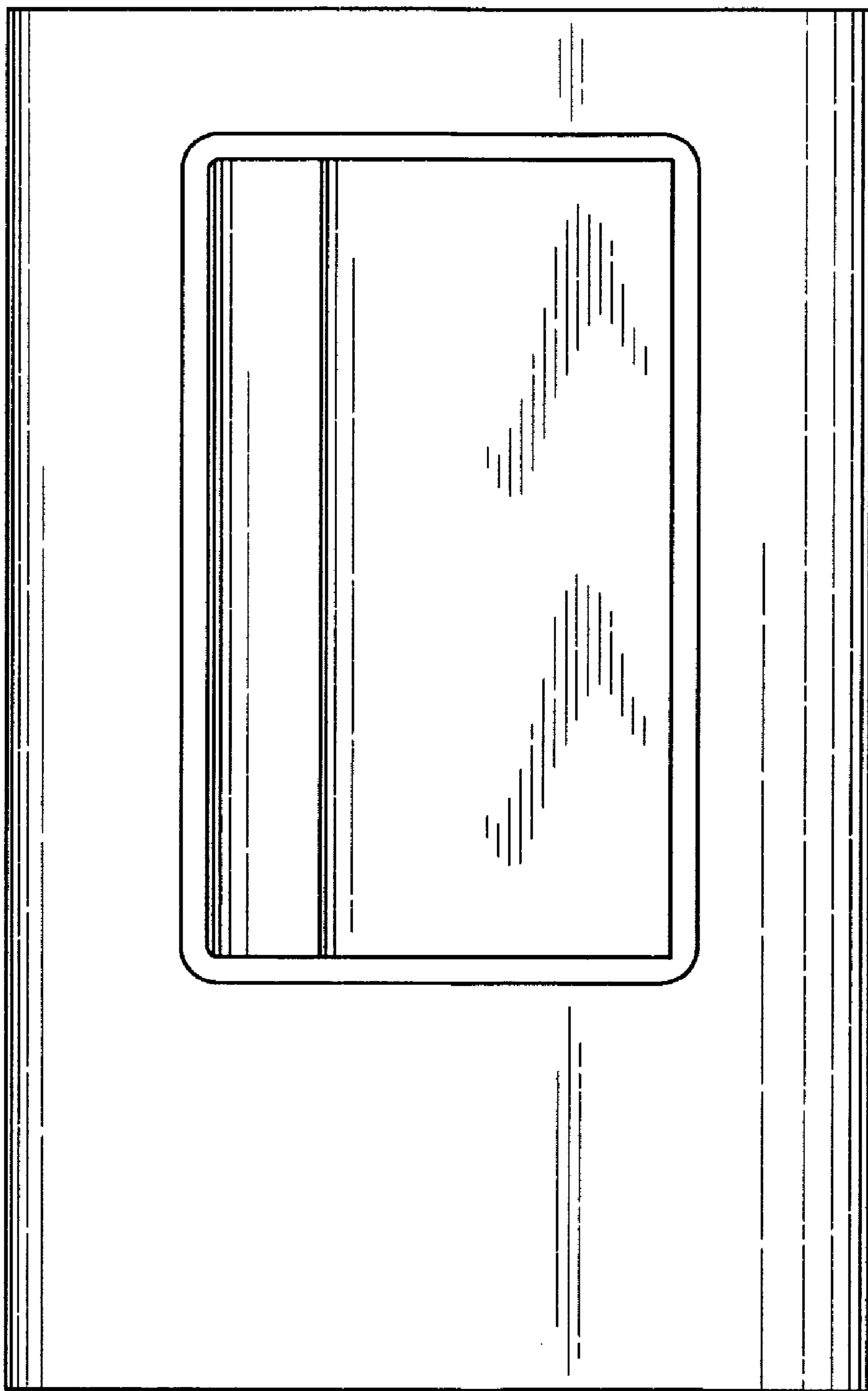


FIG. 16

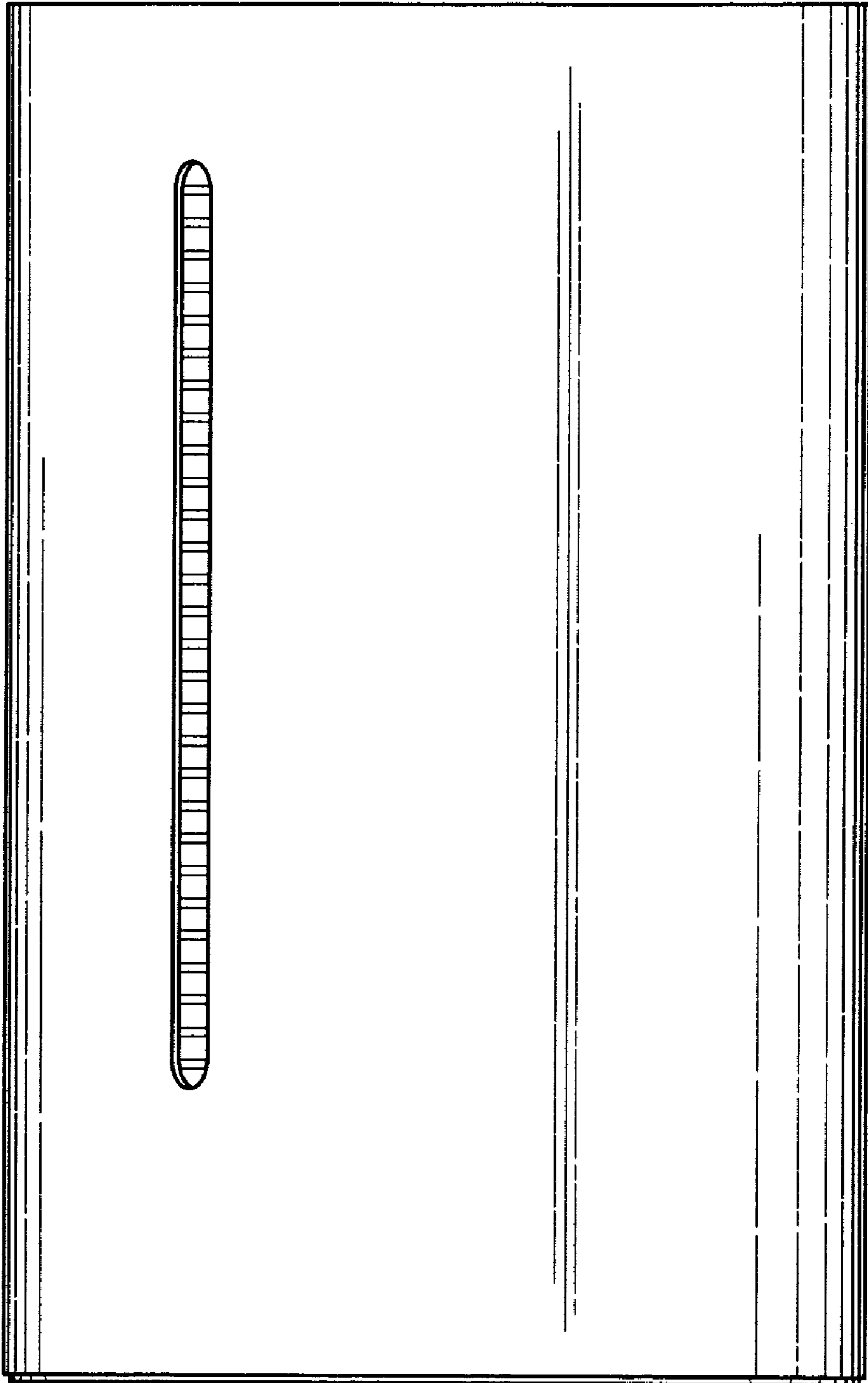


FIG. 17

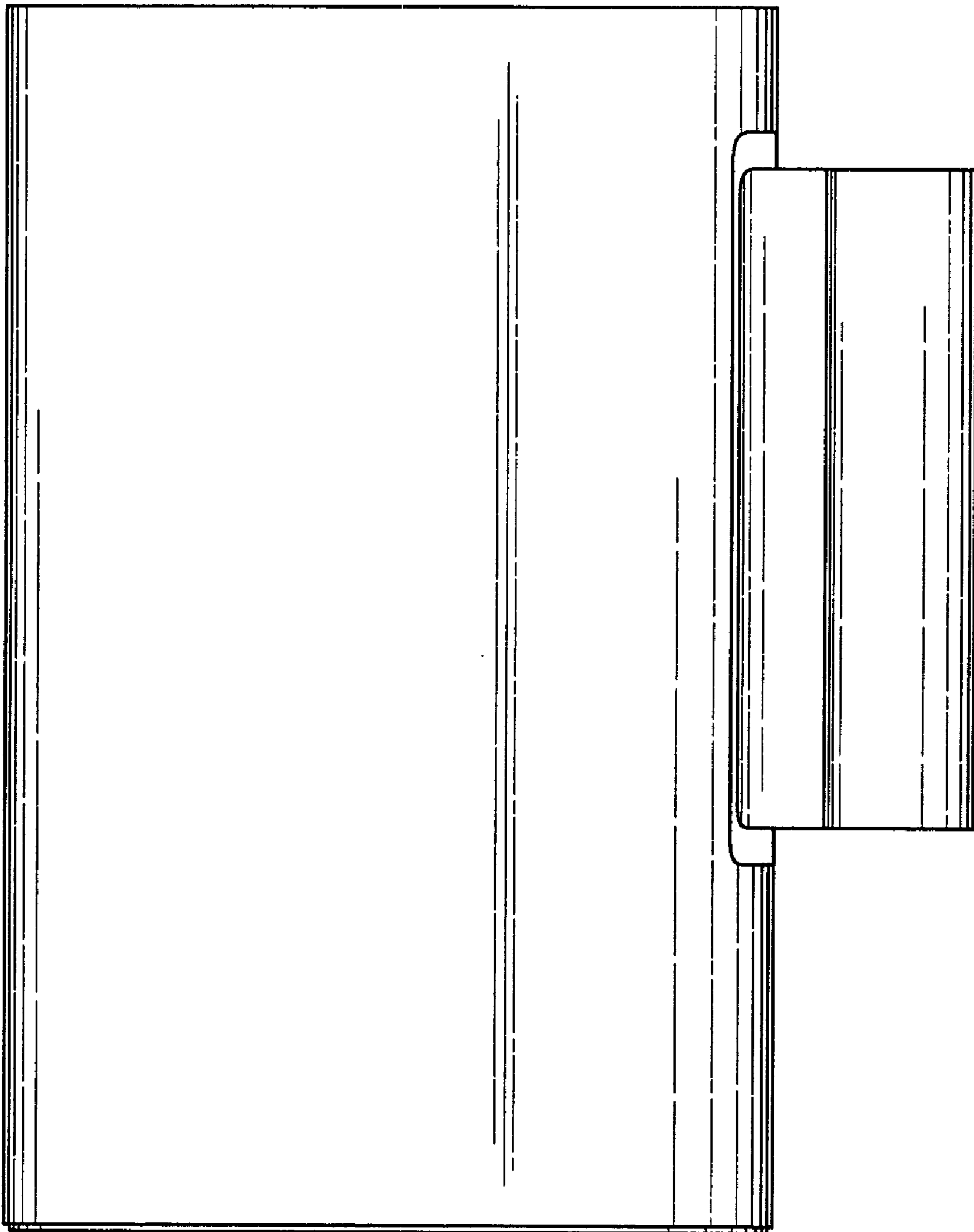


FIG. 18

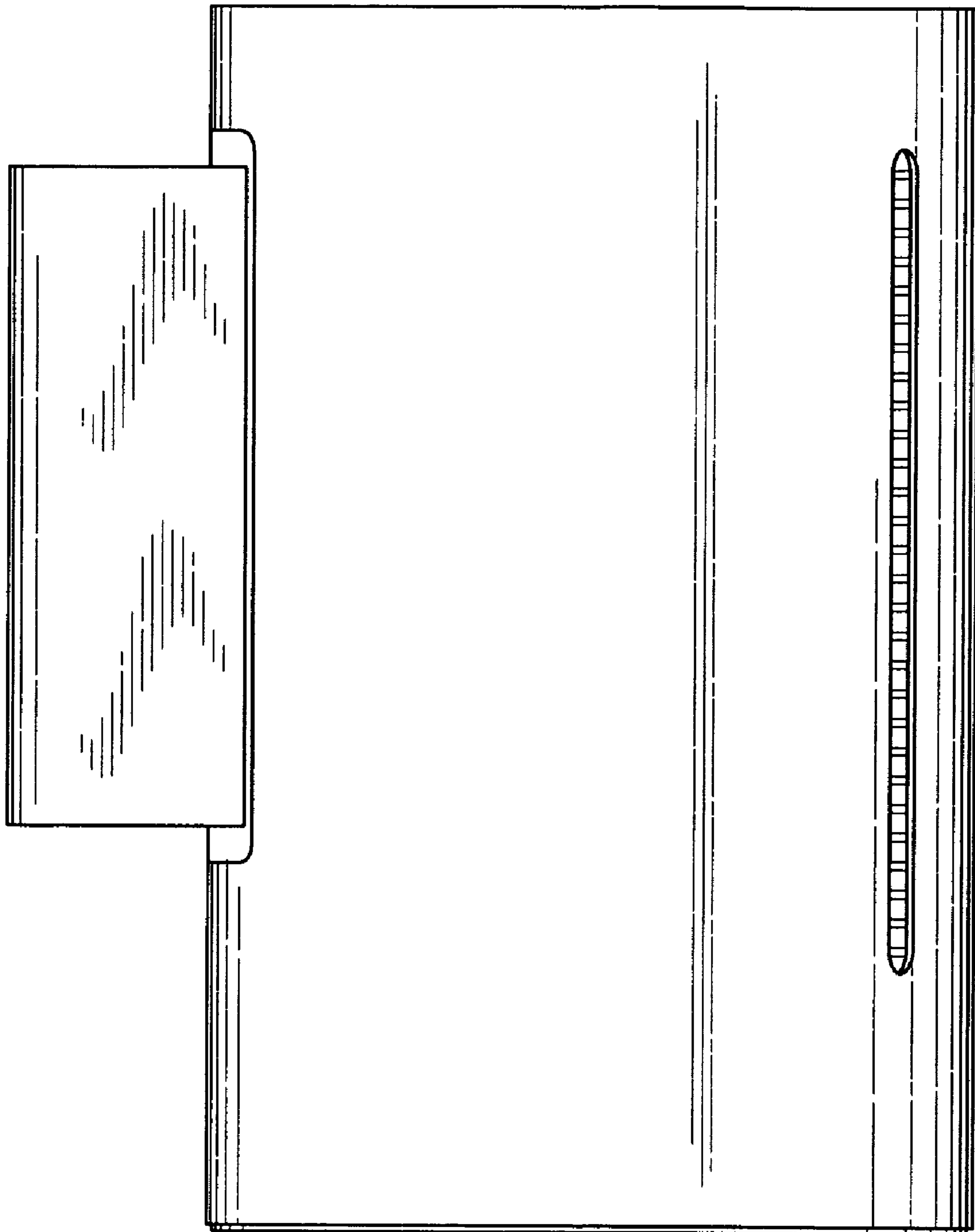


FIG. 19

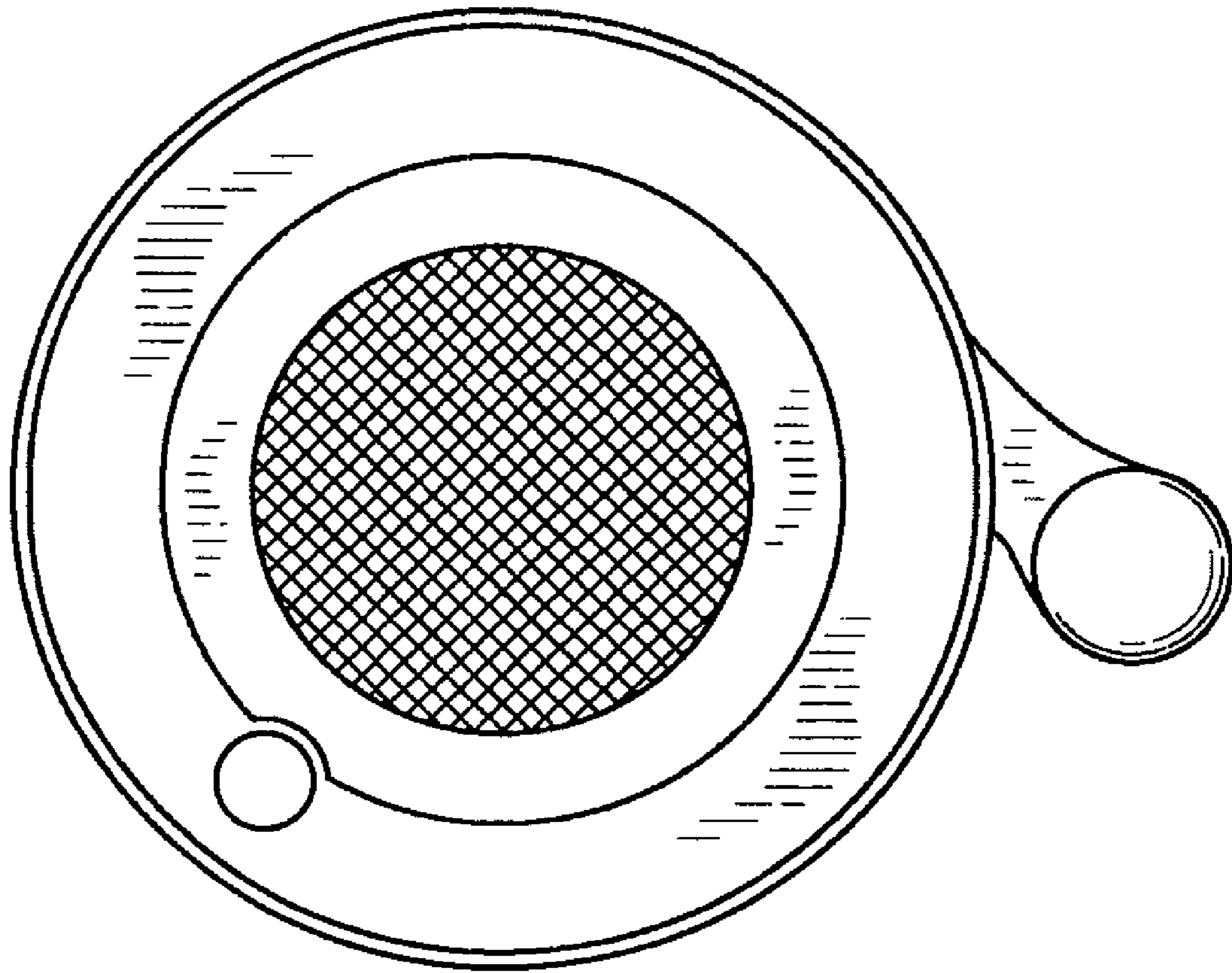


FIG. 20

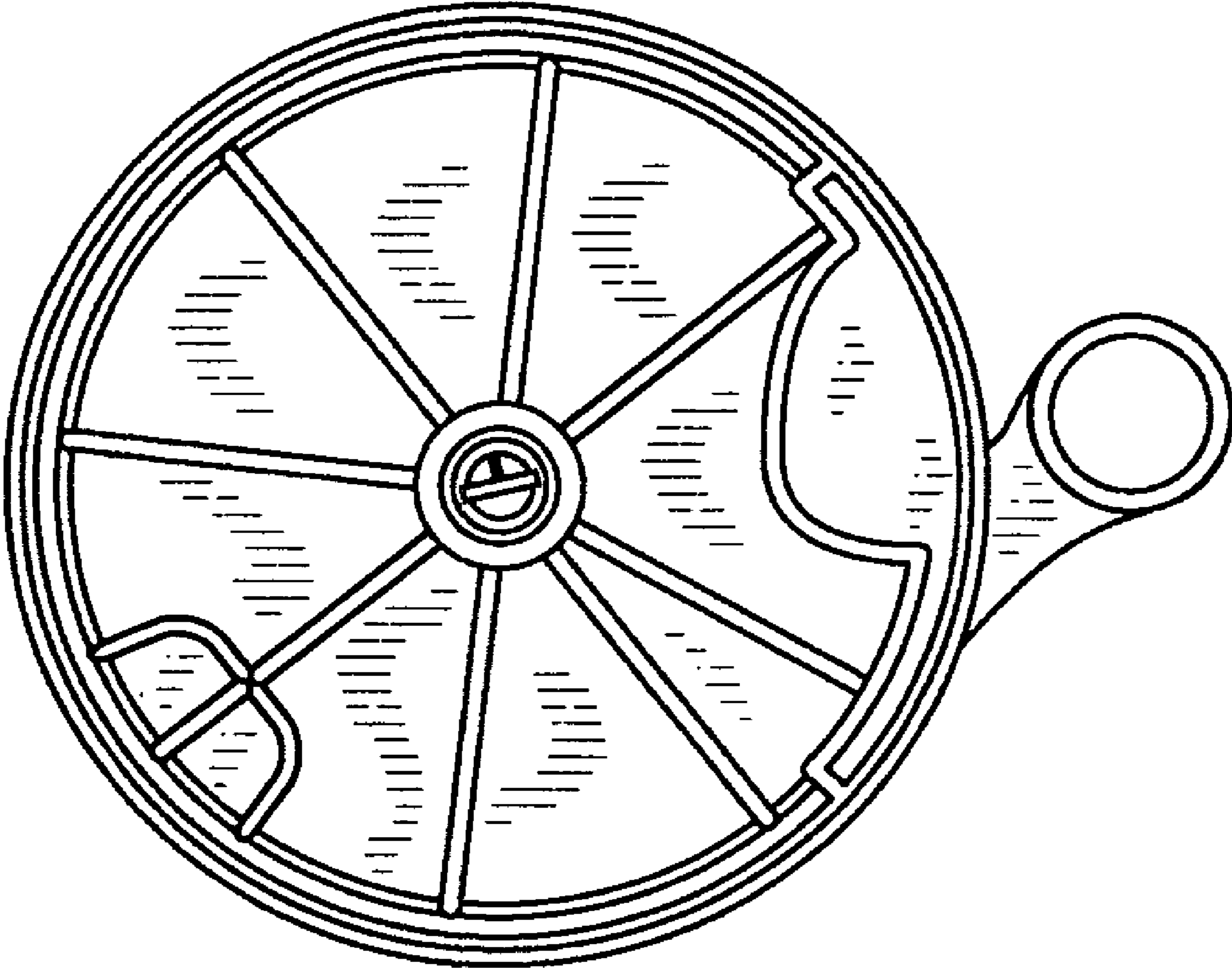


FIG. 21

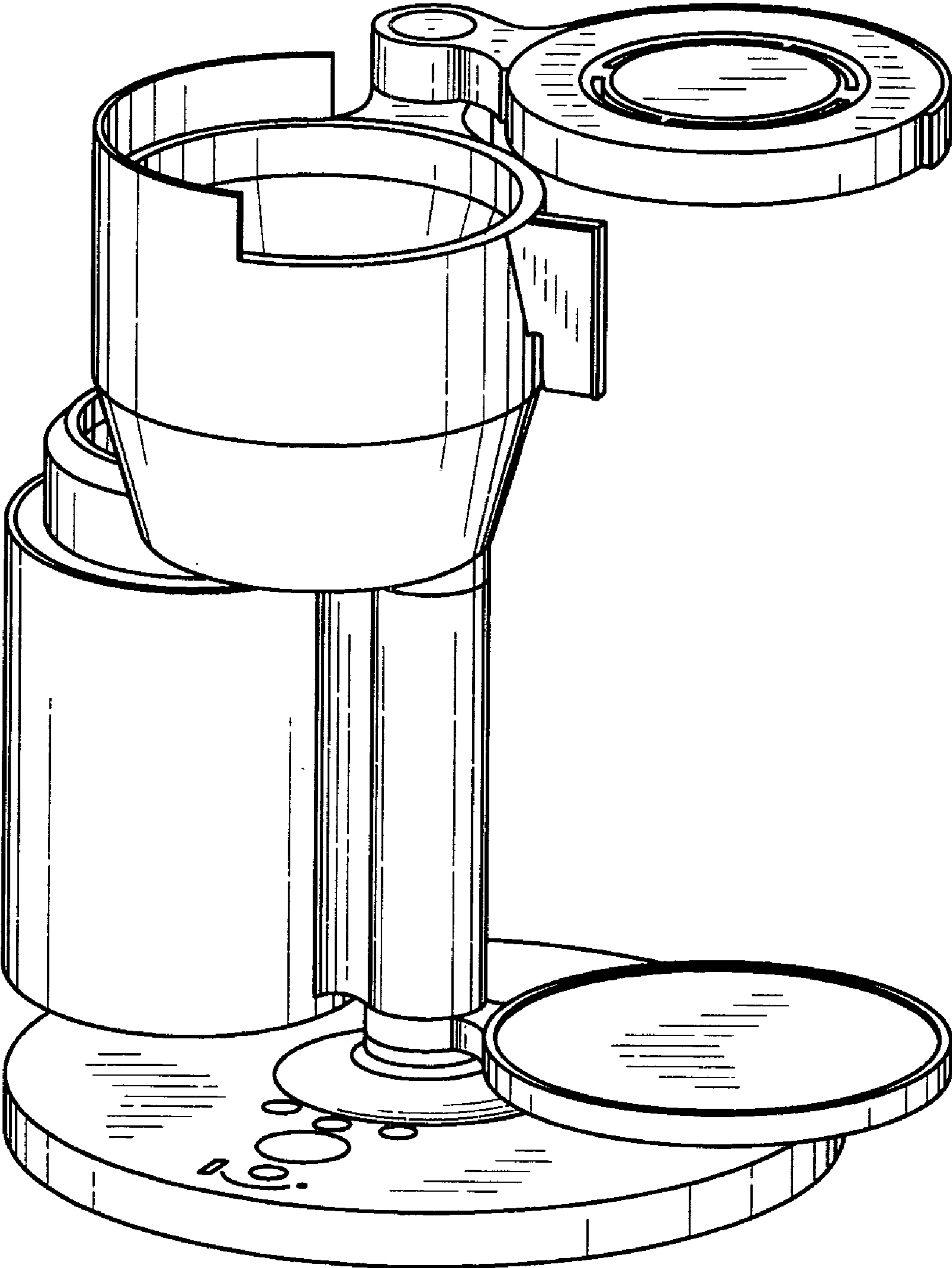


FIG. 22

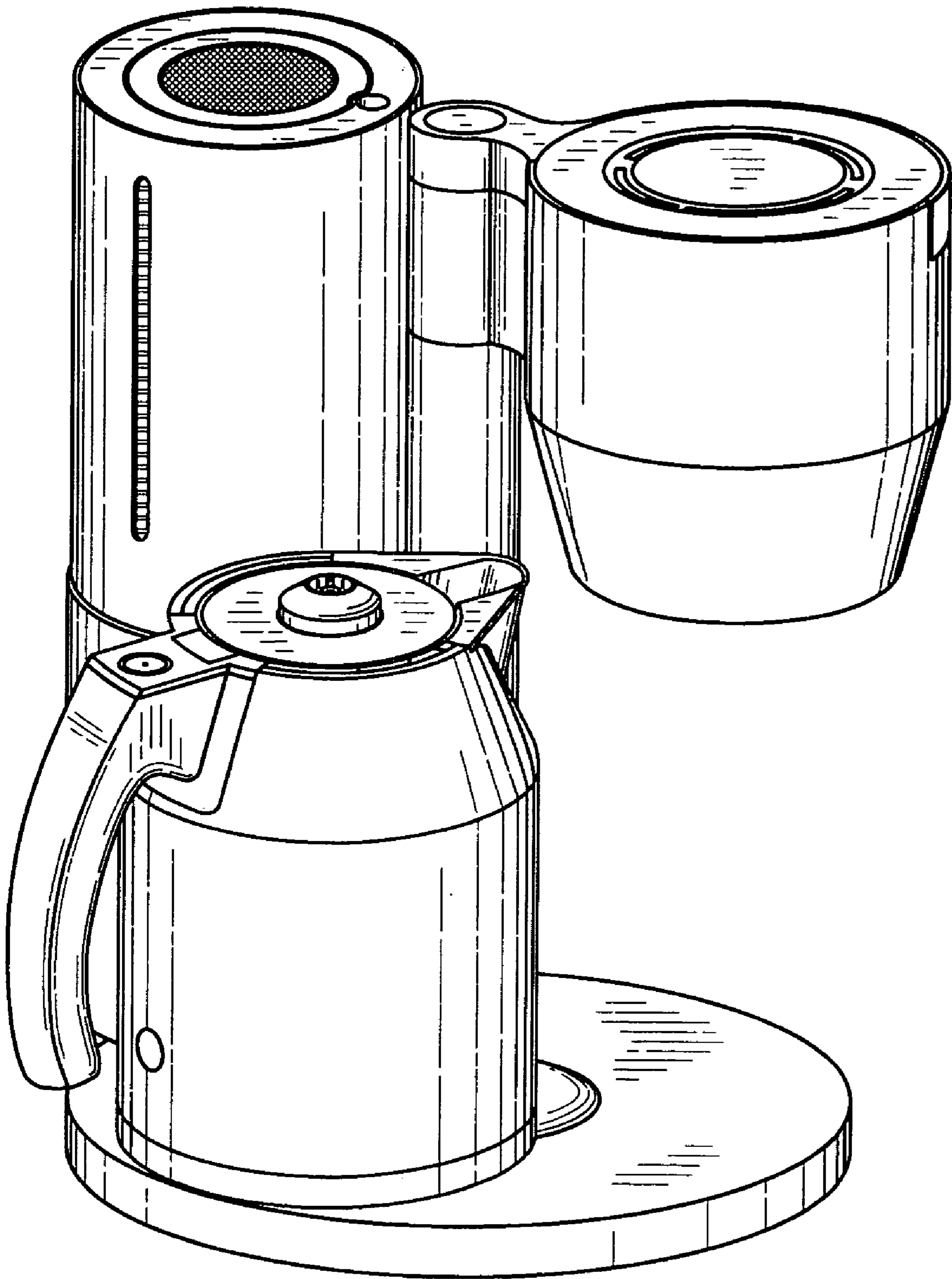


FIG. 23

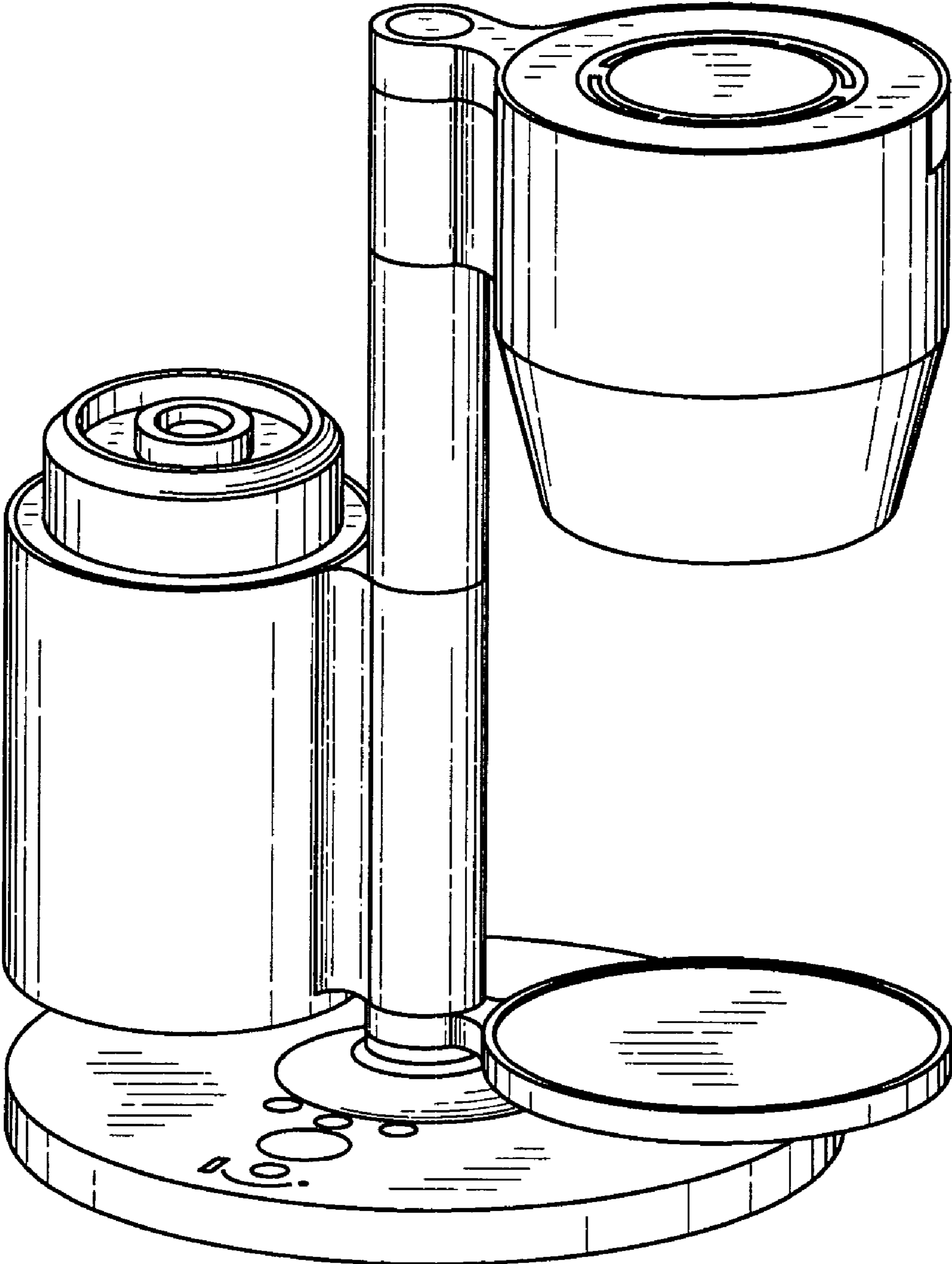


FIG. 24