



US00D79995S

(12) **United States Design Patent**
Jeong et al.

(10) **Patent No.:** **US D799,995 S**

(45) **Date of Patent:** **** Oct. 17, 2017**

(54) **CUP HOLDER FOR TEMPERATURE CONTROL**

(56) **References Cited**

U.S. PATENT DOCUMENTS

(71) Applicant: **LG INNOTEK CO., LTD.**, Seoul (KR)

9,493,102 B2* 11/2016 Tang B60N 3/104

(72) Inventors: **Ki Hyun Jeong**, Seoul (KR); **Jin Ho Kim**, Seoul (KR)

* cited by examiner

(73) Assignee: **LG INNOTEK CO., LTD.**, Seoul (KR)

Primary Examiner — Antoine D Davis

(**) Term: **15 Years**

(74) *Attorney, Agent, or Firm* — KED & Associates, LLP

(21) Appl. No.: **29/560,264**

(57) **CLAIM**

We claim the ornamental design for a cup holder for temperature control, shown and described.

(22) Filed: **Apr. 5, 2016**

DESCRIPTION

(51) **LOC (10) Cl.** **10-04**

(52) **U.S. Cl.**

USPC **D10/49; D7/620**

(58) **Field of Classification Search**

USPC D7/619.1, 620; D10/46.2, 49, 50

CPC B60N 3/104; F25B 2321/021; F25B

2321/023; F25B 2321/025; F25B

2321/0252; F25B 21/02; F25B 21/04;

F25D 21/00; A47G 2023/0275; A47G

2023/0283; A47G 2023/0291; A47J

36/2461; A47J 36/2466; A47J 36/2472

See application file for complete search history.

FIG. 1 is a perspective view of our design;
FIG. 2 is a front view of our design;
FIG. 3 is a rear view of our design;
FIG. 4 is a first side view of our design;
FIG. 5 is a second side view of our design;
FIG. 6 is a top view of our design;
FIG. 7 is, a bottom view of our design; and,
FIG. 8 is a perspective view illustrating a state in which fixing wings for taxing the cup holder are opened.
The subject design is a cup holder for temperature control capable of heating or cooling contents of a cup by inserting the cup into an inner space of the cup holder.

1 Claim, 8 Drawing Sheets

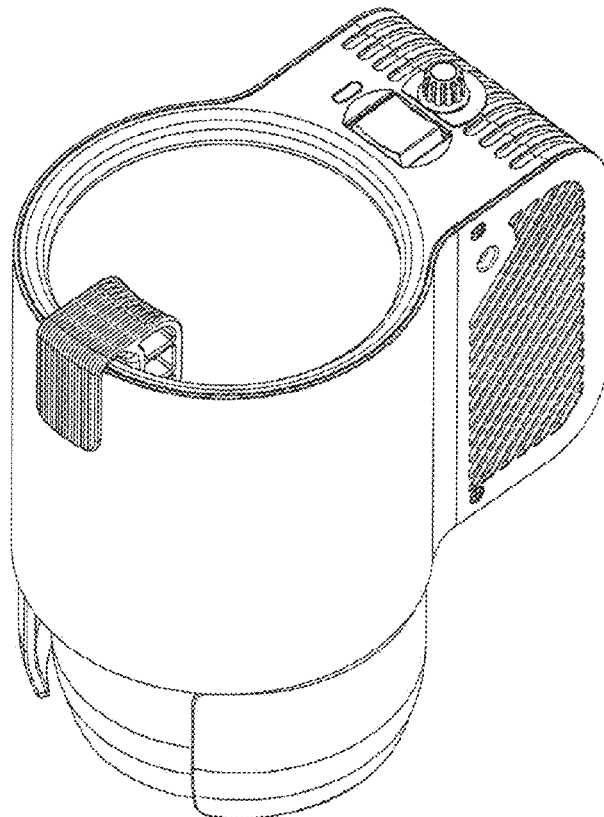


FIG. 1

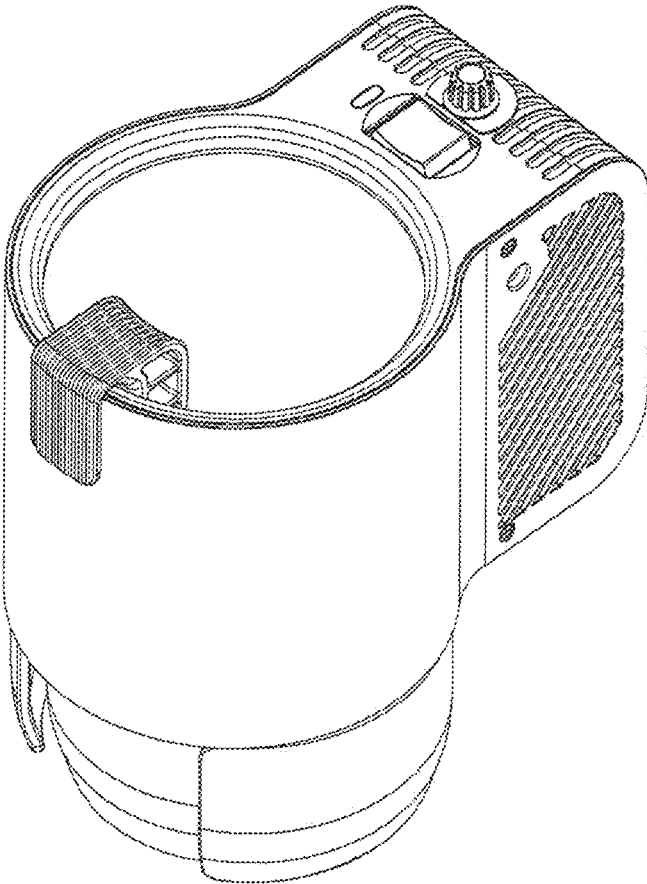


FIG. 2

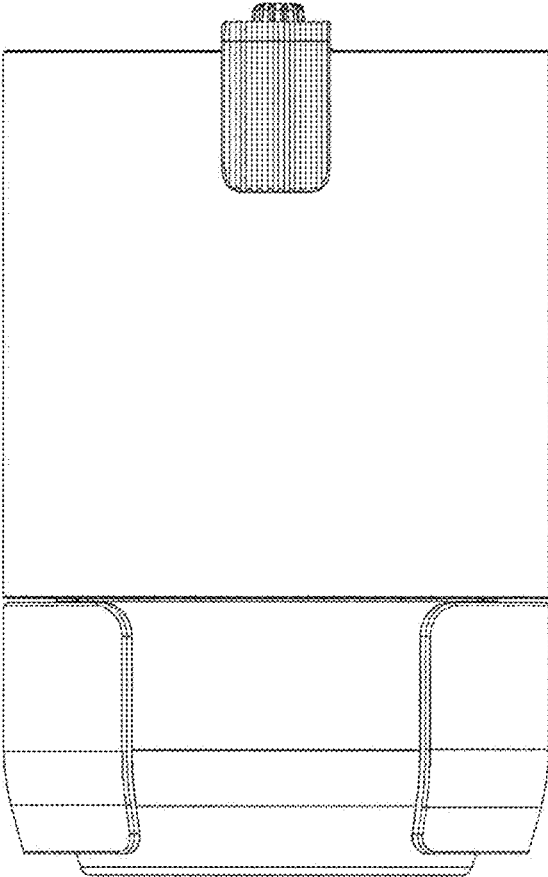


FIG. 3

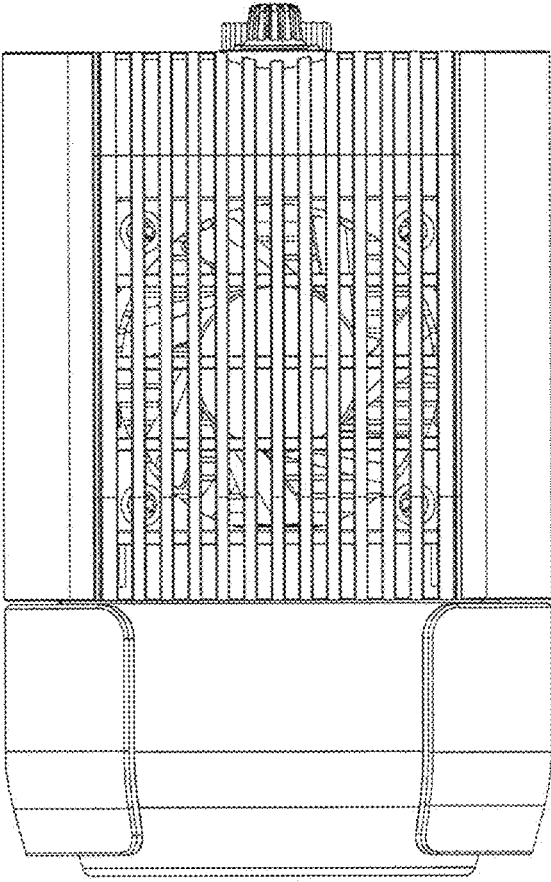


FIG. 4

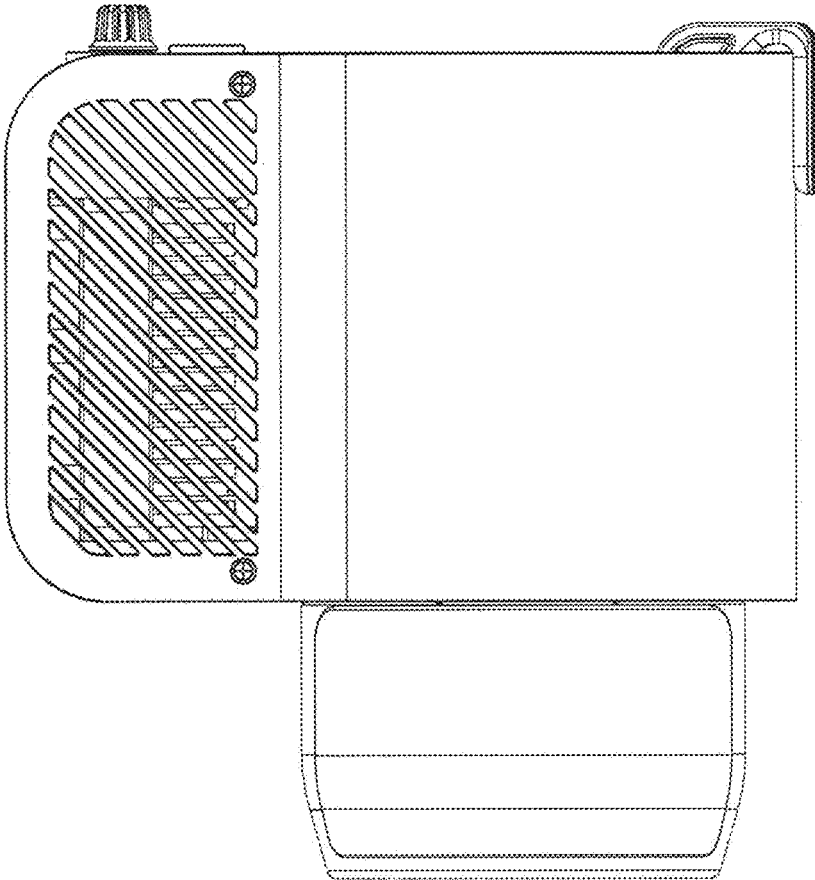


FIG. 5

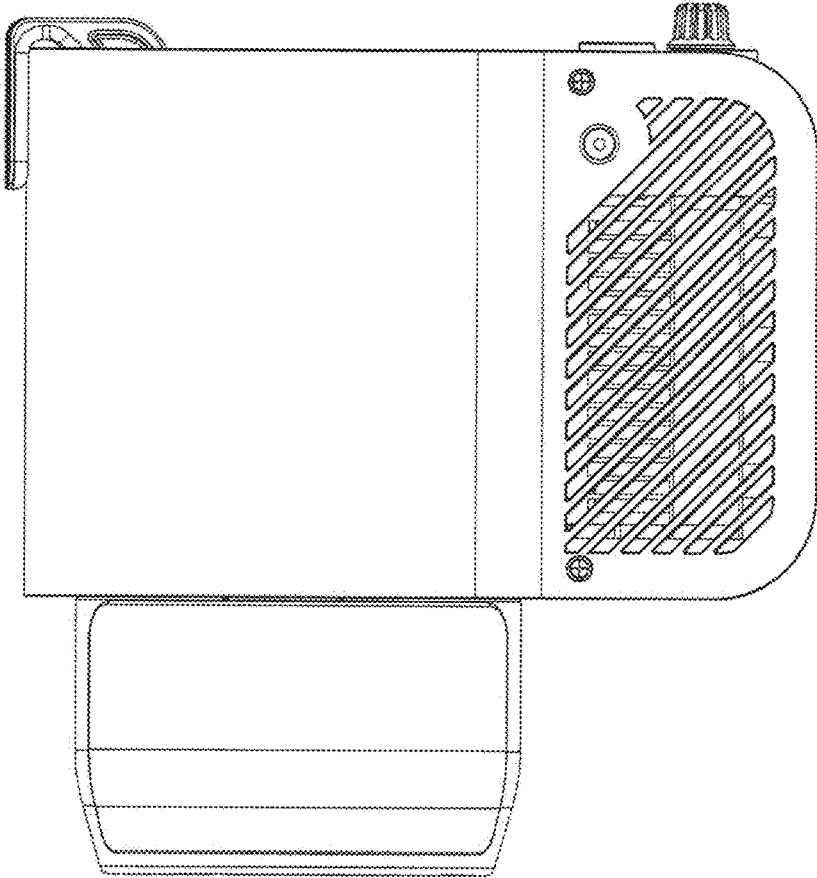


FIG. 6

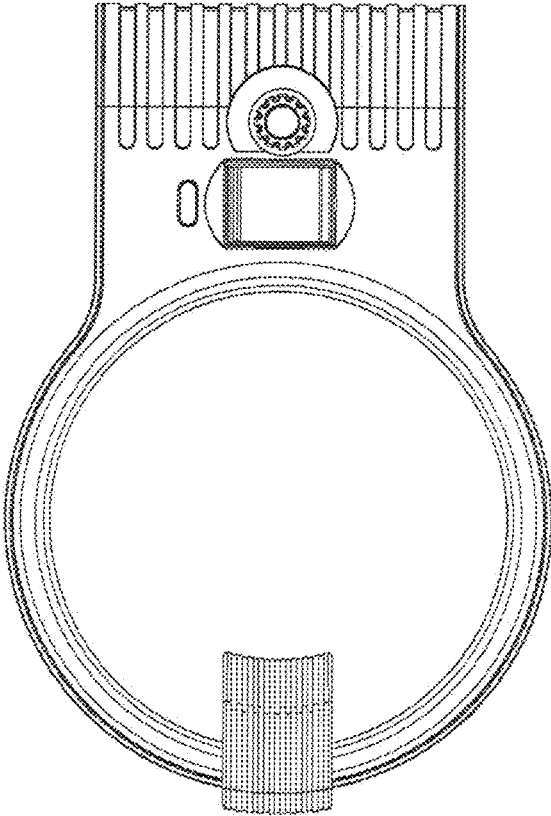


FIG. 7

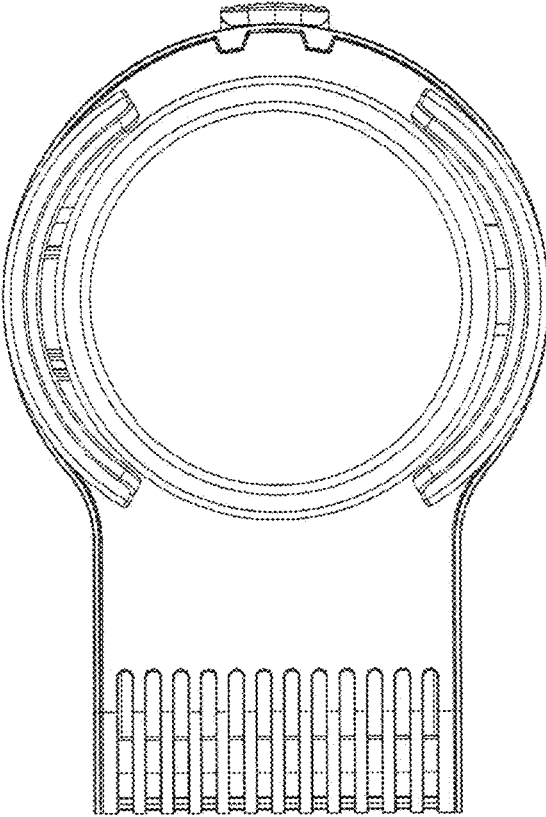


FIG. 8

