



US00D738579S

(12) **United States Design Patent**
Owens et al.

(10) **Patent No.:** **US D738,579 S**
(45) **Date of Patent:** **** Sep. 8, 2015**

- (54) **PET WATER FOUNTAIN**
- (71) Applicant: **Radio Systems Corporation**, Knoxville, TN (US)
- (72) Inventors: **Heather Owens**, Knoxville, TN (US);
Rock Huang, Shenzhen (CN)
- (73) Assignee: **Radio Systems Corp.**, Knoxville, TN (US)
- (**) Term: **14 Years**
- (21) Appl. No.: **29/521,453**
- (22) Filed: **Mar. 24, 2015**
- (51) **LOC (10) Cl.** **30-03**
- (52) **U.S. Cl.**
USPC **D30/132**
- (58) **Field of Classification Search**
USPC D30/123, 129, 132, 121; 119/69.5, 673, 119/57.8, 68, 74, 61.57, 78-81, 61.4, 57.9, 119/51.5, 61.5, 72, 475; 47/66.6, 39, 67, 47/83; 239/280, 200, 281, 280.5, 273, 239/16-32; 4/644, 627, 638; D7/558; D11/144, 145, 153; D99/5, 24; 27/1; D23/201, 292, 204, 205, 214-216; 248/127, 132, 137, 138, 158, 910; 215/10; D6/353, 352, 484, 360, 480, D6/488; 219/521; 329/442, 459; 99/452, 99/483; 40/406, 407; 261/29, 106, 73; 137/560, 563, 801; 55/385.2; 417/527, 417/313; 431/292-294, 289; 362/101; D26/6, 9
CPC A01K 7/00; A01K 7/02; A01K 7/06; A01K 7/04; A01K 7/005; A01K 7/022; A01K 7/025; A01K 7/027; A01K 5/0216; A01K 39/02; F04B 23/00; F04B 23/02; F04B 23/021; F04B 23/026; B05B 17/08; B05B 17/085; B01D 35/30; Y10T 137/86035; Y10T 137/8376; Y10T 137/85954-137/85978
See application file for complete search history.

(56) **References Cited**

U.S. PATENT DOCUMENTS

597,851	A *	1/1898	Hunt	99/503
D30,528	S *	4/1899	Hightower	D22/122
D31,784	S *	11/1899	Howle	D7/360
D46,339	S *	9/1914	Hand	D7/665
1,243,126	A *	10/1917	Ziener	239/20
1,517,339	A *	12/1924	Brown	99/508
1,549,204	A *	8/1925	Merigold	239/20
1,552,076	A *	9/1925	Mosier	119/72
2,103,653	A *	12/1937	Weil	239/23
2,212,328	A *	8/1940	Scurlock	99/497
D123,236	S *	10/1940	Perlmutter	D9/616
2,239,393	A *	4/1941	Lipman	119/74
D150,854	S *	9/1948	Herrera, Jr.	D9/616
2,474,469	A *	6/1949	De La Grange	119/74

(Continued)

Primary Examiner — Susan Moon Lee

(74) *Attorney, Agent, or Firm* — Peter L. Brewer; Baker Donelson

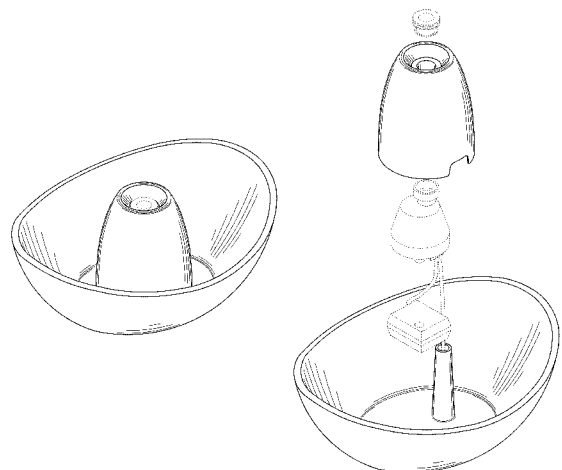
(57) **CLAIM**

The ornamental design for a pet water fountain, as shown and described.

DESCRIPTION

FIG. 1 is a perspective view showing our new design for a pet water fountain.
 FIG. 2 is a top plan view thereof.
 FIG. 3 is a bottom plan view thereof.
 FIG. 4 is a right side elevational view thereof.
 FIG. 5 is a left side elevational view thereof.
 FIG. 6 is a front elevational view thereof.
 FIG. 7 is a back elevational view thereof; and,
 FIG. 8 is a perspective view of the pet water fountain, with certain components shown in exploded-apart relation. A water pumping system is shown in phantom. The structural features shown in broken lines have been shown for the purpose of illustrating portions of the pet water fountain that form no part of the claimed design.

1 Claim, 5 Drawing Sheets



(56)

References Cited

U.S. PATENT DOCUMENTS

D156,331	S	*	12/1949	French	D30/129
D163,084	S	*	5/1951	Biener	D6/536
2,623,561	A	*	12/1952	Higley	99/505
2,661,679	A	*	12/1953	Van Guilder	249/139
D172,390	S	*	6/1954	Hooe	D7/665
2,720,056	A	*	10/1955	Levy	47/41.01
D178,588	S	*	8/1956	Woodson	D7/556
2,978,837	A	*	4/1961	Daniels	47/32
D193,308	S	*	7/1962	Jackson	D7/501
D194,325	S	*	1/1963	Swett	D7/505
D196,777	S	*	11/1963	Haynes	D30/132
3,205,860	A	*	9/1965	Moore	119/52.4
3,399,858	A	*	9/1968	Luker	249/117
3,413,128	A	*	11/1968	Steinbarth et al.	426/115
D215,907	S	*	11/1969	Little	D28/93
3,491,724	A	*	1/1970	Sunner	119/61.54
D216,674	S	*	3/1970	Saji	D9/616
D220,230	S	*	3/1971	Friedman	D28/93
3,756,462	A	*	9/1973	Cain	220/23.83
3,896,586	A	*	7/1975	Caldwell	47/21.1
D245,408	S	*	8/1977	Baumann et al.	D11/155
4,085,706	A	*	4/1978	Evans	119/61.54
D253,272	S	*	10/1979	Ottier	D7/545
D263,915	S	*	4/1982	Kohan	D7/551.1
D273,430	S	*	4/1984	Salinas	D30/130
D291,181	S	*	8/1987	Franco	D9/428
4,717,051	A	*	1/1988	Leclerc	222/545
D294,670	S	*	3/1988	Kurtz	D7/504
D316,686	S	*	5/1991	Tardif	D11/148
D318,416	S	*	7/1991	Jacobs	D9/628
D322,911	S	*	1/1992	Schmengler	D7/359
D323,268	S	*	1/1992	Reiman	D8/1
5,088,392	A	*	2/1992	Ancona et al.	99/499
D326,587	S	*	6/1992	Convertini	D7/540
5,301,602	A	*	4/1994	Rycek	99/345
D347,143	S	*	5/1994	Awyong	D7/354
D351,762	S	*	10/1994	Williams et al.	D7/547
D360,112	S	*	7/1995	McEntee	D7/584
5,456,210	A	*	10/1995	Miller	119/75
5,467,738	A	*	11/1995	Cass	119/61.53
D364,779	S	*	12/1995	Markarian	D7/538
D369,717	S	*	5/1996	Chiba	D7/354
5,575,198	A	*	11/1996	Lowery	99/426
5,628,276	A	*	5/1997	Raposa	119/61.54
D382,511	S	*	8/1997	Azarian	D11/143
5,676,050	A	*	10/1997	Beck	99/428
D389,011	S	*	1/1998	DeCoster	D7/387
5,743,423	A	*	4/1998	Franco	220/23.86
D397,581	S	*	9/1998	Lowery	D7/409
D399,101	S	*	10/1998	Lillelund et al.	D7/665
D407,954	S	*	4/1999	Lehn	D7/665
D412,297	S	*	7/1999	Roach	D11/152
D421,549	S	*	3/2000	Hints	D7/555
6,119,585	A	*	9/2000	Guidry	99/345
D437,522	S	*	2/2001	Measom	D7/354
6,192,792	B1	*	2/2001	Gremillion	99/426
D441,315	S	*	5/2001	Huffman	D11/143
6,257,560	B1	*	7/2001	Kim	261/36.1
6,311,640	B1	*	11/2001	Mercado	119/51.01
D453,488	S	*	2/2002	McCauley	D11/152
6,450,122	B1	*	9/2002	Frank	119/259
6,467,399	B1	*	10/2002	Boutte	99/347
6,575,082	B1	*	6/2003	Liao	99/340
D484,754	S	*	1/2004	Schuler	D7/665
6,705,540	B2	*	3/2004	Koshiyama et al.	239/17
D488,741	S	*	4/2004	Moya	D11/143
D504,581	S	*	5/2005	Kim et al.	D6/677
D513,821	S	*	1/2006	Kenig	D1/106
D533,162	S	*	12/2006	Lovegreen et al.	D14/191
D558,519	S	*	1/2008	Zemel	D7/409
D559,472	S	*	1/2008	Abinanti et al.	D30/129
D562,071	S	*	2/2008	Yang	D7/505
D564,286	S	*	3/2008	Zemel	D7/354
7,337,711	B2	*	3/2008	Holcomb et al.	99/508
D582,102	S	*	12/2008	Roes	D30/132
D587,529	S	*	3/2009	Pratt	D7/555
D598,224	S	*	8/2009	Zanini	D11/152
7,690,585	B1	*	4/2010	Johns et al.	239/16
D627,257	S	*	11/2010	Blevins et al.	D11/155
7,823,538	B1	*	11/2010	Merager	119/72
7,879,381	B2	*	2/2011	Dow et al.	426/523
D657,612	S	*	4/2012	Cloutier et al.	D7/354
D664,011	S	*	7/2012	Affonso	D7/665
D681,887	S	*	5/2013	Fang	D30/132
D681,888	S	*	5/2013	Fang	D30/132
D682,482	S	*	5/2013	Nelson	D30/129
D689,245	S	*	9/2013	Rowe et al.	D30/132
D693,730	S	*	11/2013	Zak et al.	D11/148
D694,477	S	*	11/2013	Rowe et al.	D30/132
D704,903	S	*	5/2014	Fang	D30/132
D707,493	S	*	6/2014	Frei	D7/558
D709,655	S	*	7/2014	Lipscomb	D30/132
2010/0095897	A1	*	4/2010	Rowe	119/72
2011/0067638	A1	*	3/2011	Lipscomb et al.	119/74
2011/0219959	A1	*	9/2011	Hauser	99/508
2012/0216751	A1	*	8/2012	Rowe	119/72
2013/0174790	A1	*	7/2013	Lipscomb	119/74

* cited by examiner

FIG. 1

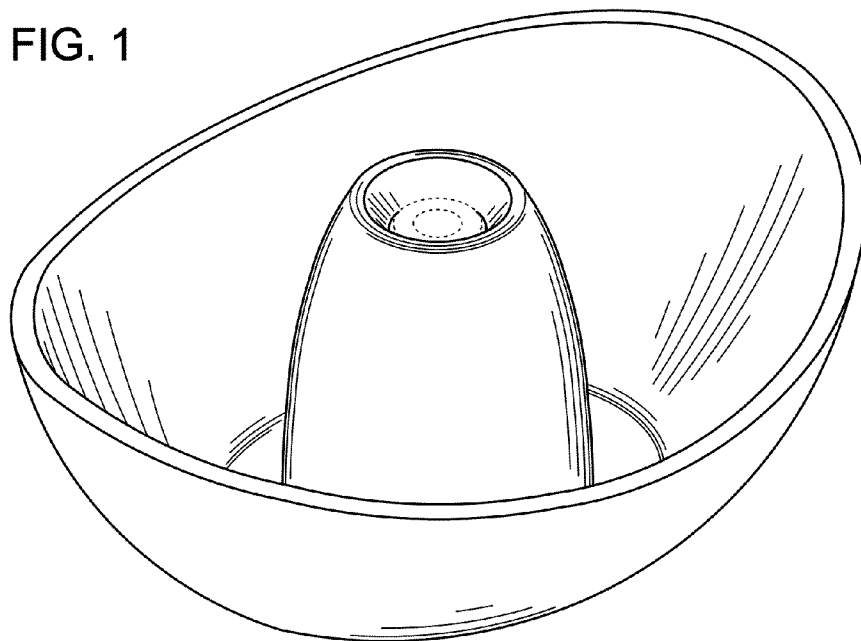


FIG. 2

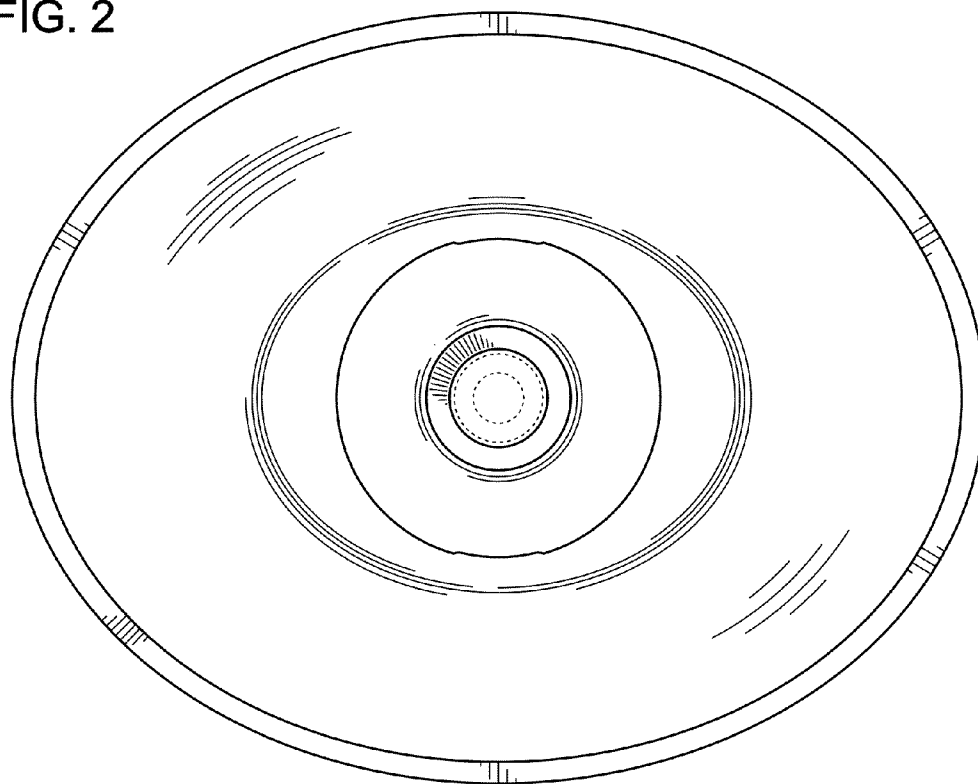


FIG. 3

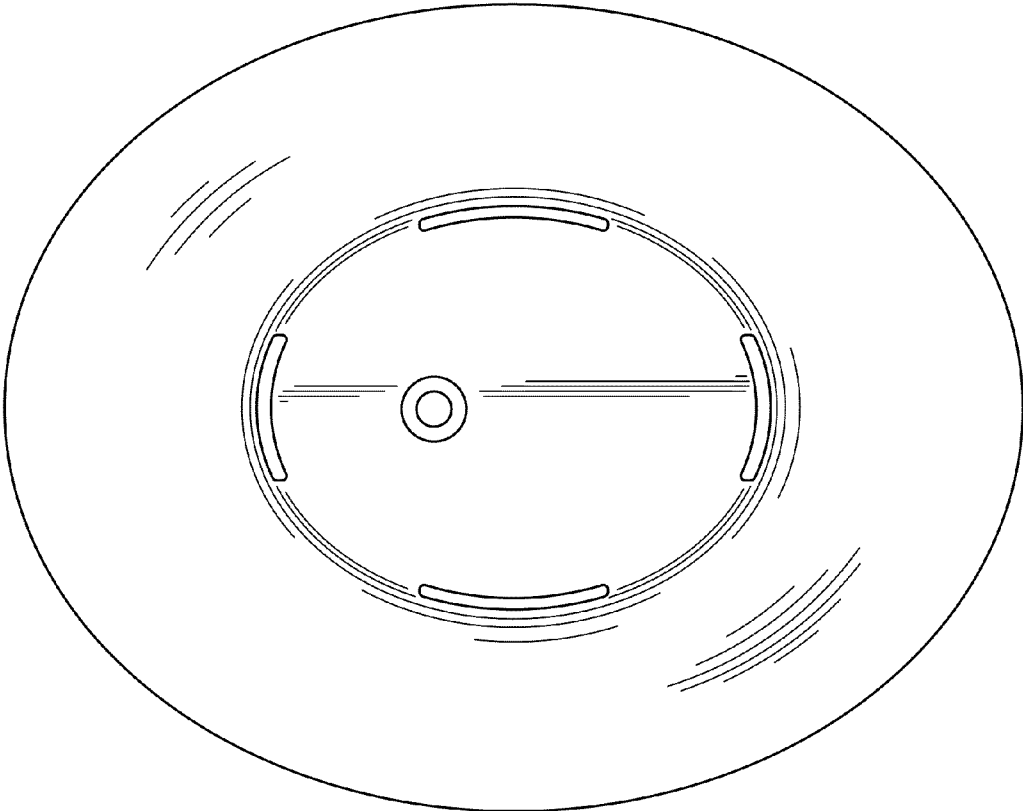


FIG. 4

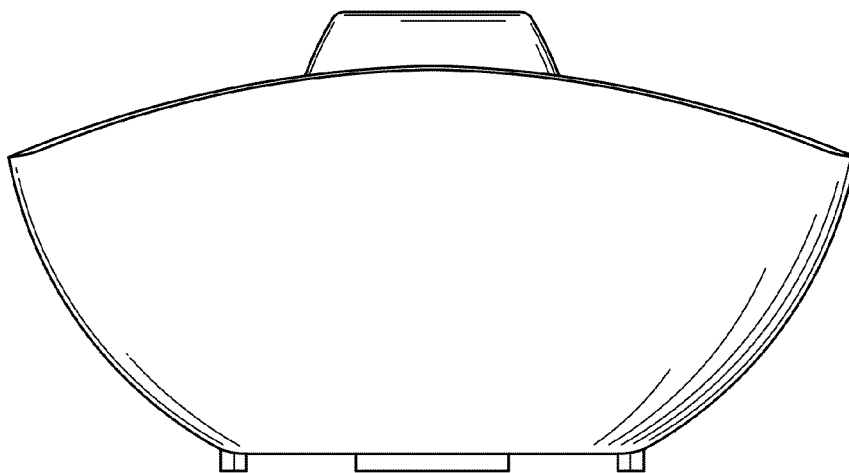


FIG. 5

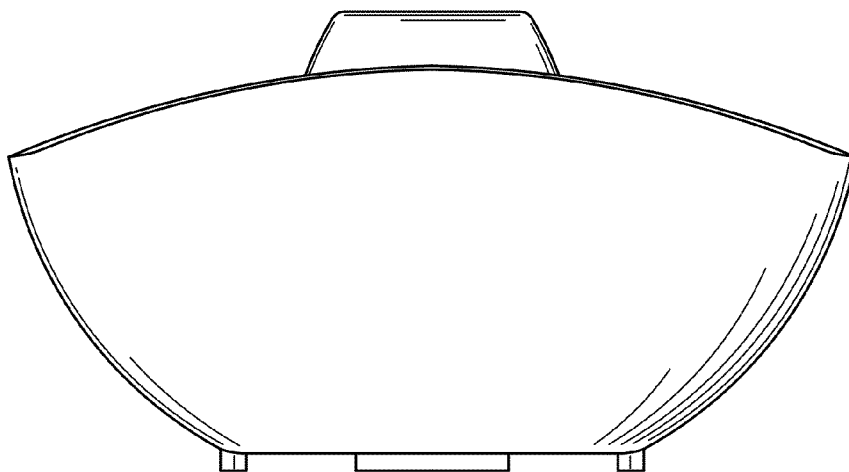


FIG. 6

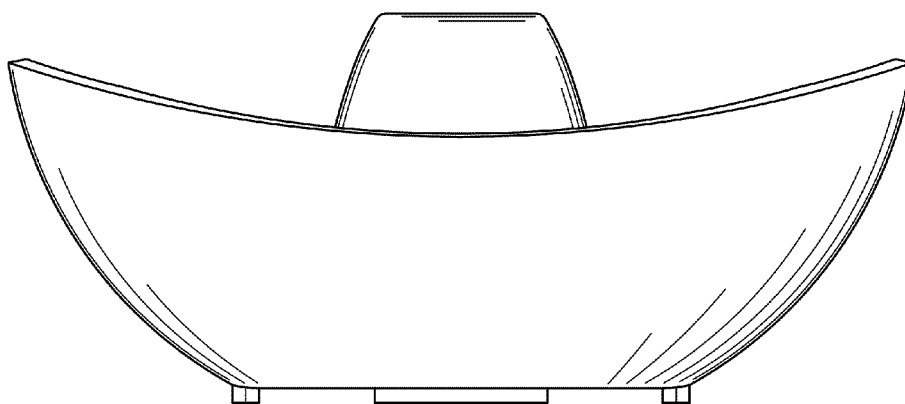


FIG. 7

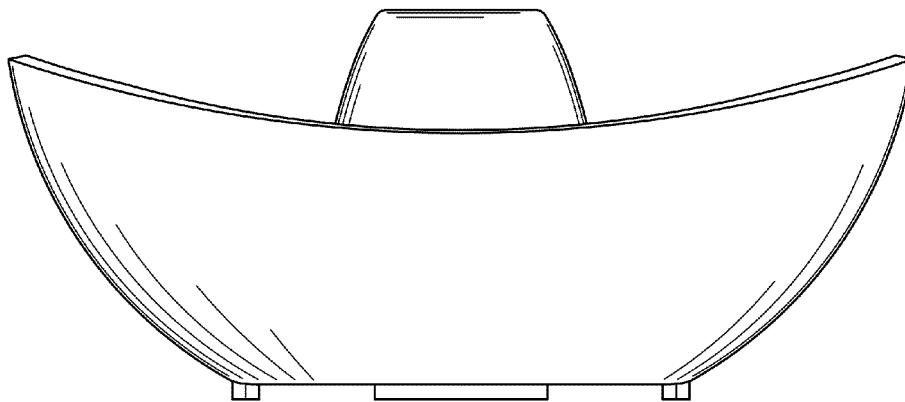


FIG. 8

