

(19) World Intellectual Property Organization
International Bureau



(43) International Publication Date
29 May 2008 (29.05.2008)

PCT

(10) International Publication Number
WO 2008/063643 A3

- (51) International Patent Classification:
G01N 29/02 (2006.01) *F04B 43/12* (2006.01)
B01L 3/00 (2006.01)
- (21) International Application Number:
PCT/US2007/024265
- (22) International Filing Date:
20 November 2007 (20.11.2007)
- (25) Filing Language: English
- (26) Publication Language: English
- (30) Priority Data:
11/603,285 21 November 2006 (21.11.2006) US
11/603,347 21 November 2006 (21.11.2006) US
- (71) Applicant (for all designated States except US):
BIOSCALE, INC. [US/US]; 75 Sidney St., 3rd Floor,
Cambridge, MA 02139 (US).
- (72) Inventors; and
- (75) Inventors/Applicants (for US only): **BRANCAZIO, David** [US/US]; 17 Norumbega Street, Cambridge, MA 02138 (US). **MASTERS, Brett** [NZ/US]; 37 Keenan Street, Watertown, MA 02472 (US). **FRANCE, Eric** [US/US]; 8 Tinson Road, #302, Quincy, MA 02169 (US). **KAVALAUSKAS, Matthew** [US/US]; 96 New Estate

Road, Littleton, MA 01460 (US). **FALB, Peter, Wight** [US/US]; 70 Hersey Street, Hingham, MA 02043 (US).

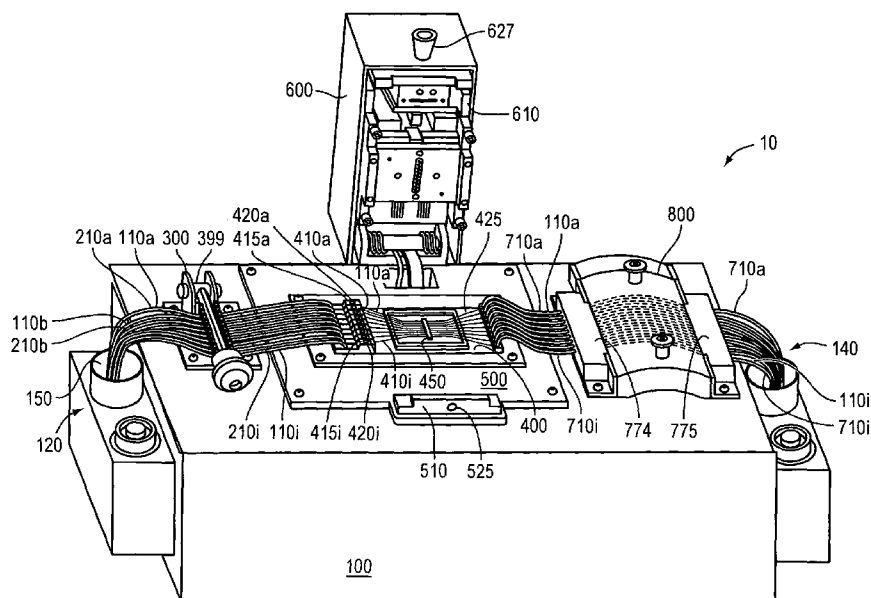
(74) Agent: **WHYTE, Carolyn, E.**; Proskauer Rose LLP, One International Place, Boston, MA 02110 (US).

(81) Designated States (unless otherwise indicated, for every kind of national protection available): AE, AG, AL, AM, AT, AU, AZ, BA, BB, BG, BH, BR, BW, BY, BZ, CA, CH, CN, CO, CR, CU, CZ, DE, DK, DM, DO, DZ, EC, EE, EG, ES, FI, GB, GD, GE, GH, GM, GT, HN, HR, HU, ID, IL, IN, IS, JP, KE, KG, KM, KN, KP, KR, KZ, LA, LC, LK, LR, LS, LT, LU, LY, MA, MD, ME, MG, MK, MN, MW, MX, MY, MZ, NA, NG, NI, NO, NZ, OM, PG, PH, PL, PT, RO, RS, RU, SC, SD, SE, SG, SK, SL, SM, SV, SY, TJ, TM, TN, TR, TT, TZ, UA, UG, US, UZ, VC, VN, ZA, ZM, ZW.

(84) Designated States (unless otherwise indicated, for every kind of regional protection available): ARIPO (BW, GH, GM, KE, LS, MW, MZ, NA, SD, SL, SZ, TZ, UG, ZM, ZW), Eurasian (AM, AZ, BY, KG, KZ, MD, RU, TJ, TM), European (AT, BE, BG, CH, CY, CZ, DE, DK, EE, ES, FI, FR, GB, GR, HU, IE, IS, IT, LT, LU, LV, MC, MT, NL, PL, PT, RO, SE, SI, SK, TR), OAPI (BF, BJ, CF, CG, CI, CM, GA, GN, GQ, GW, ML, MR, NE, SN, TD, TG).

[Continued on next page]

(54) Title: METHOD AND APPARATUS FOR ANALYTE PROCESSING



(57) Abstract: The invention relates to a system for processing an analyte. The system includes a fluid reservoir, a plurality of sample reservoirs, a plurality of channels, a pump that synchronously draws from the fluid reservoir and the plurality of sample reservoirs to provide a plurality of samples through the plurality of channels and a processing device, for example, a flexural plate wave device, for processing the plurality of samples in the plurality of channels. A valve including a pin disposed beneath a dowel and a pusher pushes the pin toward a fastened dowel, which pinches a portion of the channel disposed there between. A socket provides electrical contact to the processing device.

WO 2008/063643 A3



Published:

- *with international search report*
- *before the expiration of the time limit for amending the claims and to be republished in the event of receipt of amendments*

(88) Date of publication of the international search report:
25 September 2008

INTERNATIONAL SEARCH REPORT

International application No
PCT/US2007/024265

A. CLASSIFICATION OF SUBJECT MATTER
 INV. GO1N29/02 B01L3/00 F04B43/12

According to International Patent Classification (IPC) or to both national classification and IPC

B. FIELDS SEARCHED

Minimum documentation searched (classification system followed by classification symbols)
 GO1N B01L F04B

Documentation searched other than minimum documentation to the extent that such documents are included in the fields searched

Electronic data base consulted during the international search (name of data base and, where practical, search terms used)
 EPO-Internal

C. DOCUMENTS CONSIDERED TO BE RELEVANT

Category*	Citation of document, with indication, where appropriate, of the relevant passages	Relevant to claim No.
X	US 2003/154031 A1 (POTYRAILO RADISLAV ALEXANDROVI [US] ET AL) 14 August 2003 (2003-08-14)	1,2
Y	paragraph [0013] - paragraph [0014] paragraph [0032] paragraph [0037] - paragraph [0040] paragraph [0046] - paragraph [0047] paragraph [0053] figures 1-3	3-15
A	----- US 7 118 922 B1 (BHANSALI SHEKHAR [US] ET AL) 10 October 2006 (2006-10-10) column 1, line 16 - column 1, line 27 column 1, line 39 - column 1, line 51 column 2, line 38 - column 2, line 51 figure 1 ----- -/--	1

Further documents are listed in the continuation of Box C. See patent family annex.

* Special categories of cited documents :

<p>"A" document defining the general state of the art which is not considered to be of particular relevance</p> <p>"E" earlier document but published on or after the international filing date</p> <p>"L" document which may throw doubts on priority claim(s) or which is cited to establish the publication date of another citation or other special reason (as specified)</p> <p>"O" document referring to an oral disclosure, use, exhibition or other means</p> <p>"P" document published prior to the international filing date but later than the priority date claimed.</p>	<p>"T" later document published after the international filing date or priority date and not in conflict with the application but cited to understand the principle or theory underlying the invention</p> <p>"X" document of particular relevance; the claimed invention cannot be considered novel or cannot be considered to involve an inventive step when the document is taken alone</p> <p>"Y" document of particular relevance; the claimed invention cannot be considered to involve an inventive step when the document is combined with one or more other such documents, such combination being obvious to a person skilled in the art.</p> <p>"&" document member of the same patent family</p>
---	--

Date of the actual completion of the international search 10 April 2008	Date of mailing of the international search report 01/08/2008
---	---

Name and mailing address of the ISA/ European Patent Office, P.B. 5818 Patentlaan 2 NL - 2280 HV Rijswijk Tel. (+31-70) 340-2040, Tx. 31 651 epo nl, Fax: (+31-70) 340-3016	Authorized officer Koch, Anette
---	---

INTERNATIONAL SEARCH REPORT

International application No
PCT/US2007/024265

C(Continuation). DOCUMENTS CONSIDERED TO BE RELEVANT

Category*	Citation of document, with indication, where appropriate, of the relevant passages	Relevant to claim No.
Y	WO 2005/111426 A (MATSUSHITA ELECTRIC IND CO LTD [JP]; HIGUCHI AKIRA) 24 November 2005 (2005-11-24) the whole document	3-15
P,A	& EP 1 752 663 A (MATSUSHITA ELECTRIC IND CO LTD [JP]) 14 February 2007 (2007-02-14) paragraph [0001] paragraph [0064] - paragraph [0065] paragraph [0071] - paragraph [0074] paragraph [0078] - paragraph [0086] paragraph [0126] - paragraph [0140] figures 1-3,6,17-25	3-15
A	----- WO 2006/119308 A (BIOSCALE INC [US]; SAUER-BUDGE ALEXIS F [US]; FITCH ERIC [US]; MASTERS) 9 November 2006 (2006-11-09) paragraph [0017] - paragraph [0020] paragraph [0096] - paragraph [0097] paragraph [0107] figure 1A	1
A	----- GRATE AND FRYE: "Acoustic Wave Sensors" SENSORS UPDATE, XX, XX, 1996, pages 37-83, XP002205093 paragraph [2.2.10] paragraph [2.3.1] figure 2.1 figure 2.4 paragraph [2.4.5]	1

INTERNATIONAL SEARCH REPORT

International application No.
PCT/US2007/024265

Box No. II Observations where certain claims were found unsearchable (Continuation of item 2 of first sheet)

This international search report has not been established in respect of certain claims under Article 17(2)(a) for the following reasons:

1. Claims Nos.:
because they relate to subject matter not required to be searched by this Authority, namely:

2. Claims Nos.:
because they relate to parts of the international application that do not comply with the prescribed requirements to such an extent that no meaningful international search can be carried out, specifically:

3. Claims Nos.:
because they are dependent claims and are not drafted in accordance with the second and third sentences of Rule 6.4(a).

Box No. III Observations where unity of invention is lacking (Continuation of item 3 of first sheet)

This International Searching Authority found multiple inventions in this international application, as follows:

see additional sheet

1. As all required additional search fees were timely paid by the applicant, this international search report covers allsearchable claims.
2. As all searchable claims could be searched without effort justifying an additional fees, this Authority did not invite payment of additional fees.
3. As only some of the required additional search fees were timely paid by the applicant, this international search reportcovers only those claims for which fees were paid, specifically claims Nos.:
4. No required additional search fees were timely paid by the applicant. Consequently, this international search report is restricted to the invention first mentioned in the claims; it is covered by claims Nos.:

1-15

Remark on Protest

- The additional search fees were accompanied by the applicant's protest and, where applicable, the payment of a protest fee.
- The additional search fees were accompanied by the applicant's protest but the applicable protest fee was not paid within the time limit specified in the invitation.
- No protest accompanied the payment of additional search fees.

FURTHER INFORMATION CONTINUED FROM PCT/ISA/ 210

This International Searching Authority found multiple (groups of) inventions in this international application, as follows:

1. claims: 1-15

A system for processing a sample

2. claims: 16-25

A valve for a sample processing system, and a sample processing system comprising, among others, a valve

3. claims: 26-35

A system for processing a sample, comprising, among others, a socket having a plurality of magnets, and a method of actuating a processing device

4. claims: 36-39

A system for processing a sample, comprising, among others, a thermal conditioning interface that contacts at least a portion of the plurality of channels

5. claims: 40-71

A cartridge for processing a sample, and a method for aligning a cartridge

INTERNATIONAL SEARCH REPORT

Information on patent family members

International application No

PCT/US2007/024265

Patent document cited in search report	Publication date	Patent family member(s)	Publication date
US 2003154031	A1	14-08-2003	NONE
US 7118922	B1	10-10-2006	NONE
WO 2005111426	A	24-11-2005	CA 2566593 A1 24-11-2005 EP 1752663 A1 14-02-2007 US 2008038129 A1 14-02-2008
EP 1752663	A	14-02-2007	CA 2566593 A1 24-11-2005 WO 2005111426 A1 24-11-2005 US 2008038129 A1 14-02-2008
WO 2006119308	A	09-11-2006	EP 1886142 A2 13-02-2008 EP 1891441 A2 27-02-2008 KR 20080016595 A 21-02-2008 KR 20080027239 A 26-03-2008 US 2006286685 A1 21-12-2006 US 2007037142 A1 15-02-2007 US 2007037231 A1 15-02-2007 US 2007042441 A1 22-02-2007 US 2006257945 A1 16-11-2006 US 2007281371 A1 06-12-2007 WO 2007030155 A2 15-03-2007