



US00D768751S

(12) **United States Design Patent**
Sarwari

(10) **Patent No.:** **US D768,751 S**

(45) **Date of Patent:** **** Oct. 11, 2016**

(54) **CAMERA CHASSIS**

(71) Applicant: **Altia Systems, Inc.**, Cupertino, CA (US)

(72) Inventor: **Atif Sarwari**, Saratoga, CA (US)

(73) Assignee: **ALTIA SYSTEMS, INC.**, Cupertino, CA (US)

(**) Term: **14 Years**

(21) Appl. No.: **29/470,323**

(22) Filed: **Oct. 18, 2013**

(51) **LOC (10) Cl.** **16-05**

(52) **U.S. Cl.**
USPC **D16/219**

(58) **Field of Classification Search**
USPC D16/200–208, 210, 214, 218, 219, 242, D16/244, 245; 348/373–376; 358/906; 396/419, 427, 428, 535, 539–541
CPC G03B 15/03; G03B 17/02; G03B 17/04; G03B 17/56; G03B 19/04; H04N 5/2251; H04N 5/2252; H04N 5/2253; H04N 5/2254; H04N 2101/00

See application file for complete search history.

(56) **References Cited**

U.S. PATENT DOCUMENTS

D424,086 S *	5/2000	Choi	D16/203
D475,385 S *	6/2003	Christianson	D16/202
D505,439 S *	5/2005	Liiv	D16/208
D558,810 S *	1/2008	Alden et al.	D16/202
D563,446 S *	3/2008	Stephens et al.	D16/202
D604,352 S *	11/2009	Carlesso	D16/245
D606,573 S *	12/2009	Testa et al.	D16/218

* cited by examiner

Primary Examiner — Susan E Krakower

Assistant Examiner — Ramzi Almatrahi

(74) *Attorney, Agent, or Firm* — HM Law Group LLP; Vani Moodley, Esq.

(57) **CLAIM**

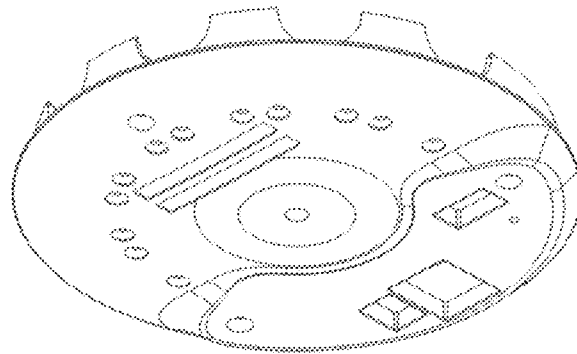
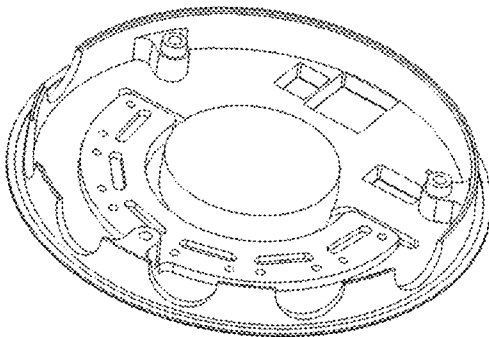
I claim the ornamental design for a camera chassis, as shown and described.

DESCRIPTION

FIG. 1 is a top perspective view of a camera chassis showing my new design; and,

FIG. 2 is a bottom perspective view of a camera chassis.

1 Claim, 2 Drawing Sheets



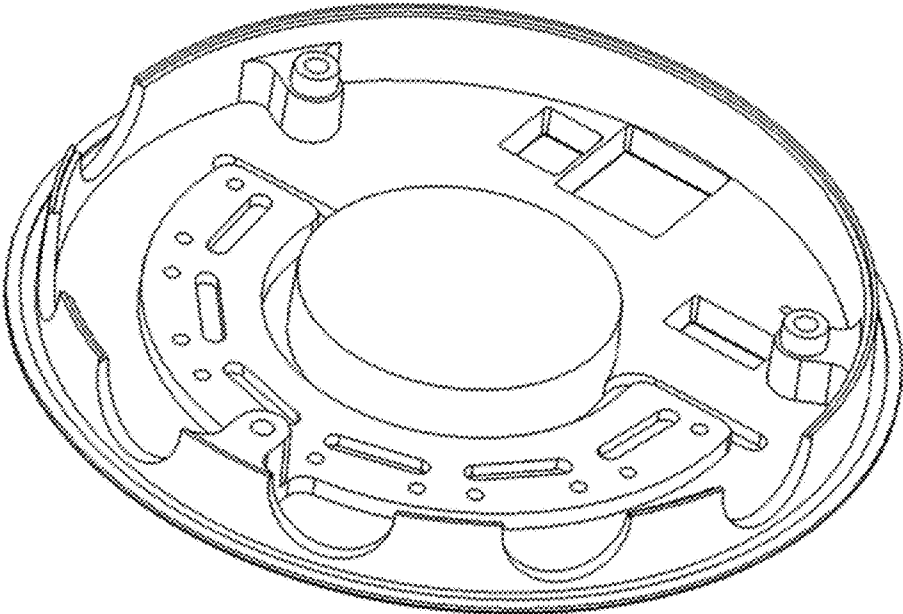


FIG. 1

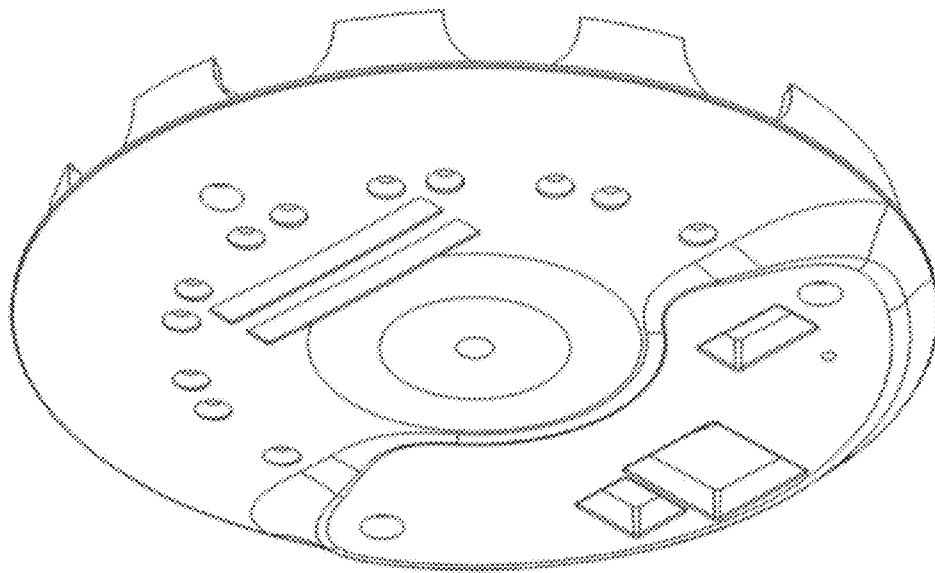


FIG. 2