



US00D836746S

(12) **United States Design Patent**
Tyrone

(10) **Patent No.:** **US D836,746 S**

(45) **Date of Patent:** **** Dec. 25, 2018**

- (54) **ADJUSTABLE CHEEK RISER**
- (71) Applicant: **John Tyrone**, West Peoria, IL (US)
- (72) Inventor: **John Tyrone**, West Peoria, IL (US)
- (**) Term: **15 Years**
- (21) Appl. No.: **29/623,638**
- (22) Filed: **Oct. 26, 2017**
- (51) **LOC (11) Cl.** **22-01**
- (52) **U.S. Cl.**
USPC **D22/108**
- (58) **Field of Classification Search**
USPC D22/100, 101, 103, 106, 108, 109, 110,
D22/111, 117, 199; D21/300, 301, 570,
D21/573, 574, 575
CPC F41B 5/14; F41B 5/00; F41C 27/00; F41C
23/14; F41C 23/06; F41C 3/00; F41C
7/00; F41C 23/20; F41C 23/08; F41C
23/10; F41G 11/003; F41G 1/18; F41G
1/38; F41G 1/545
See application file for complete search history.

D787,620	S *	5/2017	Slater	D22/108
D788,252	S *	5/2017	Slater	D22/108
9,726,444	B1 *	8/2017	Sisk	F41A 3/66
D819,769	S *	6/2018	Stevens	D22/108
D823,979	S *	7/2018	Stevens	D22/108
2006/0254111	A1 *	11/2006	Giauque	F41C 23/04
					42/72
2007/0101631	A1 *	5/2007	Bentley	F41C 23/14
					42/74
2008/0236016	A1 *	10/2008	Fitzpatrick	F41C 23/14
					42/71.01

(Continued)

OTHER PUBLICATIONS

<https://www.amazon.com/dp/B07CG5BWCN>—Earliest product review date of Jun. 4, 2018.*

(Continued)

Primary Examiner — Manpreet S Matharu
Assistant Examiner — Mojtaba Tehrani
(74) *Attorney, Agent, or Firm* — McDonnell Boehnen
Hulbert & Berghoff LLP

(57) **CLAIM**

The ornamental design for an adjustable cheek riser, as shown and described.

DESCRIPTION

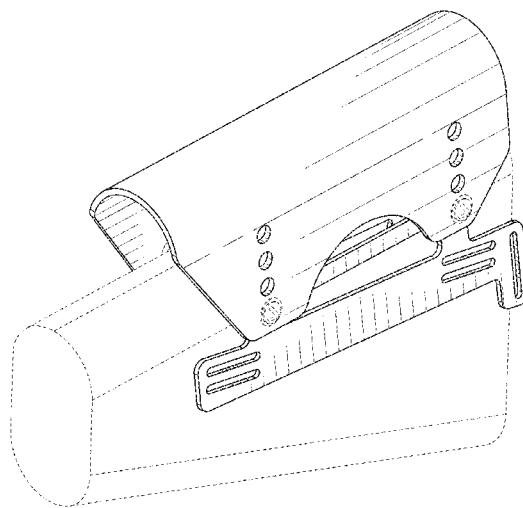
FIG. 1 is a perspective view of an adjustable cheek riser showing my new design;
FIG. 2 is a left side view thereof;
FIG. 3 is a right side view thereof;
FIG. 4 is a rear view thereof;
FIG. 5 is a front view thereof;
FIG. 6 is a top view thereof;
FIG. 7 is a bottom view thereof; and,
FIG. 8 is another perspective view thereof.
The broken lines illustrate portions of the drawings that form no part of the claimed design.

1 Claim, 4 Drawing Sheets

(56) **References Cited**

U.S. PATENT DOCUMENTS

7,124,529	B1 *	10/2006	Havelka, Jr.	F41C 23/08
					42/74
D634,388	S *	3/2011	Peterson	D22/108
D639,891	S *	6/2011	Chvala	D22/108
D643,085	S *	8/2011	Peterson	D22/103
D645,532	S *	9/2011	Peterson	D22/103
D645,533	S *	9/2011	Peterson	D22/108
8,341,867	B2 *	1/2013	Criswell	F41C 23/14
					42/73
D685,873	S *	7/2013	Baker	D22/108
D704,294	S *	5/2014	Jarboe	D22/108
D707,323	S *	6/2014	Claeys	D22/108
D733,247	S *	6/2015	Lewis	D22/108
D742,470	S *	11/2015	Battaglia	D22/108
D753,782	S *	4/2016	Vazquez	D22/108



(56) **References Cited**

U.S. PATENT DOCUMENTS

2009/0288324	A1*	11/2009	Peterson	F41A 11/02 42/75.03
2011/0016764	A1*	1/2011	Cales	F41C 23/14 42/90
2014/0196343	A1*	7/2014	Wilson	F41C 23/14 42/71.01
2014/0245649	A1*	9/2014	Fluhr	F41C 23/14 42/73
2014/0283428	A1*	9/2014	Slater	F41C 23/14 42/71.01

OTHER PUBLICATIONS

<https://www.amazon.com/dp/B01B3UL4NM>—Retrieved on Aug. 1, 2018.*

Cheek Rest, M14/M1A, Adjustable, Ambidextrous, Kydex, FA by Tac Pro Gen II, Fulton Armory, <http://www.fulton-armory.com/cheek-rest-adjustable-kydex-m14-m1a-fa-by-tacpro-1.aspx>, Retrieved on Oct. 10, 2017.

Karsten Adjustable Cheek Piece, Sniper Central, <http://www.snipercentral.com/karsten-adjustable-cheek-piece/>, Retrieved on Oct. 10, 2017.

Russian adjustable cheek rest for polymer stocks, Russian Surplus, http://www.russiansurplus.net/product_p/ca-poly-adj-cheek-rest.htm, Retrieved on Oct. 10, 2017.

Voodoo Tactical Adjustable Cheek Rest with Ammo Carrier, LA Police Gear, <http://www.lapolicegear.com/voodoo-cheek-piece.html>, Retrieved on Oct. 10, 2017.

* cited by examiner

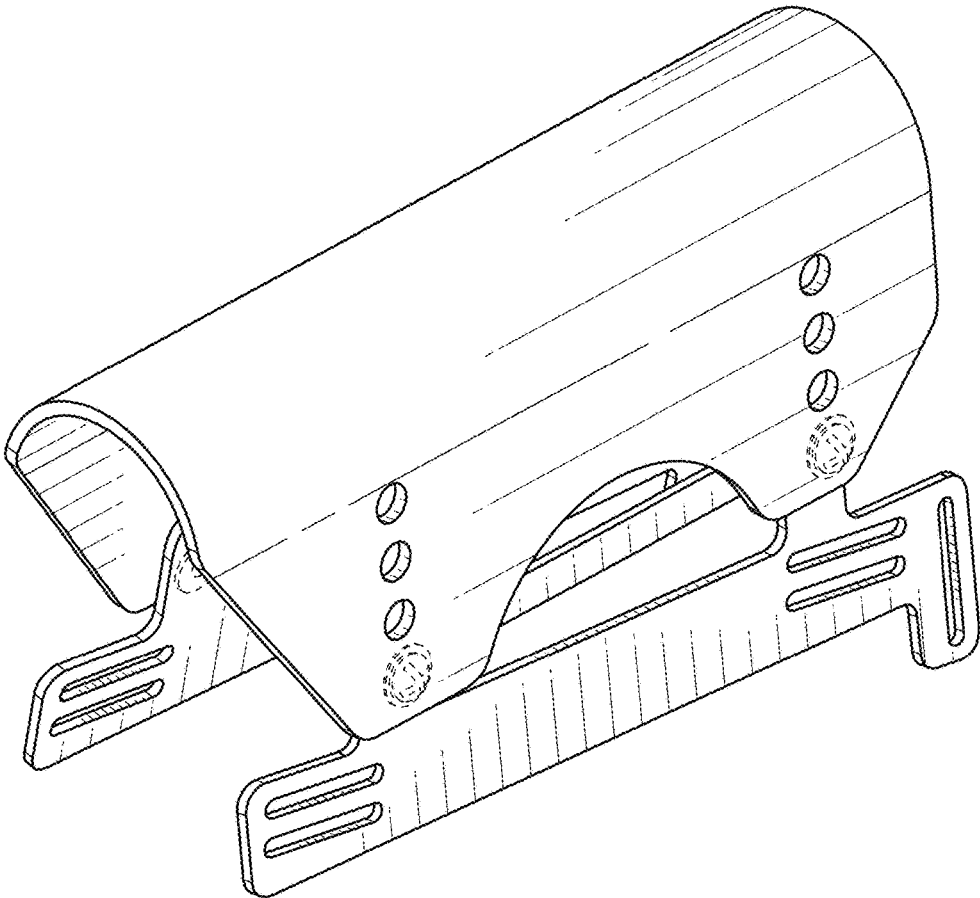


FIG. 1

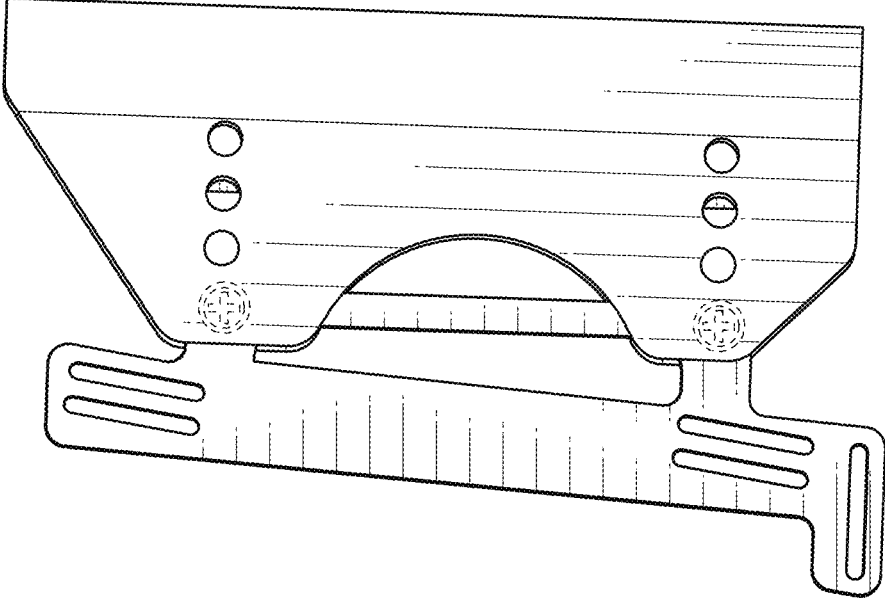


FIG. 2

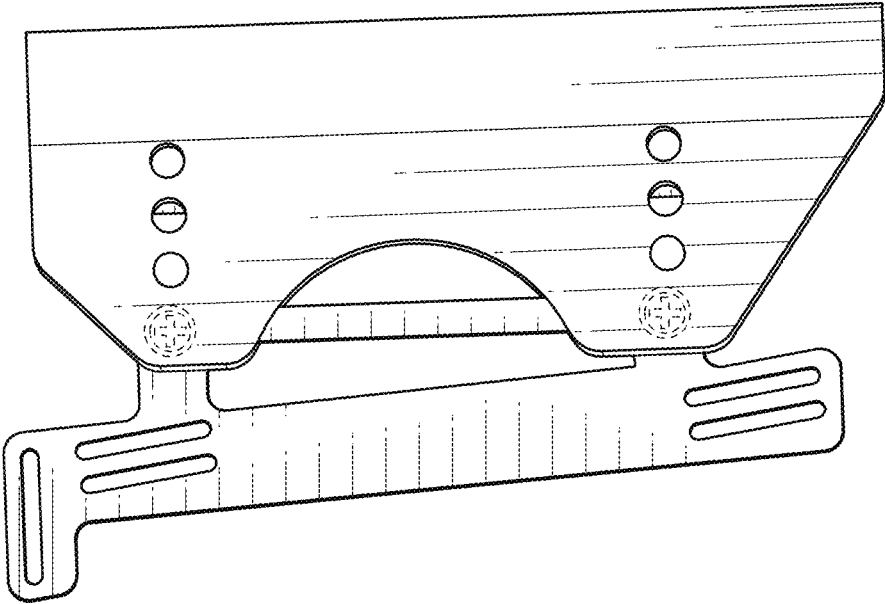


FIG. 3

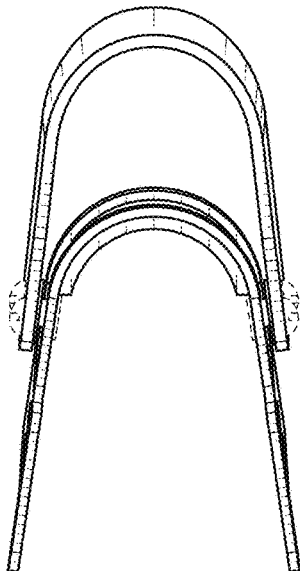


FIG. 4

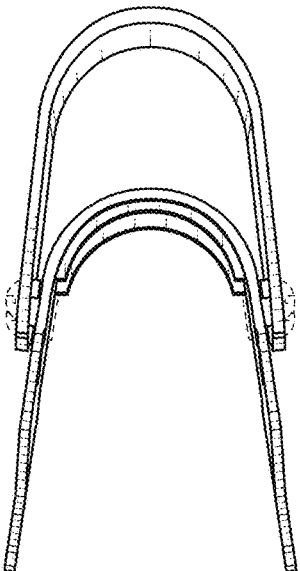


FIG. 5

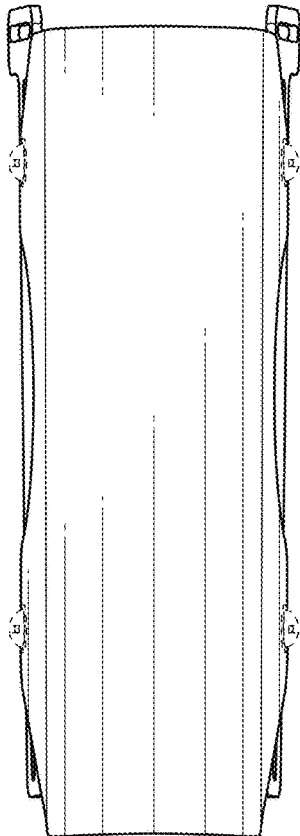


FIG. 6

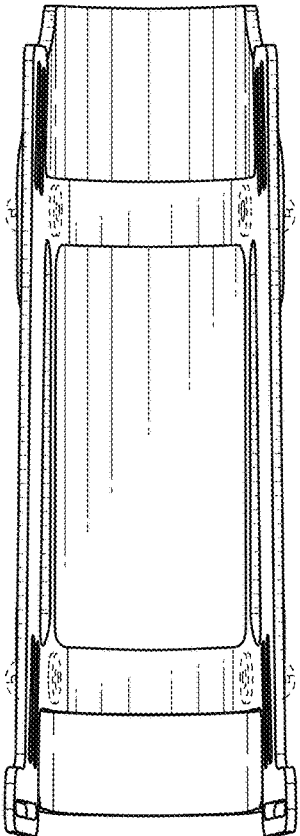


FIG. 7

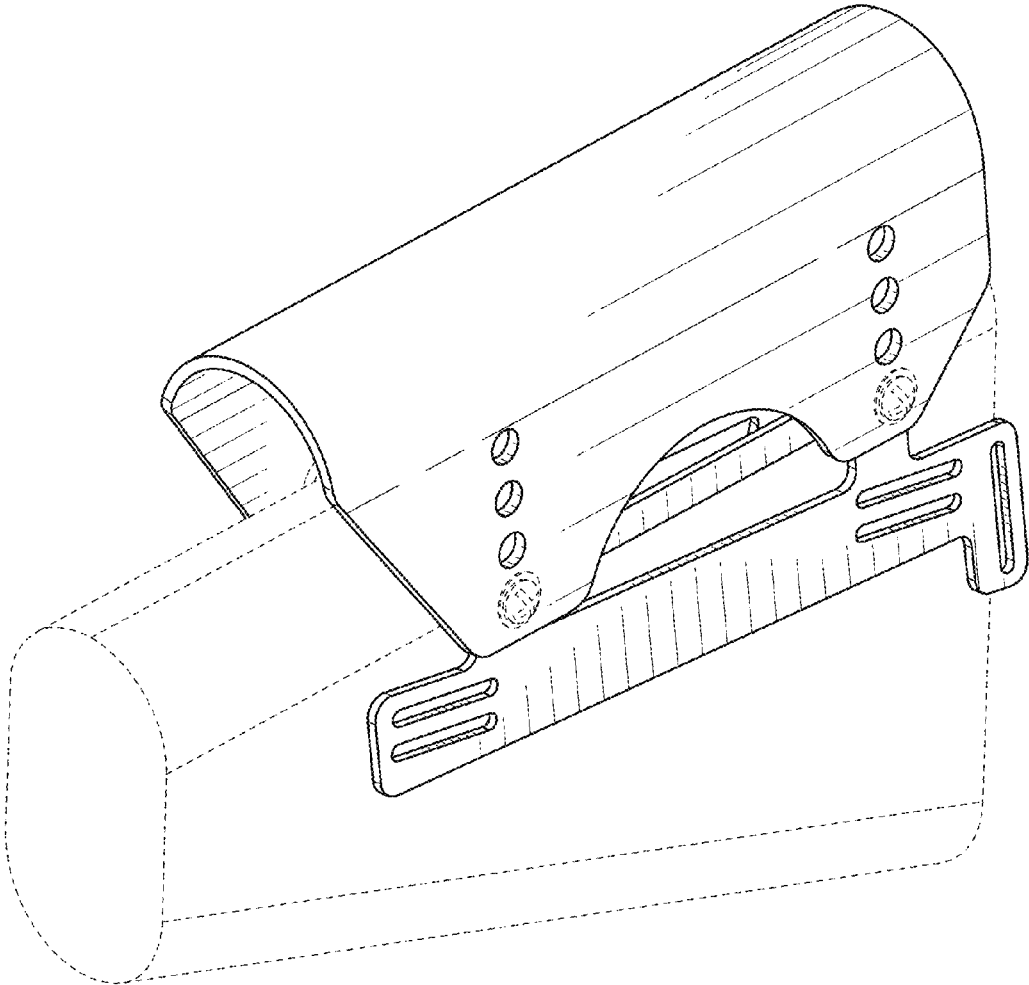


FIG. 8