



US00D337752S

United States Patent [19]

[11] Patent Number: Des. 337,752

Mathews

[45] Date of Patent: ** Jul. 27, 1993

[54] HIGH TORQUE, LOW RPM MOTOR/GENERATOR

[76] Inventor: Freddie Mathews, Rte. 1 Box 379, Hempstead, Tex. 77445

[**] Term: 14 Years

[21] Appl. No.: 882,106

[22] Filed: May 14, 1992

[52] U.S. Cl. D13/112

[58] Field of Search D13/112, 114; 310/49 R, 310/185; 74/421 A

[56] References Cited

U.S. PATENT DOCUMENTS

- D. 242,776 12/1976 Jakobsen D13/112 X
- D. 259,039 4/1981 Weldon et al. D13/114

Primary Examiner—Wallace R. Burke
Assistant Examiner—J. Sincavage
Attorney, Agent, or Firm—Terry M. Gernstein

[57] CLAIM

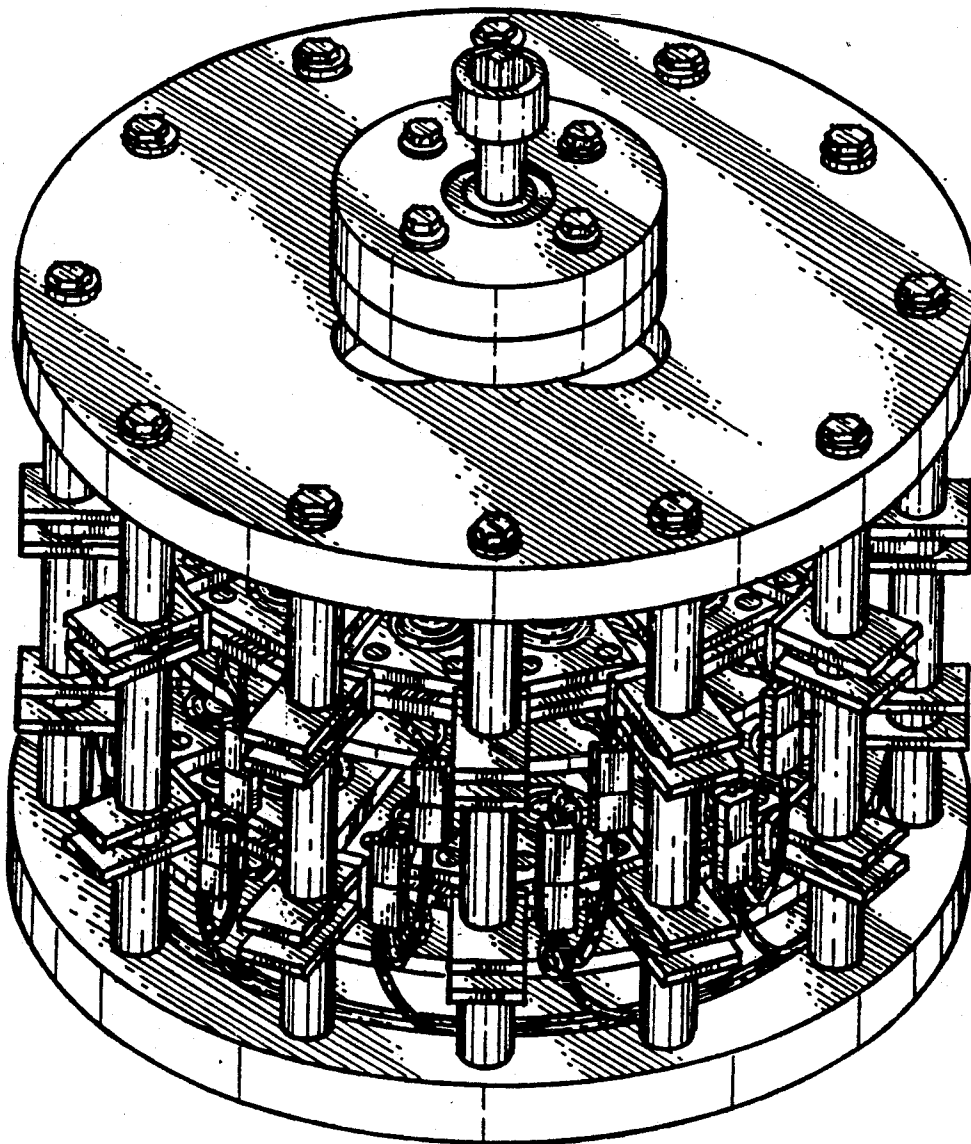
The ornamental design for a high torque, low rpm motor/generator, as shown and described.

DESCRIPTION

FIG. 1 is a perspective view of the high torque, low rpm motor/generator embodying the design of the present invention;

FIG. 2 is a typical elevational view thereof, all elevational views being identical to the view shown in FIG. 2;

FIG. 3 is a top plan view thereof; and,
FIG. 4 is a bottom view thereof.



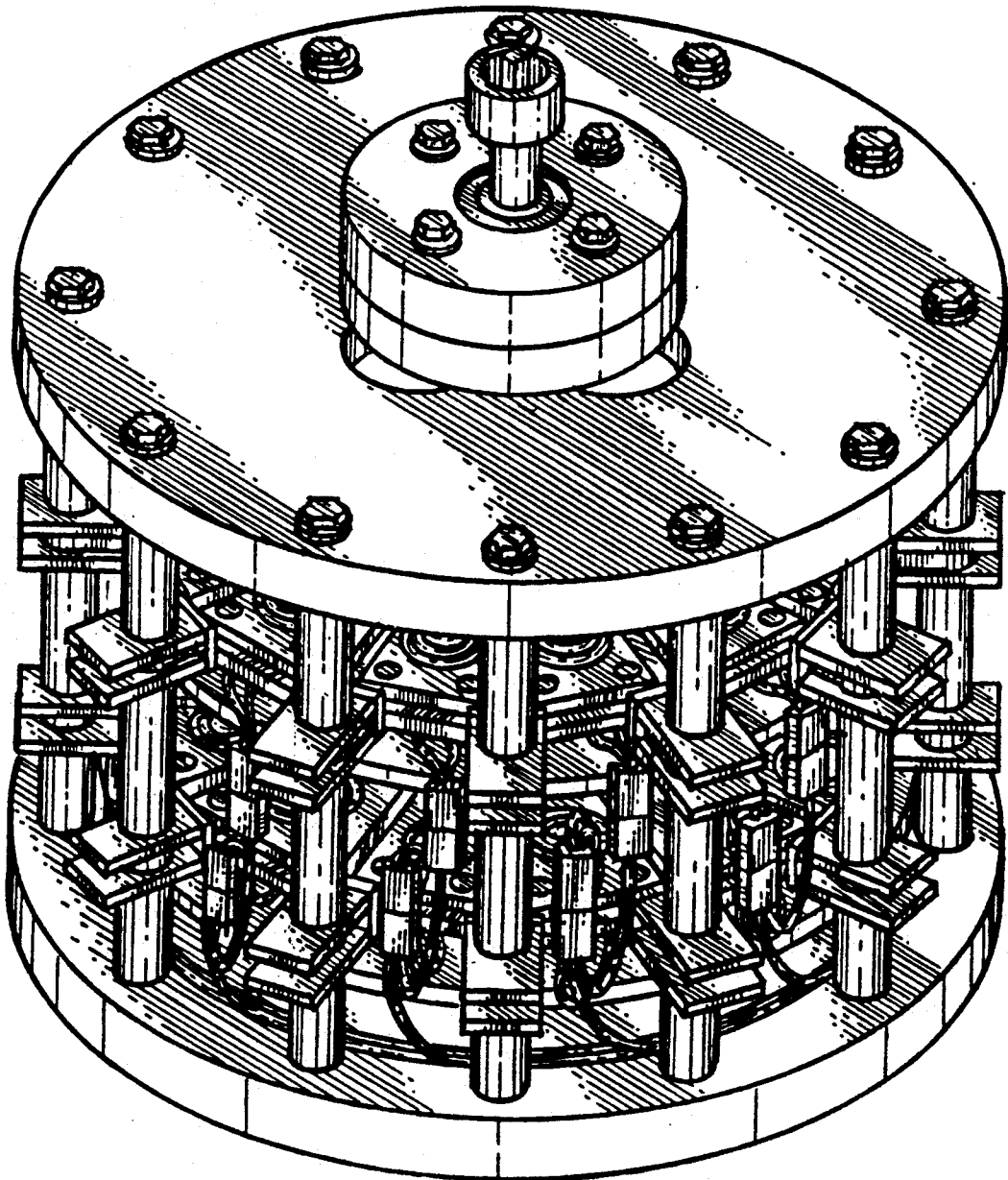


FIG. 1

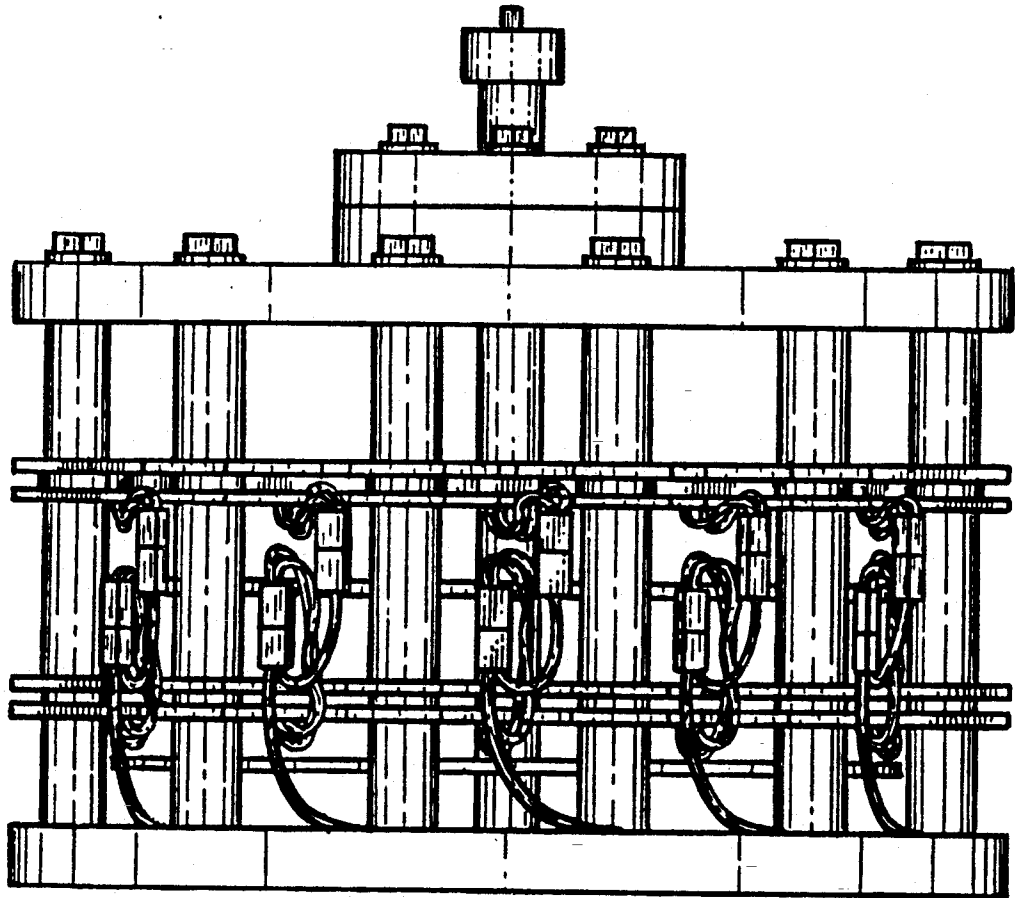


FIG. 2

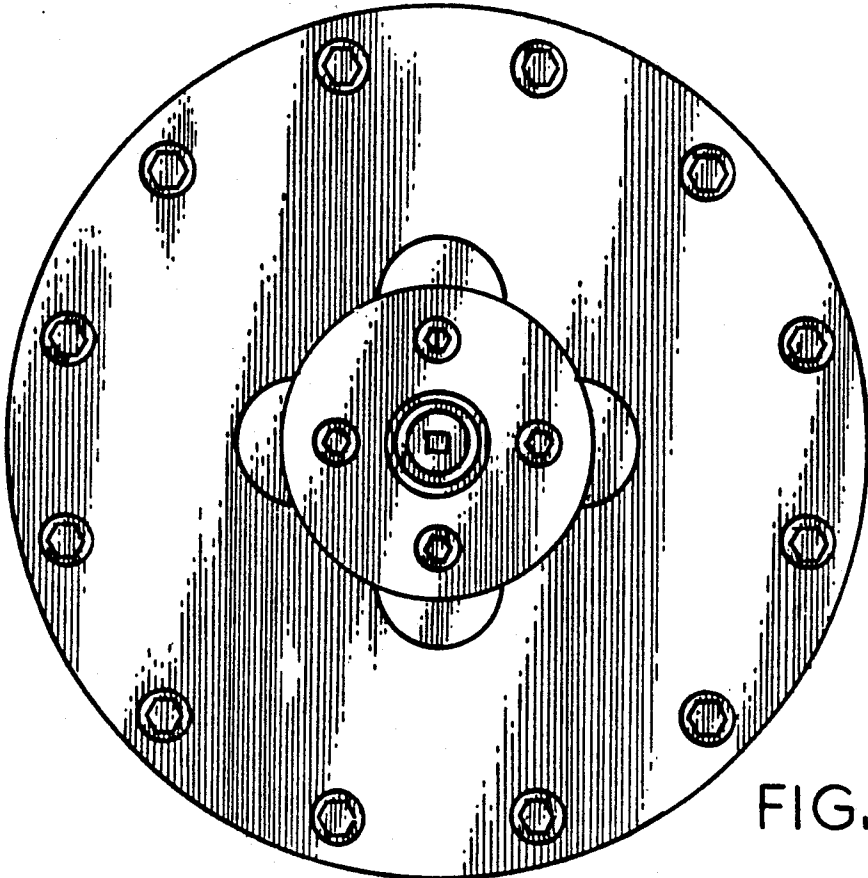


FIG. 3

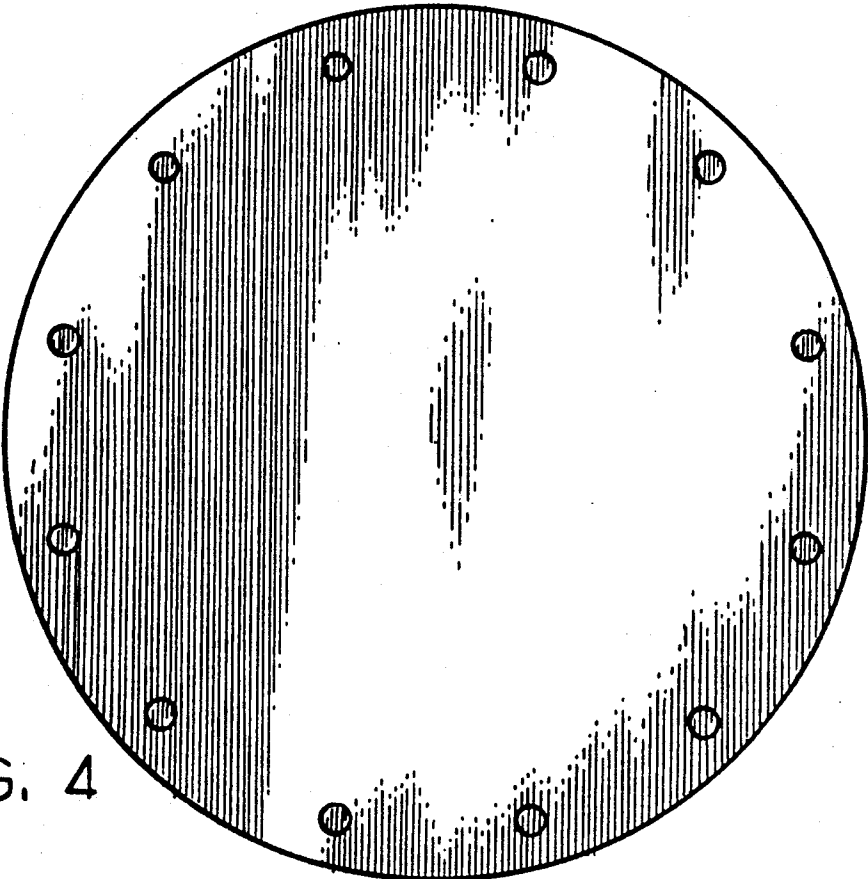


FIG. 4