



- (51) **International Patent Classification:**
B67D 1/08 (2006.01) *B67D 1/12* (2006.01)
- (21) **International Application Number:**
PCT/NL2013/050771
- (22) **International Filing Date:**
30 October 2013 (30.10.2013)
- (25) **Filing Language:** English
- (26) **Publication Language:** English
- (30) **Priority Data:**
2009732 30 October 2012 (30.10.2012) NL
- (71) **Applicant:** HEINEKEN SUPPLY CHAIN B.V. [NL/NL]; Tweede Weteringplantsoen 21, NL-1017 ZD Amsterdam (NL).
- (72) **Inventors:** PAAUWE, Arie, Maarten; c/o Tweede Weteringplantsoen 21, NL-1017 ZD Amsterdam (NL). BAX, Bart, Jan; c/o Tweede Weteringplantsoen 21, NL-1017 ZD Amsterdam (NL). BLOM, Harold, Marcel; c/o Tweede Weteringplantsoen 21, NL-1017 ZD Amsterdam (NL).
- (74) **Agent:** JANSEN, C., M.; V.O., Johan de Wittlaan 7, NL-2517 JR Den Haag (NL).
- (81) **Designated States** (*unless otherwise indicated, for every kind of national protection available*): AE, AG, AL, AM, AO, AT, AU, AZ, BA, BB, BG, BH, BN, BR, BW, BY,

BZ, CA, CH, CL, CN, CO, CR, CU, CZ, DE, DK, DM, DO, DZ, EC, EE, EG, ES, FI, GB, GD, GE, GH, GM, GT, HN, HR, HU, ID, IL, IN, IR, IS, JP, KE, KG, KN, KP, KR, KZ, LA, LC, LK, LR, LS, LT, LU, LY, MA, MD, ME, MG, MK, MN, MW, MX, MY, MZ, NA, NG, NI, NO, NZ, OM, PA, PE, PG, PH, PL, PT, QA, RO, RS, RU, RW, SA, SC, SD, SE, SG, SK, SL, SM, ST, SV, SY, TH, TJ, TM, TN, TR, TT, TZ, UA, UG, US, UZ, VC, VN, ZA, ZM, ZW.

- (84) **Designated States** (*unless otherwise indicated, for every kind of regional protection available*): ARIPO (BW, GH, GM, KE, LR, LS, MW, MZ, NA, RW, SD, SL, SZ, TZ, UG, ZM, ZW), Eurasian (AM, AZ, BY, KG, KZ, RU, TJ, TM), European (AL, AT, BE, BG, CH, CY, CZ, DE, DK, EE, ES, FI, FR, GB, GR, HR, HU, IE, IS, IT, LT, LU, LV, MC, MK, MT, NL, NO, PL, PT, RO, RS, SE, SI, SK, SM, TR), OAPI (BF, BJ, CF, CG, CI, CM, GA, GN, GQ, GW, KM, ML, MR, NE, SN, TD, TG).

Published:

- with international search report (Art. 21(3))
- before the expiration of the time limit for amending the claims and to be republished in the event of receipt of amendments (Rule 48.2(h))

- (88) **Date of publication of the international search report:**
4 September 2014

(54) **Title:** BEVERAGE CONTAINER AND VALVE FOR A BEVERAGE CONTAINER

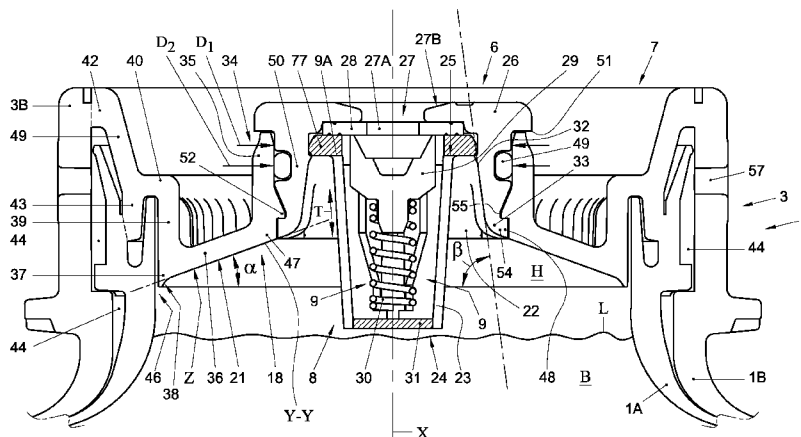


Fig. 3

(57) **Abstract:** Beverage container (1) and valve (6) for a beverage container. Beverage container (1), comprising a body (2) and a neck (3), wherein at the neck (3) a valve (6) is provided for dispensing a beverage comprising gas from the container (1), wherein an inner surface part (21) of the container (1) adjacent the valve (6), especially an inner surface part of the container within the neck between the body and an inlet side (8) of the valve (6) is smooth and sloping towards the inlet side of the valve, such that foam is prevented from being trapped at the inner surface of the neck (3).

WO 2014/070004 A3

INTERNATIONAL SEARCH REPORT

International application No
PCT/NL2013/050771

A. CLASSIFICATION OF SUBJECT MATTER
INV. B67D1/08 B67D1/12
ADD.
According to International Patent Classification (IPC) or to both national classification and IPC

B. FIELDS SEARCHED
Minimum documentation searched (classification system followed by classification symbols)
B67D

Documentation searched other than minimum documentation to the extent that such documents are included in the fields searched

Electronic data base consulted during the international search (name of data base and, where practicable, search terms used)
EPO-Internal, WPI Data

C. DOCUMENTS CONSIDERED TO BE RELEVANT

Category*	Citation of document, with indication, where appropriate, of the relevant passages	Relevant to claim No.
A	DE 10 34 053 B (EBERHARD SEMBACH DR) 10 July 1958 (1958-07-10) column 4, line 65 - column 5, line 23; figure 4	1
X	----- US 5 975 489 A (DECLER C PETER [US] ET AL) 2 November 1999 (1999-11-02)	16,18
Y	column 3, line 26 - column 5, line 33 column 6, line 38 - line 46 column 8, line 47 - column 9, line 25 figures 1, 2, 5, 6 column 1, line 12 - line 18	17,19,20
X	----- GB 2 479 467 A (PETAINER LIDKOEPING AB [SE] PETAINER LIDKA PING AB [SE]) 12 October 2011 (2011-10-12) page 7, line 13 - page 8, line 34 figures 1, 2	16
	----- -/--	

Further documents are listed in the continuation of Box C.

See patent family annex.

* Special categories of cited documents :

- "A" document defining the general state of the art which is not considered to be of particular relevance
- "E" earlier application or patent but published on or after the international filing date
- "L" document which may throw doubts on priority claim(s) or which is cited to establish the publication date of another citation or other special reason (as specified)
- "O" document referring to an oral disclosure, use, exhibition or other means
- "P" document published prior to the international filing date but later than the priority date claimed

- "T" later document published after the international filing date or priority date and not in conflict with the application but cited to understand the principle or theory underlying the invention
- "X" document of particular relevance; the claimed invention cannot be considered novel or cannot be considered to involve an inventive step when the document is taken alone
- "Y" document of particular relevance; the claimed invention cannot be considered to involve an inventive step when the document is combined with one or more other such documents, such combination being obvious to a person skilled in the art
- "&" document member of the same patent family

Date of the actual completion of the international search
30 June 2014

Date of mailing of the international search report
11/07/2014

Name and mailing address of the ISA/
European Patent Office, P.B. 5818 Patentlaan 2
NL - 2280 HV Rijswijk
Tel. (+31-70) 340-2040,
Fax: (+31-70) 340-3016

Authorized officer
Schultz, Tom

INTERNATIONAL SEARCH REPORT

International application No
PCT/NL2013/050771

C(Continuation). DOCUMENTS CONSIDERED TO BE RELEVANT		
Category*	Citation of document, with indication, where appropriate, of the relevant passages	Relevant to claim No.
X	WO 97/26210 A2 (JOHNSON & SON INC S C [US]) 24 July 1997 (1997-07-24)	16
Y	page 8, line 5 - line 22	22
Y	page 10, line 1 - page 12, line 24	
	figures 3a, 3b, 4a, 17a, 17b	

Y	WO 95/21101 A1 (COCA COLA CO [US])	17
	10 August 1995 (1995-08-10)	
A	page 2, line 15 - page 3, line 23	1
	figures 2, 4	

Y	GB 2 283 967 A (CRUZ LUIS CONESA DE [ES])	19
	24 May 1995 (1995-05-24)	
	page 2, line 8 - line 11	
	page 4, line 7 - line 12	
	page 5, line 3 - line 24	
	figures 1, 2	

Y	EP 0 056 295 A1 (ALUMASC LTD [GB])	20
	21 July 1982 (1982-07-21)	
	page 3, paragraph 3; claim 1; figure 3	

Y	WO 2011/002295 A1 (HEINEKEN SUPPLY CHAIN BV [NL]; WOLTERS WOLTER [NL])	22
	6 January 2011 (2011-01-06)	
	page 10, line 20 - line 27; figures 4a, 7a	

A	US 5 431 205 A (GEBHARD ALBERT W [US])	1
	11 July 1995 (1995-07-11)	
	column 5, line 50 - column 6, line 54;	
	figures 3, 4	

A	EP 0 013 565 A1 (ARA WERK KRAEMER GMBH & CO [DE]) 23 July 1980 (1980-07-23)	1
	figure 3	
	page 6, paragraph 3	

INTERNATIONAL SEARCH REPORT

International application No.
PCT/NL2013/050771

Box No. II Observations where certain claims were found unsearchable (Continuation of item 2 of first sheet)

This international search report has not been established in respect of certain claims under Article 17(2)(a) for the following reasons:

1. Claims Nos.:
because they relate to subject matter not required to be searched by this Authority, namely:

2. Claims Nos.:
because they relate to parts of the international application that do not comply with the prescribed requirements to such an extent that no meaningful international search can be carried out, specifically:

3. Claims Nos.:
because they are dependent claims and are not drafted in accordance with the second and third sentences of Rule 6.4(a).

Box No. III Observations where unity of invention is lacking (Continuation of item 3 of first sheet)

This International Searching Authority found multiple inventions in this international application, as follows:

see additional sheet

1. As all required additional search fees were timely paid by the applicant, this international search report covers all searchable claims.

2. As all searchable claims could be searched without effort justifying an additional fees, this Authority did not invite payment of additional fees.

3. As only some of the required additional search fees were timely paid by the applicant, this international search report covers only those claims for which fees were paid, specifically claims Nos.:

4. No required additional search fees were timely paid by the applicant. Consequently, this international search report is restricted to the invention first mentioned in the claims; it is covered by claims Nos.:

Remark on Protest

- The additional search fees were accompanied by the applicant's protest and, where applicable, the payment of a protest fee.
- The additional search fees were accompanied by the applicant's protest but the applicable protest fee was not paid within the time limit specified in the invitation.
- No protest accompanied the payment of additional search fees.

FURTHER INFORMATION CONTINUED FROM PCT/ISA/ 210

This International Searching Authority found multiple (groups of) inventions in this international application, as follows:

1. claims: 1-15

Beverage container with an inner surface being smooth and sloping in the direction of the inlet side of the valve.

2. claims: 16-22

Valve comprising a base element and a snap ring or snap fingers or method for closing a beverage container wherein a valve is mounted by a snap fit connection in the opening of a mounting ring and the mounting ring is mounted on the neck of a container.

INTERNATIONAL SEARCH REPORT

Information on patent family members

International application No

PCT/NL2013/050771

Patent document cited in search report	Publication date	Patent family member(s)	Publication date
DE 1034053	B	10-07-1958	NONE
US 5975489	A	02-11-1999	NONE
GB 2479467	A	12-10-2011	CN 102971247 A 13-03-2013 EP 2558405 A1 20-02-2013 GB 2479467 A 12-10-2011 JP 2013523550 A 17-06-2013 RU 2012147697 A 20-05-2014 US 2013092689 A1 18-04-2013 WO 2011124724 A1 13-10-2011
WO 9726210	A2	24-07-1997	AT 263116 T 15-04-2004 AU 724874 B2 05-10-2000 CA 2230014 A1 24-07-1997 CA 2330258 A1 24-07-1997 CO 4650197 A1 03-09-1998 DE 69728434 D1 06-05-2004 DE 69728434 T2 12-08-2004 EP 0961755 A1 08-12-1999 ES 2214606 T3 16-09-2004 ID 16602 A 23-10-1997 MY 129472 A 30-04-2007 NZ 329400 A 26-05-2000 NZ 501369 A 29-09-2000 NZ 501370 A 27-10-2000 TW 380116 B 21-01-2000 TW 380117 B 21-01-2000 US 5862948 A 26-01-1999 US 5954240 A 21-09-1999 US 6129125 A 10-10-2000 WO 9726210 A2 24-07-1997
WO 9521101	A1	10-08-1995	AU 689554 B2 02-04-1998 AU 1869795 A 21-08-1995 BR 9506435 A 02-09-1997 CA 2179388 A1 10-08-1995 DE 69503033 D1 23-07-1998 DE 69503033 T2 14-01-1999 EP 0739295 A1 30-10-1996 ES 2117410 T3 01-08-1998 NZ 281770 A 19-12-1997 US 5445186 A 29-08-1995 WO 9521101 A1 10-08-1995
GB 2283967	A	24-05-1995	NONE
EP 0056295	A1	21-07-1982	DE 3261079 D1 06-12-1984 EP 0056295 A1 21-07-1982 ES 262435 U 01-07-1982
WO 2011002295	A1	06-01-2011	AR 077634 A1 14-09-2011 AU 2010266856 A1 02-02-2012 CA 2767155 A1 06-01-2011 CN 102548891 A 04-07-2012 EA 201270132 A1 30-08-2012 EP 2448858 A1 09-05-2012 JP 2012532074 A 13-12-2012

INTERNATIONAL SEARCH REPORT

Information on patent family members

International application No

PCT/NL2013/050771

Patent document cited in search report	Publication date	Patent family member(s)	Publication date
		TW 201105567 A	16-02-2011
		US 2012138161 A1	07-06-2012
		WO 2011002295 A1	06-01-2011
US 5431205	A	11-07-1995	NONE
EP 0013565	A1	23-07-1980	DE 7900441 U1 26-04-1979
		EP 0013565 A1	23-07-1980