



US00D855281S

(12) **United States Design Patent**
Nemec

(10) **Patent No.:** **US D855,281 S**

(45) **Date of Patent:** **** Aug. 6, 2019**

- (54) **SUSPENDER CLIP**
- (71) Applicant: **John Nemec**, Alamo, CA (US)
- (72) Inventor: **John Nemec**, Alamo, CA (US)
- (**) Term: **15 Years**
- (21) Appl. No.: **29/586,530**
- (22) Filed: **Dec. 5, 2016**
- (51) **LOC (12) Cl.** **02-07**
- (52) **U.S. Cl.**
USPC **D2/626; D8/395**
- (58) **Field of Classification Search**
USPC D2/624-629, 631, 633-640, 706, 728,
D2/851, 852, 853, 859, 860, 891;
D11/200, 201, 212, 215, 216, 218, 220,
D11/222, 231, 234, 78.1; D24/190;
D29/101.5, 101.1; D30/152; D3/224,
D3/226; D8/383, 395
CPC A41F 1/008; A41F 11/00; A41F 11/02;
A41F 11/06; A41F 11/08; A41F 11/18;
A41F 17/02; A41F 17/04; A41F 3/02;
A41F 5/00; A41F 7/00; A41F 9/00; A41F
9/002; A41F 9/007; A41F 9/02; A41F
9/025; A41F 11/12; A41F 11/14; A41F
11/16; A41F 18/00; A41F 19/00; A41F
19/005; A41F 3/00; A62B 35/0006; A62B
35/00; A63B 29/02; B60R 2022/006;
B60R 2022/008; B60R 22/00; B60R
22/10; A44B 99/00; A45F 2003/144
See application file for complete search history.

- 4,463,482 A * 8/1984 Hawie A41F 3/02
24/489
- 5,052,055 A * 10/1991 Mysliwiec A41D 13/04
2/338
- 5,177,813 A * 1/1993 Bosack A41F 3/02
2/323
- 5,913,478 A * 6/1999 Ochsman A41F 11/06
24/541
- 5,933,922 A * 8/1999 Ochsman A45F 5/02
24/3.11
- D463,325 S * 9/2002 Savoia D11/200
(Continued)

OTHER PUBLICATIONS

Suspender Clip Hardware by Strapworks <<https://www.strapworks.com/ProductDetails.asp>> Accessed on Oct. 19, 2017.*

(Continued)

Primary Examiner — Kevin K Rudzinski
Assistant Examiner — Clare Ann Gannon
(74) *Attorney, Agent, or Firm* — James R. Cypher;
Charles R. Cypher

(57) **CLAIM**

The ornamental design for a suspender clip, as shown and described.

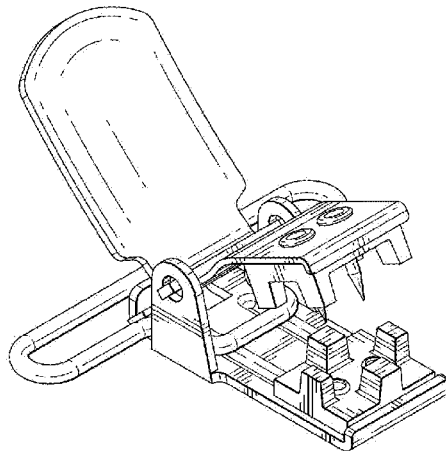
DESCRIPTION

FIG. 1 is an isometric view of a suspender clip, shown in an open position.
FIG. 2 is a front elevation view of the suspender clip.
FIG. 3 is a rear elevation view of the suspender clip.
FIG. 4 is a right side elevation view of the suspender clip.
FIG. 5 is a left side elevation view of the suspender clip.
FIG. 6 is a top plan view of the suspender clip.
FIG. 7 is a bottom plan view of the suspender clip; and,
FIG. 8 is an isometric view of the suspender clip, shown in a closed position.

1 Claim, 2 Drawing Sheets

(56) **References Cited**
U.S. PATENT DOCUMENTS

- D117,747 S * 11/1939 Freysinger 24/489
- D149,976 S * 6/1948 Sanford D17/20
- 4,115,906 A * 9/1978 Lavine A41F 17/04
2/233



(56)

References Cited

U.S. PATENT DOCUMENTS

6,666,426	B1 *	12/2003	Taylor	A47C 21/026	248/506
D521,411	S *	5/2006	Moeller	D11/216	
D614,946	S *	5/2010	Herman	D8/395	
D617,561	S *	6/2010	Salerno-Tortora	D3/318	
D661,461	S *	6/2012	Murray	D2/627	
D690,539	S *	10/2013	Grill	D6/607	
D692,638	S *	11/2013	Herman	D2/626	
D708,095	S *	7/2014	Whitworth	D11/200	
9,049,895	B1 *	6/2015	Wesol	A41F 11/18	
9,163,697	B2 *	10/2015	Whaley	A47C 21/022	
D746,542	S *	1/2016	Gilroy	A45F 5/02	D2/626
D761,042	S *	7/2016	Whaley	D6/607	
D774,379	S *	12/2016	Mudge	D8/349	
D799,859	S *	10/2017	Whaley	D6/607	
2004/0168286	A1 *	9/2004	Herman	A41F 3/02	24/513
2009/0083899	A1 *	4/2009	Herman	A41F 17/04	2/323
2011/0083253	A1 *	4/2011	Pankow	A41F 17/04	2/323
2012/0005867	A1 *	1/2012	Whaley	A47C 21/022	24/302
2013/0198939	A1 *	8/2013	Herman	A41F 19/00	2/327
2015/0082581	A1 *	3/2015	Thomas	A41F 3/02	24/344
2015/0327685	A1 *	11/2015	Longnecker	A47C 21/022	5/498
2016/0295943	A1 *	10/2016	Gilroy	A41F 3/02	

OTHER PUBLICATIONS

Suspender Clip by Super-I <<https://www.super-i.com.tw/suspender-clip.html>> Accessed on Apr. 20, 2019.*

* cited by examiner

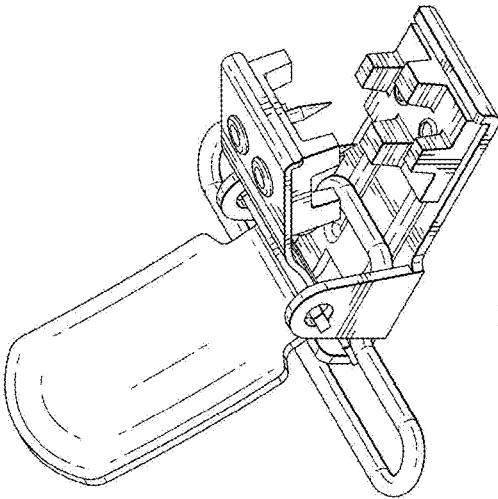


FIG. 1

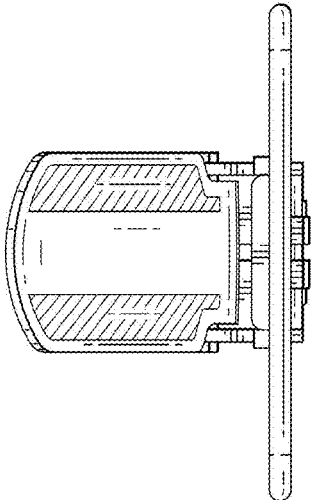


FIG. 3

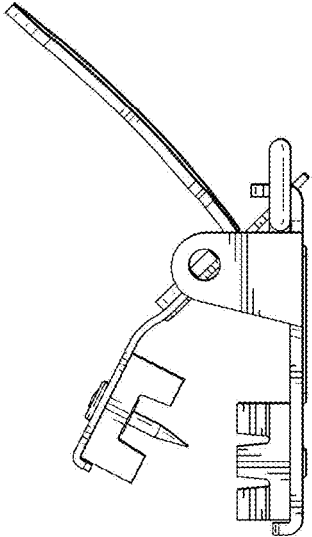


FIG. 4

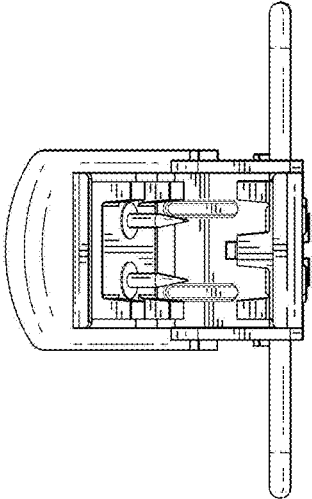


FIG. 2

