



US00D968149S

(12) **United States Design Patent**
Brook et al.

(10) **Patent No.:** **US D968,149 S**
(45) **Date of Patent:** **** Nov. 1, 2022**

(54) **JUG**
(71) Applicant: **Sunbeam Products, Inc.**, Boca Raton, FL (US)

D777,500 S * 1/2017 Lee D7/319
D796,247 S * 9/2017 Bazzicalupo D7/322
D818,756 S * 5/2018 Averty D7/319
(Continued)

(72) Inventors: **Nick Brook**, Sale (GB); **Noel Disbury**, Manchester (GB); **Stewart Gordon**, Cheadle (GB); **Mark Skinner**, Manchester (GB)

FOREIGN PATENT DOCUMENTS

CN 304885287 * 11/2018
CN 305411482 * 11/2019
(Continued)

(73) Assignee: **Sunbeam Products, Inc.**, Boca Raton, FL (US)

OTHER PUBLICATIONS

(**) Term: **15 Years**

Ogden, Rachel, "12 of the best kettles—how to pick between Bosch, DeLonghi and more," Aug. 28, 2019, Inews.co.uk, <https://inews.co.uk/ibuy/home-and-garden/best-kettles-electric-uk-reviews-variable-temperature-224519> (Year: 2019).*

(21) Appl. No.: **29/726,925**

(Continued)

(22) Filed: **Mar. 6, 2020**

(51) **LOC (13) Cl.** **07-01**

Primary Examiner — Joseph Kukella

(52) **U.S. Cl.**

Assistant Examiner — Arva P Adams

USPC **D7/319**; D7/317

(74) *Attorney, Agent, or Firm* — Husch Blackwell LLP

(58) **Field of Classification Search**

(57)

CLAIM

USPC D3/202; D7/300, 302, 305, 312, D7/316–319, 321–322, 376–378, 392, D7/392.1, 394, 396.2, 396.6, 413, 415, D7/511, 534, 548, 608, 619.1, 622, 629; D9/443; D10/46.2

The ornamental design for a jug, as shown and described.

CPC A47J 27/21041; A47J 27/2105; A47J 27/21083; A47J 27/21175; A47J 27/212; A47J 2202/00; A47J 2203/00

DESCRIPTION

See application file for complete search history.

FIG. 1 is a perspective view of a jug showing the new design;

FIG. 2 is a front elevation view of the jug of FIG. 1; FIG. 3 is a left side elevation view of the jug shown in FIG. 1, the right side view being a mirror image thereof; FIG. 4 is a rear elevation view of the jug shown in FIG. 1; FIG. 5 is a top plan view of the jug shown in FIG. 1; FIG. 6 is a bottom plan view of the jug shown in FIG. 1; and, FIG. 7 is a perspective view of the jug shown in FIG. 1 exploded from its base.

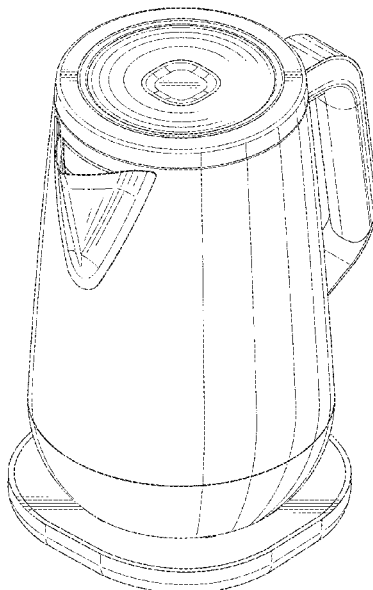
The broken lines in the figures illustrate unclaimed environment and form no part of the claimed design.

(56) **References Cited**

U.S. PATENT DOCUMENTS

D239,687 S * 4/1976 Breger D7/317
D442,014 S * 5/2001 Haring D7/319
D718,974 S * 12/2014 De'Longhi D7/321
D726,485 S * 4/2015 Mullen D7/319
D726,486 S * 4/2015 Averty D7/319

1 Claim, 7 Drawing Sheets



(56)

References Cited

U.S. PATENT DOCUMENTS

D834,363 S * 11/2018 Dash H05B 1/0269
D7/319
D864,648 S * 10/2019 Josancy D7/319
D868,524 S * 12/2019 Miller A47J 27/21175
D7/316
2010/0270284 A1* 10/2010 Cohen A47J 27/21175
219/507
2011/0259871 A1* 10/2011 Li H05B 1/0269
219/441

FOREIGN PATENT DOCUMENTS

CN 306601355 * 6/2021
KR 301035146.0000 * 12/2019

OTHER PUBLICATIONS

Sunbeam Australia and New Zealand, "The Kyoto City Collection
Kettles and Toasters." Mar. 7, 2022, YouTube, [www.youtube.com/
watch?v=w4C3aBFrHp8&t=1s](http://www.youtube.com/watch?v=w4C3aBFrHp8&t=1s) (Year: 2022).*

* cited by examiner

FIG. 1

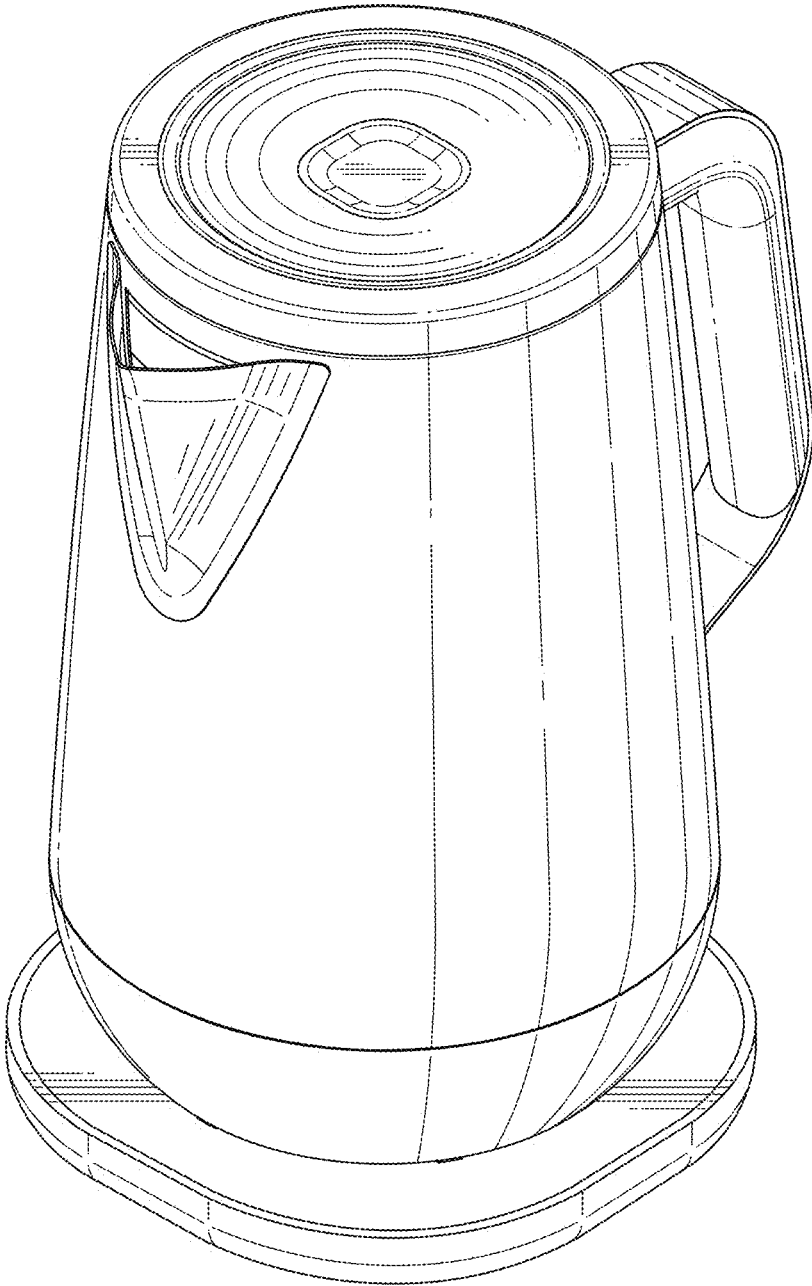


FIG. 2

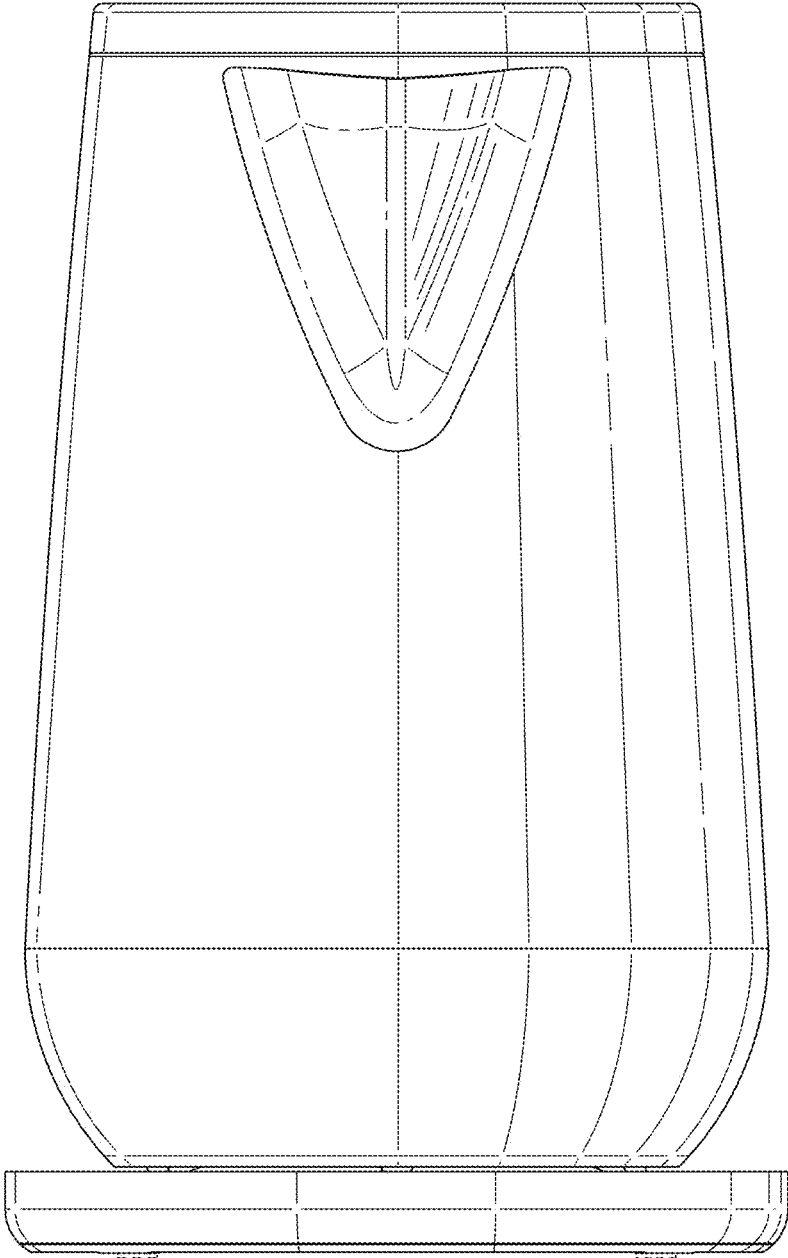


FIG. 3

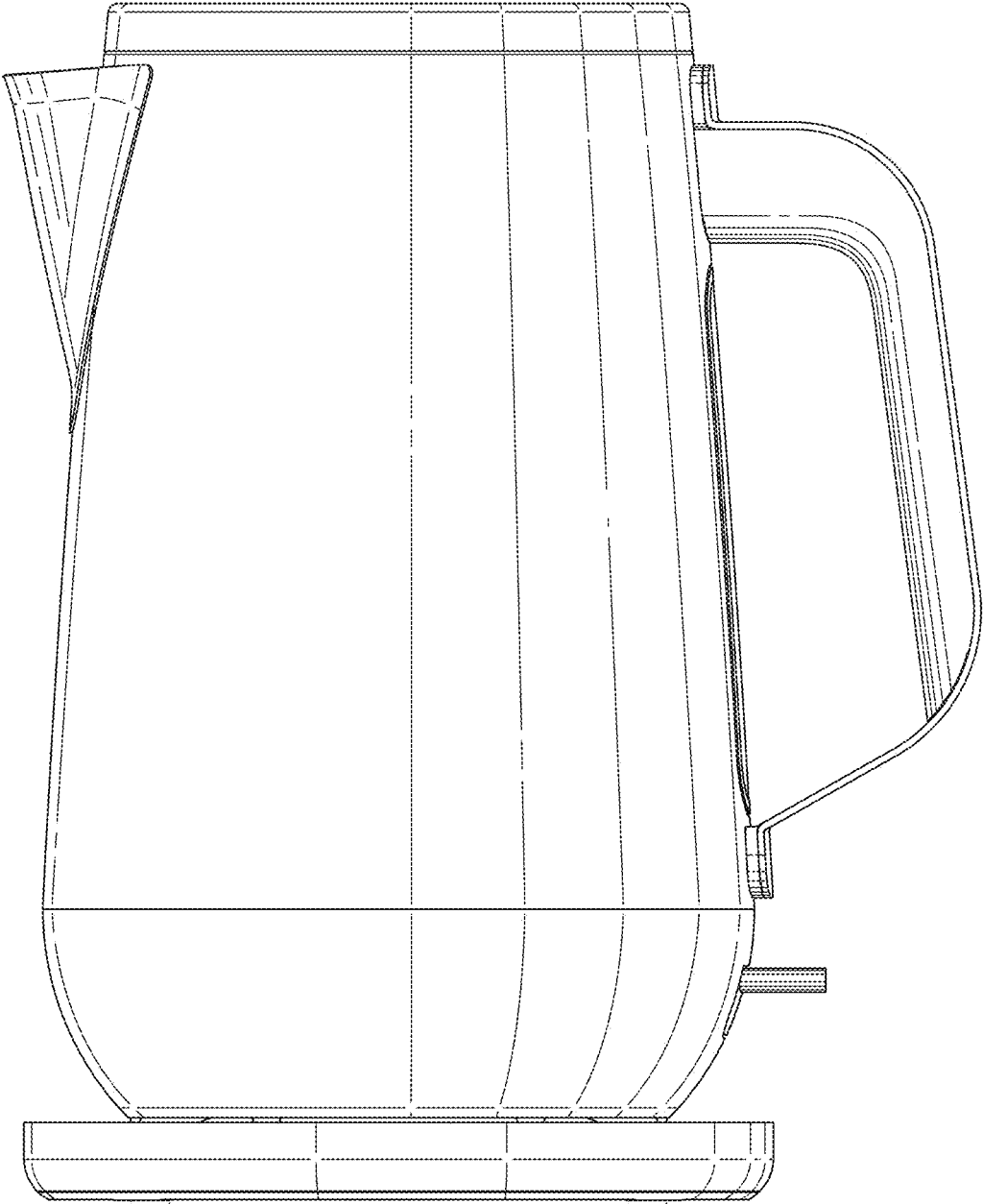


FIG. 4

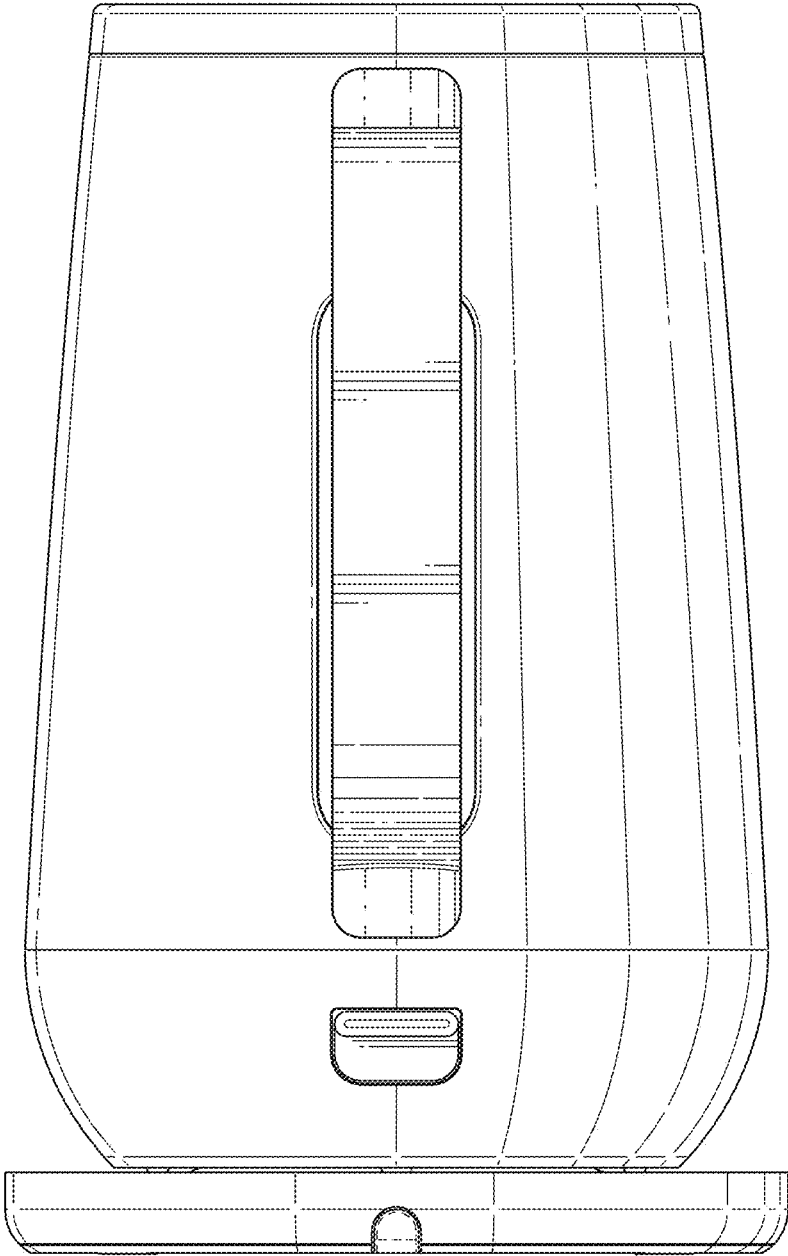


FIG. 5

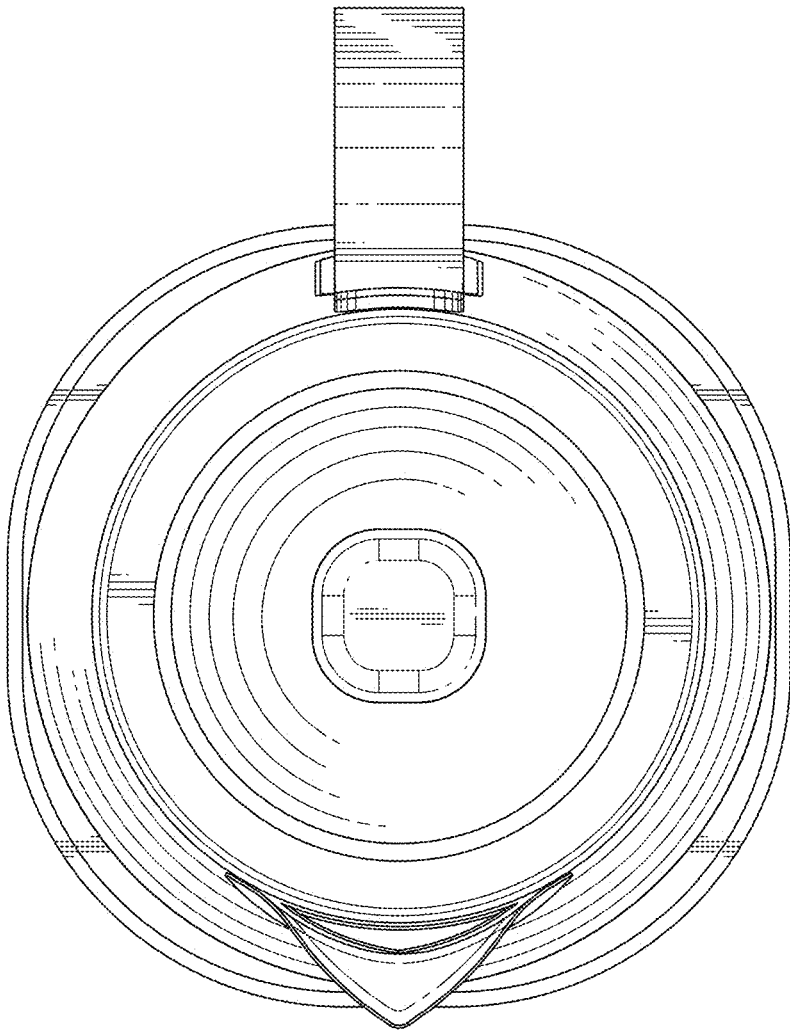


FIG. 6

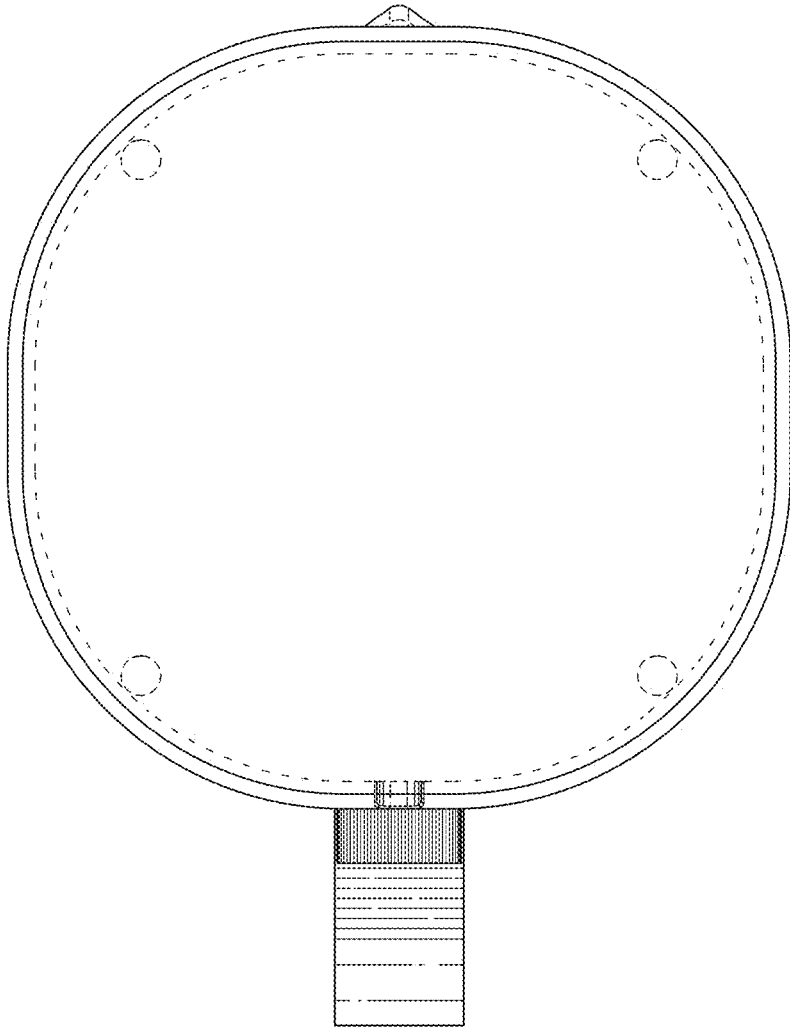


FIG. 7

