



US00D769372S

(12) **United States Design Patent**
White

(10) **Patent No.:** **US D769,372 S**

(45) **Date of Patent:** **** Oct. 18, 2016**

- (54) **UNDER SHELF SIGN HOLDER**
- (71) Applicant: **Michael J. White**, Ripon, WI (US)
- (72) Inventor: **Michael J. White**, Ripon, WI (US)
- (73) Assignee: **K-International, Inc.**, Ripon, WI (US)

6,357,711 B1 *	3/2002	Heyderman	G09F 7/22
				248/223.41
7,258,315 B2 *	8/2007	Wamsley	G09F 7/18
				248/216.1
D618,282 S *	6/2010	Kosir	D20/43
D657,822 S *	4/2012	Bird	D20/43
D659,196 S *	5/2012	Walker	D20/43

(**) Term: **14 Years**

* cited by examiner

Primary Examiner — Mary Ann Calabrese
(74) *Attorney, Agent, or Firm* — Schiff Hardin LLP

(21) Appl. No.: **29/521,199**

(57) **CLAIM**

(22) Filed: **Mar. 20, 2015**

The ornamental design of an under shelf sign holder, as shown and described.

(51) **LOC (10) Cl.** **20-03**

(52) **U.S. Cl.**
USPC **D20/43**

DESCRIPTION

(58) **Field of Classification Search**
USPC D20/10, 42-44, 99
CPC G09F 1/10; G09F 1/103; G09F 1/12;
G09F 1/14; G09F 2001/106; G09F 3/18;
G09F 3/185; G09F 3/20; G09F 3/201;
G09F 3/202; G09F 3/204; G09F 7/10;
G09F 7/18; A47G 29/083; A47F 5/0869
See application file for complete search history.

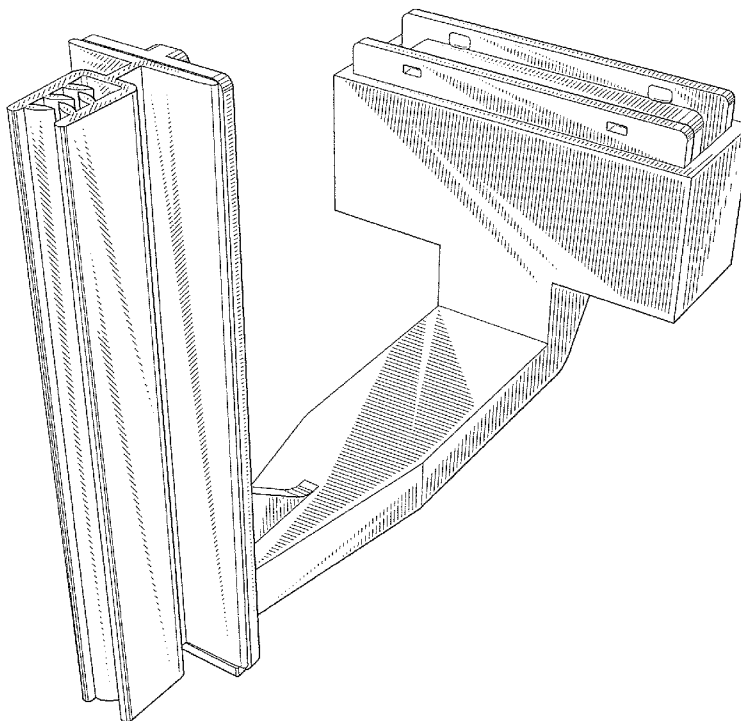
FIG. 1 is a perspective view taken from the front, top, right side of the under shelf sign holder showing my new design; FIG. 2 is a front elevational view of the under shelf sign holder of FIG. 1; FIG. 3 is a back elevational view of the under shelf sign holder of FIG. 1; and FIG. 4 is a right side elevational view of the under shelf sign holder of FIG. 1, the left side elevational view being a mirror image thereof but otherwise identical; FIG. 5 is a top plan view of the under shelf sign holder of FIG. 1; and, FIG. 6 is a bottom plan view of the under shelf sign holder of FIG. 1. The broken lines show features of the under shelf sign holder that form no part of the claimed design.

(56) **References Cited**

U.S. PATENT DOCUMENTS

4,987,692 A *	1/1991	Fast	A47F 5/0869
				40/642.01
D424,121 S *	5/2000	Kump	D20/43
D454,593 S *	3/2002	Kosir	D20/44
D454,918 S *	3/2002	Wamsley	D20/43

1 Claim, 4 Drawing Sheets



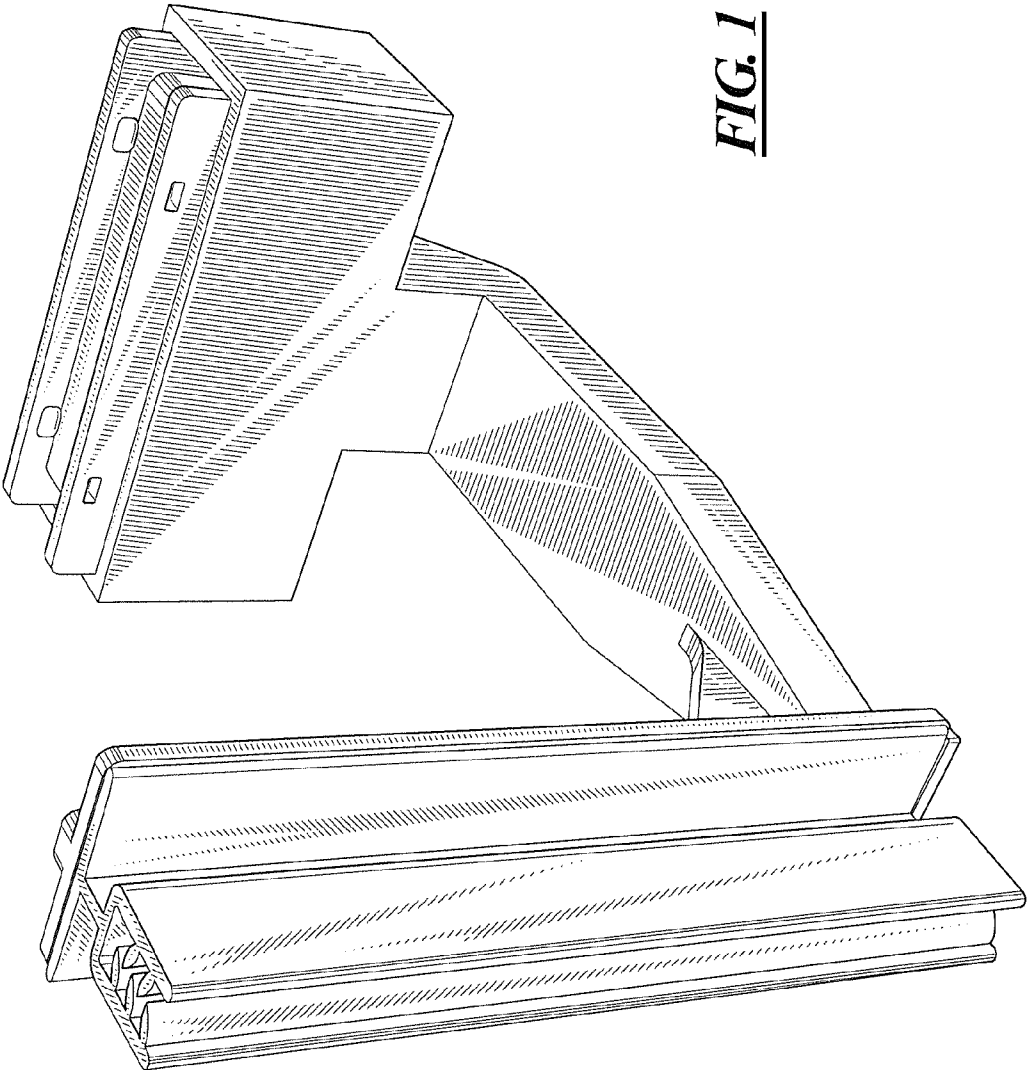


FIG. 1

FIG. 3

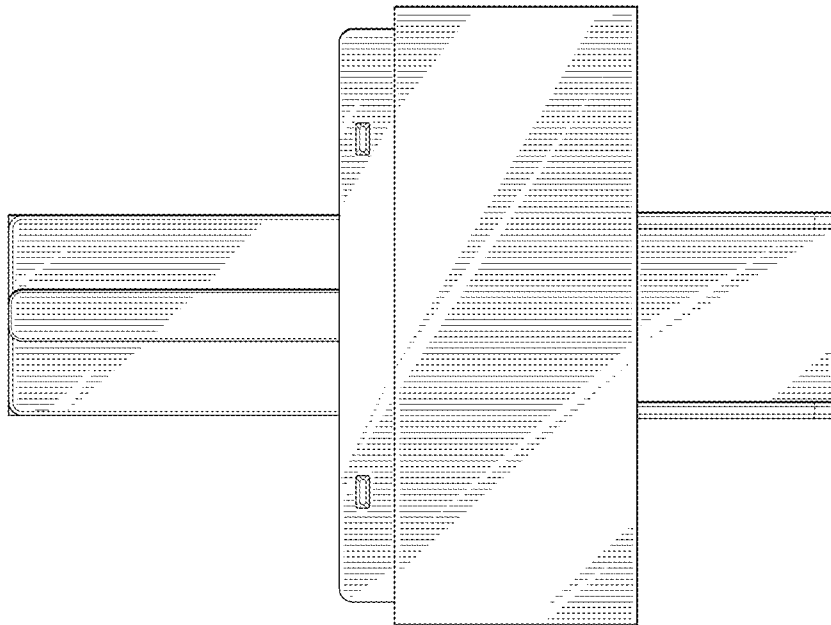


FIG. 2

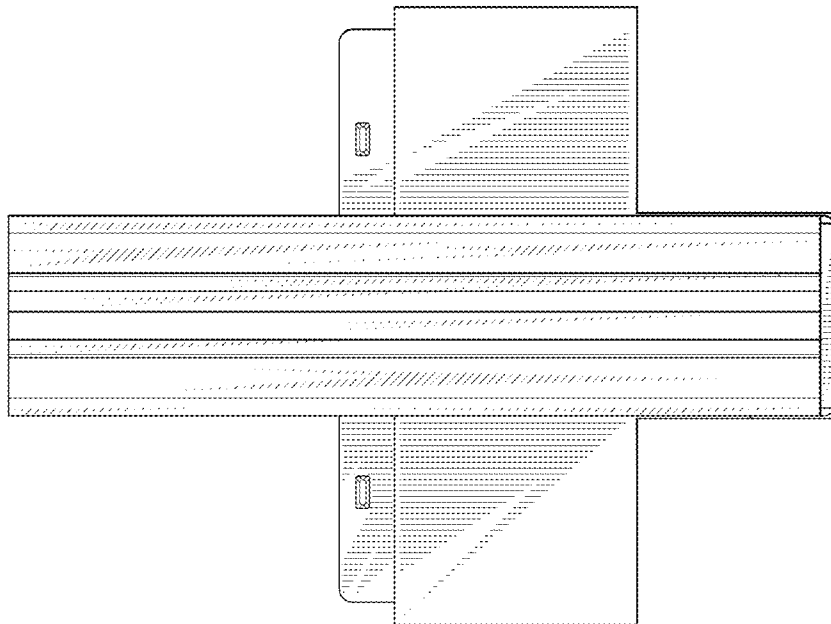
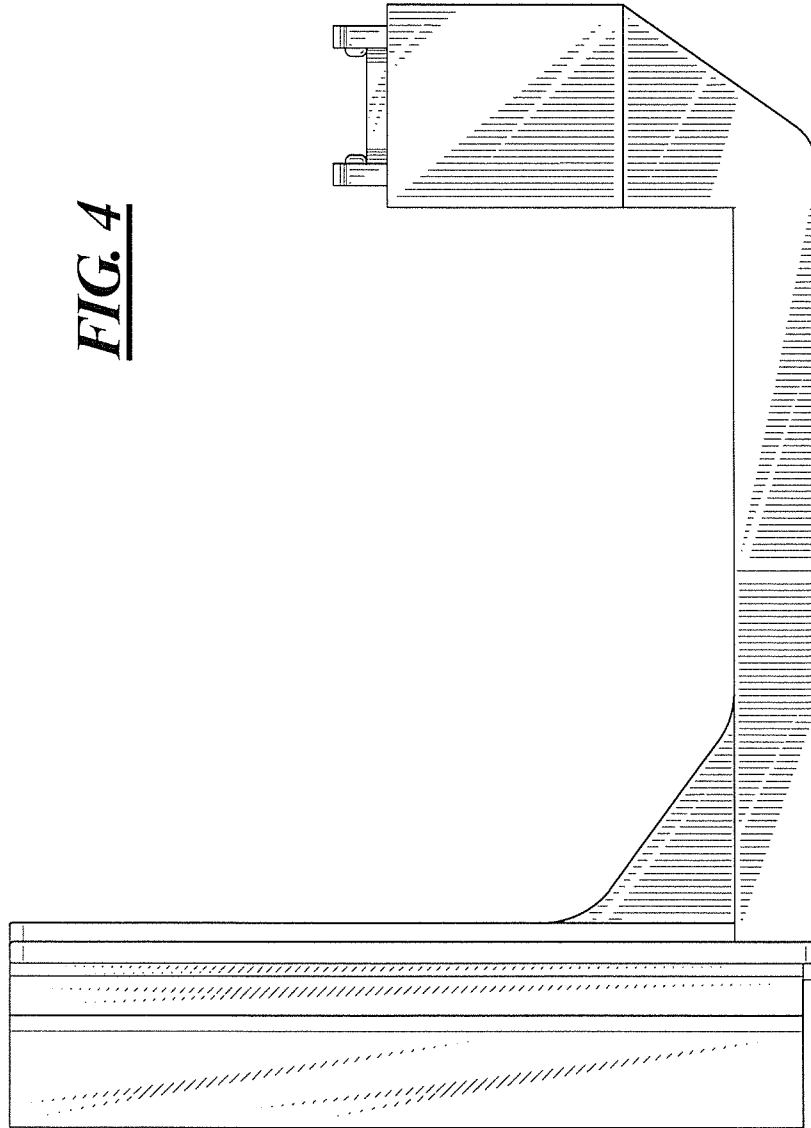


FIG. 4



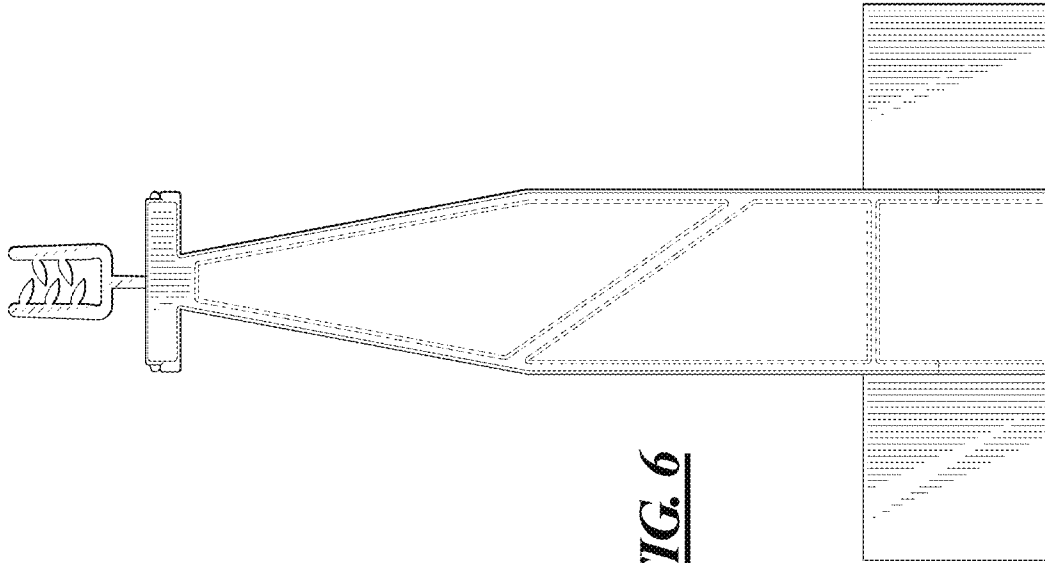


FIG. 6

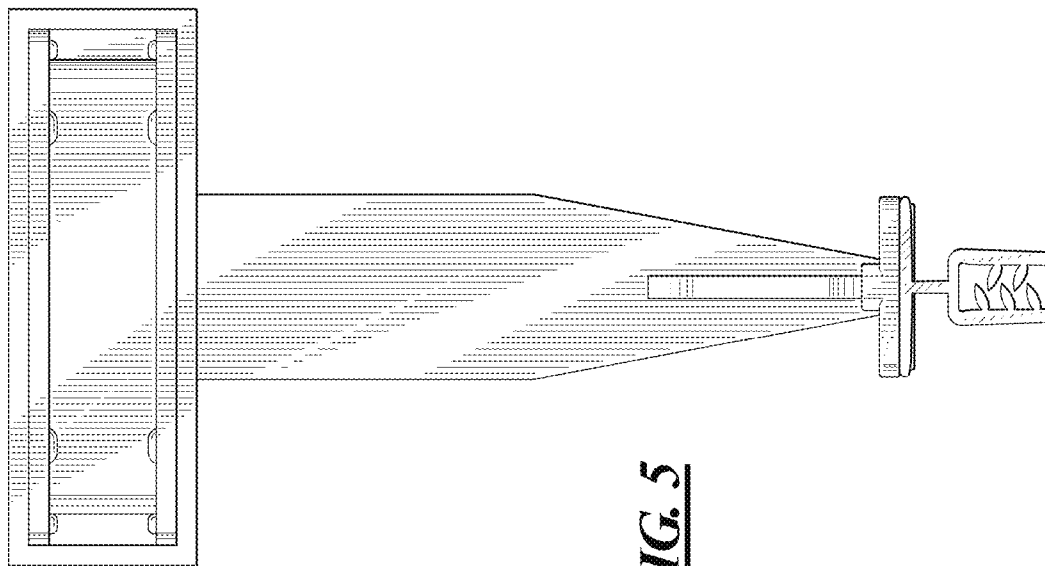


FIG. 5