



US00D755083S

(12) **United States Design Patent**
Gillam et al.

(10) **Patent No.:** **US D755,083 S**

(45) **Date of Patent:** **** May 3, 2016**

(54) **AUTOMOBILE EXTERIOR**

(71) Applicants: **Michael C Gillam**, Addison Township,
MI (US); **Gregory A Howell**,
Farmington, MI (US); **Joseph S Dehner**,
Bloomfield Hills, MI (US)

(72) Inventors: **Michael C Gillam**, Addison Township,
MI (US); **Gregory A Howell**,
Farmington, MI (US); **Joseph S Dehner**,
Bloomfield Hills, MI (US)

(73) Assignee: **FCA US LLC**, Auburn Hills, MI (US)

(**) Term: **14 Years**

(21) Appl. No.: **29/513,961**

(22) Filed: **Jan. 7, 2015**

(51) **LOC (10) Cl.** **12-08**

(52) **U.S. Cl.**
USPC **D12/98**

(58) **Field of Classification Search**
USPC D12/86, 90-92, 88, 98; D21/424, 433,
D21/434, 533; 296/181.1, 181.5, 181.3,
296/183.1, 37.6
CPC B60R 9/06; B62D 35/00
See application file for complete search history.

(56) **References Cited**

U.S. PATENT DOCUMENTS

D352,485 S 11/1994 Creed et al.
D373,979 S 9/1996 Starr et al.
D455,372 S 4/2002 Myles et al.

D551,127 S 9/2007 Krugger et al.
D564,946 S 3/2008 Krugger et al.
D586,699 S * 2/2009 Opfer D12/98
D588,501 S 3/2009 Krugger et al.
D589,407 S 3/2009 Krugger et al.
D659,053 S * 5/2012 Ware D12/98
D703,586 S * 4/2014 Platto D12/98
D723,428 S * 3/2015 Sperling D12/98
D725,001 S * 3/2015 McMahan D12/98
D732,435 S * 6/2015 Mackay D12/98
D735,082 S * 7/2015 Sperling D12/98
D742,790 S * 11/2015 Noguchi D12/98
D748,014 S * 1/2016 Ino D12/98
D748,015 S * 1/2016 Ino D12/98

* cited by examiner

Primary Examiner — Melody N. Brown

(74) *Attorney, Agent, or Firm* — Ralph E Smith

(57) **CLAIM**

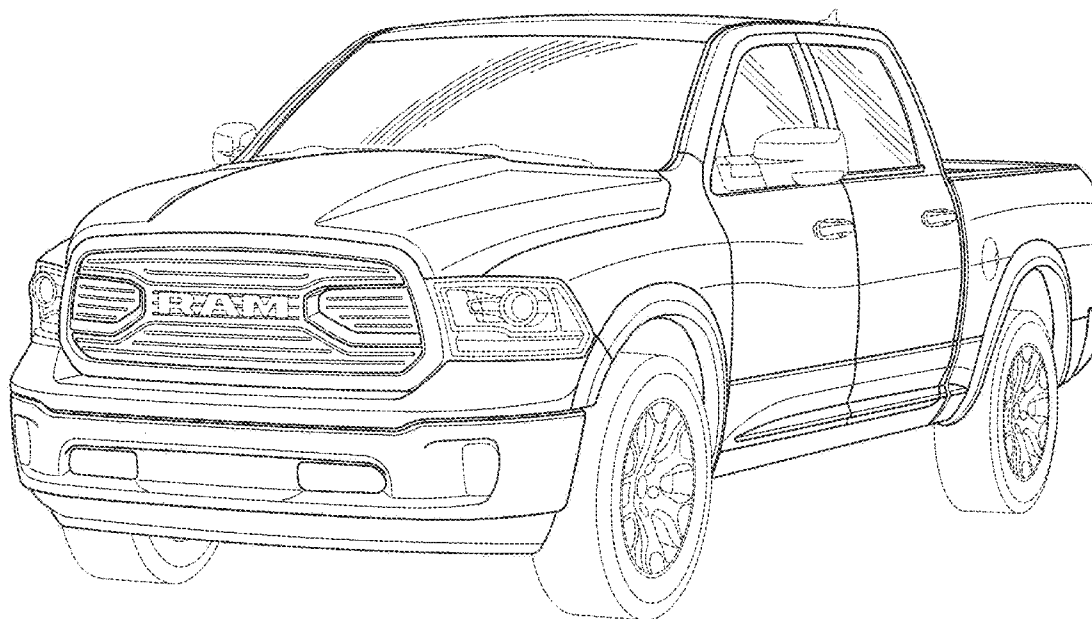
The ornamental design for an automobile exterior, as shown and described.

DESCRIPTION

FIG. 1 is a front perspective view of an automobile exterior showing our new design;
FIG. 2 is a rear perspective view thereof;
FIG. 3 is a side view thereof;
FIG. 4 is an opposite side view thereof;
FIG. 5 is a front view thereof;
FIG. 6 is a rear view thereof; and,
FIG. 7 is a top plan view.

It will be understood that the broken lines shown in the drawings illustrate portions of the automobile exterior that form no part of claimed design.

1 Claim, 5 Drawing Sheets



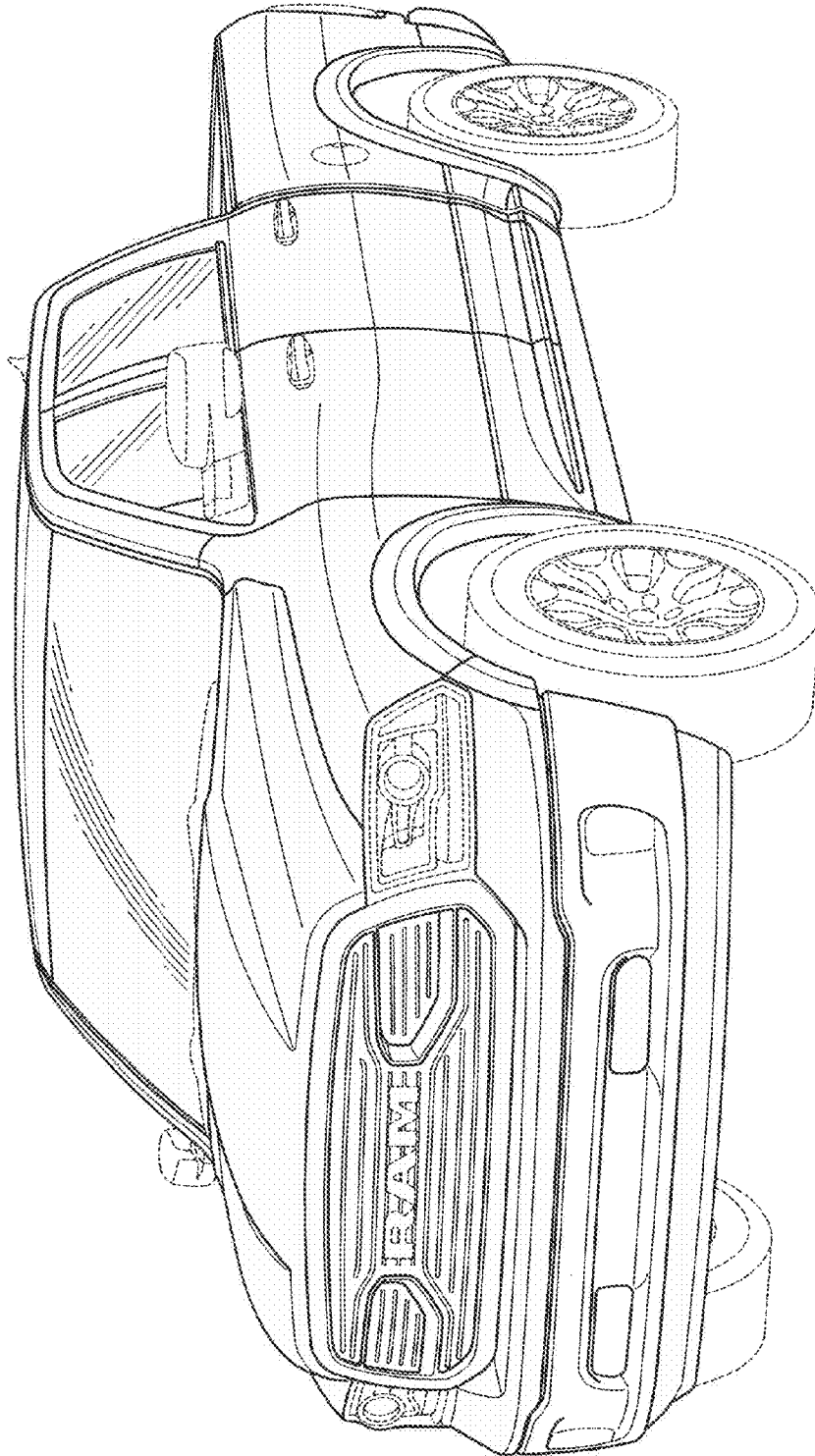


FIG. 1

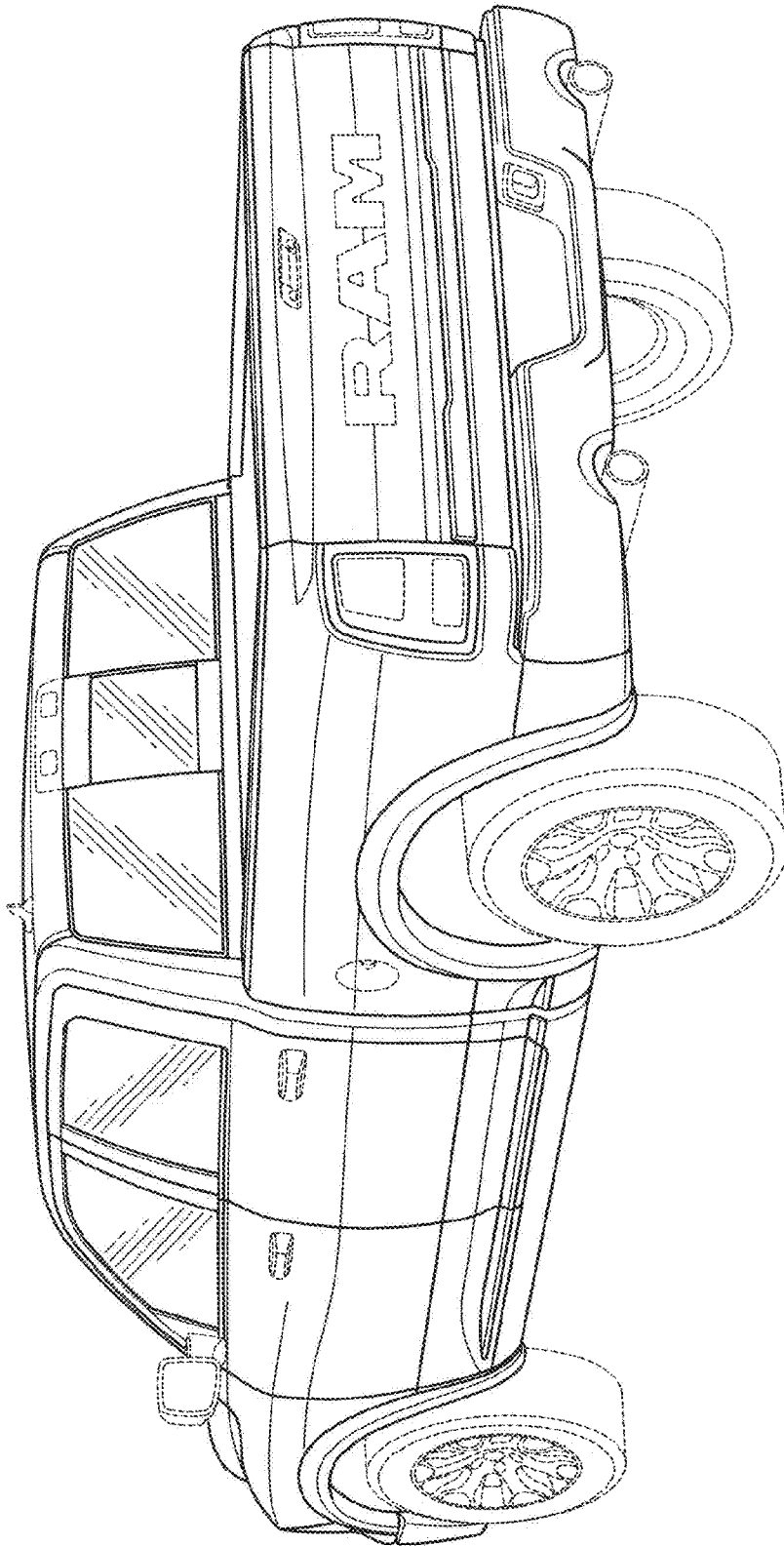
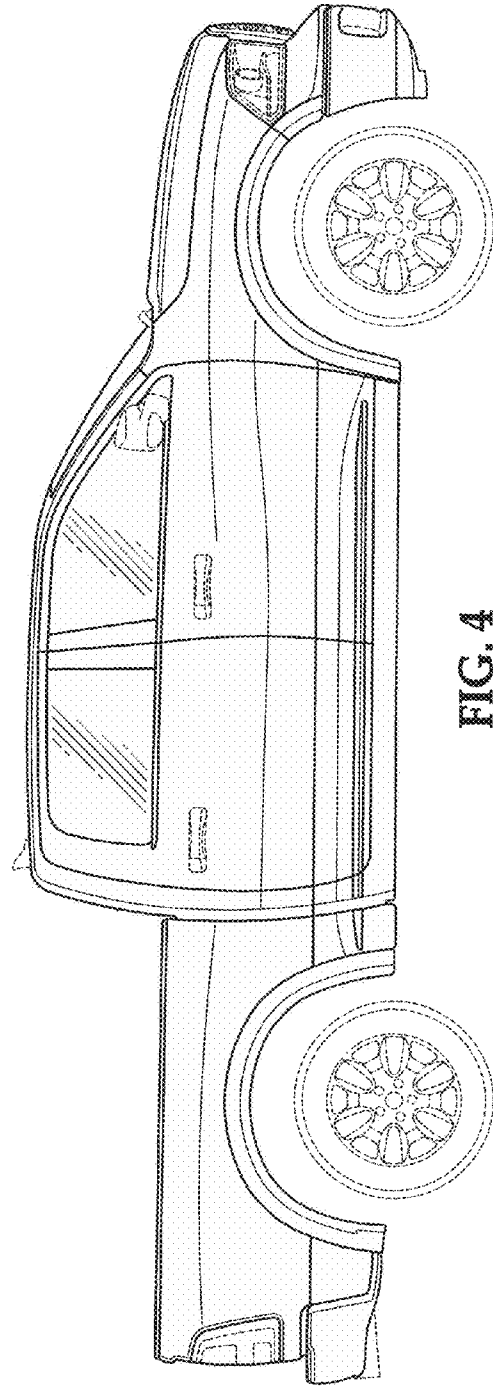
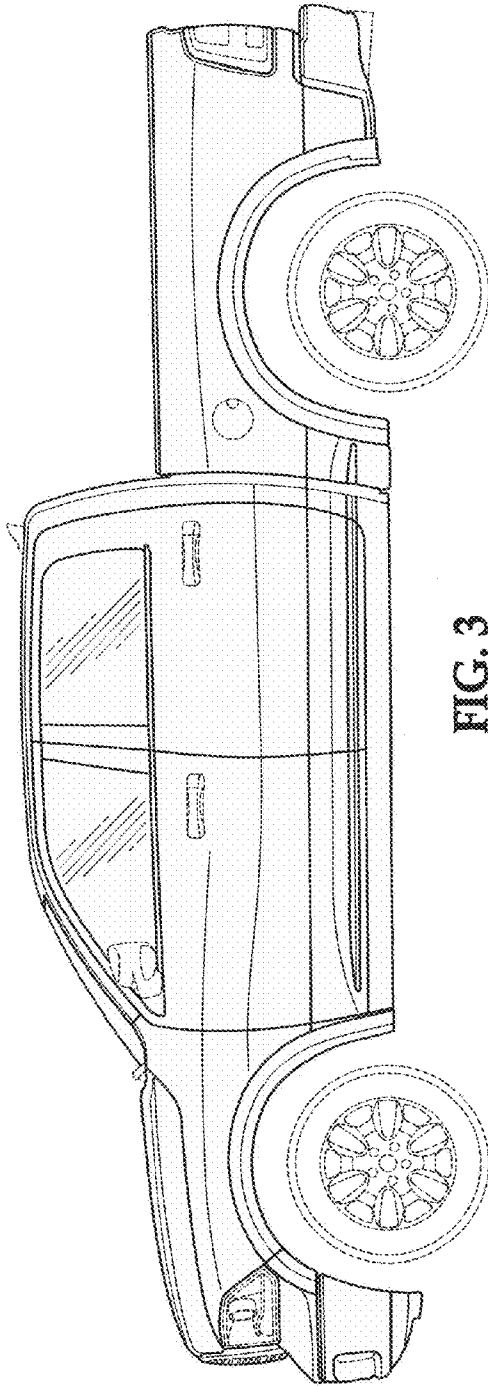


FIG. 2



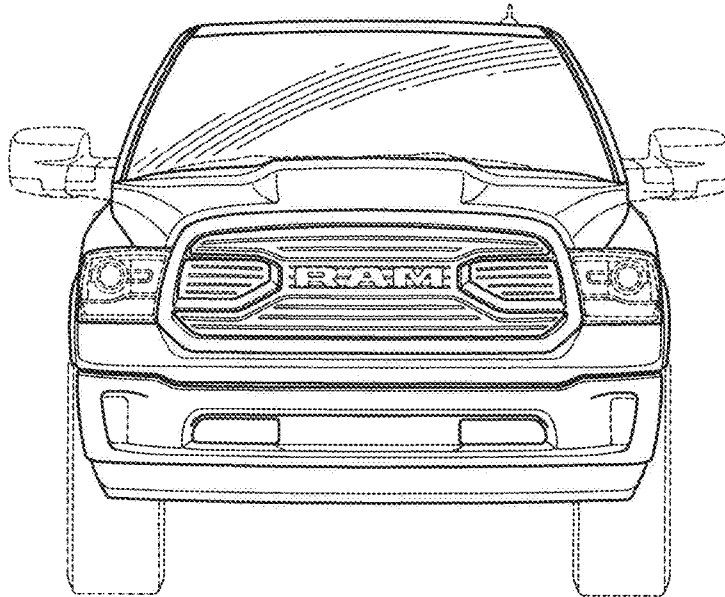


FIG. 5

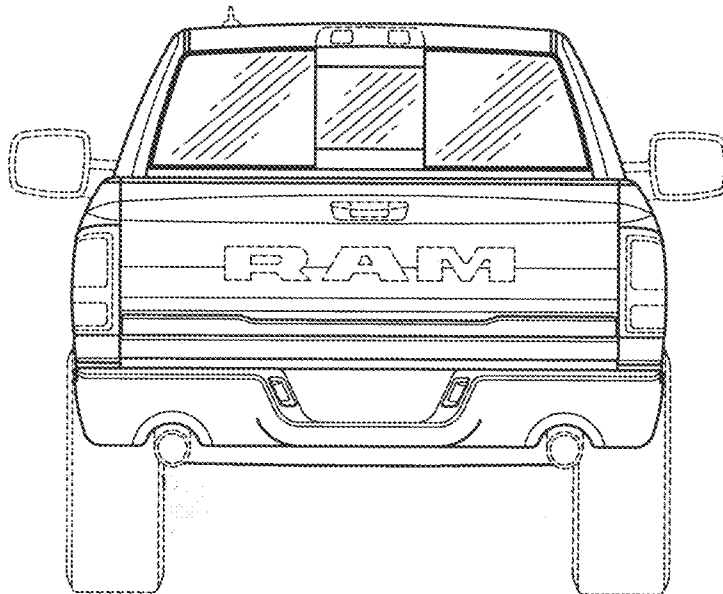


FIG. 6

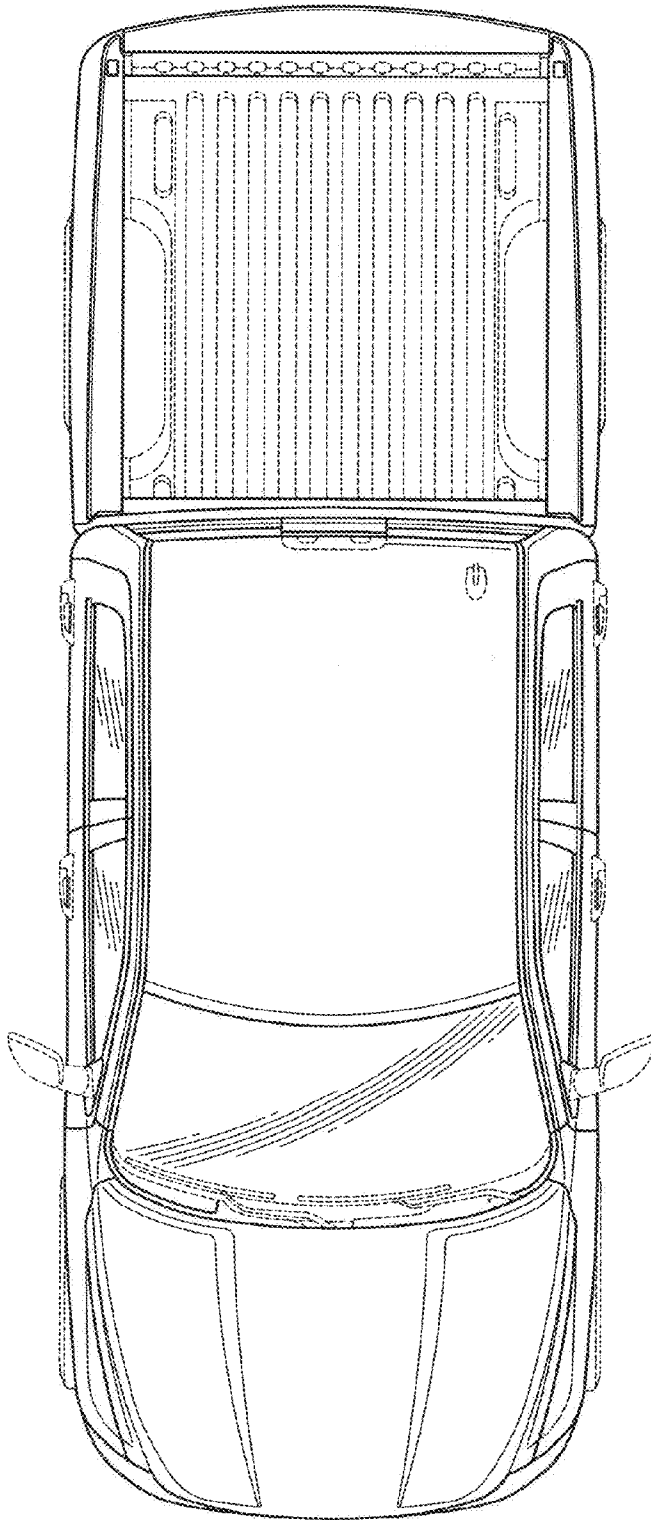


FIG. 7