



US00D646012S

(12) **United States Design Patent**
Irvine

(10) **Patent No.:** **US D646,012 S**

(45) **Date of Patent:** **** Sep. 27, 2011**

(54) **LIGHT**

(75) Inventor: **James Irvine, Milan (IT)**

(73) Assignee: **Zumtobel Lighting GmbH, Dornbirn (AT)**

(**) Term: **14 Years**

(21) Appl. No.: **29/381,011**

(22) Filed: **Dec. 14, 2010**

Related U.S. Application Data

(62) Division of application No. 29/344,581, filed on Sep. 30, 2009, now Pat. No. Des. 631,594.

(30) **Foreign Application Priority Data**

Mar. 30, 2009	(EP)	001 115 109-0001
Mar. 30, 2009	(EP)	001 115 109-0002
Mar. 30, 2009	(EP)	001 115 109-0003
Mar. 30, 2009	(EP)	001 115 109-0004
Mar. 30, 2009	(EP)	001 115 109-0005
Mar. 30, 2009	(EP)	001 115 109-0006

(51) **LOC (9) Cl.** **26-05**

(52) **U.S. Cl.** **D26/74**

(58) **Field of Classification Search** D26/72, D26/74, 75, 76, 77, 78, 79, 80, 81, 82, 83, D26/84, 85, 86, 88, 89, 90, 91, 1, 2, 3, 24, D26/56; D13/180, 182; 362/555, 576, 147, 362/150, 217.01, 219, 217.02, 217.03, 217.04, 362/217.05, 217.08, 217.09, 260, 364, 365, 362/366, 404, 800

See application file for complete search history.

(56) **References Cited**

U.S. PATENT DOCUMENTS

D195,012 S * 4/1963 Hoyle D23/388

D201,544 S *	7/1965	Brooks	D25/56
D320,283 S *	9/1991	Burkhardt	D26/121
D427,706 S *	7/2000	Irvine	D26/76
D428,508 S *	7/2000	Irvine	D26/76
D441,117 S *	4/2001	Grimm	D26/76
D477,891 S *	7/2003	Fritze et al.	D26/74
D579,598 S *	10/2008	Santoro	D26/76
D602,625 S *	10/2009	Santoro	D26/76
D604,002 S *	11/2009	Santoro	D26/76
D604,884 S *	11/2009	Moritz	D26/76
D631,594 S *	1/2011	Irvine	D26/74
2004/0184264 A1 *	9/2004	Elam et al.	362/148

* cited by examiner

Primary Examiner — Angela J Lee

(74) *Attorney, Agent, or Firm* — Christensen O'Connor Johnson Kindness PLLC

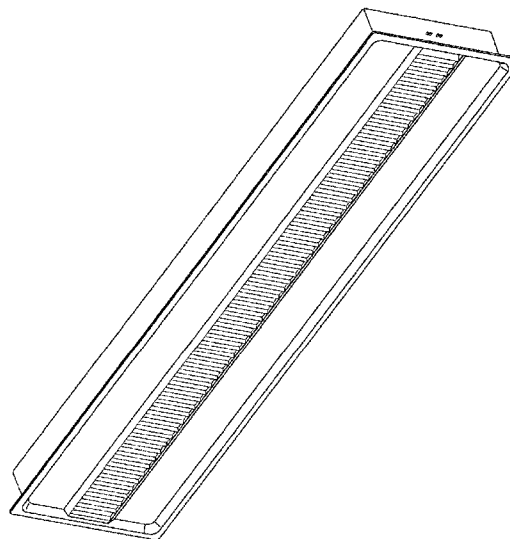
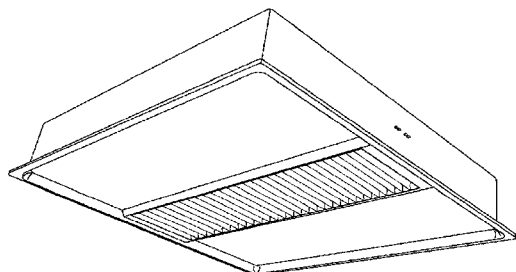
(57) **CLAIM**

The ornamental design for a light, as shown and described.

DESCRIPTION

FIG. 1 is a bottom isometric view of a light according to the first embodiment of my new design;
 FIG. 2 is a bottom plan view thereof;
 FIG. 3 is a top plan view thereof;
 FIG. 4 is a side elevation view thereof;
 FIG. 5 is another side elevation view thereof;
 FIG. 6 is another side elevation view thereof; and
 FIG. 7 is another side elevation view thereof.
 FIG. 8 is a bottom isometric view of a light according to the second embodiment of my new design;
 FIG. 9 is a bottom view thereof;
 FIG. 10 is a top plan view thereof;
 FIG. 11 is a side elevation view thereof;
 FIG. 12 is another side elevation view thereof;
 FIG. 13 is another side elevation view thereof; and,
 FIG. 14 is another side elevation view thereof.

1 Claim, 8 Drawing Sheets



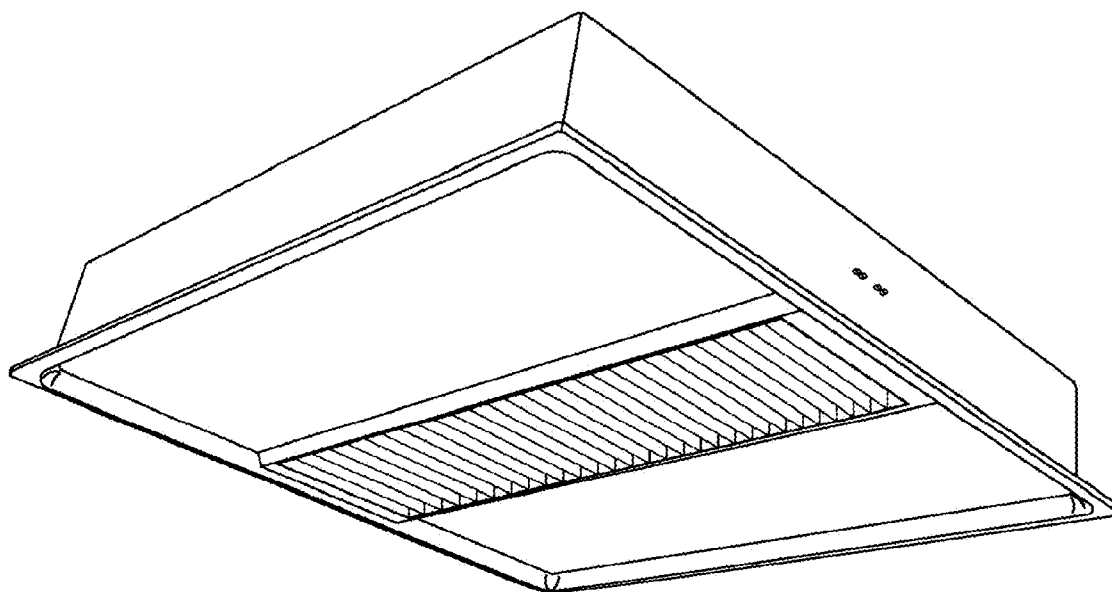


Fig. 1.

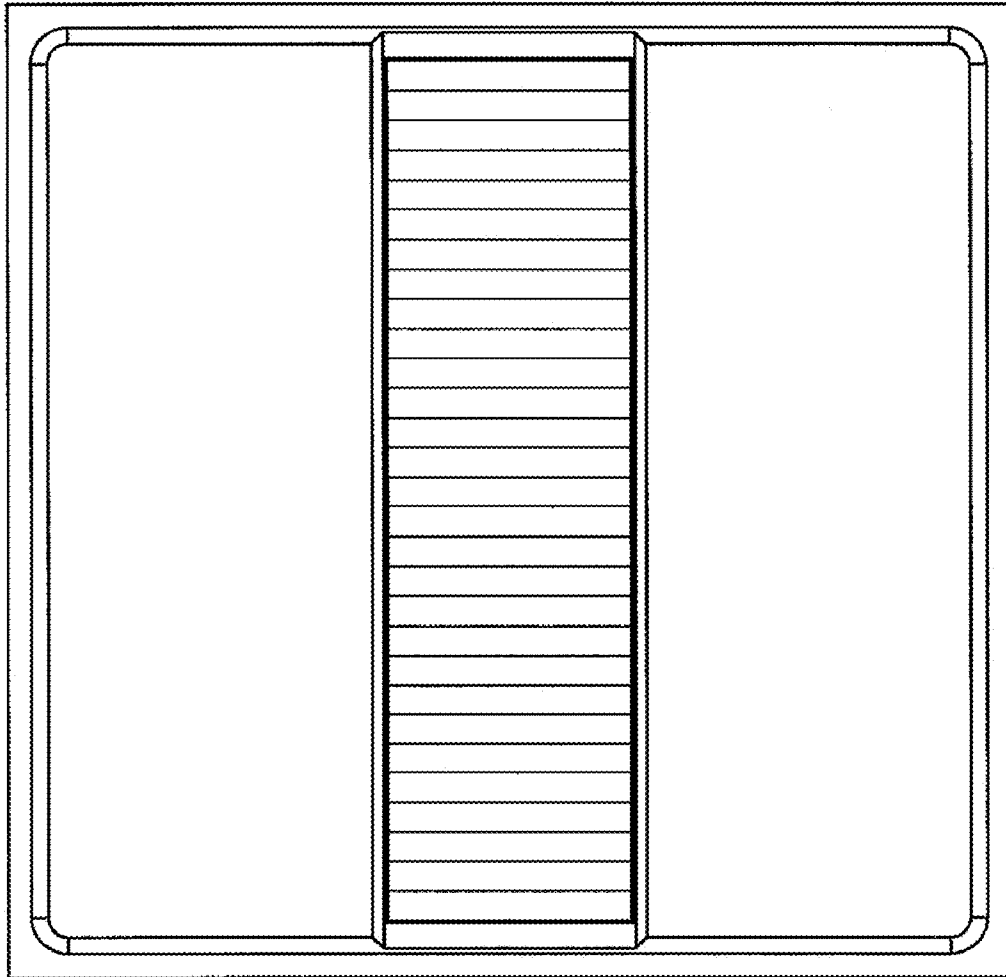


Fig. 2.

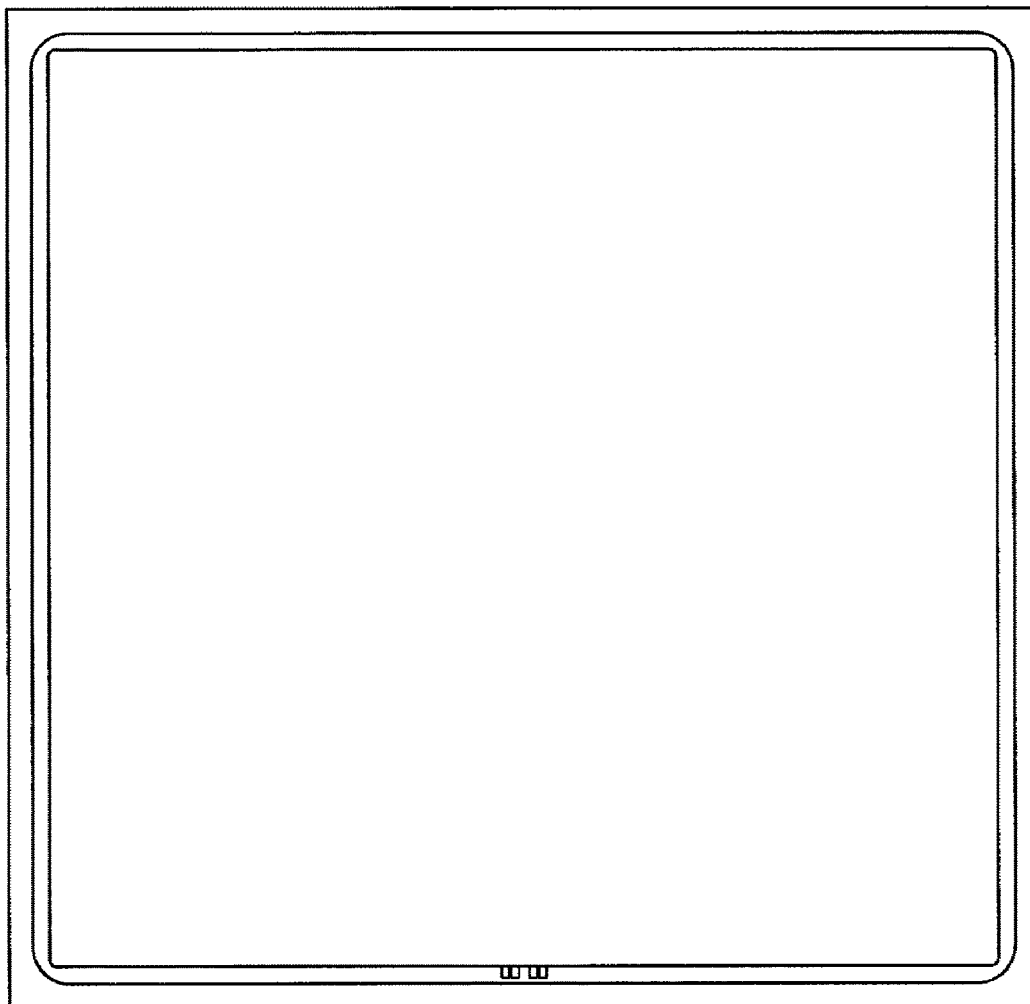


Fig.3.



Fig. 4.



Fig. 5.

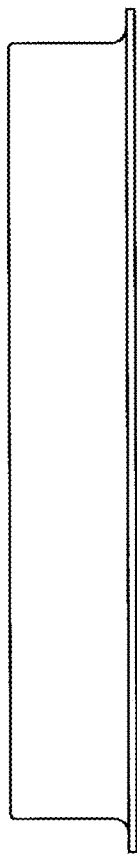


Fig. 6.



Fig. 7.

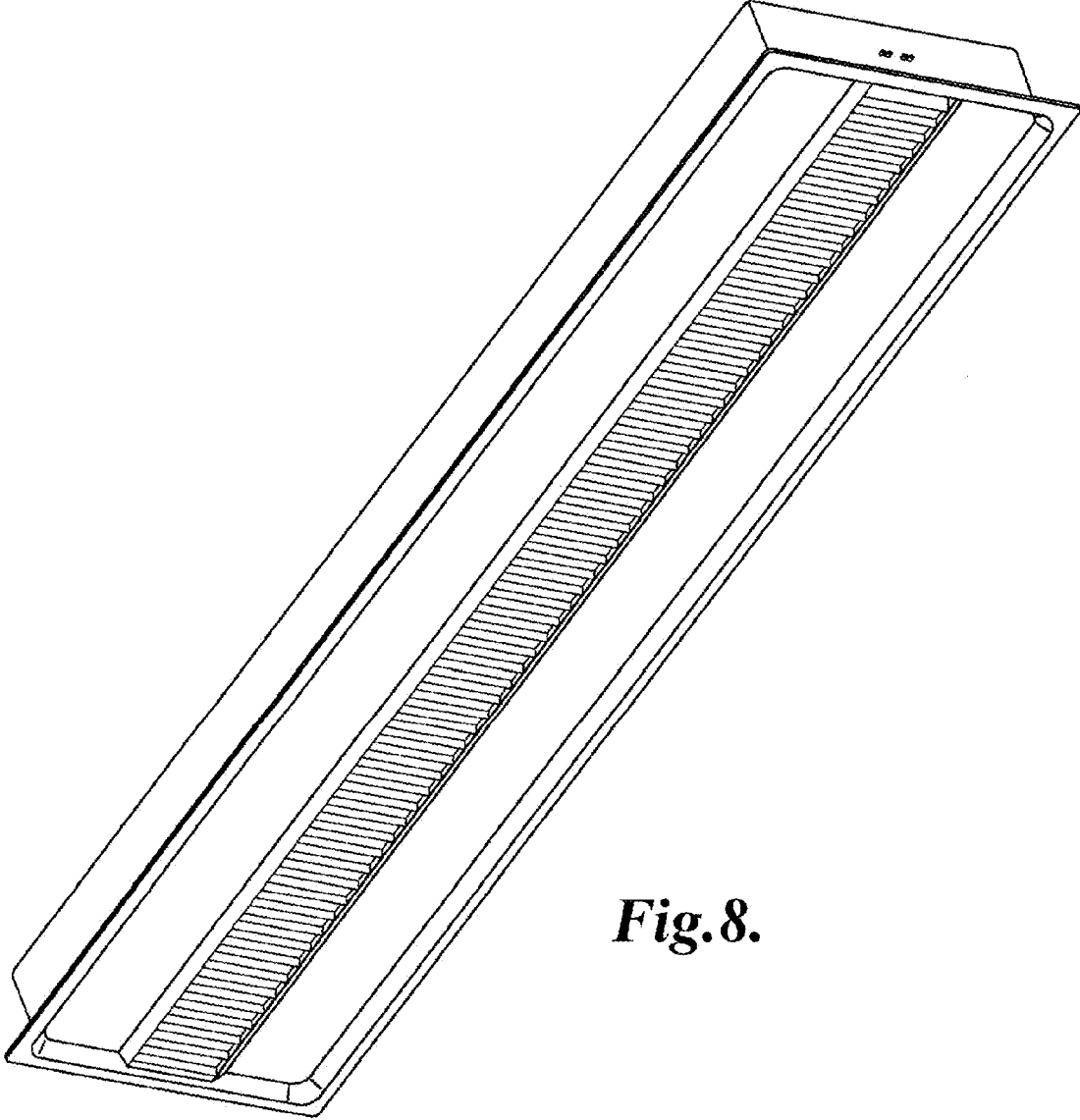


Fig. 8.

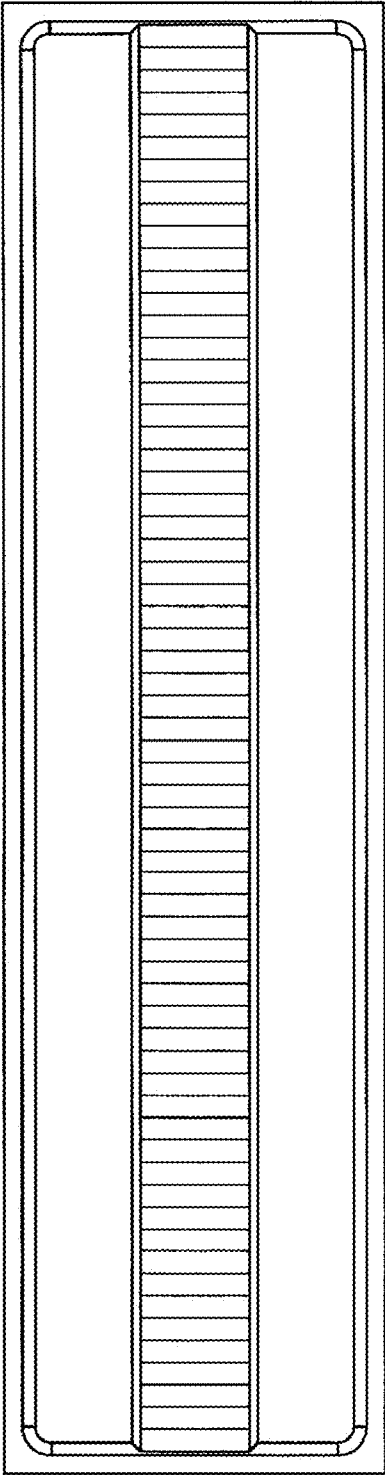


Fig. 9.

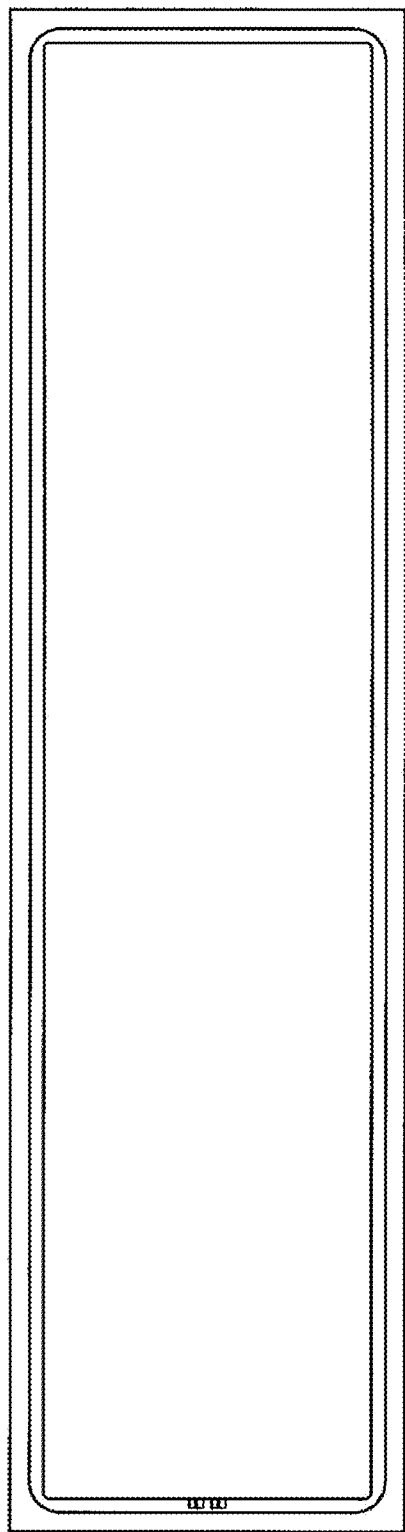


Fig. 10.



Fig.11.

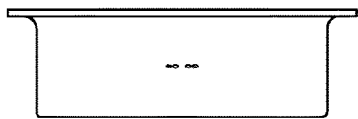


Fig.12.

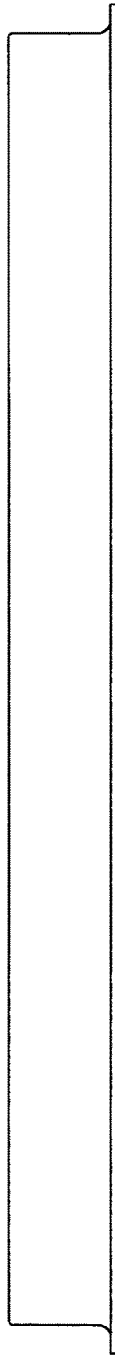


Fig.13.

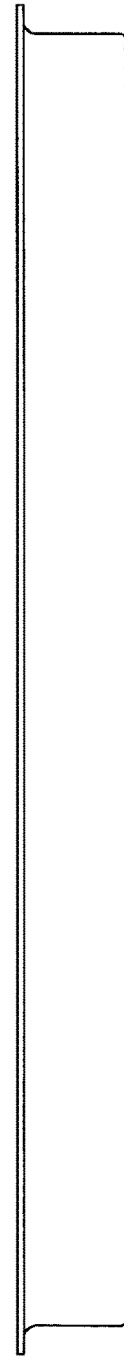


Fig.14.