



US00D960164S

(12) **United States Design Patent**  
**Yang et al.**

(10) **Patent No.:** **US D960,164 S**

(45) **Date of Patent:** **\*\* Aug. 9, 2022**

(54) **DATA CABLE**

(71) Applicant: **Shenzhen Velocity Technology Innovations Co., Ltd.**, Shenzhen (CN)

(72) Inventors: **Jiahao Yang**, Shenzhen (CN); **Zhiqiang Gong**, Shenzhen (CN)

(73) Assignee: **SHENZHEN VELOCITY TECHNOLOGY INNOVATIONS CO., LTD.**, Shenzhen (CN)

(\*\*) Term: **15 Years**

(21) Appl. No.: **29/727,262**

(22) Filed: **Mar. 10, 2020**

(51) **LOC (13) Cl.** ..... **14-99**

(52) **U.S. Cl.**  
USPC ..... **D14/433; D13/147**

(58) **Field of Classification Search**  
USPC ..... D14/432, 433, 435.1, 438, 439;  
D13/133, 146, 147, 153, 154  
CPC ..... H05K 5/0278; G06K 19/07732; H01R 27/00; H01R 27/02; H01R 31/06  
See application file for complete search history.

(56) **References Cited**

**U.S. PATENT DOCUMENTS**

D548,700	S	*	8/2007	Ledbetter	.....	D13/153
D588,545	S	*	3/2009	Andre	.....	D13/154
D610,095	S	*	2/2010	Wu	.....	D13/147
D683,703	S	*	6/2013	Akana	.....	D13/147
D703,614	S	*	4/2014	Lee	.....	D13/147
D714,729	S	*	10/2014	Akana	.....	D13/147
D746,780	S	*	1/2016	Akana	.....	D13/147
D747,273	S	*	1/2016	Langhammer	.....	D13/147

D760,720	S	*	7/2016	Laffon de Mazieres	....	D14/433
D895,551	S	*	9/2020	Turksu	.....	D13/133
D895,625	S	*	9/2020	Turksu	.....	D14/433
D896,185	S	*	9/2020	Turksu	.....	D14/433
D908,095	S	*	1/2021	Turksu	.....	D14/433
D910,578	S	*	2/2021	Turksu	.....	D14/433
D920,256	S	*	5/2021	Turksu	.....	D13/147
D936,657	S	*	11/2021	Zhang	.....	D14/433
D942,395	S	*	2/2022	Wu	.....	D13/133
D943,532	S	*	2/2022	Zhang	.....	D13/133
D945,369	S	*	3/2022	Zhang	.....	D13/133
D947,129	S	*	3/2022	Zhang	.....	D13/133
2017/0273202	A1	*	9/2017	Joo	.....	H01R 24/28

\* cited by examiner

*Primary Examiner* — Rebekah A Caruso

(74) *Attorney, Agent, or Firm* — IPro, PLLC

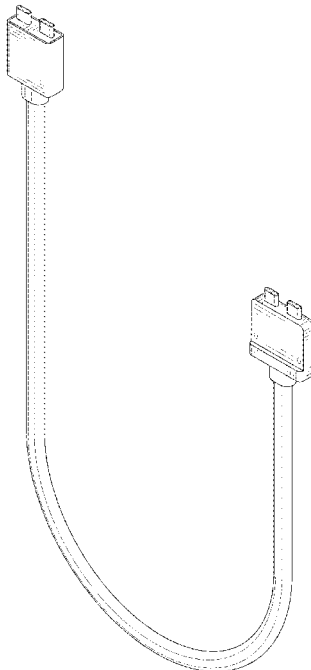
(57) **CLAIM**

The ornamental design for a data cable, as shown and described.

**DESCRIPTION**

FIG. 1 is a perspective view of a data cable showing our new design;  
FIG. 2 is a perspective view viewed from another angle thereof;  
FIG. 3 is a front elevation view thereof;  
FIG. 4 is a rear elevation view thereof;  
FIG. 5 is a left side elevation view thereof;  
FIG. 6 is a right side elevation view thereof;  
FIG. 7 is a top plan view thereof; and,  
FIG. 8 is a bottom plan view thereof.  
The broken lines in the figures depict portions of the article that form no part of the claimed design.

**1 Claim, 8 Drawing Sheets**



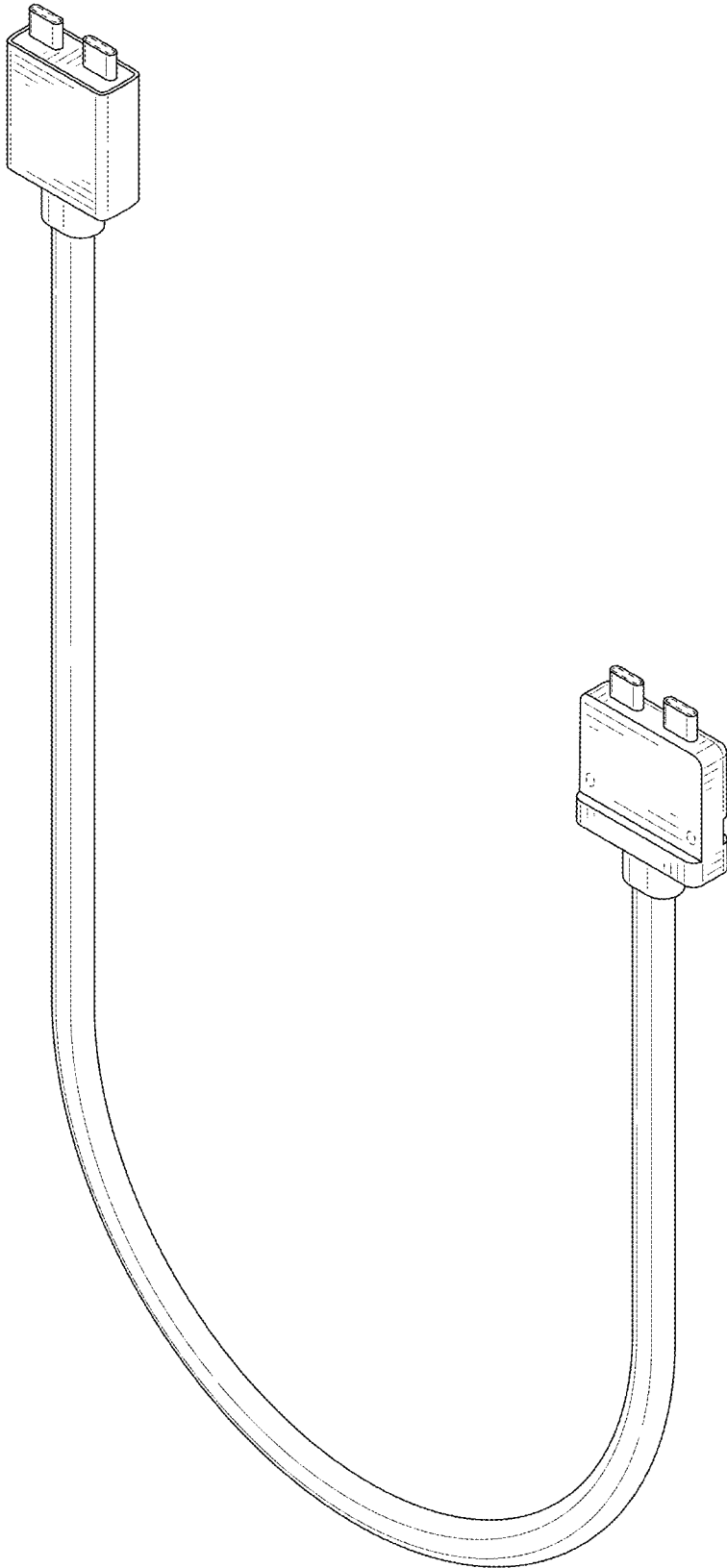


FIG. 1

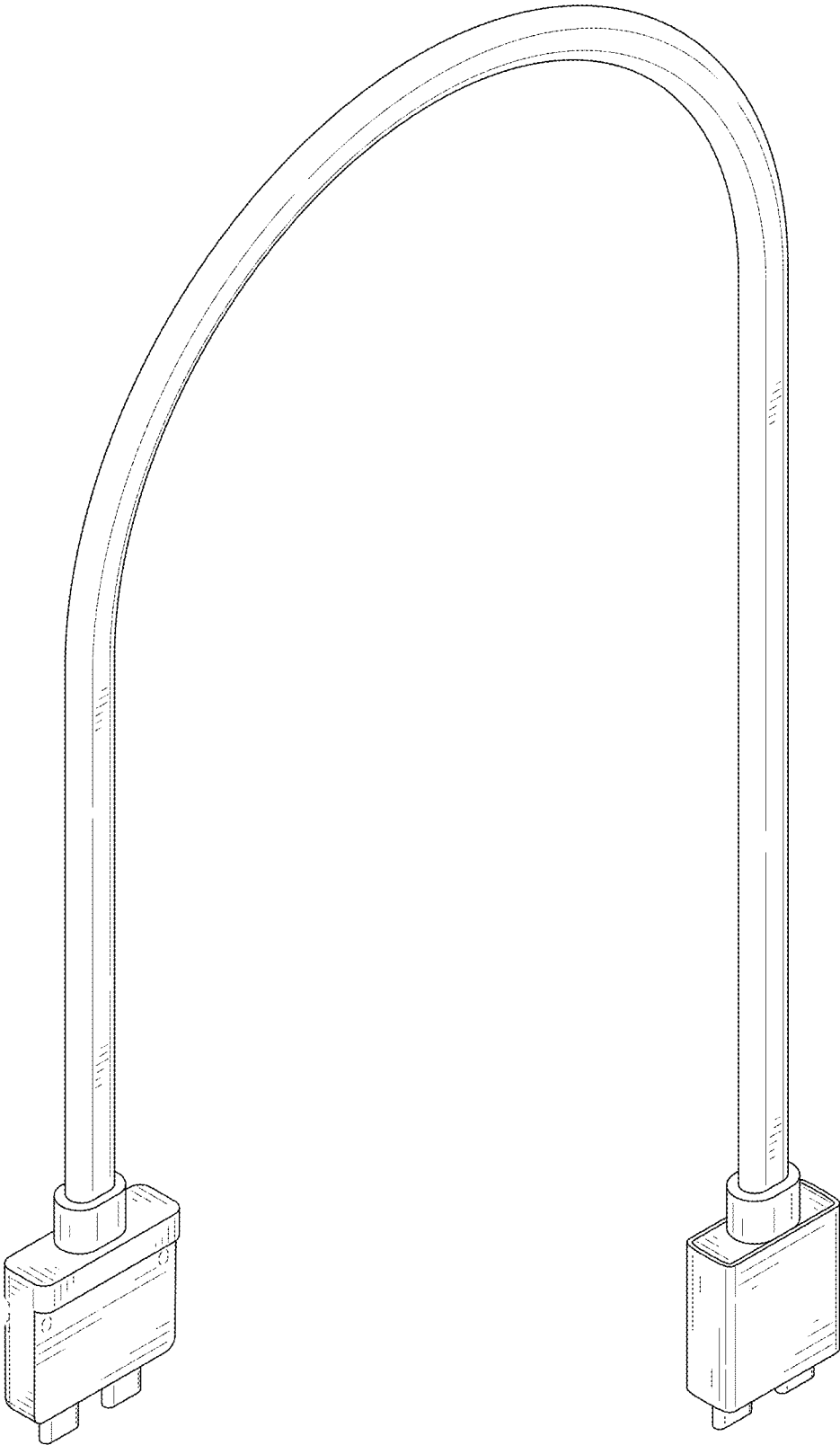


FIG. 2

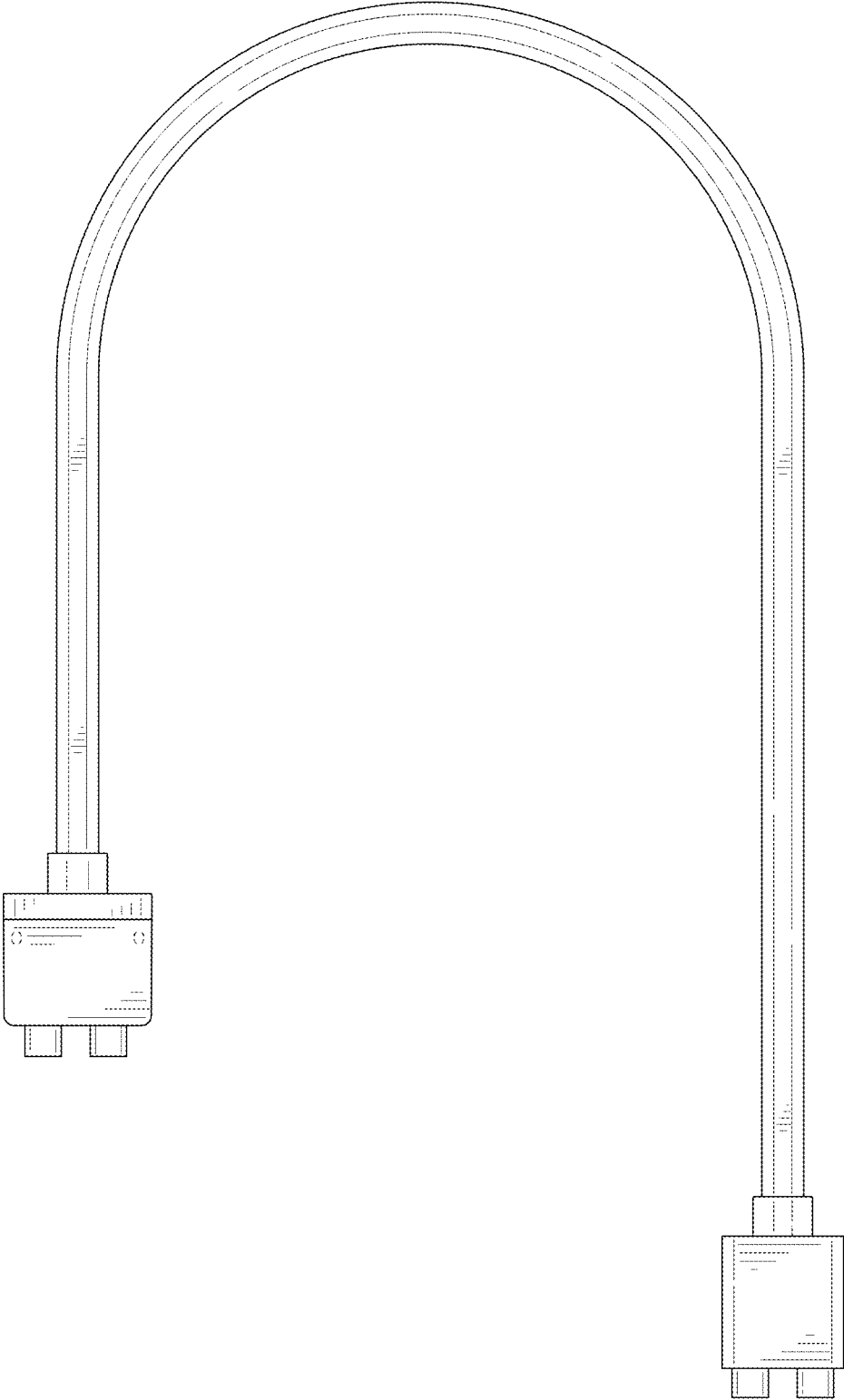


FIG. 3

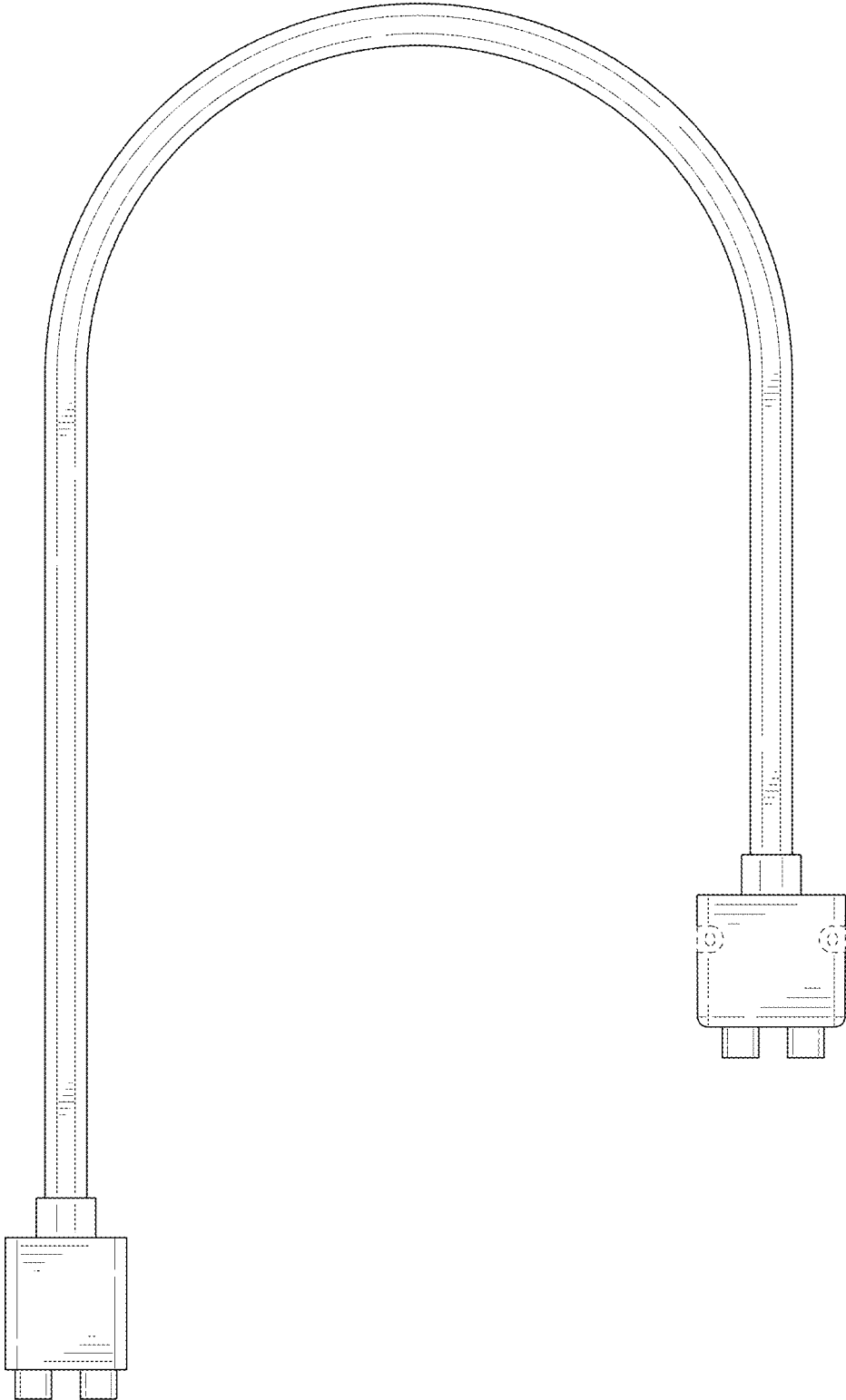


FIG. 4

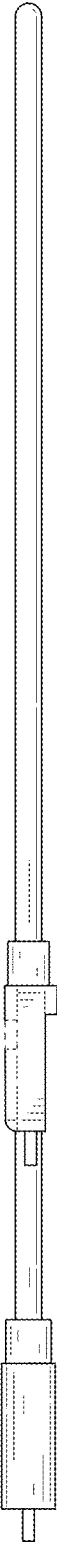


FIG. 5

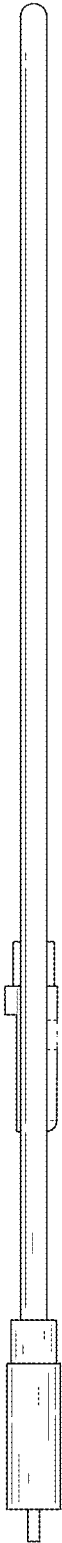


FIG. 6

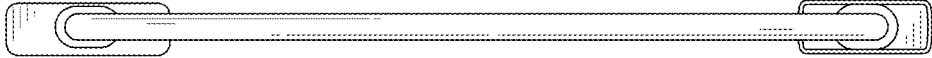


FIG. 7



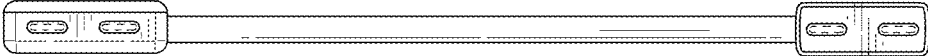


FIG. 8