

(19) World Intellectual Property Organization
International Bureau



(43) International Publication Date
30 April 2009 (30.04.2009)

PCT

(10) International Publication Number
WO 2009/053668 A3

(51) International Patent Classification:
H02J 3/38 (2006.01) *H02J 13/00* (2006.01)

NZ, OM, PG, PH, PL, PT, RO, RS, RU, SC, SD, SE, SG, SK, SL, SM, ST, SV, SY, TJ, TM, TN, TR, TT, TZ, UA, UG, US, UZ, VC, VN, ZA, ZM, ZW.

(21) International Application Number:
PCT/GB2008/003206

(84) Designated States (unless otherwise indicated, for every kind of regional protection available): ARIPO (BW, GH, GM, KE, LS, MW, MZ, NA, SD, SL, SZ, TZ, UG, ZM, ZW), Eurasian (AM, AZ, BY, KG, KZ, MD, RU, TJ, TM), European (AT, BE, BG, CH, CY, CZ, DE, DK, EE, ES, FI, FR, GB, GR, HR, HU, IE, IS, IT, LT, LU, LV, MC, MT, NL, NO, PL, PT, RO, SE, SI, SK, TR), OAPI (BF, BJ, CF, CG, CI, CM, GA, GN, GQ, GW, ML, MR, NE, SN, TD, TG).

(22) International Filing Date:
23 September 2008 (23.09.2008)

(25) Filing Language: English

(26) Publication Language: English

(30) Priority Data:
0721167.5 26 October 2007 (26.10.2007) GB

Declarations under Rule 4.17:

(71) Applicant (for US only): **ROLLS-ROYCE plc**; 65 Buckingham Gate, London SW1E 6AT (GB).

— as to applicant's entitlement to apply for and be granted a patent (Rule 4.17(ii))

(72) Inventor; and

(75) Inventor/Applicant (for US only): **BRIGHT, Christopher, Graham** [GB/GB]; 23 Grainger Avenue, West Bridgford, Nottingham NG2 7AS (GB).

Published:

— with international search report (Art. 21(3))
— before the expiration of the time limit for amending the claims and to be republished in the event of receipt of amendments (Rule 48.2(h))

(74) Agent: **GUNN, Michael, Alan**; Rolls-Royce plc, P.O. Box 31, Derby DE24 8BJ (GB).

(81) Designated States (unless otherwise indicated, for every kind of national protection available): AE, AG, AL, AM, AO, AT, AU, AZ, BA, BB, BG, BH, BR, BW, BY, BZ, CA, CH, CN, CO, CR, CU, CZ, DE, DK, DM, DO, DZ, EC, EE, EG, ES, FI, GB, GD, GE, GH, GM, GT, HN, HR, HU, ID, IL, IN, IS, JP, KE, KG, KM, KN, KP, KR, KZ, LA, LC, LK, LR, LS, LT, LU, LY, MA, MD, ME, MG, MK, MN, MW, MX, MY, MZ, NA, NG, NI, NO,

(88) Date of publication of the international search report:
15 October 2009

(15) Information about Correction:

Previous Correction:
see Notice of 11 June 2009

(54) Title: ELECTRICAL GENERATOR ARRANGEMENTS

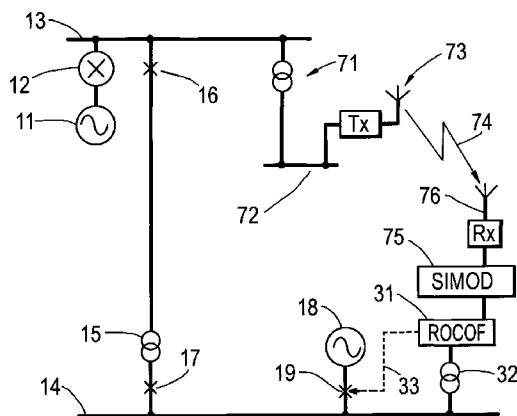


Fig.7

(57) Abstract: Within distribution networks for electrical generator arrangements it is possible that power islands may be established where second generators (18) provide electrical power to a local trapped load. These second generators (18) may diverge from the electrical power supply characteristics of the distribution network during periods as part of a power island. It is known to provide comparators to determine divergence between the second generator (18) and a first generator (11) as part of the generator arrangement. Such prior comparators have either been unable to distinguish between system wide fluctuations in the power characteristics and local divergence in a power island. Synchronisation by determining electrical power characteristics through the distribution network is known but can add significantly to system requirements. Transmitters of opportunity in terms of transmitter signals incidentally modulated by the electrical power provided by the first generator are used. Thus, comparison of the second generator electrical characteristic with the supply incidental modulation as a result of power supply to a transmitter (73) determination can be made as to whether a switch (19) should be operated to isolate the second generator (18) from a distribution network.



WO 2009/053668 A3

INTERNATIONAL SEARCH REPORT

International application No

PCT/GB2008/003206

A. CLASSIFICATION OF SUBJECT MATTER
 INV. H02J3/38 H02J13/00

According to International Patent Classification (IPC) or to both national classification and IPC

B. FIELDS SEARCHED

Minimum documentation searched (classification system followed by classification symbols)
 H02J

Documentation searched other than minimum documentation to the extent that such documents are included in the fields searched

Electronic data base consulted during the international search (name of data base and, where practical, search terms used)

EPO-Internal, WPI Data

C. DOCUMENTS CONSIDERED TO BE RELEVANT

Category*	Citation of document, with indication, where appropriate, of the relevant passages	Relevant to claim No.
A	WO 01/82444 A (POWER GENERATION COMPANY LTD [GB]; BRIGHT CHRISTOPHER GRAHAM [GB]) 1 November 2001 (2001-11-01) abstract; figures 1-3 page 1, lines 18-22 page 4, lines 13-23 page 6, line 15 - page 7, line 30 page 13, line 3 - page 14, line 2 page 16, line 29 - page 18, line 18 page 19, line 8 - page 20, line 5 page 20, lines 22-28 ----- -/--	1-22

Further documents are listed in the continuation of Box C.

See patent family annex.

* Special categories of cited documents :

- *A* document defining the general state of the art which is not considered to be of particular relevance
- *E* earlier document but published on or after the international filing date
- *L* document which may throw doubts on priority claim(s) or which is cited to establish the publication date of another citation or other special reason (as specified)
- *O* document referring to an oral disclosure, use, exhibition or other means
- *P* document published prior to the international filing date but later than the priority date claimed

- *T* later document published after the international filing date or priority date and not in conflict with the application but cited to understand the principle or theory underlying the invention
- *X* document of particular relevance; the claimed invention cannot be considered novel or cannot be considered to involve an inventive step when the document is taken alone
- *Y* document of particular relevance; the claimed invention cannot be considered to involve an inventive step when the document is combined with one or more other such documents, such combination being obvious to a person skilled in the art.
- * & * document member of the same patent family

Date of the actual completion of the international search

3 August 2009

Date of mailing of the international search report

12/08/2009

Name and mailing address of the ISA/

European Patent Office, P.B. 5818 Patentlaan 2
 NL - 2280 HV Rijswijk
 Tel. (+31-70) 340-2040.
 Fax: (+31-70) 340-3016

Authorized officer

Kail, Maximilian

INTERNATIONAL SEARCH REPORT

International application No

PCT/GB2008/003206

C(Continuation). DOCUMENTS CONSIDERED TO BE RELEVANT

Category*	Citation of document, with indication, where appropriate, of the relevant passages	Relevant to claim No.
A	BRIGHT, C.G.: "COROCOF: comparison of rate of change of frequency protection. A solution to the detection of loss of mains" PROCEEDINGS SEVENTH INTERNATIONAL CONFERENCE ON DEVELOPMENTS IN POWER SYSTEM PROTECTION (IEE), 9 April 2001 (2001-04-09), pages 70-73, XP002538636 page 1, left-hand column page 72, right-hand column, paragraph 3-5 -----	1-22
A	EP 0 677 911 A (CANON KK [JP]) 18 October 1995 (1995-10-18) figure 2 column 3, lines 4-12 column 8, line 55 - column 9, line 5 -----	1-22

INTERNATIONAL SEARCH REPORT

Information on patent family members

International application No

PCT/GB2008/003206

Patent document cited in search report		Publication date		Patent family member(s)	Publication date
WO 0182444	A	01-11-2001	AU	4862601 A	07-11-2001
			GB	2377565 A	15-01-2003
<hr/>					
EP 0677911	A	18-10-1995	DE	69515543 D1	20-04-2000
			DE	69515543 T2	27-07-2000
			ES	2144572 T3	16-06-2000
			JP	3029185 B2	04-04-2000
			JP	7336899 A	22-12-1995
			US	5686766 A	11-11-1997
<hr/>					