

(19) World Intellectual Property Organization  
International Bureau



(43) International Publication Date  
8 March 2007 (08.03.2007)

(10) International Publication Number  
**WO 2007/027563 A3**

(51) International Patent Classification:  
A61M 29/00 (2006.01)

(74) Agents: **JAEGER, Hugh, D.** et al.; Hugh D. Jaeger, P.A.,  
P.O. Box 672, 150 Lake Street West, Suite 106, Wayzata,  
MN 55391 (US).

(21) International Application Number:  
PCT/US2006/033428

(22) International Filing Date: 28 August 2006 (28.08.2006)

(25) Filing Language: English

(26) Publication Language: English

(30) Priority Data:  
11/217,546 1 September 2005 (01.09.2005) US

(81) Designated States (unless otherwise indicated, for every kind of national protection available): AE, AG, AL, AM, AT, AU, AZ, BA, BB, BG, BR, BW, BY, BZ, CA, CH, CN, CO, CR, CU, CZ, DE, DK, DM, DZ, EC, EE, EG, ES, FI, GB, GD, GE, GH, GM, HN, HR, HU, ID, IL, IN, IS, JP, KE, KG, KM, KN, KP, KR, KZ, LA, LC, LK, LR, LS, LT, LU, LV, LY, MA, MD, MG, MK, MN, MW, MX, MY, MZ, NA, NG, NI, NO, NZ, OM, PG, PH, PL, PT, RO, RS, RU, SC, SD, SE, SG, SK, SL, SM, SV, SY, TJ, TM, TN, TR, TT, TZ, UA, UG, US, UZ, VC, VN, ZA, ZM, ZW.

(71) Applicant (for all designated States except US): **POSSIS MEDICAL, INC.** [US/US]; 9055 Evergreen Boulevard, N.W., Minneapolis, MN 55433-8003 (US).

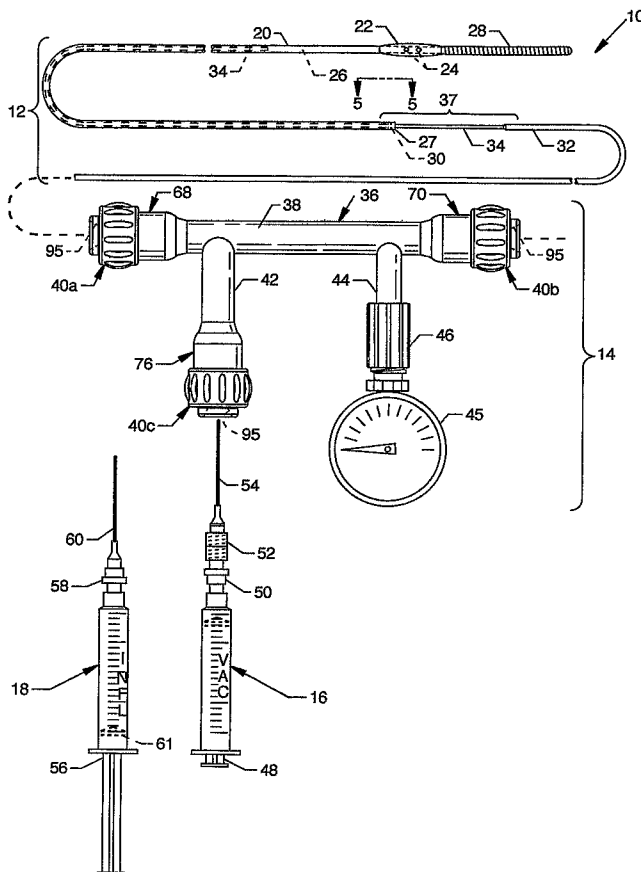
(72) Inventors; and

(75) Inventors/Applicants (for US only): **BONNETTE, Michael, J.** [US/US]; 2733 2nd Avenue South, Minneapolis, MN 55408 (US). **PRATHER, Richard, R.** [US/US]; 5730 Nelmark Avenue N.E., St. Michael, MN 55376 (US). **THOR, Eric, J.** [US/US]; 1707 Glenview Avenue, Arden Hills, MN 55112 (US).

(84) Designated States (unless otherwise indicated, for every kind of regional protection available): ARIPO (BW, GH, GM, KE, LS, MW, MZ, NA, SD, SL, SZ, TZ, UG, ZM, ZW), Eurasian (AM, AZ, BY, KG, KZ, MD, RU, TJ, TM), European (AT, BE, BG, CH, CY, CZ, DE, DK, EE, ES, FI, FR, GB, GR, HU, IE, IS, IT, LT, LU, LV, MC, NL, PL, PT,

[Continued on next page]

(54) Title: GAS INFLATION/EVACUATION SYSTEM INCORPORATING A MULTIPLE ELEMENT VALVED GUIDEWIRE ASSEMBLY HAVING AN OCCLUSIVE DRIVE



(57) Abstract: A gas inflation/evacuation system incorporating a multiple element valved guidewire assembly having an occlusive device for use in thrombectomy or other vascular procedures includes a multiple element valved guidewire assembly having an occlusive balloon removably and sealingly connectible to an included manifold assembly where a guidewire tube defines a lumen for inflation or deflation of the occlusive balloon. A first syringe for evacuating the lumen and a second syringe for introducing a biocompatible gas into the lumen to inflate the occlusive balloon that is in fluid communication with the lumen a plurality of times are included. A sealing valve arrangement selectively seals the proximal portion of the guidewire tube to control inflated or deflated states of the occlusive balloon.

WO 2007/027563 A3



RO, SE, SI, SK, TR), OAPI (BF, BJ, CF, CG, CI, CM, GA, GN, GQ, GW, ML, MR, NE, SN, TD, TG).

**(88) Date of publication of the international search report:**  
15 November 2007

**Published:**

- *with international search report*
- *before the expiration of the time limit for amending the claims and to be republished in the event of receipt of amendments*

**(15) Information about Correction:**

**Previous Correction:**

see PCT Gazette No. 15/2007 of 12 April 2007

*For two-letter codes and other abbreviations, refer to the "Guidance Notes on Codes and Abbreviations" appearing at the beginning of each regular issue of the PCT Gazette.*

## INTERNATIONAL SEARCH REPORT

International application No.

PCT/US 06/33428

A. CLASSIFICATION OF SUBJECT MATTER IPC(8): A61M 29/00 (2007.01) USPC: 604/97.01 According to International Patent Classification (IPC) or to both national classification and IPC		
B. FIELDS SEARCHED		
Minimum documentation searched (classification system followed by classification symbols) USPC: 604/97.01		
Documentation searched other than minimum documentation to the extent that such documents are included in the fields searched USPC: all classes (text search--see keywords below)		
Electronic data base consulted during the international search (name of data base and, where practicable, search terms used) PubWEST (PGPB, USPT, EPAB, JPAB), DialogPRO (Engineering, Patent), Google Scholar Keywords: Guidewire, valve, balloon, detachable manifold, biocompatible gas, syringe, inflation, deflation, plunger, check valve, blunt needle, sealing rod, disc valve, hemostatic, silicone, support wire		
C. DOCUMENTS CONSIDERED TO BE RELEVANT		
Category*	Citation of document, with indication, where appropriate, of the relevant passages	Relevant to claim No.
Y	US 6,050,972 A (ZADNO-AZIZI et al.) 18 April 2000 (18.04.2000) col 2, ln 46-56; col 3, ln 5-49; col 8, ln 11-14; col 8, ln 62-65; col 9, ln 14-19; col 19, ln 58 to col 20, ln 13; col 21, ln 24-65; col 30, ln 26-55; col 31, ln 57 to col 32, ln 41; Fig 11	1-44
Y	US 2003/0208134 A1 (SECREST et al.) 06 November 2003 (06.11.2003) para [0025], claims 9 and 10	9 and 11
Y	US 6,544,276 B1 (AZIZI) 08 April 2003 (08.04.2003) col 26, ln 41-67	3, 22-25 and 44
Y	US 5,413,581 A (GOY) 09 May 1995 (09.05.1995) col 3, ln 21-30	3 and 22-25
Y	US 5,207,656 A (KRANYS) 04 May 1993 (04.05.1993) col 3, ln 42-47; Fig 2	14-21
Y	US 4,467,003 A (PALLARONI et al.) 21 August 1984 (21.08.1984) col 4, ln 9-19	16-21
Y	US 2005/0020998 A1 (BONNETTE et al.) 27 January 2005 (27.01.2005) para [0018]-[0022], [0057], [0062], [0064], [0065], [0076]	1-44
<input type="checkbox"/> Further documents are listed in the continuation of Box C. <input type="checkbox"/>		
* Special categories of cited documents:	"I" later document published after the international filing date or priority date and not in conflict with the application but cited to understand the principle or theory underlying the invention	
"A" document defining the general state of the art which is not considered to be of particular relevance	"X" document of particular relevance; the claimed invention cannot be considered novel or cannot be considered to involve an inventive step when the document is taken alone	
"E" earlier application or patent but published on or after the international filing date	"Y" document of particular relevance; the claimed invention cannot be considered to involve an inventive step when the document is combined with one or more other such documents, such combination being obvious to a person skilled in the art	
"L" document which may throw doubts on priority claim(s) or which is cited to establish the publication date of another citation or other special reason (as specified)	"&" document member of the same patent family	
"O" document referring to an oral disclosure, use, exhibition or other means		
"P" document published prior to the international filing date but later than the priority date claimed		
Date of the actual completion of the international search 29 July 2007 (29.07.2007)	Date of mailing of the international search report <b>26 SEP 2007</b>	
Name and mailing address of the ISA/US Mail Stop PCT, Attn: ISA/US, Commissioner for Patents P.O. Box 1450, Alexandria, Virginia 22313-1450 Facsimile No. 571-273-3201	Authorized officer: Lee W. Young PCT Helpdesk: 571-272-4300 PCT OSP: 571-272-7774	