



US00D877366S

(12) **United States Design Patent**  
**Deng**

(10) **Patent No.:** **US D877,366 S**

(45) **Date of Patent:** **\*\* Mar. 3, 2020**

(54) **RECHARGEABLE DISC NIGHT VISION LAMP**

(71) Applicant: **Shenzhen Guandexin Technology CO., LTD**, Shenzhen (CN)

(72) Inventor: **Shaobo Deng**, Shenzhen (CN)

(73) Assignee: **Shenzhen Guandexin Technology Co., Ltd.** (CN)

(\*\*) Term: **15 Years**

(21) Appl. No.: **29/678,720**

(22) Filed: **Jan. 30, 2019**

(51) **LOC (12) Cl.** ..... **26-05**

(52) **U.S. Cl.**  
USPC ..... **D26/26**

(58) **Field of Classification Search**  
USPC ..... D26/26, 24, 113, 118, 119, 120;  
D23/366, 367, 369; 362/640-644,  
362/650-653, 659; D13/108  
CPC ..... F21S 8/035; F21V 23/06; F21V 23/0442;  
F21W 2121/00; H01R 2103/00  
See application file for complete search history.

(56) **References Cited**

**U.S. PATENT DOCUMENTS**

D346,869 S \* 5/1994 Houssian ..... D26/26  
D347,288 S \* 5/1994 Ham ..... D26/26

D424,721 S \* 5/2000 Garrity ..... D26/26  
D457,974 S \* 5/2002 Piepgras ..... D26/26  
D465,859 S \* 11/2002 Lo ..... D26/26  
D525,375 S \* 7/2006 Funck ..... D26/26  
D551,362 S \* 9/2007 Ottosson ..... D26/26  
D601,281 S \* 9/2009 Howard ..... D26/26  
D601,282 S \* 9/2009 Howard ..... D26/26  
D619,275 S \* 7/2010 Pineault ..... D26/26  
D724,193 S \* 3/2015 Esses ..... D23/366  
D810,263 S \* 2/2018 Lu ..... D23/366  
D810,970 S \* 2/2018 Thompson ..... D26/26

\* cited by examiner

*Primary Examiner* — Angela J Lee

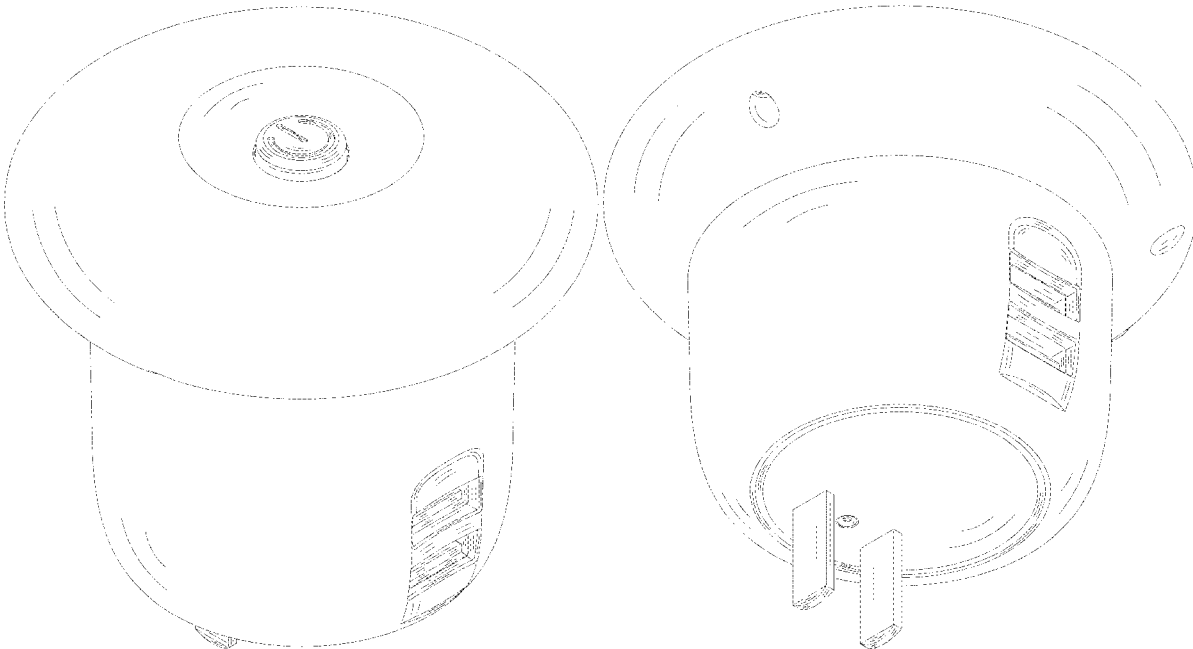
(57) **CLAIM**

The ornamental design for a rechargeable disc night vision lamp, as shown and described.

**DESCRIPTION**

FIG. 1 is a front view of a rechargeable disc night vision lamp, showing my new design;  
FIG. 2 is a back view thereof;  
FIG. 3 is a left side view thereof;  
FIG. 4 is a right side view thereof;  
FIG. 5 is a top view thereof;  
FIG. 6 is a bottom view thereof;  
FIG. 7 is a perspective view thereof; and,  
FIG. 8 is another perspective view thereof, shown with the stand in extended condition.

**1 Claim, 8 Drawing Sheets**



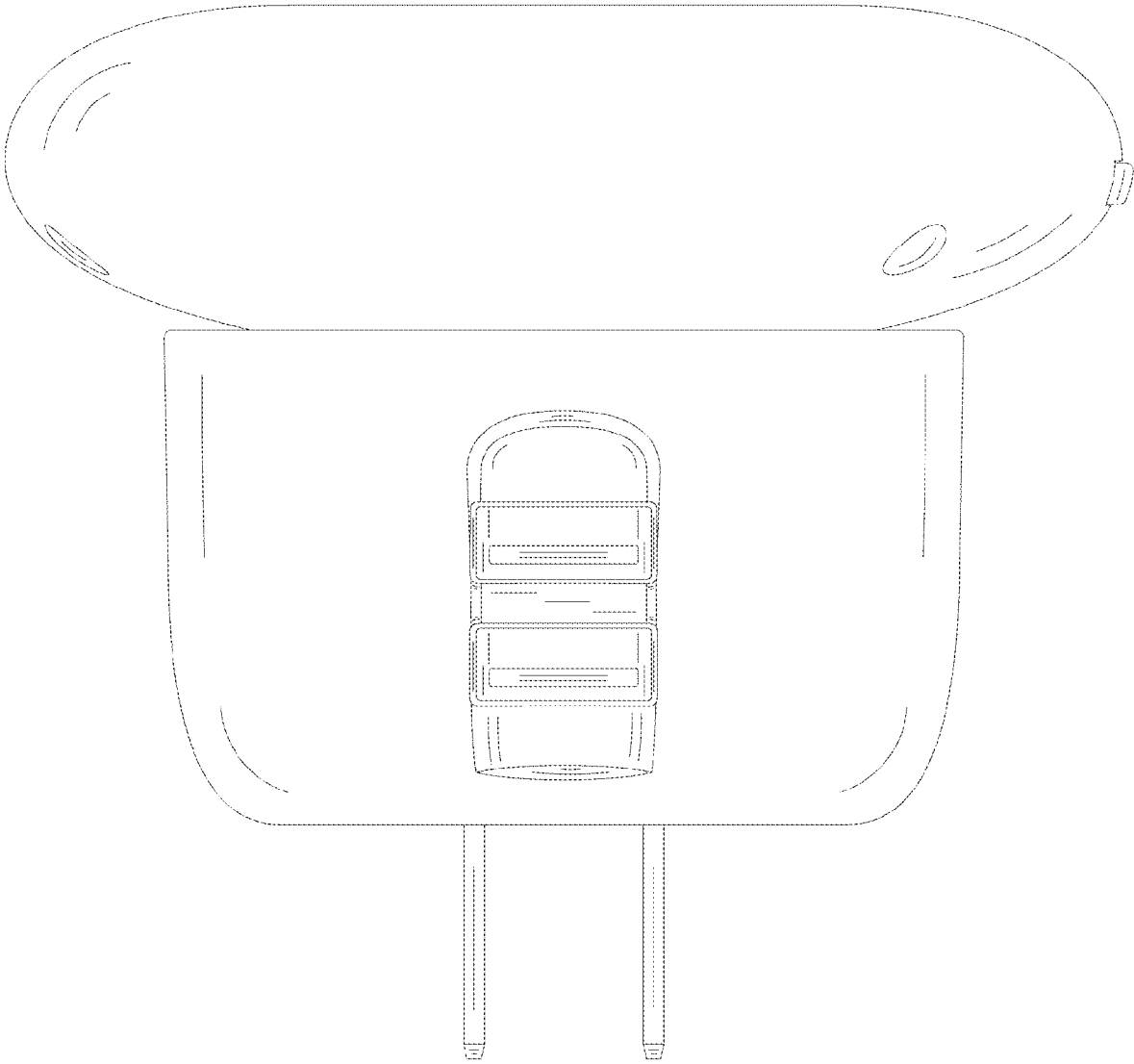


FIG. 1

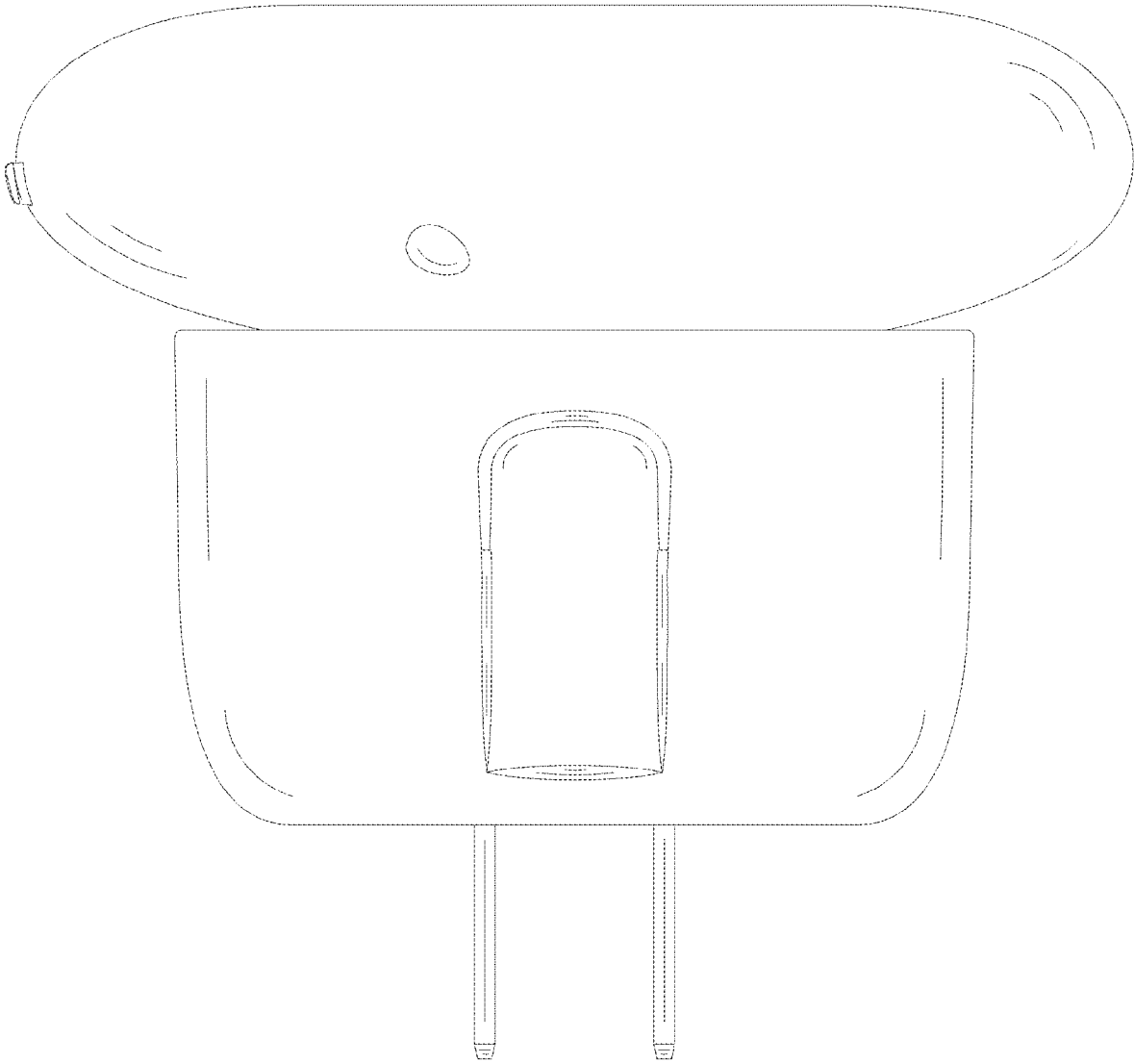


FIG. 2

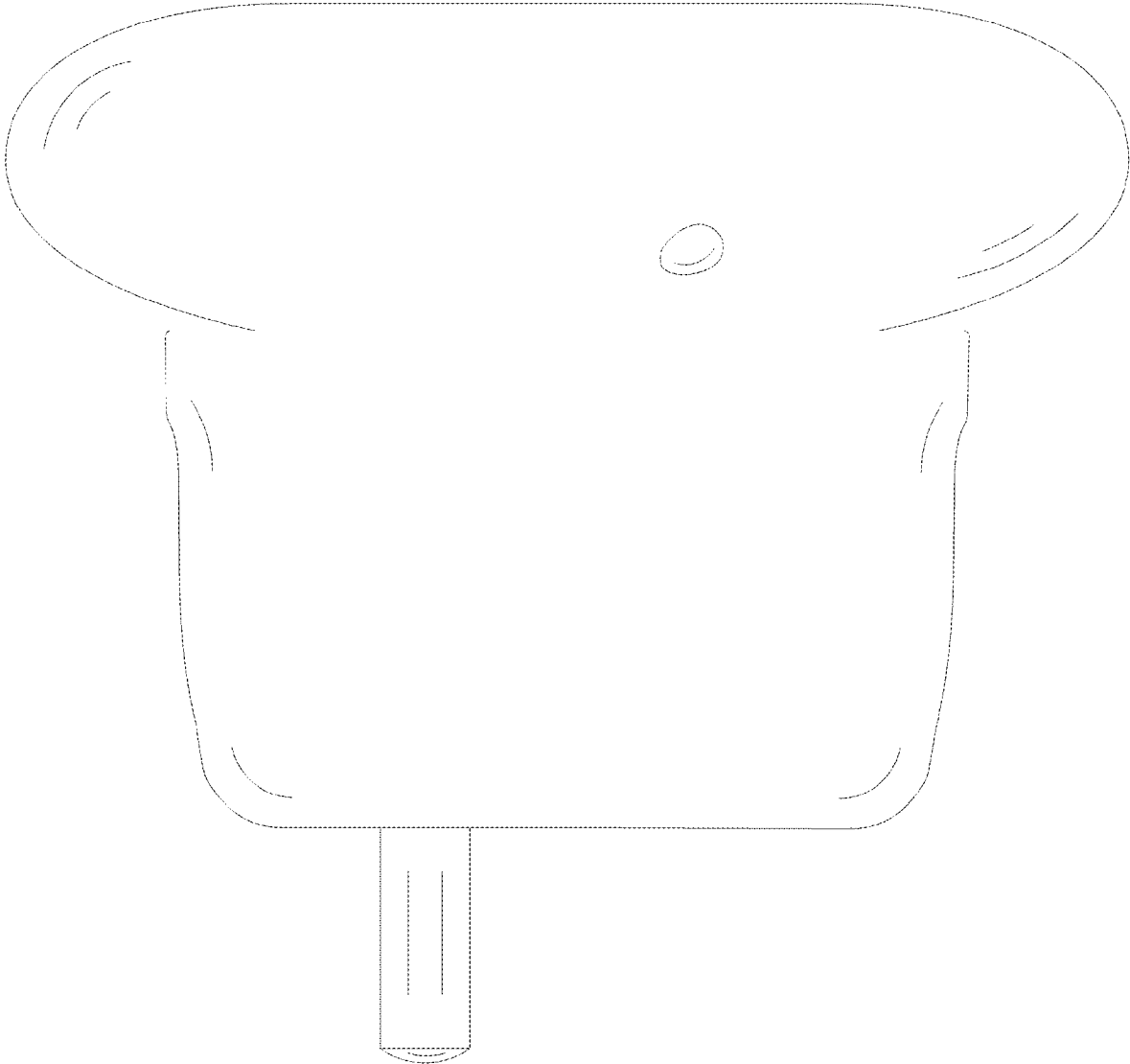


FIG. 3

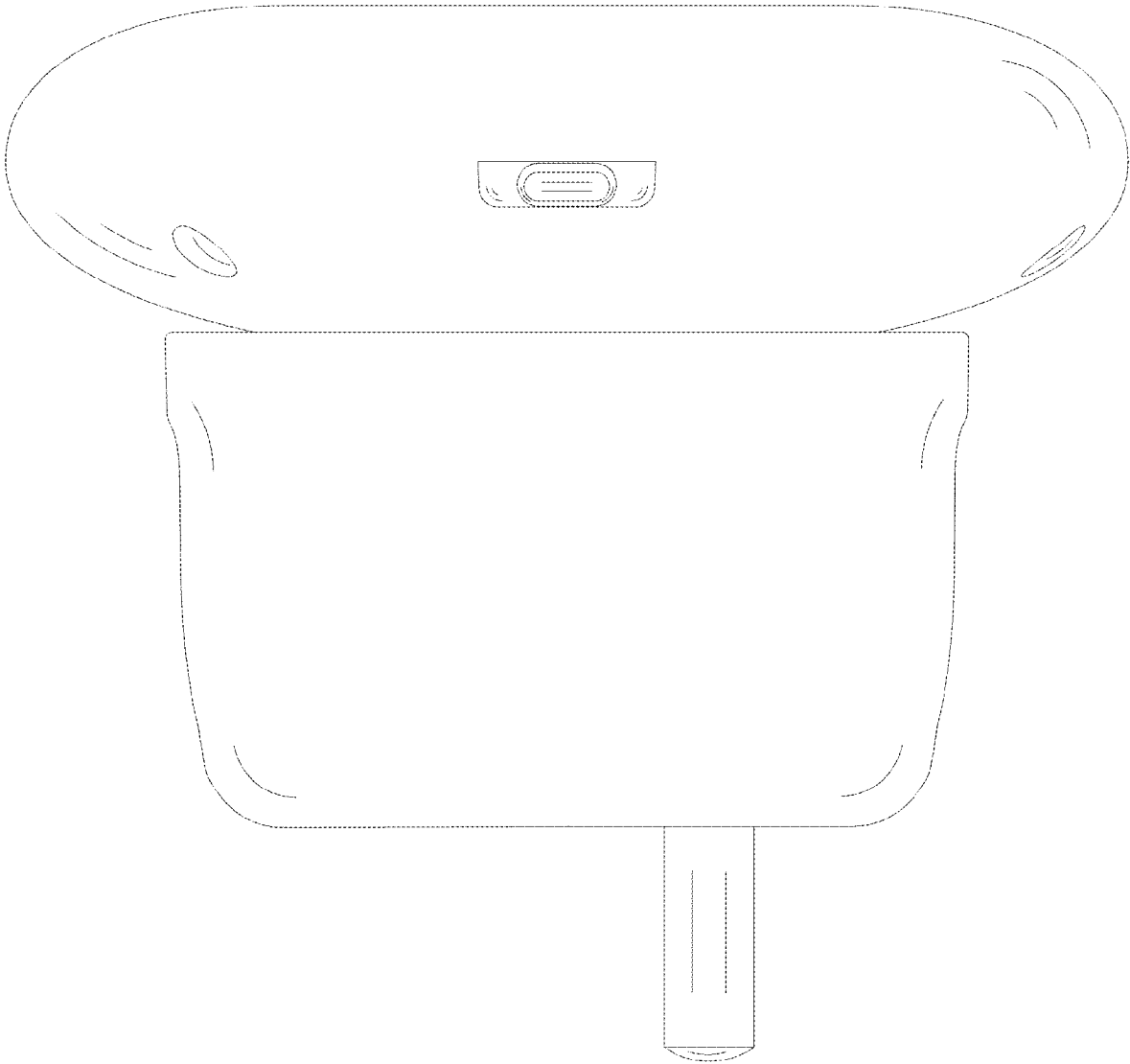


FIG. 4

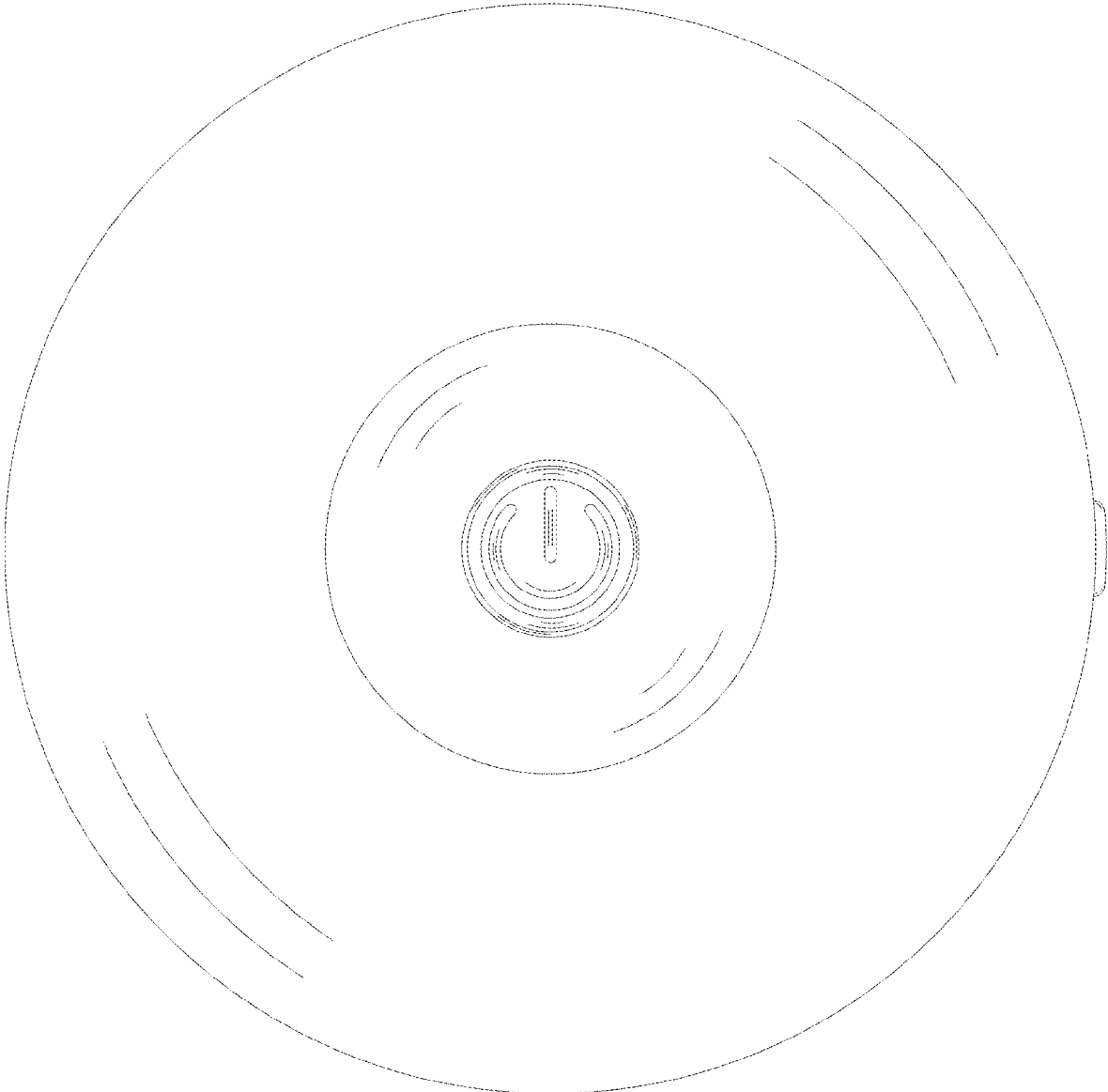


FIG. 5

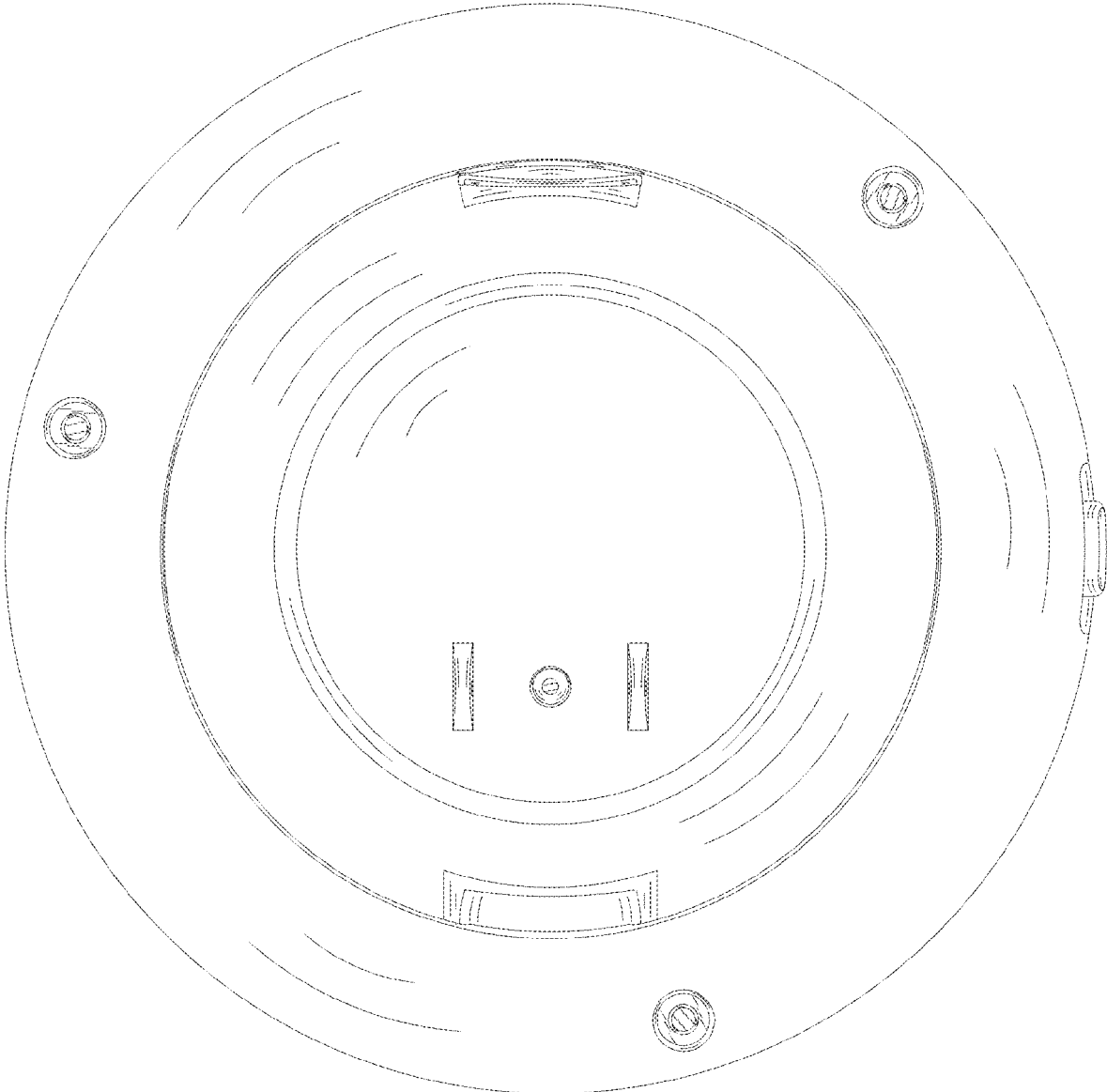


FIG. 6

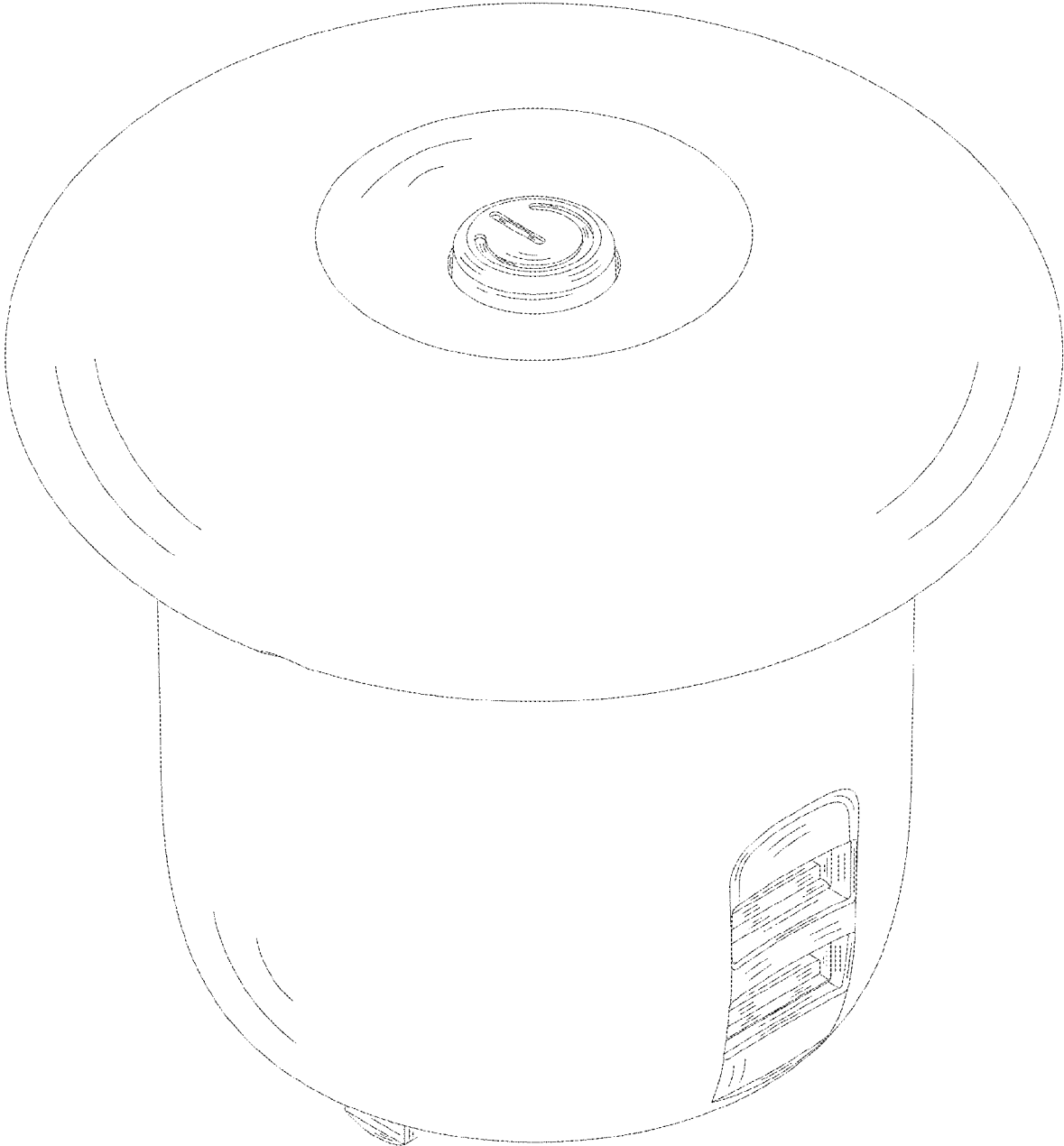


FIG. 7

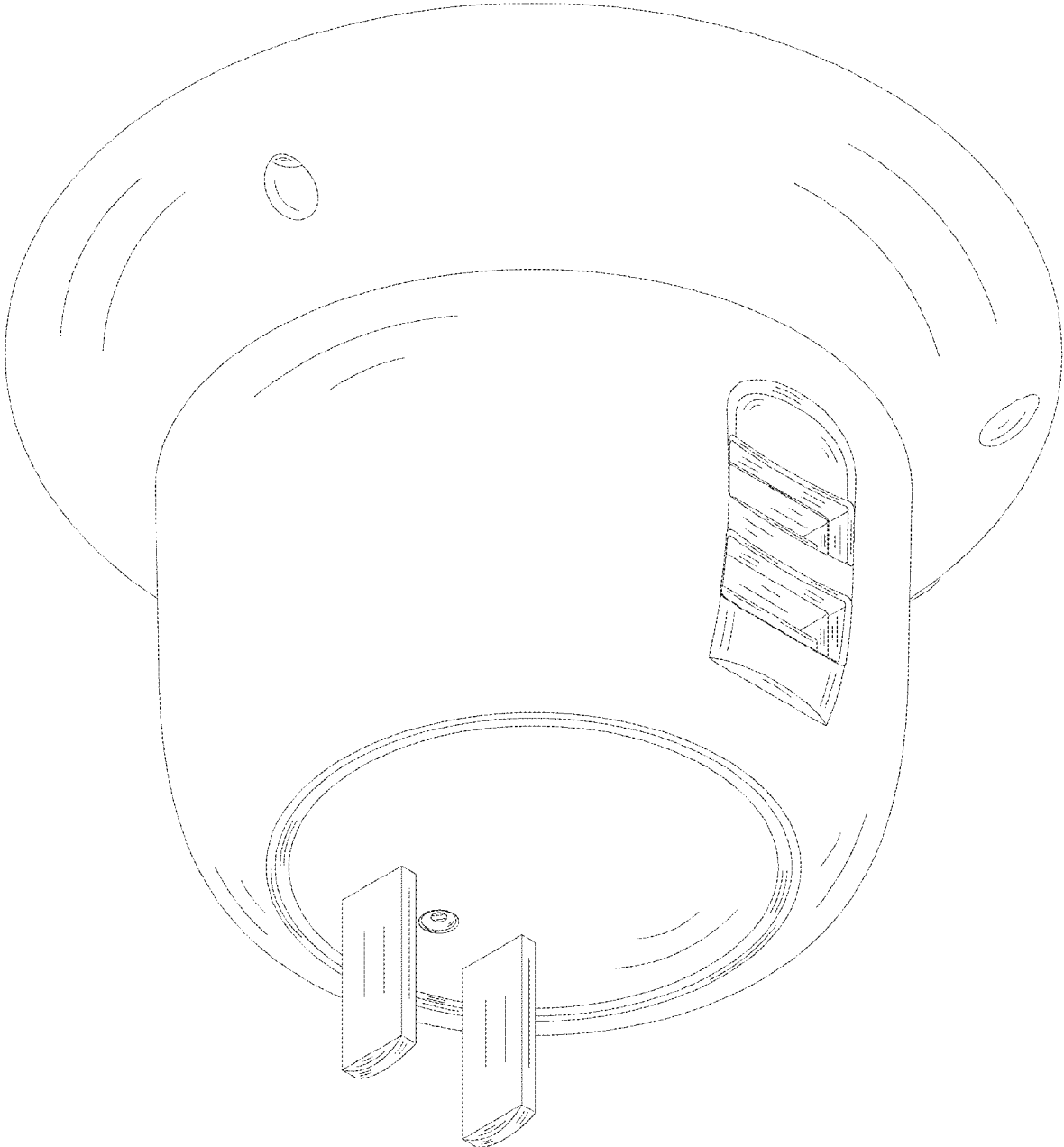


FIG. 8