



US00D689656S

(12) **United States Design Patent**  
**Lopez**

(10) **Patent No.:** **US D689,656 S**

(45) **Date of Patent:** **\*\* Sep. 10, 2013**

(54) **SWIMMING POOL CLEANER APPENDAGE**

(71) Applicant: **Pool Patch LLC**, Phoenix, AZ (US)

(72) Inventor: **Thomas V. Lopez**, Phoenix, AZ (US)

(73) Assignee: **Pool Patch LLC**, Phoenix, AZ (US)

(\*\*) Term: **14 Years**

(21) Appl. No.: **29/438,293**

(22) Filed: **Nov. 28, 2012**

(51) **LOC (9) Cl.** ..... **15-05**

(52) **U.S. Cl.**  
USPC ..... **D32/31**

(58) **Field of Classification Search**

USPC ..... D32/18, 21-24, 31; 15/320-321,  
15/327.1-327.2, 327.4, 327.6-327.7, 257.01,  
15/323, 329, 344, 347, 353, 412, 1.7; 55/337,  
55/429, 345; 95/271; 210/167.17, 167.16,  
210/167.1

See application file for complete search history.

(56) **References Cited**

**U.S. PATENT DOCUMENTS**

2,988,762	A	6/1961	Babcock	
D346,888	S *	5/1994	Stone	D32/1
5,404,607	A	4/1995	Sebor	
5,412,826	A *	5/1995	Raubenheimer	15/1.7
5,797,156	A	8/1998	Sebor	
6,112,354	A	9/2000	Stoltz et al.	
6,365,039	B1	4/2002	Henkin et al.	
6,971,136	B2	12/2005	Horvath et al.	
7,316,751	B2	1/2008	Horvath et al.	
D630,808	S	1/2011	Dye et al.	
D630,809	S	1/2011	Dye et al.	
2002/0166185	A1	11/2002	Balint	

2005/0273950	A1 *	12/2005	Stehelin	15/1.7
2006/0065580	A1	3/2006	Henkin et al.	
2007/0062733	A1	3/2007	Henkin et al.	
2009/0300862	A1 *	12/2009	Schneider et al.	15/1.7
2010/0299852	A1 *	12/2010	Fayyad	15/1.7
2010/0313363	A1 *	12/2010	Moore et al.	15/1.7
2011/0225747	A1 *	9/2011	Stoltz	15/1.7

\* cited by examiner

*Primary Examiner* — Ruth McInroy

(74) *Attorney, Agent, or Firm* — Thomas W. Galvani, P.C.;  
Thomas W. Galvani

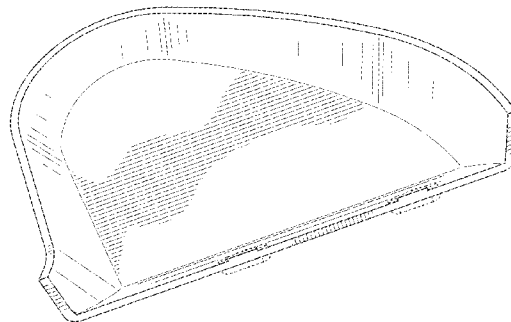
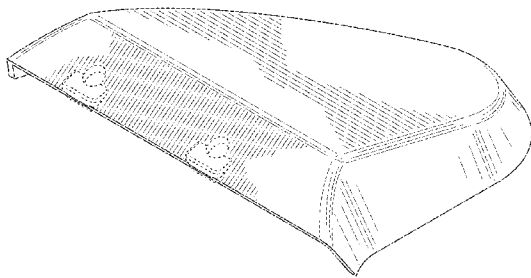
(57) **CLAIM**

The ornamental design for a swimming pool cleaner appendage, as shown and described.

**DESCRIPTION**

FIG. 1 is a top perspective view of a swimming pool cleaner appendage shown in accordance with my new design; FIG. 2 is a bottom perspective view of the swimming pool cleaner appendage of FIG. 1; FIG. 3 is a left side elevation view of the swimming pool cleaner appendage of FIG. 1; FIG. 4 is a right side elevation view of the swimming pool cleaner appendage of FIG. 1; FIG. 5 is a top plan view of the swimming pool cleaner appendage of FIG. 1; FIG. 6 is a bottom plan view of the swimming pool cleaner appendage of FIG. 1; FIG. 7 is a rear elevation view of the swimming pool cleaner appendage of FIG. 1; and, FIG. 8 is a front elevation view of the swimming pool cleaner appendage of FIG. 1. The features shown in broken lines form no part of the claimed design.

**1 Claim, 7 Drawing Sheets**



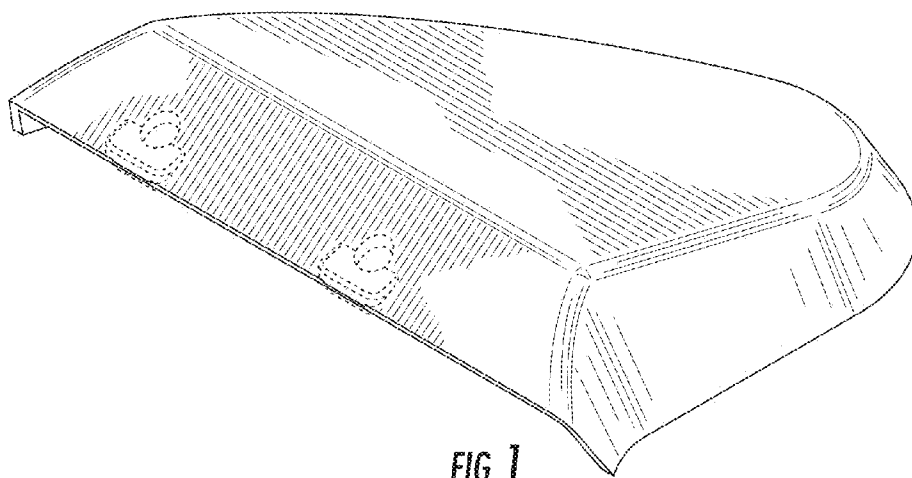


FIG. 1

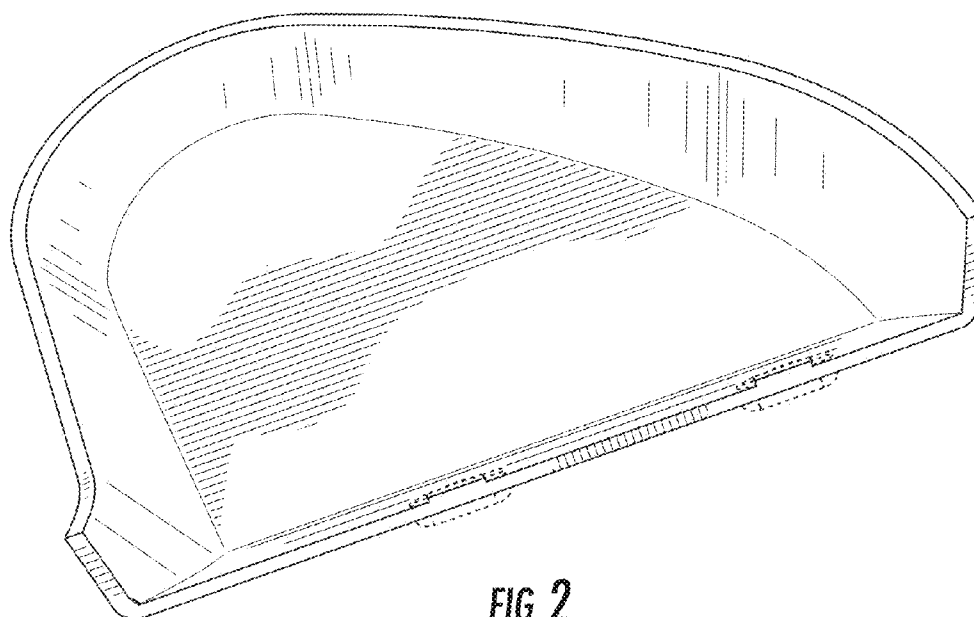


FIG. 2

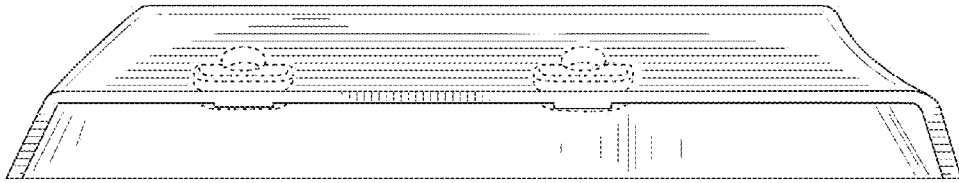


FIG. 3

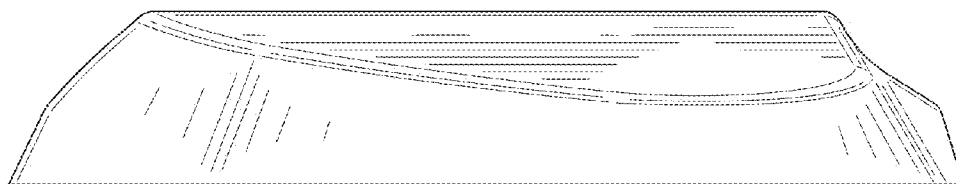


FIG. 4

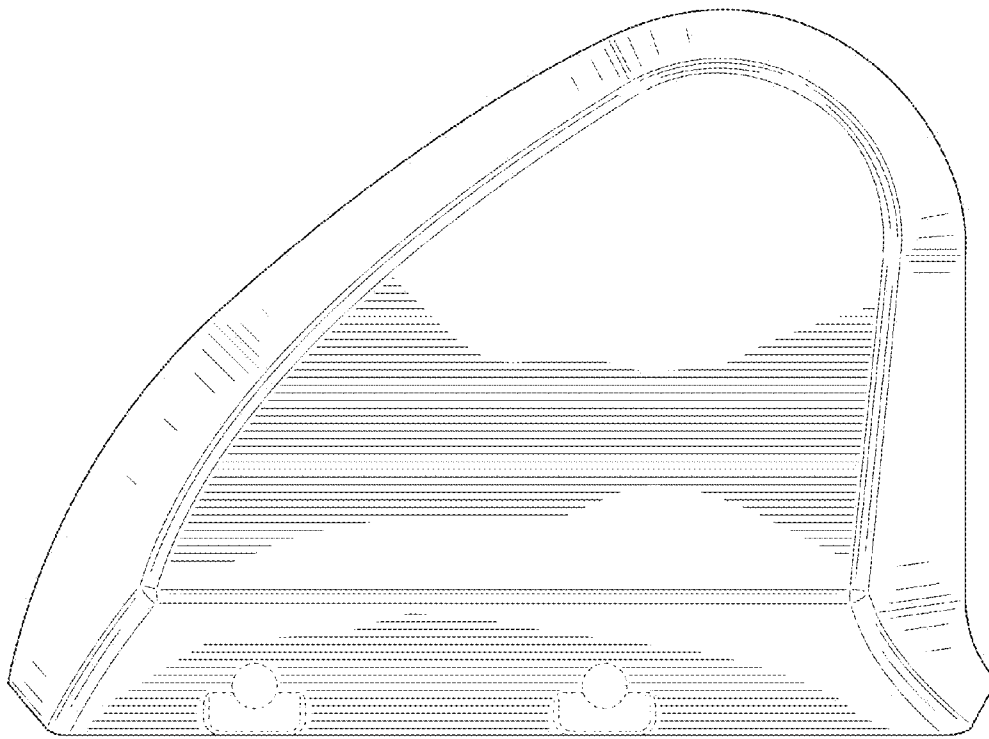


FIG. 5

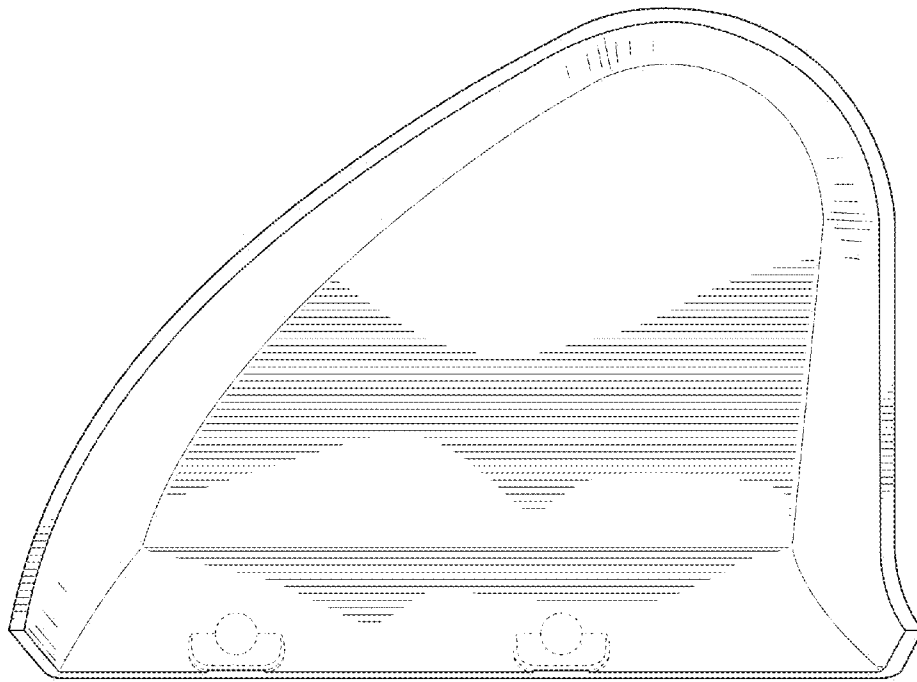


FIG. 6

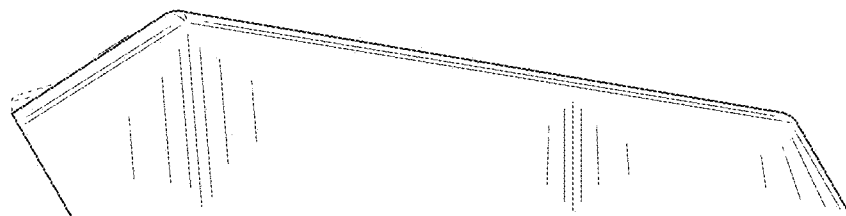


FIG. 7

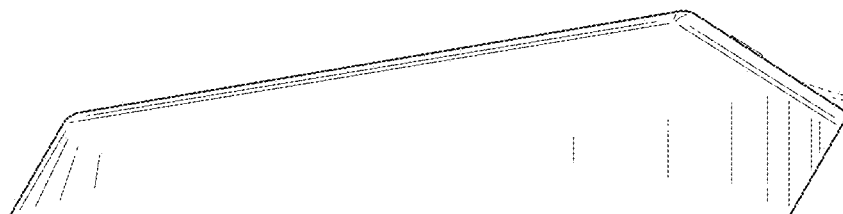


FIG. 8