



US00D492032S1

(12) **United States Design Patent**
Muller et al.

(10) **Patent No.:** **US D492,032 S**

(45) **Date of Patent:** **** Jun. 22, 2004**

(54) **IMPACT HANDLE FOR HAND HELD SURGICAL INSTRUMENTS**

(75) Inventors: **Peter H Muller**, Woodside, CA (US);
Eric N Doelling, Sunnyvale, CA (US);
Alex Hsia, San Jose, CA (US)

(73) Assignee: **Kyphon Inc.**, Sunnyvale, CA (US)

(**) Term: **14 Years**

(21) Appl. No.: **29/175,875**

(22) Filed: **Feb. 12, 2003**

(51) **LOC (7) Cl.** **24-02**

(52) **U.S. Cl.** **D24/133; D24/147**

(58) **Field of Search** **D24/133, 142, D24/147, 146, 145; 606/100, 167, 170, 94, 185, 92; 600/562, 566, 567; 81/22, 463, 489, 27; 173/162.2**

(56) **References Cited**

U.S. PATENT DOCUMENTS

6,221,029 B1 * 4/2001 Mathis et al. 606/167

6,468,279 B1 10/2002 Reo
2002/0107523 A1 * 8/2002 Naughton et al. 606/100
2003/0036763 A1 * 2/2003 Bhatnagar et al. 606/94
2003/0125747 A1 * 7/2003 Sproul 606/92

* cited by examiner

Primary Examiner—Ian Simmons

(74) *Attorney, Agent, or Firm*—Ryan Kromholz & Manion, S.C.

(57) **CLAIM**

The ornamental design of an impact handle for hand held surgical instruments, as shown and described.

DESCRIPTION

FIG. 1 is a perspective view of an impact handle for hand held surgical instruments showing my new design.

FIG. 2 is a front elevation view thereof.

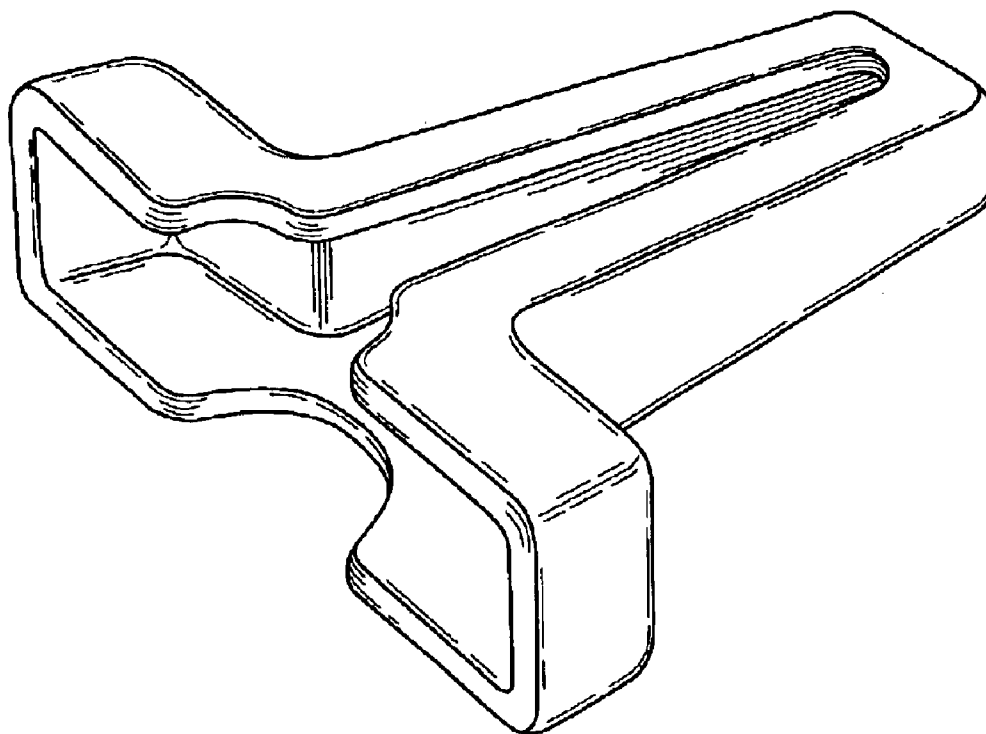
FIG. 3 is a back elevation view thereof.

FIG. 4 is a right side elevation view thereof, the left side elevation view being a mirror image thereto.

FIG. 5 is a bottom plan view thereof; and,

FIG. 6 is a top plan view thereof.

1 Claim, 2 Drawing Sheets



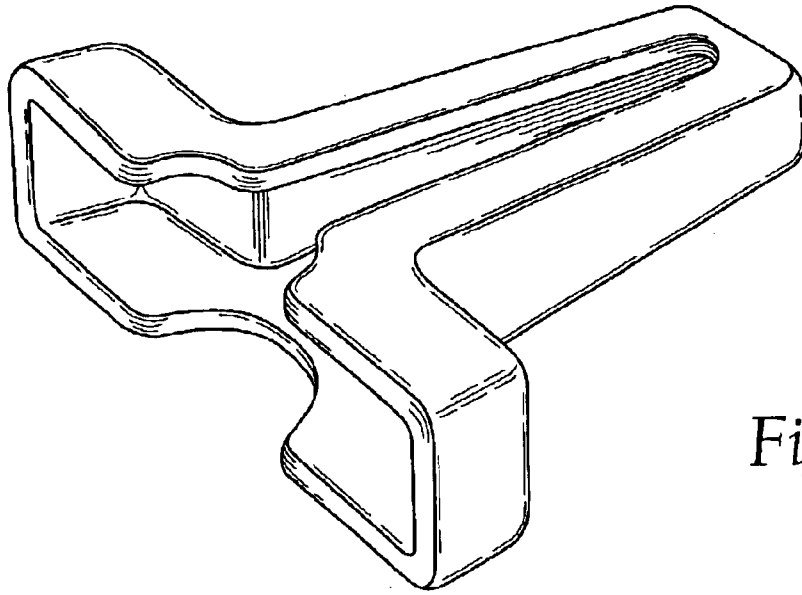
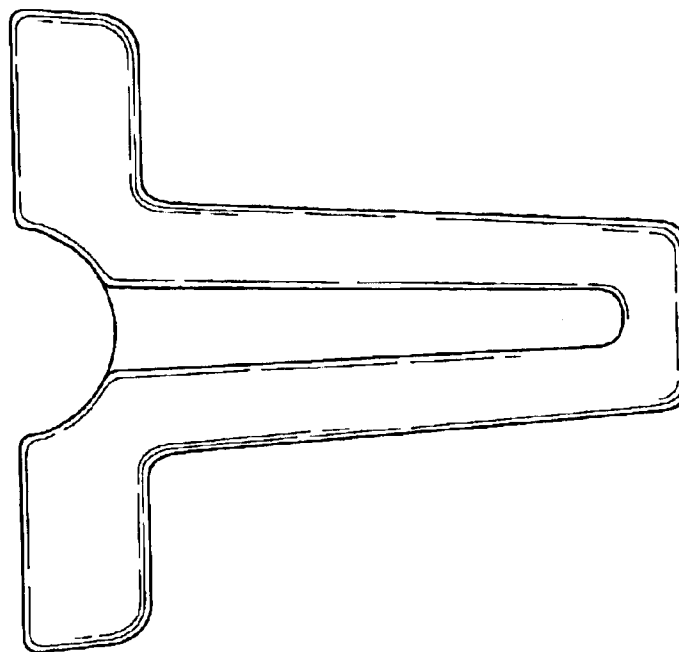


Fig. 1

Fig. 2



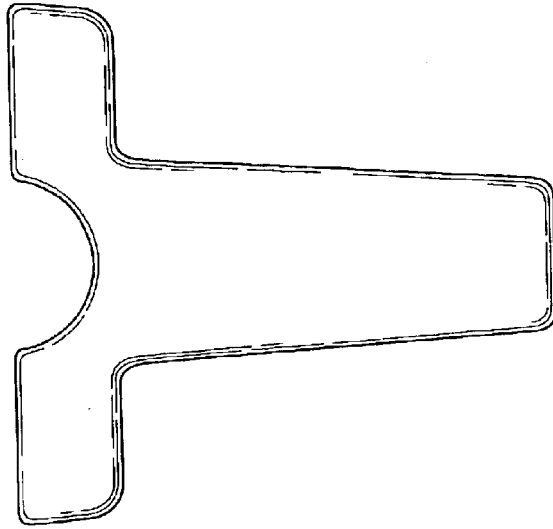


Fig. 3

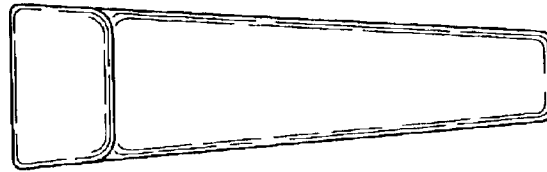


Fig. 4

Fig. 5

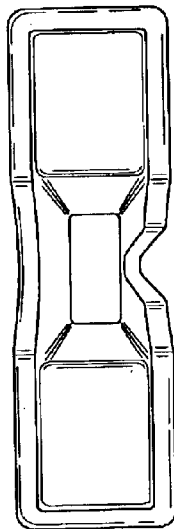


Fig. 6

