



(43) International Publication Date
18 September 2014 (18.09.2014)

- (51) International Patent Classification:
A61B 17/064 (2006.01) *A61B 17/068* (2006.01)
- (21) International Application Number:
PCT/IB2013/052000
- (22) International Filing Date:
13 March 2013 (13.03.2013)
- (25) Filing Language: English
- (26) Publication Language: English
- (71) Applicants: **MEMOMETAL TECHNOLOGIES**
[FR/FR]; Campus De Ker Lann, R Blaise Pascal, F-35170
Bruz (FR). **PEYRET, Flora** [FR/FR]; 16 Boulevard Sé-
bastopol, F-35000 Rennes (FR).
- (72) Inventors; and
- (71) Applicants : **COCAIGN, Mael** [FR/FR]; 15 Square
Amiral André Roux, Appartement 74, F-35700 Rennes
(FR). **GIROD, Loïc** [FR/FR]; 8 rue de la Livardière, F-
35580 Goven (FR).

(74) Agent: **BENECH, Frederic**; 146 - 150, avenue des
Champs-Élysées, F-75008 Paris (FR).

(81) Designated States (*unless otherwise indicated, for every
kind of national protection available*): AE, AG, AL, AM,
AO, AT, AU, AZ, BA, BB, BG, BH, BN, BR, BW, BY,
BZ, CA, CH, CL, CN, CO, CR, CU, CZ, DE, DK, DM,
DO, DZ, EC, EE, EG, ES, FI, GB, GD, GE, GH, GM, GT,
HN, HR, HU, ID, IL, IN, IS, JP, KE, KG, KM, KN, KP,
KR, KZ, LA, LC, LK, LR, LS, LT, LU, LY, MA, MD,
ME, MG, MK, MN, MW, MX, MY, MZ, NA, NG, NI,
NO, NZ, OM, PA, PE, PG, PH, PL, PT, QA, RO, RS, RU,
RW, SC, SD, SE, SG, SK, SL, SM, ST, SV, SY, TH, TJ,
TM, TN, TR, TT, TZ, UA, UG, US, UZ, VC, VN, ZA,
ZM, ZW.

(84) Designated States (*unless otherwise indicated, for every
kind of regional protection available*): ARIPO (BW, GH,
GM, KE, LR, LS, MW, MZ, NA, RW, SD, SL, SZ, TZ,
UG, ZM, ZW), Eurasian (AM, AZ, BY, KG, KZ, RU, TJ,
TM), European (AL, AT, BE, BG, CH, CY, CZ, DE, DK,
EE, ES, FI, FR, GB, GR, HR, HU, IE, IS, IT, LT, LU, LV,
MC, MK, MT, NL, NO, PL, PT, RO, RS, SE, SI, SK, SM,

[Continued on next page]

(54) Title: ADJUSTABLE FORCEPS FOR OSTEOSYNTHESIS CLIP

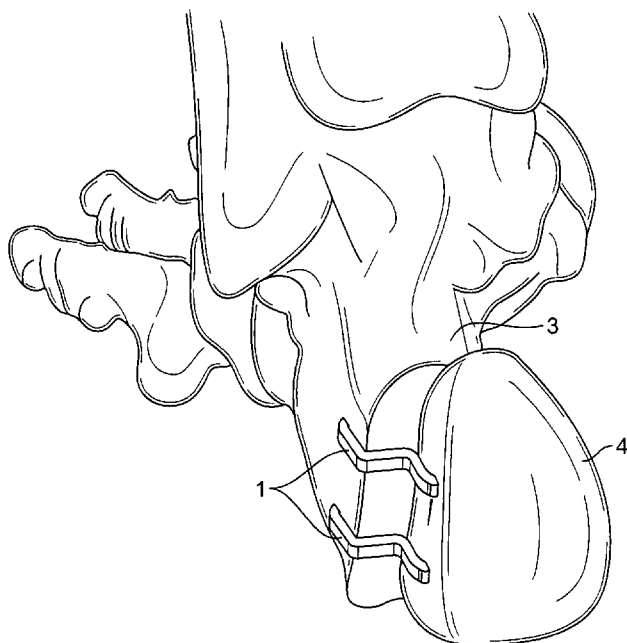


FIG. 1
(Prior Art)

(57) Abstract: A system and method for the manip-
ulation and insertion of an osteosynthesis clip (100,
200, 300) is provided. The system includes an osteo-
synthesis clip and an instrument (10). The osteo-
synthesis clip includes a base (103, 104) having first
and second portions, a thickness, and first and
second flanges (107, 108) that extend from the base
in which the flanges also have a thickness. The in-
strument of the system includes a distal end (14)
and at least a jaw (80), extending from the distal
end. The jaw is dimensioned to receive one of the
thicknesses of the base and at least one of the
flanges. The jaw is movable to a plurality of jaw po-
sitions relative to the distal end.

TR), OAPI (BF, BJ, CF, CG, CI, CM, GA, GN, GQ, GW, ML, MR, NE, SN, TD, TG). **Published:**

— with international search report (Art. 21(3))

ADJUSTABLE FORCEPS FOR OSTEOSYNTHESIS CLIP

FIELD OF THE INVENTION

[0001] The present invention relates to surgical tools for treatment of patients requiring osteosynthesis, and more particularly to tools for the insertion of stepped osteosynthesis clips.

BACKGROUND OF THE INVENTION

[0002] A displacement osteotomy procedure may be performed to correct misalignment of bones and joints. This technique is often used in the calcaneus when heel valgus or varus conditions are present, which are frequently associated with pes planus, *i.e.*, flat foot, or with pes cavus, *i.e.*, high arch foot. For such conditions, a displacement osteotomy is used for medializing for flatfoot or lateralizing for pes cavus to enable a surgeon, or other qualified person, to reposition the heel and realign it with the longitudinal axis of the tibia, eventually leading to correction of the associated foot deformity. Stepped osteosynthesis clips are often used for performing osteosynthesis in connection with these procedures. These stepped clips are often in the form of a staple having an offset crown or base and a pair of opposing legs or flanges extending from the crown. Stepped staples allow for quick and easy bone fixation, are minimally invasive, and have low complication rates. FIG. 1 is an example of the use of stepped staples. In this example, two staples 1 have been inserted into adjacent anterior and posterior portions 3, 4 of a severed calcaneus bone. As shown, the posterior portion 4 of the bone is offset.

[0003] Superelastic staples made of nitinol alloy have been in use for more than two decades in the orthopaedic field. Typically, these staples are in a normally closed position when no constraints, such as external forces or temperature changes, are applied. Thus, forceps or clamps that apply and maintain a load to the legs of an osteosynthesis clip until

the legs are in an open, generally parallel, position are commonly used to insert these staples into pre-drilled holes during an osteotomy procedure. One example of these types of forceps is discussed in U.S. Patent No. 8,137,351, the disclosure of which is hereby incorporated by reference herein. Current designs of clamps for osteosynthesis staples are adaptable to different widths of the crowns and lengths of the legs of staples. However, current forceps are not designed for use with clips having an offset crown.

[0004] Therefore, there is a need to provide a device that is operable with stepped osteosynthesis clips having an offset crown.

BRIEF SUMMARY OF THE INVENTION

[0005] In accordance with an embodiment, an instrument for the manipulation and insertion of an osteosynthesis clip may be provided. The osteosynthesis clip may include a base having a thickness and may include at least first and second flanges. The first and second flanges may extend from the base and may have a thickness.

[0006] The instrument may include a first distal end. The instrument may include a second distal end attached to the first distal end. The instrument may include a jaw assembly. The jaw assembly may extend from the second distal end. The jaw assembly may be dimensioned to receive one of the thicknesses of the base and at least one of the flanges. The jaw assembly may be movable to a plurality of positions relative to the second distal end.

[0007] In some arrangements, the instrument may include a first arm. The first arm may include the first distal end. The instrument may include a second arm. The second arm may be attached to the first arm and may include the second distal end. The respective first and second distal ends of the first and second arms may be separable to a plurality of arm positions from each other.

[0008] Continuing with this embodiment, at least a first jaw may be attached to the first distal end. The first jaw may be dimensioned to receive the thickness of at least one of the first portion of the base and the first flange. The jaw assembly may include at least a pair of second jaws may extend from the second distal end. The pair of second jaws may be dimensioned to receive the thickness of at least one of the second portion of the base and the second flange. The pair of second jaws may be moveable to the plurality of positions relative to the second distal end.

[0009] In some arrangements, the plurality of positions of the pair of second jaws may include at least first and second positions. In some arrangements, the pair of second jaws may be moveable to at least first and second positions when the respective first and second distal ends of the first and second arms are separated by any of the plurality of arm positions.

[0010] In some arrangements, the first and second arms may be connected and may be pivotal about a joint. In some such arrangements, the respective first and second distal ends of the first and second arms may be separable upon pivotal movement about the joint.

[0011] In some arrangements, the second distal end may have a bore. The bore may extend at least partially into the second distal end. In some arrangements, a post may be slideable within the bore. In some such arrangements, the pair of second jaws may extend from the post.

[0012] In some arrangements, a post may be extendable from the second distal end. In some such arrangements, the pair of second jaws may be attached to the post. In some arrangements, a fastener may be attached to the second distal end. In some arrangements, the fastener may be moveable from a first position to a second position in a direction transverse to the movement of the pair of second jaws. In

some arrangements, the fastener may not be engaged with the post in the first position of the fastener such that the post may be extendable from the second distal end. In some arrangements, the fastener may be engaged with the post in the second position of the fastener such that the post is not extendable from the second distal end.

[0013] In some arrangements, the post may include at least one notch. In some such arrangements, a distal end of the fastener may be dimensioned to be received in the one or more notches to set the post at a predetermined location relative to the second distal end.

[0014] In some arrangements, the instrument may include a post which may extend from the second distal end. In some such arrangements, the pair of second jaws may be attached to the post. In some arrangements, the instrument may include an adjustment mechanism for engagement with a post. In some such arrangements, the post may be in a first post position at a first position of the adjustment mechanism and may be in a second post position at a second position of the adjustment mechanism.

[0015] In some arrangements, the instrument may include a post that may extend from the second distal end. In some such arrangements, a measurement marker may be placed on the post. In some arrangements, the pair of second jaws may be attached to the post. In some such arrangements, the measurement marker may provide a marker for determining the relative location of one or both of the post and the pair of second jaws to the second distal end.

[0016] In some arrangements, the first jaw attached to the first distal end may define a first channel. In some arrangements, the pair of second jaws extending from the second distal end may define a second channel. In some arrangements, the first and second channels may face in opposite directions. In some arrangements, the first and

second channels may receive the thickness of the one or more of the first and second portions of the base and the first and second flanges.

[0017] In accordance with another embodiment, a system for the manipulation and insertion of an osteosynthesis clip may be provided. The system may include an osteosynthesis clip and an instrument. The osteosynthesis clip may include a base. The base may have first and second portions. The base may have a thickness and may have at least first and second flanges extending from the base. The flanges may have a thickness.

[0018] The instrument may include a first distal end and may include at least a first jaw. The first jaw may extend from the distal end and may be dimensioned to receive one of the thickness of the base and at least one of the flanges. The first jaw may be movable to a plurality of jaw positions relative to the first distal end.

[0019] In some arrangements, the instrument may include a first arm. The first arm may include the first distal end. A second arm may be connected to the first arm at a joint. The second arm may include a second distal end and may include at least a second jaw attached to the second distal end. The second jaw may be dimensioned to receive the thickness of at least one of the first portion of the base and the first flange of the at least one osteosynthesis clip. In some arrangements, the first and second arms may be pivotal to separate the first and second distal ends from each other. In some arrangements, the first and second portions of the base may be offset from each other prior to being received in the first jaw and the second jaw, respectively. In some arrangements, the osteosynthesis clip may be a stepped staple.

[0020] In some arrangements, the system may include a plurality of osteosynthesis clips. In some arrangements, the first and second portions of the base of a first clip may be

offset from each other a first distance prior to being received in the first jaw and the second jaw, respectively. In some arrangements, the first and second portions of the base of a second clip may be offset from each other a second distance different than the first distance prior to being received in the first jaw and the second jaw, respectively.

[0021] In some arrangements, profiles of each of the first and second flanges of the osteosynthesis clip and the first and second arms may lie in the same plane. In some arrangements, such profiles may lie in the same plane when one or both of the first portion of the base and the first flange are received in the first jaw. In some arrangements, such profiles may lie in the same plane when one or both of the second portions of the base and the second flange are received in the second jaw.

[0022] In some arrangements, the first distal end may have a bore. In some such arrangements, the bore may extend into the first distal end. In some such arrangements, the system may include a post which may be slideable within the bore. In some such arrangements, the first jaw may extend from the post.

[0023] In some arrangements, the system may include a post and may include a fastener. In some such arrangements, the post may be extendable from the first distal end. In some such arrangements, the first jaw may be attached to the post. In some arrangements, the fastener may be attached to the first distal end. In some arrangements, the fastener may be moveable from a first position to a second position in a direction transverse or substantially transverse to the movement of the first jaw. In some arrangements, the fastener may not be engaged with the post in the first position of the fastener such that the post may be extendable from the first distal end. In some arrangements, the fastener may be engaged with the post in the second position of the fastener such that

the post may not be extendable from the first distal end. In some such arrangements, the post may include at least one notch. In some such arrangements, the distal end of the fastener may be dimensioned to be received in the one or more notches. In some arrangements, the post may be set at a predetermined location relative to the first distal end when the fastener is received in the one or more notches.

[0024] In accordance with an embodiment, a system for the manipulation and insertion of an osteosynthesis clip may be provided. The system may include at least one osteosynthesis clip and an instrument. The osteosynthesis clip may include a base having at least first and second portions. The osteosynthesis clip may have a thickness and may have at least first and second flanges extending from the base. The first and second flanges may have a thickness.

[0025] The instrument may include a pair of arms connected at a joint. Each of the pair of arms may have first and second distal ends, respectively. The pair of arms may be pivotal to separate the first and second distal ends from each other. The instrument may include at least a first jaw. The first jaw may be attached to the first distal end and may be dimensioned to receive the thickness of at least one of the first portion of the base and the first flange of the one or more osteosynthesis clips. The instrument may include at least a pair of second jaws. The pair of second jaws may be attached to the second prong and may be dimensioned to receive the thickness of at least one of the second portion of the base and the second flange of the one or more osteosynthesis clips. The pair of second jaws may be moveable to at least first and second jaw positions relative to the second distal end.

[0026] In some arrangements, the instrument may include a post. In some arrangements, the post may be extendable from the first distal end. In some arrangements, the first jaw

may be attached to the post. In some arrangements, the instrument may include an adjustment mechanism for engagement with the post. In some such arrangements, the post may be in a first position at a first position of the adjustment mechanism. In some such arrangements, the post may be in a second position at a second position of the adjustment mechanism.

[0027] In some arrangements, the second portion of the base of the osteosynthesis clip may be closer to the first portion of the base of the osteosynthesis clip when the first jaw is in the first jaw position than when the first jaw is in the second jaw position.

[0028] In accordance with another embodiment, an instrument for the manipulation and insertion of an osteosynthesis clip may be provided. The osteosynthesis clip may include a base. The base may have at least first and second portions. The base may have a thickness and may have at least first and second flanges. The first and second flanges may extend from the base and may have a thickness. The instrument may include a first arm. The first arm may have a first distal end. The instrument may include a second arm. The second arm may be attached to the first arm and may have a second distal end. The respective distal ends of the first and second arms may be separable to a plurality of arm positions from each other.

[0029] Continuing with this embodiment, at least a first jaw may be attached to the first distal end. The first jaw may be dimensioned to receive the thickness of at least one of the first portion of the base and the first flange. At least a pair of second jaws may extend from the second distal end. The pair of second jaws may be dimensioned to receive the thickness of at least one of the second portion of the base and the second flange. The pair of second jaws may be moveable to a plurality of positions relative to the second distal end.

[0030] In accordance with another embodiment, a method for preparing an osteosynthesis clip for insertion into bone tissue is provided. In one step, an osteosynthesis clip may be provided. The osteosynthesis clip may include a base. The base may have at least first and second portions. The base may have a thickness and may have at least first and second flanges. The flanges may extend at an angle from the base. The flanges may have a thickness. In another step, an instrument may be provided. The instrument may have at least first and second jaws. In another step, a first portion of the base may be received into a first channel. The first channel may be defined by at least the first jaw attached to a first arm on a first distal end thereof. In another step, the second jaw may be adjusted to one of a plurality of positions. The second jaw may define a second channel and may be attached to a second arm on a second distal end of the arm. The distal ends of the first and second arms may be separable to separate the prongs by at least both of first and second distances from each other. In another step, the second portion of the base may be received into the second channel in the one of the plurality of positions.

[0031] In accordance with another embodiment, a method for preparing an osteosynthesis clip for insertion into tissue is provided. In one step, a plurality of osteosynthesis clips is provided. Each of the osteosynthesis clips may include a base. The base of each of the plurality of osteosynthesis clips may have a thickness and a different offset than the offset of the other of the plurality of osteosynthesis clips. The plurality of the osteosynthesis clips may have at least first and second flanges extending from the base and may have a thickness. In another step, an instrument may be provided. The instrument may have a first distal end. The first distal end may include at least a first jaw. The instrument may include a second distal end. The second distal end may

include at least a second jaw. The second jaw may be adjustable to a plurality of positions relative to the second distal end. In another step, one osteosynthesis clip of the plurality of osteosynthesis clips may be selected. In another step, the second jaw may be adjusted to one of the plurality of positions relative to the offset of the selected osteosynthesis clip. The second jaw may be adjustable relative to the offset of each of the plurality of osteosynthesis clips. In another step, the osteosynthesis clip selected may be positioned at the first and second distal ends of the instrument. The first and second jaws may engage at least a portion of the base of the clip.

BRIEF DESCRIPTION OF THE DRAWINGS

[0032] FIG. 1 is a perspective view of a posterior of a foot having a pair of staples inserted therein as known in the prior art.

[0033] FIG. 2 is a plan view of an instrument for the manipulation and insertion of an osteosynthesis clip in accordance with an embodiment.

[0034] FIGS. 3(A)-(C) are cross-sectional plan views of a portion of a system in accordance with an embodiment, the system including the instrument of FIG. 2, a portion of which is illustrated.

[0035] FIGS. 4 is a perspective view of the portion of the system illustrated in FIG. 3(C).

[0036] FIGS. 5(A) and 5(B) are perspective views of portions of the system illustrated in FIG. 3(C) and the foot illustrated in FIG. 1 during one embodiment of a use of the system.

DETAILED DESCRIPTION

[0037] Where reference is or has been made herein to directional terms such as "proximal," "proximal most," "distal," and "distal most," it is to be understood that "proximal" and "proximal most" refer to locations closer to a

user or operator of the device or method being described and that "distal" and "distal most" refer to locations further from a user or operator of the device or method being described. Where reference is or has been made herein to directional terms such as "anterior," "posterior," "medial," and "lateral," it is to be understood that such terms refer to their common usage relative to human anatomy, *i.e.*, "anterior" and "posterior" refer to relative positions along the anteroposterior axis passing through the front and back of a person, respectively, whereas "medial" and "lateral" refer to relative positions along the mediolateral axis perpendicular to the anteroposterior axis and passing through the center as well as the left and right sides of a person.

[0038] Referring to FIG. 2, an instrument 10 may include a first arm 11 and a second arm 12, which may be attached at a joint 19. The joint may be formed by a fastener such as a screw, as shown, or a rivet as well as by other mechanisms of connection known to those of ordinary skill in the art. The joint 19 may be formed on distal ends 13, 14 of each of the respective first and second arms 11, 12 allowing for the first and second arms 11, 12 to pivot about the joint 19 through a plurality of relative angular positions. The first and second arms 11, 12 may include respective first and second prongs 17, 18 at distal-most portions of the respective distal ends 13, 14 of the arms 11, 12.

[0039] As shown, the arms 11, 12 may be convex at each of the respective distal ends 13, 14 such that the first and second prongs 17 and 18 thereof may simultaneously extend in the distal direction such that the first and second prongs 17, 18 may be substantially parallel. The arms 11, 12 may be concave at the proximal ends 15, 16, which may provide an easier grip for a user of the instrument 10. As shown the arms 11, 12 may have substantially flat upper and lower surfaces. In alternative arrangements, the arms may be shaped

differently such as to have alternative shapes and configurations including but not limited to straight proximal ends, cylindrical cross-sections, and the like.

[0040] As further shown in FIG. 2, the instrument 10 may include a rod 20 extending between the first and second arms 11, 12. As shown, a connection joint 22 may attach the rod 20 to the proximal end 16 of the second arm 12, although, in other arrangements, a connection joint may attach the rod to the first arm. The connection joint 22 may be a fastener such as a screw, as shown, or a rivet as well as by other mechanisms of connection known to those of ordinary skill in the art. As shown, the rod 20 may pass through the first arm 11 (or alternatively the second arm 12), such as through a slot (not shown) on the proximal end 15 of the first arm 11, such that the first arm 11 may be moved along and relative to the rod 20. In an alternative arrangement, the rod may have a slot through which the arm may pass to function in the same manner.

[0041] An inner stop 24 may be positioned onto the rod 20 between the first and second arms 11, 12. The inner stop 24 may be adjustable to fixed positions along the rod 20 to prevent contact between the respective proximal ends 15, 16 of the first and second arms 11, 12 and to limit a range of motion of the arms. As shown, an outer stop 26 may be positioned onto the rod 20 adjacent to the proximal portion 15 of the first arm 11 and outside of a space between the first and second arms 11, 12, although in alternative arrangements, the outer stop may be positioned adjacent to the proximal portion of the second arm. The outer stop 26 may be adjustable to fixed positions along the rod 20 to prevent movement of the proximal end 15 of the first arm 11 in a direction away from the second arm 12. In this manner, as illustrated, the inner stop 24 and the outer stop 26 may interact on opposite sides of the arm 15 to limit the movement

of the arm 15 between the inner stop 24 and the outer stop 26. These stops 24, 26, while limiting movement of arms 15, 16 relative to one another, may also limit one or both of movement and alteration of a clip positioned at the distal prongs 17, 18, as will be discussed further below. In some arrangements, the rod 20 may have threads 21 that run along at least a portion of a length of the rod 20 and one or both of the inner stop 24 and the outer stop 26 may have internal threads running therethrough, respectively such that one or both of the inner stop 24 and the outer stop 26 may be rotated to be translated along the rod 20 to respective fixed positions along the rod 20. In alternative arrangements, the rod may be a rail which may have teeth along at least a portion thereof which may interface with inner and outer stops for engagement therewith.

[0042] The instrument 10 may include a compression element 30 which may act against a force applied to one or both of the first and second arms 11, 12 to prevent movement of one or both of the arms 11, 12 in a direction towards the other arm. As shown, such an element may be but is not limited to a leaf spring. The compression element 30 may have first and second compression elements 31, 32, which may be leaves of a leaf spring, that are joined together at a joint 34 at a respective ends of the first and second compression elements 31, 32 and joined to the respective first and second arms 11, 12 against which the compression element may act, respectively.

[0043] As further shown in FIG. 2 and in greater detail in FIGS. 3(A)-3C, a first jaw 60 may be engaged with the first prong 17 on the distal end 13 of the first arm 11 and a pressure screw 40 and a post 50 may be engaged with the second prong 18 on the distal end 14 of the second arm 12. Referring to FIGS. 3(A)-3(C), the post 50 may be inserted into a bore 73, which may be a blind hole, extending in a proximal direction from a distal most portion of the prong 18 to a

bottom 74 of the bore 73. At least a portion of the post 50 that interfaces with the bore 73 may be cylindrical or, as shown, the post 50 may have a perimeter including at least first and second post surfaces 51, 52 that may slide along the bore 73. In such arrangements, the perimeter of the post 50 may be only slightly smaller than the bore 73 such that the post may be inserted into the bore 73 and not experience any significant angulation or other undesirable relative movement or play. The post 50 may have a post bottom 53 that may abut the bottom 74 of the bore 73 and in this manner may act as a physical hard stop for the post 50. As shown, the post bottom 53 and bottom 74 of the bore 73 may have reciprocal chamfers for engagement with each other and for ease of manufacturing, although in other arrangements, the bottom 74 may be flat along at least a portion thereof to allow for contact with a corresponding flat surface of the post bottom 53.

[0044] The post 50 may further include a plurality of notches that may be inset from the second post surface 52, such as the notches 54-56 designated in FIGS. 3(A)-3(C), respectively. As shown in these figures, each of the notches 54-56 may be placed in series along the post 50 in the proximal-distal direction such that the respective notches 54-56 may be associated with a particular size of an osteosynthesis clip, or other similar clip or fastener, as discussed further herein. In some arrangements, as shown, a slot 57 may extend along the post 50 in the proximal-distal direction to provide a step that may be adjacent to and that may surround the notches, such as the notches 54-56.

[0045] Still referring to FIGS. 3(A)-(C), an adjustment mechanism 40, such as but not limited to a pressure screw, may be engaged with the post 50 to provide a physical stop for the post 50 in the proximal-distal direction. As shown, the adjustment mechanism 40 may have a handle 41, such as but not limited to a knob, and at least a protrusion 42 that may be

inserted into any of the respective notches including the notches designated 54-56, which are used for illustration purposes herein. In some arrangements, as shown, the adjustment mechanism 40 may include an engagement section 43, which may be but is not limited to being a cylindrical step having threads 44 and having a diameter smaller than the diameter of the handle 41 and larger than the diameter of the protrusion 42, as shown, a threaded portion of the protrusion 42, or the protrusion itself in which the protrusion is threaded. In alternative arrangements, the adjustment mechanism may be pressed into and pulled out of the notches without the need for any threads. In any of such arrangements, the slot 57 of the post 50 may be dimensioned such that the protrusion 42 of the adjustment mechanism 40 may slide along the slot 57 to be repositioned among any of the notches without the need to remove the adjustment mechanism 40 from the protrusion 18.

[0046] Referring now to FIGS. 3(A)-(C) and 4, clips such as any of clips 100, 200, and 300, , which may be osteosynthesis staples as shown, may be inserted into channels defined at least in part by a first jaw 60 and a pair of second jaws 80, as discussed further herein. As in the example of FIG. 3(A), the clip 100 may have first and second flanges 107, 108 extending from respective first and second base portions 103, 104. The first and second flanges may have tines or teeth 109, respectively, extending therefrom. The first and second base portions 103, 104 may be offset from each other and connected by an inner base portion 105 to form a base 101. Each of the clips 100, 200, and 300 may have similar features with the exception that the clip 200 may have an inner base portion 205 that is longer than the inner base portion 105, and the clip 300 may have an inner base portion 305 that is longer than both the inner base portion 105 and the inner base portion 205. In this manner, first and second base portions

304, 305 of the clip 300 may be offset a greater distance than first and second base portions 204, 205 of the clip 200, and similarly, the first and second base portions of the clip 200 may be offset a greater distance than the first and second base portions 104, 105 of the clip 100.

[0047] The pair of second jaws 80 may include a second proximal jaw 81 and an opposing second distal jaw 82 that may be joined by a second jaw connector 83. As best shown in FIG. 4, the second proximal jaw 81 and the opposing distal jaw 82 may define an opening through which a thickness of the second base portion 304 of the clip 300, may pass, for example. As further shown in the example of FIG. 4, the second proximal jaw 81, the opposing second distal jaw 82, and the second jaw connector 83 may define a channel for receiving the thickness of second base portion 304 of the clip 300.

[0048] As also best shown in the example of FIG. 4, the first jaw 60 may include a first distal jaw 61 and a first prong surface 75 on a distal most end of the prong 17 that may be joined by a first jaw connector 63. Similar to the pair of second jaws 80, the first distal jaw 61 and the first prong surface 75 may define an opening through which a thickness of the first base portion 303 may pass for example. As further shown in the example of FIG. 4, the first distal jaw 61, the first prong surface 75, and the second jaw connector 83 may define a channel for receiving the thickness of the first base portion 303 of the clip 300.

[0049] Referring again to FIG. 2, in operation during one embodiment of a method of use, the respective proximal ends 15, 16 of the first and second arms 11, 12 may be separated manually or may be separated due to a compressive force applied by the compression element 30 until inwardly-facing opposing first and second surfaces 71, 72 on the respective prongs 17, 18 of the distal ends 13, 14 contact one another. Now referring to FIGS. 3(A)-(C), in this compressed position,

with the adjustment mechanism 40 in a retracted position outside of the bore 73, the post 50 may be set at a position within the bore 73 in order to place the pair of second jaws 80 on the post 50 at a desired distance in a distal direction from the second prong 18 of the second distal end 14 of the second arm 12. Such a position may be determined through the use of a measurement marker 58 that may be located along the post 50 (see FIG. 5(B)). The adjustment mechanism 40 may then be inserted into the appropriate notch, such as any of the notches 54-56 to fix the position of the post 50. In this manner, the desired clip may then be inserted into the pair of second jaws 50 and the first jaw 60, as shown by the examples of FIGS. 3(A)-(C) in which the clips 100, 200, and 300 have been inserted into the instrument 10 when the adjustment mechanism 40 is inserted into the respective notches 54, 55, and 56. Referring to FIG. 4, the channels defined by the pair of second jaws 80 and the first jaw 60 may face in opposite directions such that the instrument 10 may be twisted relative to a clip to be received by the instrument. In this manner, the clip may be held in place by the instrument 10.

[0050] Referring now to FIGS. 1 and 5, after inserting the clip, in this example the clip 300, the inner stop 24 of the instrument 10 may be rotated such that the inner stop 24 translates along the rod 20 towards the second arm 12 to provide clearance for movement of the first arm 11 towards the second arm 12. The first and second arms 11, 12 may then be compressed towards each other at the respective proximal ends 15, 16 thereof to cause the respective prongs 71, 72 to separate. In this manner, the flanges 307, 308 of the clip 300 may be spread apart. During this step, the inner stop 24 and the outer stop 26 may limit the relative movement of the flanges 307, 308 of the clip 300 to avoid breakage or deformation of the clips during opening. Once the flanges 307, 308 are placed into a desirably perpendicular direction

with respect to the respective first and second base portions 303, 304, the inner stop 24 and the outer stop 26 may then be rotated to lock the position of the proximal end 15 of the first arm 11 relative to the proximal end 16 of the second arm 12, and thus lock the relative position of first and second arms 11, 12 in light of their connection at the joint 19. As shown in FIG. 5A, holes 5, 6 may be drilled into bone parts or fragments, such as severed portions 3, 4 of the calcaneus of a foot, respectively, though the flanges 307, 308 of clip 300 may have self-tapping distal tips such that pre-drilled holes 5, 6 are not necessary. As next shown in FIG. 5B, the distally-pointing first and second flanges 307, 308 of the clip 300 may then be inserted into the respective holes 5, 6 in the calcaneus. The outer stop 26 may then be rotated to permit the arms 11, 12 to spread apart such that the respective prongs 71, 72 move toward each other. At a predetermined relative position of the prongs 71, 72, the clip 300 may not be tightly held. At such a position, the instrument 10 may be easily separated from the clip 300 by rotating the instrument 10, as shown in a counter clockwise direction, to disengage the instrument from the clip 300 and by moving the instrument away from the clip 300.

[0051] In an alternative arrangement to that shown in the figures, the adjustment mechanism may be a gear, such as a worm gear. In such an arrangement, the adjustment mechanism may have a longitudinal axis parallel to a longitudinal axis of the post. The post may have gear teeth that may have corresponding gear teeth to mesh with the adjustment mechanism. In this manner, the adjustment mechanism may be rotated to cause the post to move in the distal and proximal positions relative to the prong. In another alternative arrangement, the adjustment mechanism may be a pinion gear that meshes with gear teeth on the post, such as in a rack and pinion configuration. In still other alternative

arrangements, the interface between the adjustment mechanism and the post may be any interface for remotely causing translational movement of an object known to those of ordinary skill in the art.

[0052] In another alternative arrangement, any of the jaws described herein may be moveable in directions at an angle with or transverse to the proximal-distal direction to accommodate different shapes and sizes of clips, such as clips having curved, wavy, or other such shapes of bases. For example, each of the pair of second jaws may be translatable in a opposite direction perpendicular to the proximal-distal direction of movement of the post such that the jaws spread apart to allow wider or narrower clips to be placed between the jaws. In some alternative arrangements, either of the prongs described herein may be moveable in directions at an angle with or transverse to the proximal-distal direction.

[0053] In another embodiment, the present invention may include a system or kit including instrument 10 and at least one of the clip 100, 200, 300. In a preferred embodiment, the system or kit includes a plurality of clips 100, 200, 300 such that the system or kit includes an assortment of clips having varying sizes and shapes such that the operator may select the proper sized clip for a particular application or use. The adjustment mechanism 40 and the post 50 allow for the single instrument 10 to be used with any of the clips 100, 200, 300 supplied with the system or kit. It should also be understood that clips 100, 200, 300 are merely exemplary sizes and thus clips may be available to an operator in all manner of shapes and sizes other than just those illustrated in and described with respect to FIGS. 3-5.

[0054] In an alternative arrangement, such a system or kit may include a plurality of posts that may have different shapes and sizes to accommodate the differently sized clips.

[0055] It is to be understood that the disclosure set forth herein includes all possible combinations of the particular features set forth above, whether specifically disclosed herein or not. For example, where a particular feature is disclosed in the context of a particular aspect, arrangement, configuration, or embodiment, or a particular claim, that feature can also be used, to the extent possible, in combination with and/or in the context of other particular aspects, arrangements, configurations, and embodiments of the invention, and in the invention generally.

[0056] Furthermore, although the invention herein has been described with reference to particular features, it is to be understood that these features are merely illustrative of the principles and applications of the present invention. It is therefore to be understood that numerous modifications, including changes in the sizes of the various features described herein, may be made to the illustrative embodiments and that other arrangements may be devised without departing from the spirit and scope of the present invention. In this regard, the present invention encompasses numerous additional features in addition to those specific features set forth in the claims below. Moreover, the foregoing disclosure should be taken by way of illustration rather than by way of limitation as the present invention is defined by the claims set forth below.

CLAIMS

1. An instrument for the manipulation and insertion of an osteosynthesis clip, the osteosynthesis clip including a base having a thickness and at least first and second flanges extending from the base and having a thickness, the instrument comprising:

a first distal end;

a second distal end attached to the first distal end; and

a jaw assembly extending from the second distal end, the jaw assembly being dimensioned to receive at least one of the thicknesses of the base and at least one of the flanges, wherein the jaw assembly is movable to a plurality of positions relative to the second distal end.

2. The instrument of claim 1, further comprising:

a first arm including the first distal end;

a second arm attached to the first arm and including the second distal end, the first and second distal ends of the first and second arms being separable to a plurality of arm positions from each other;

at least a first jaw attached to the first distal end and dimensioned to receive the thickness of at least one of (i) the first portion of the base and (ii) the first flange,

wherein the jaw assembly includes at least a pair of second jaws extending from the second distal end and dimensioned to receive the thickness of at least one of (i) the second portion of the base and (ii) the second flange, and

wherein the pair of second jaws are moveable to the plurality of positions relative to the second distal end.

3. The instrument of claim 2, wherein the plurality of positions of the pair of second jaws include at least first

and second positions, and wherein the pair of second jaws are moveable to the at least first and second positions when the respective first and second distal ends of the first and second arms are separated by any of the plurality of arm positions.

4. The instrument of claim 2, wherein the first and second arms are connected and pivotal about a joint, and wherein the respective first and second distal ends of the first and second arms are separable upon pivotal movement about the joint.

5. The instrument of claim 2, the second distal end having a bore extending therein, further comprising a post slideable within the bore, wherein the pair of second jaws extend from the post.

6. The instrument of claim 2, further comprising:
a post extendable from the second distal end, wherein the pair of second jaws are attached to the post; and
a fastener attached to the second distal end, the fastener being moveable from a first position to a second position in a direction transverse to the movement of the pair of second jaws,
wherein the fastener is not engaged with the post in the first position of the fastener such that the post is extendable from the second distal end, and
wherein the fastener is engaged with the post in the second position of the fastener such that the post is not extendable from the second distal end.

7. The instrument of claim 6, wherein the post includes at least one notch, and wherein a distal end of the fastener is dimensioned to be received in the at least one notch to set

the post at a predetermined location relative to the second distal end.

8. The instrument of claim 2, further comprising:
a post extendable from the second distal end, wherein the pair of second jaws are attached to the post; and
an adjustment mechanism for engagement with the post, wherein the post is in a first post position at a first position of the adjustment mechanism and the post is in a second post position at a second position of the adjustment mechanism.

9. The instrument of claim 2, further comprising a post extendable from the second distal end and having a measurement marker thereon, wherein the pair of second jaws is attached to the post, and wherein the measurement marker provides a marker for determining the relative location of the pair of second jaws to the second distal end.

10. The instrument of claim 2, wherein the first jaw attached to the first distal end and the pair of second jaws extending from the second distal end define first and second channels, respectively, and wherein the first and second channels face in opposite directions, and wherein the respective first and second channels receive the thickness of the at least one of (i) the first and second portions of the base and (ii) the first and second flanges.

11. A system for the manipulation and insertion of an osteosynthesis clip, the system comprising:

an osteosynthesis clip including a base having first and second portions, a thickness, and at least first and second flanges extending from the base, the flanges having a thickness, and

an instrument including a first distal end and at least a first jaw extending from the distal end, the first jaw being dimensioned to receive one of the thicknesses of the base and at least one of the flanges, wherein the first jaw is movable to a plurality of jaw positions relative to the first distal end.

12. The system of claim 11, wherein the instrument includes a first arm including the first distal end, and a second arm connected to the first arm at a joint, wherein the second arm includes a second distal end and at least a second jaw attached to the second distal end and dimensioned to receive the thickness of at least one of (i) the first portion of the base and (ii) the first flange of the at least one osteosynthesis clip.

13. The system of claim 12, wherein the first and second arms are pivotal to separate the first and second distal ends from each other.

14. The system of claim 12, wherein the first and second portions of the base are offset from each other prior to being received in the first jaw and the second jaw, respectively.

15. The system of claim 14, wherein the osteosynthesis clip is a stepped staple.

16. The system of claim 12, further comprising a plurality of osteosynthesis clips, wherein the first and second portions of the base of a first clip are offset from each other a first distance prior to being received in the first jaw and the second jaw, respectively, and the first and second portions of the base of a second clip are offset from each other a second distance different than the first distance

prior to being received in the first jaw and the second jaw, respectively.

17. The system of claim 11, wherein profiles of each of the first and second flanges of the osteosynthesis clip and the first and second arms lie in the same plane when at least one of (A) the at least one of (i) the first portion of the base and (ii) the first flange are received in the first jaw and (B) the at least one of the (i) the second portion of the base and (ii) the second flange are received in the second jaw.

18. The instrument of claim 11, the first distal end having a bore extending therein, further comprising a post slideable within the bore, wherein the first jaw extends from the post.

19. The instrument of claim 11, further comprising:

a post extendable from the first distal end, wherein the first jaw is attached to the post; and

a fastener attached to the first distal end, the fastener being moveable from a first position to a second position in a direction transverse to the movement of the first jaw,

wherein the fastener is not engaged with the post in the first position of the fastener such that the post is extendable from the first distal end, and

wherein the fastener is engaged with the post in the second position of the fastener such that the post is not extendable from the first distal end.

20. The instrument of claim 19, wherein the post includes at least one notch, and wherein a distal end of the fastener is dimensioned to be received in the at least one

notch to set the post at a predetermined location relative to the first distal end.

21. The instrument of claim 11, further comprising:
a post extendable from the first distal end, wherein the first jaw is attached to the post; and
an adjustment mechanism for engagement with the post, wherein the post is in a first position at a first position of the adjustment mechanism and the post is in a second position at a second position of the adjustment mechanism.

22. An instrument for the manipulation and insertion of an osteosynthesis clip, the osteosynthesis clip including a base having at least first and second portions, a thickness, and at least first and second flanges extending from the base and having a thickness, the instrument comprising:

a first arm having a first distal end;
a second arm attached to the first arm and having a second distal end, the distal ends of the first and second arms being separable a plurality of arm positions from each other;

at least a first jaw attached to the first distal end and dimensioned to receive the thickness of at least one of (i) the first portion of the base and (ii) the first flange; and

at least a pair of second jaws extending from the second distal end and dimensioned to receive the thickness of at least one of (i) the second portion of the base and (ii) the second flange,

wherein the pair of second jaws are moveable to a plurality of positions relative to the second distal end.

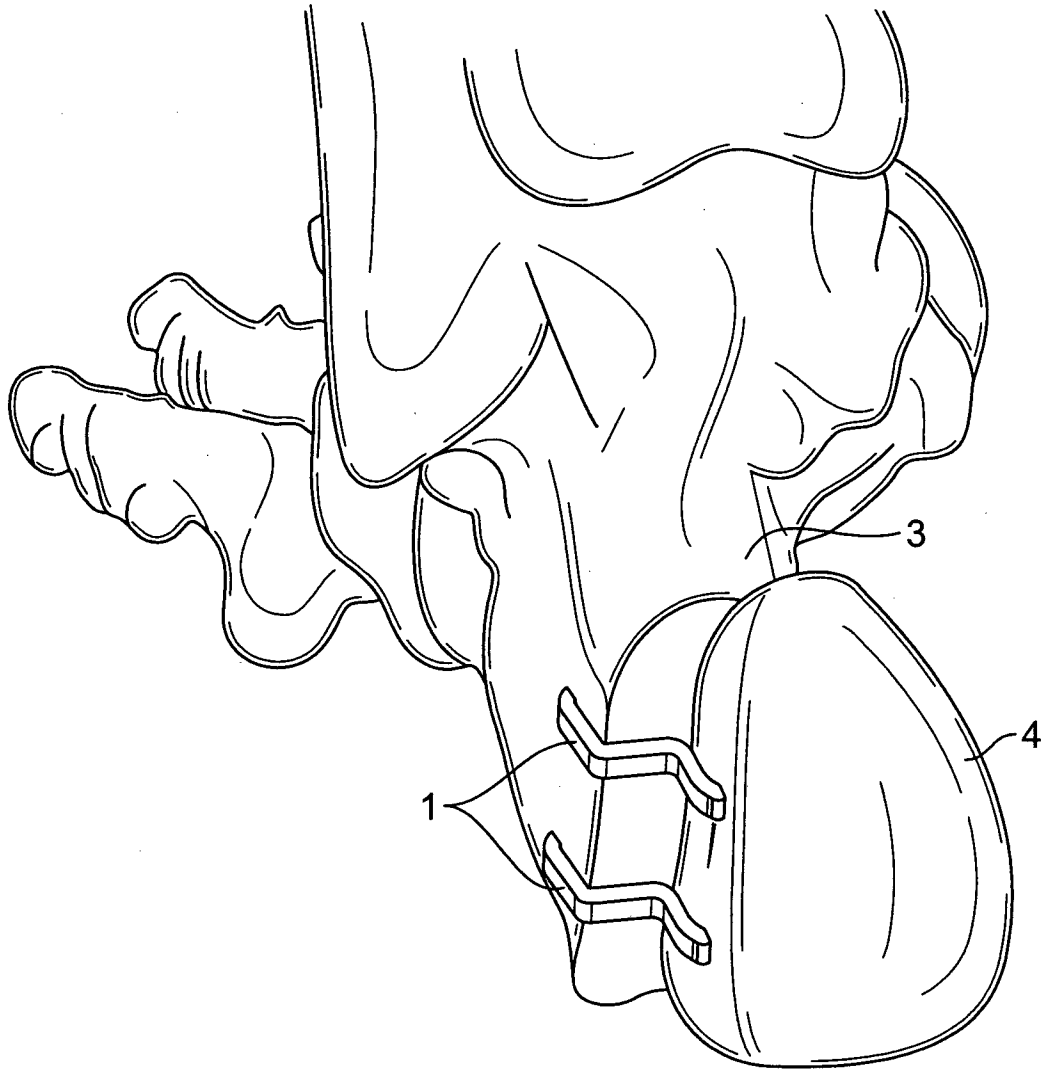


FIG. 1
(Prior Art)

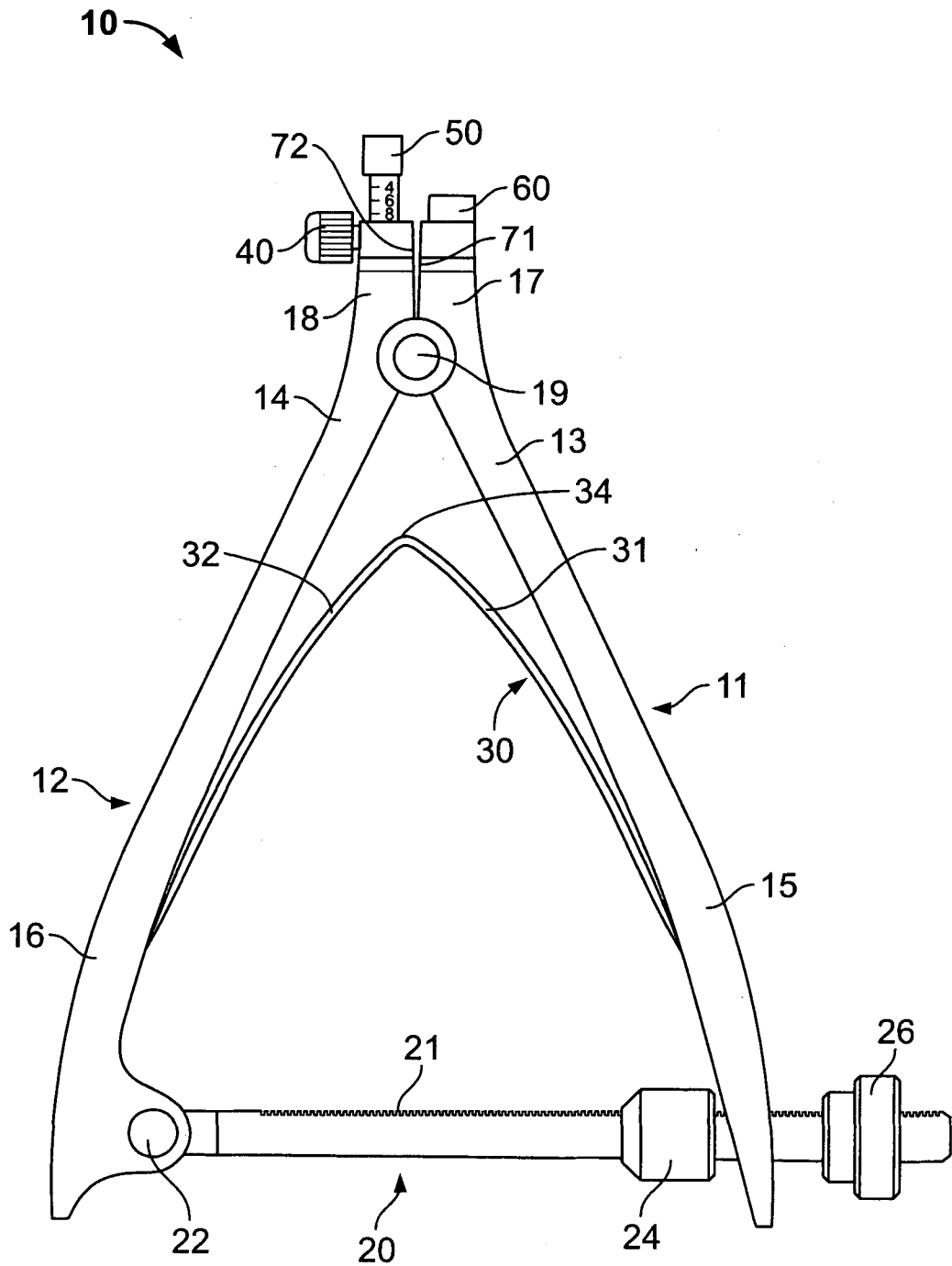


FIG. 2

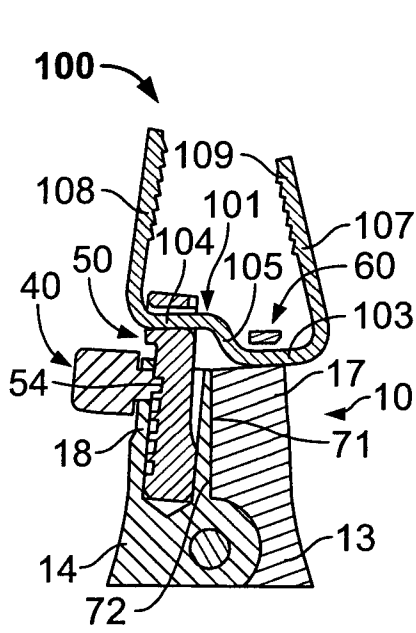


FIG. 3A

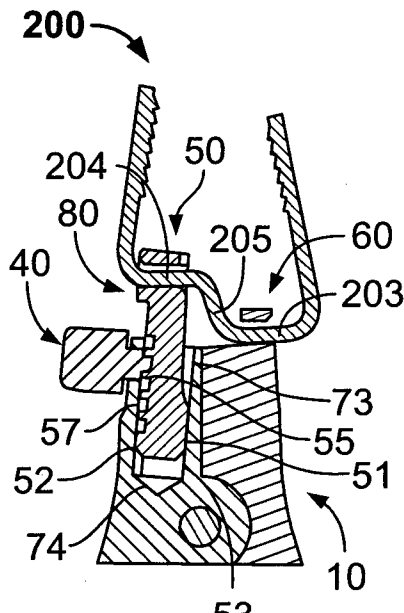


FIG. 3B

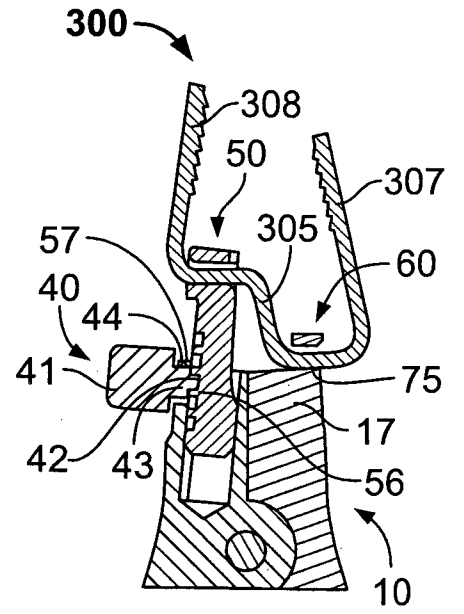


FIG. 3C

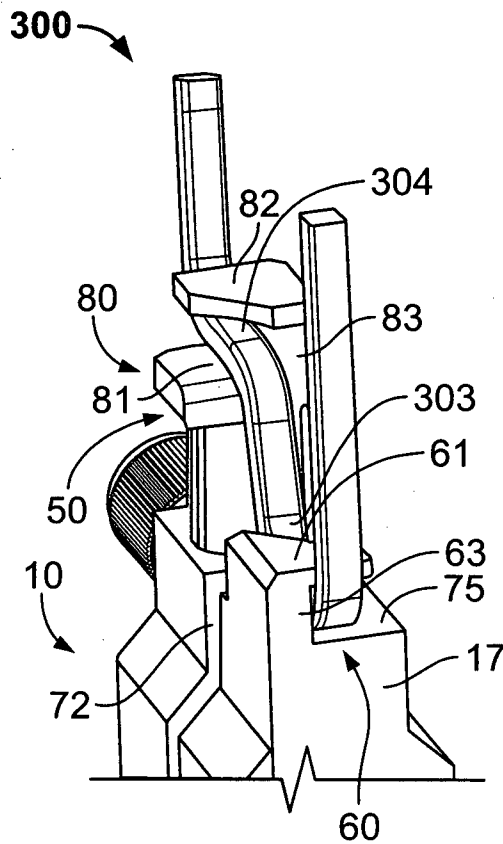


FIG. 4

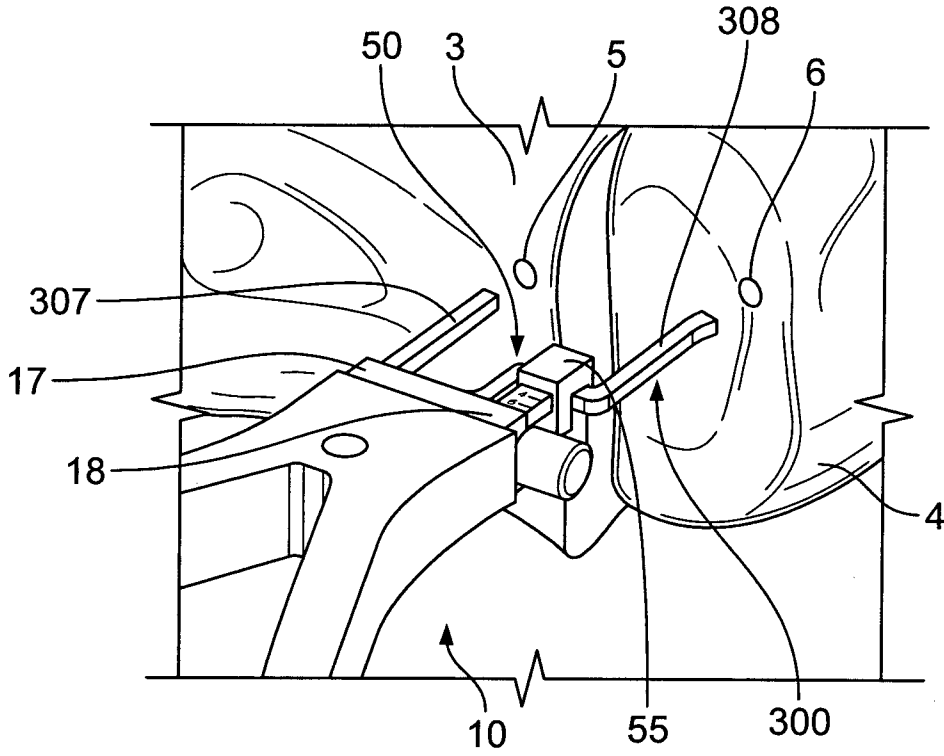


FIG. 5A

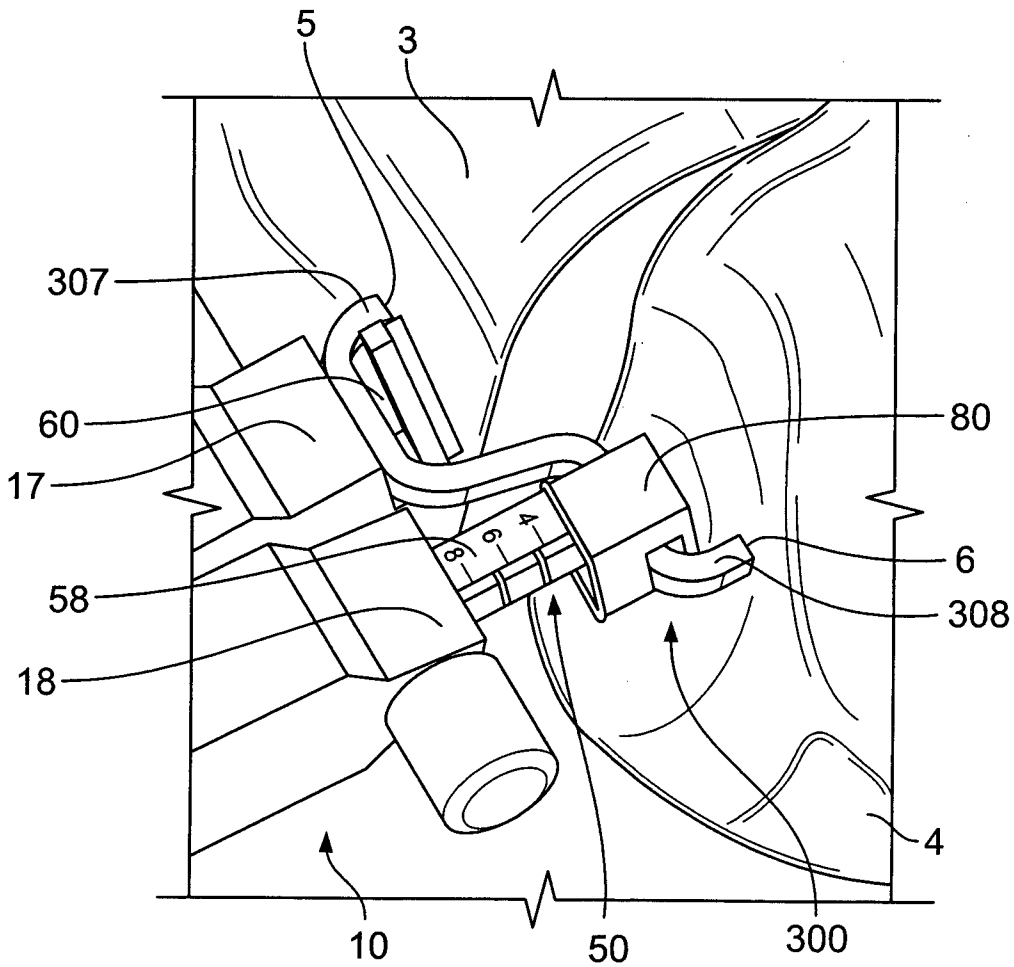


FIG. 5B

INTERNATIONAL SEARCH REPORT

International application No
PCT/IB2013/052000

A. CLASSIFICATION OF SUBJECT MATTER
INV. A61B17/064 A61B17/068
ADD.

According to International Patent Classification (IPC) or to both national classification and IPC

B. FIELDS SEARCHED
Minimum documentation searched (classification system followed by classification symbols)
A61B

Documentation searched other than minimum documentation to the extent that such documents are included in the fields searched

Electronic data base consulted during the international search (name of data base and, where practicable, search terms used)
EPO-Internal, WPI Data

C. DOCUMENTS CONSIDERED TO BE RELEVANT

Category*	Citation of document, with indication, where appropriate, of the relevant passages	Relevant to claim No.
A	US 8 137 351 B2 (PRANDI BERNARD [FR]) 20 March 2012 (2012-03-20) cited in the application figure 3	1,11,17
X	----- EP 1 504 723 A2 (GROISO JORGE A [AR] MEDICREA INTERNATIONAL [FR]) 9 February 2005 (2005-02-09) paragraphs [0011], [0019], [0020]; figures 4b,5a-5c	1-4, 10-17,22
X	----- US 5 833 697 A (LUDWICK JACK R [US]) 10 November 1998 (1998-11-10) figures 1,4a	1-4
X	----- DE 21 2008 000029 U1 (DUBROVSKY ARKADY VENIAMINOVICH [RU]) 3 December 2009 (2009-12-03) paragraph [0084]; figure 8	1-4

Further documents are listed in the continuation of Box C.

See patent family annex.

* Special categories of cited documents :

- "A" document defining the general state of the art which is not considered to be of particular relevance
- "E" earlier application or patent but published on or after the international filing date
- "L" document which may throw doubts on priority claim(s) or which is cited to establish the publication date of another citation or other special reason (as specified)
- "O" document referring to an oral disclosure, use, exhibition or other means
- "P" document published prior to the international filing date but later than the priority date claimed

- "T" later document published after the international filing date or priority date and not in conflict with the application but cited to understand the principle or theory underlying the invention
- "X" document of particular relevance; the claimed invention cannot be considered novel or cannot be considered to involve an inventive step when the document is taken alone
- "Y" document of particular relevance; the claimed invention cannot be considered to involve an inventive step when the document is combined with one or more other such documents, such combination being obvious to a person skilled in the art
- "&" document member of the same patent family

Date of the actual completion of the international search 5 December 2013	Date of mailing of the international search report 16/12/2013
--	--

Name and mailing address of the ISA/ European Patent Office, P.B. 5818 Patentlaan 2 NL - 2280 HV Rijswijk Tel. (+31-70) 340-2040, Fax: (+31-70) 340-3016	Authorized officer Assion, Jean-Charles
--	--

INTERNATIONAL SEARCH REPORT

Information on patent family members

International application No PCT/IB2013/052000

Patent document cited in search report	Publication date	Patent family member(s)	Publication date	
US 8137351	B2	20-03-2012	FR 2868938 A1	21-10-2005
			US 2009018556 A1	15-01-2009
			WO 2005104961 A1	10-11-2005
EP 1504723	A2	09-02-2005	EP 1504723 A2	09-02-2005
			EP 2335605 A1	22-06-2011
			ES 2411883 T3	09-07-2013
			PT 1504723 E	04-06-2013
			US 2005049600 A1	03-03-2005
			US 2005273108 A1	08-12-2005
			US 2010082030 A1	01-04-2010
			US 2010087822 A1	08-04-2010
US 5833697	A	10-11-1998	NONE	
DE 212008000029	U1	03-12-2009	DE 212008000029 U1	03-12-2009
			RU 2328228 C1	10-07-2008
			US 2010114122 A1	06-05-2010
			WO 2008127149 A1	23-10-2008