



US00D844772S

(12) **United States Design Patent**
Badarello

(10) **Patent No.:** **US D844,772 S**

(45) **Date of Patent:** **** Apr. 2, 2019**

(54) **COMBINED CEILING FAN MOTOR HOUSING AND RING**

(71) Applicant: **HUNTER FAN COMPANY**,
Memphis, TN (US)

(72) Inventor: **Christophe Badarello**, Holly Springs,
TN (US)

(73) Assignee: **Hunter Fan Company**, Memphis, TN
(US)

(**) Term: **15 Years**

(21) Appl. No.: **29/642,035**

(22) Filed: **Mar. 27, 2018**

Related U.S. Application Data

(63) Continuation of application No. 29/632,029, filed on
Jan. 4, 2018, now Pat. No. Des. 825,736, which is a
(Continued)

(51) **LOC (11) Cl.** **23-03**

(52) **U.S. Cl.**
USPC **D23/411**

(58) **Field of Classification Search**
USPC D23/377, 379, 385, 387, 411-414, 499;
416/1, 5, 170 R, 214 R, 184, 206, 207,
(Continued)

(56) **References Cited**

U.S. PATENT DOCUMENTS

D268,521 S 4/1983 Clemente
4,518,314 A 5/1985 Schultz
(Continued)

FOREIGN PATENT DOCUMENTS

CN 203257739 U 10/2013
TW 335103 6/1998

OTHER PUBLICATIONS

Bamboo-ceiling-fans-with-lights. hdsociety.info .(online) 1 pgs.
Uploaded Dec. 2017. [Retrieved on Jun. 13, 2018] <http://hdsociety.info/wp-content/uploads/2017/12/bamboo-ceiling-fans-with-lights-1645-bamboo-ceiling-fans-australia-design.jpg>.*

(Continued)

Primary Examiner — Marie D. Fast Horse

(74) *Attorney, Agent, or Firm* — McGarry Bair PC

(57) **CLAIM**

The ornamental design for a combined ceiling fan motor housing and ring, as shown and described.

DESCRIPTION

This application is also related to U.S. patent application Ser. No. 29/545,348, filed Nov. 12, 2015, now issued as U.S. Design Pat. No. D779,648.

FIG. 1 is a top perspective view of a combined ceiling fan motor housing and ring showing my new design in the environment of a ceiling fan;

FIG. 2 is a bottom perspective view of the combined ceiling fan motor housing and ring of FIG. 1, in the environment of the ceiling fan;

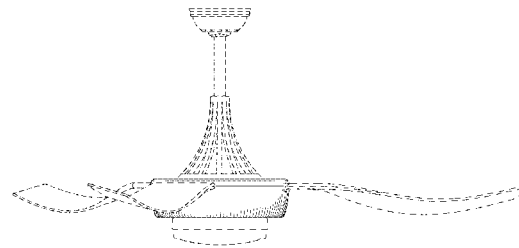
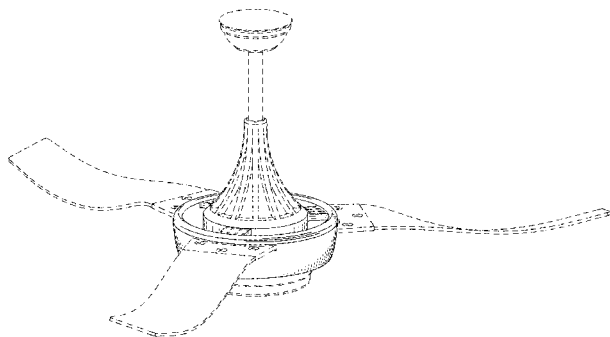
FIG. 3 is a side view of the combined ceiling fan motor housing and ring of FIG. 1, in the environment of the ceiling fan;

FIG. 4 is a top view of the combined ceiling fan motor housing and ring of FIG. 1, in the environment of the ceiling fan; and,

FIG. 5 is a bottom view of the combined ceiling fan motor housing and ring of FIG. 1, in the environment of the ceiling fan.

The broken lines showing the canopy, down-rod, blades, and light fixture depict environmental subject matter only and form no part of the claim. While all other broken lines in the drawings depict portions of the combined ceiling fan motor housing and ring that form no part of the claimed design.

1 Claim, 5 Drawing Sheets



Related U.S. Application Data

continuation of application No. 29/571,398, filed on Jul. 18, 2016, now Pat. No. Des. 811,578, which is a continuation of application No. 29/514,397, filed on Jan. 12, 2015, now Pat. No. Des. 761,949.

(58) Field of Classification Search

USPC 416/210 R, 220 R, 244 R, 248; 392/364; D26/59, 51, 72, 73, 80-86, 88, 90
CPC F04D 25/088; F04D 29/601; F04D 29/322; F04D 29/324; F04D 29/38; F04D 29/34; F21V 33/0096

See application file for complete search history.

(56) References Cited

U.S. PATENT DOCUMENTS

D333,867	S	3/1993	Markwardt
D349,336	S	8/1994	Tsuji
5,575,624	A	11/1996	Bogage
D376,845	S	12/1996	Chen
5,658,129	A	8/1997	Pearce
D433,114	S	10/2000	Liu
D438,950	S	3/2001	Frampton
6,733,241	B2	1/2004	Bird
D490,510	S	5/2004	Cohen
D503,489	S	3/2005	Yurich
6,884,034	B1	4/2005	Parker et al.
D509,295	S	9/2005	Stauffer et al.
6,991,431	B2	1/2006	Wen
D515,695	S	2/2006	Badarello
7,036,949	B2	5/2006	Srass et al.
D535,388	S	1/2007	Gajewski
D536,083	S	1/2007	Gajewski
D543,617	S	5/2007	Liu
D547,483	S	7/2007	Pickett
7,273,349	B2	9/2007	Cartwright
D571,455	S	6/2008	Hort et al.
7,413,410	B2	8/2008	Shahin et al.
D586,901	S	2/2009	Hidalgo
D598,997	S	8/2009	Klausing et al.
D603,955	S	11/2009	Patton
D608,935	S	1/2010	Pedersen
D625,403	S	10/2010	Liu
D627,050	S	11/2010	Pan
D627,053	S	11/2010	Pan
D627,874	S	11/2010	Pan
D630,312	S	1/2011	Spaulding
D630,724	S	1/2011	Liu
D631,955	S	2/2011	Villella et al.
D632,381	S	2/2011	Davenport et al.
D632,384	S	2/2011	Pan
D632,780	S	2/2011	Pan
D663,829	S	7/2012	Allen et al.
D671,203	S	11/2012	Wang
D671,633	S	11/2012	Glasbrenner
D675,720	S	2/2013	Conillas
D679,794	S	4/2013	Allen et al.
D704,819	S	5/2014	Wang
D705,921	S	5/2014	Wang
D705,970	S	5/2014	Ertze
D706,407	S	6/2014	Wang
D706,411	S	6/2014	Wang
D706,970	S	6/2014	Wang
D707,808	S	6/2014	Wang
D710,490	S	8/2014	Shurtleff
8,807,938	B2	8/2014	Villella
D716,438	S	10/2014	Liu
D741,989	S	10/2015	Wang
D744,081	S	11/2015	Wang
D744,629	S	12/2015	Wang
D744,633	S	12/2015	Wang
D745,961	S	12/2015	Pickett
D759,799	S	6/2016	Wang
D761,949	S	7/2016	Badarello
D779,648	S	2/2017	Badarello et al.

D811,578	S	*	2/2018	Badarello	D23/411
D825,736	S	*	8/2018	Badarello	D23/411
2007/0104583	A1		5/2007	Gajewski		
2010/0098545	A1		4/2010	Liu		
2011/0280711	A1		11/2011	Liu		
2012/0195767	A1		8/2012	Gervais et al.		
2015/0176834	A1		6/2015	Avedon		

OTHER PUBLICATIONS

<http://www.quoruminternational.com/index.cfm/app/productDetail?product=98604-65>, Item Specification for Satin Nickel Ceiling Fan 98604-65, accessed Feb. 25, 2015.

http://www.fanimation.com/products/big_island/?group_id=946, Item Specification for The Big Island Ceiling Fan, accessed Feb. 25, 2015.

<http://www.kichler.com/products/product/52-inch-maiden-fan-obb-3001490bb.aspx>, Item Specification for 52 Inch Maiden Fan 3001490BB, accessed Feb. 25, 2015.

<http://www.montecarlofans.com/44076/56in-Lily---Brushed-Steel-5LLR56BSD.html>, Item Specification for Lily Ceiling Fan 5LLR56B SD, accessed Feb. 25, 2015.

<http://www.homedepot.com/p/Home-Decorators-Collection-Cassaro-II-52-in-Brushed-Nickel-Ceiling-Fan-AM113-BN/204739437?keyword=cassaro+II>, Item Specification for Cassaro II 52 in. Brushed Nickel Ceiling Fan, accessed Feb. 25, 2015.

<http://www.homedepot.com/s/vento%2520fiore?NCNI=5>, Web Page Results for Vento Fiore Ceiling Fans, accessed Feb. 25, 2015.

<http://www.craftmade.com/Craftmade-SI56BA5-Brushed-Aluminum-Ceiling-Fan.HTM>, Item Specification for Silo 56" ceiling Fan SI56BA5, accessed Feb. 25, 2015.

<http://www.quoruminternational.com/index.cfm/app/productDetail?product=54543-65>, Item Specification for Satin Nickel Ceiling Fan 54543-65, accessed Feb. 25, 2015.

<http://www.quoruminternational.com/index.cfm/app/productDetail?product=58524-65>, Item Specification for Satin Vickel Ceiling Fan 58524-65, accessed Feb. 25, 2015.

<http://www.craftmade.com/Craftmade-STU54PLN3-Polished-Nickel-Ceiling-Fan.HTM>, Item Specification for Studio 54" Ceiling Fan STU54PLN3, accessed Feb. 25, 2015.

<http://www.craftmade.com/Craftmade-MN44SS4-Stainless-Steel-Ceiling-Fan.HTM>, Item Specification for Montreal 44" Ceiling Fan MN44SS4, accessed Feb. 25, 2015.

<http://www.craftmade.com/Craftmade-PU52O65-Oiled-Bronze-Ceiling-Fan.HTM>, Item Specification for Pulsar 52" Ceiling Fan, PU52OBS, accessed Feb. 25, 2015.

<http://www.craftmade.com/Craftmade-MND54BNK3Nickel-Ceiling-Fan.HTM>, Item Specification for Mondo 54" Ceiling Fan MND54BNK3, accessed Feb. 25, 2015.

<http://www.craftmade.com/Craftmade-HE52SS5-Stainless-Steel-Ceiling-Fan.HTM>, Item Specification for Helios 52" Ceiling Fan HE52SS5, accessed Feb. 25, 2015.

<http://www.craftmade.com/Craftmade-K11067-Chrome-Ceiling-Fan.HTM>, Item Specification for Sonnet Ceiling Fan K11067, accessed Feb. 25, 2015.

<http://www.emersonfans.com/en-US/Products/Transitional/Pages/CF995BS.aspx>, Item Specification for Laclede Eco Ceiling Fan CF995BS, accessed Feb. 25, 2015.

<http://www.emersonfans.com/en-US/Products/Transitional/Pages/CF880BS.aspx>, Item Specification for Amhurst Ceiling Fan CF880BS, accessed Feb. 25, 2015.

<http://www.emersonfans.com/en-US/Products/Contemporary/Pages/CF4900BS.aspx>, Item Specification for Southtowne Ceiling Fan CF4900BS, accessed Feb. 25, 2015.

<http://www.emersonfans.com/en-US/Products/Contemporary/Pages/CF430ORB.aspx>, Item Specification for Highrise Ceiling Fan CF430ORB, accessed Feb. 25, 2015.

<http://www.emersonfans.com/en-US/Products/Contemporary/Pages/CF955BS.aspx>, Item Specification for Midway Eco Ceiling Fan CF955BS, accessed Feb. 25, 2015.

<http://www.emersonfans.com/en-US/Products/Contemporary/Pages/CF550DMBS.aspx>, Item Specification for Luxe Eco Ceiling Fan CF550DMBS, accessed Feb. 25, 2015.

(56)

References Cited

OTHER PUBLICATIONS

<http://www.emersonfans.com/en-US/Products/Contemporary/Pages/CF205BS.aspx>, Item Specification for Highpointe Ceiling Fan CF205BS, accessed Feb. 26, 2015.

<http://www.emersonfans.com/en-US/Products/Contemporary/Pages/CF765BS.aspx>, Item Specification for Loft Ceiling Fan CF765BS, accessed Feb. 26, 2015.

<http://www.fanimation.com/products/multimax/>, Item Specification for The Multimax One Versatile Fan FP8008BN, accessed Feb. 26, 2015.

<http://www.fanimation.com/products/zonix/>, Item Specification for The Zonix Modern Sophistication Fan FP4620BL, accessed Feb. 26, 2015.

<http://www.kichler.com/products/product/52-inch-vassar-fan-ni-300175ni.aspx>, Item Specification for Vassar Collection 52 Inch Vassar Fan NI 300175NI, accessed Feb. 26, 2015.

<http://www.kichler.com/products/product/arkwright-fan-ap-300146ap.aspx>, Item Specification for Arkwright Collection Arkwright Fan AP 300146AP, accessed Feb. 26, 2015.

<http://www.kichler.com/products/product/42-inch-innes-ii-fan-ni-300130ni.aspx>, Item Specification for Innes II 42" Collection 42 Inch Inness II Fan NI 300130NI, accessed Feb. 26, 2015.

<http://www.kichler.com/products/product/52-inch-ridley-fan-obb-300145obb.aspx>, Item Specification for 52 Inch Ridley Fan OBB 300145OBB, accessed Feb. 26, 2015.

<http://www.minkagroup.net/minka-aire/fans>, Item Specification for Aluma 52" Ceiling Fan F521-ORB, accessed Feb. 26, 2015.

<http://www.minkagroup.net/all-collections?keys=roto>, Item Specification for Roto 52" Ceiling Fan F524-ORB, accessed Feb. 26, 2015.

<http://www.minkagroup.net/all-collections?keys=flyte>, Item Specification for Flyte 56" Ceiling Fan F531-L-BN, accessed Feb. 26, 2015.

<http://www.minkagroup.net/all-collections?keys=artemis>, Item Specification for Artemis 58" Ceiling Fan F803-TL, accessed Feb. 26, 2015.

<http://www.modernfan.com/products/halo.html>, Halo Ceiling Fan, accessed Feb. 26, 2015.

<http://www.modernfan.com/products/lapa.html>, Lapa Ceiling Fan, accessed Feb. 26, 2015.

<http://www.modernfan.com/products/flute.html>, Flute Ceiling Fan, accessed Feb. 26, 2015.

<http://www.montecarlofans.com/38129/52-Vision---Oil-Rubbed-Bronze-3VNR520ZD.html>, Item Specification for Vision Ceiling Fan 3VNR520ZD, accessed Feb. 26, 2015.

<http://www.quoruminternational.com/index.cfm/app/productDetail?product=20543-965>, Item Specification for Satin Nickel Ceiling Fan 20543-965, accessed Feb. 26, 2015.

* cited by examiner

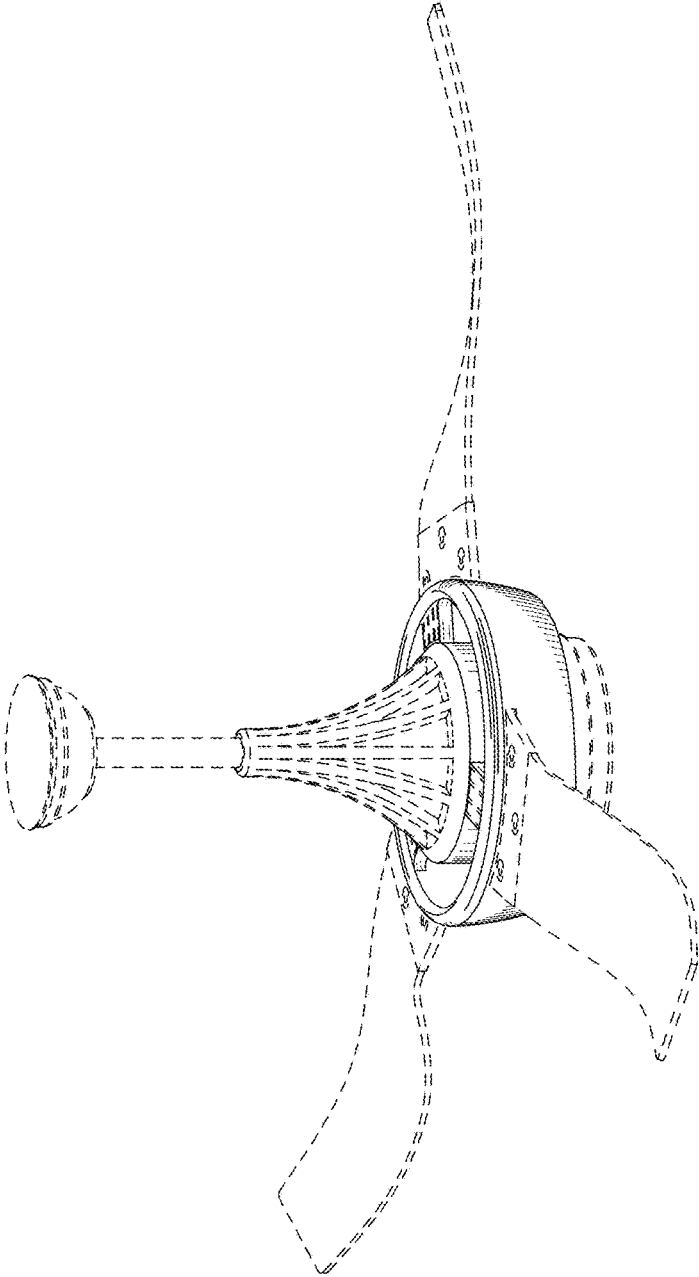


FIG.1

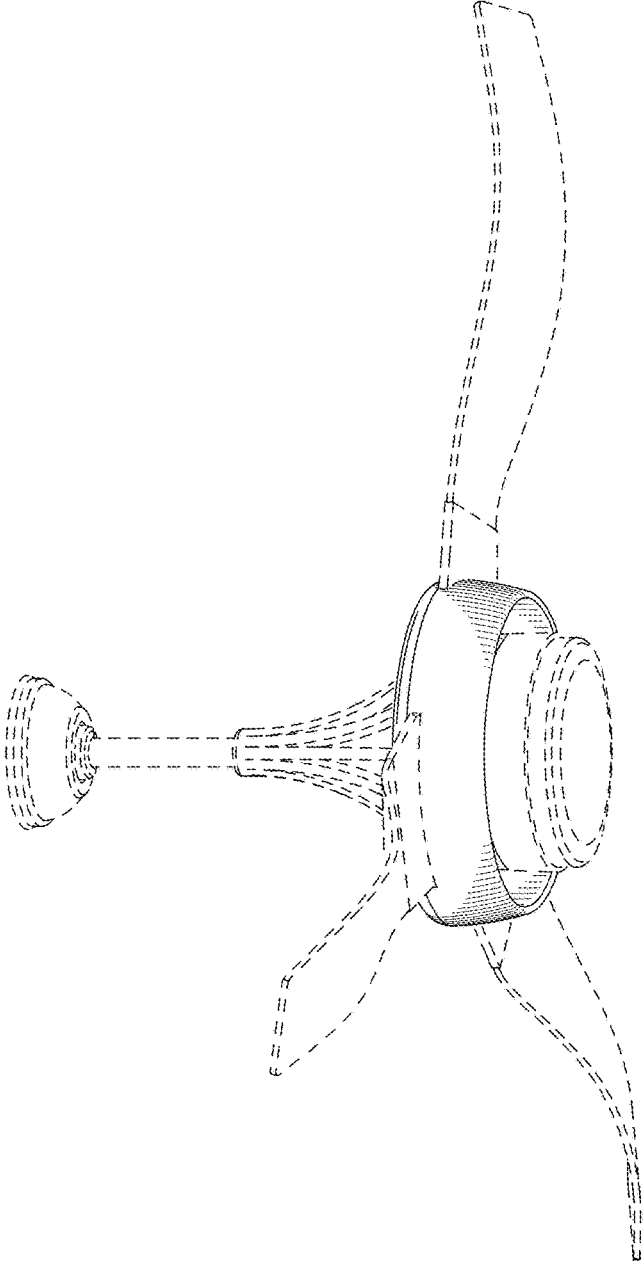


FIG.2

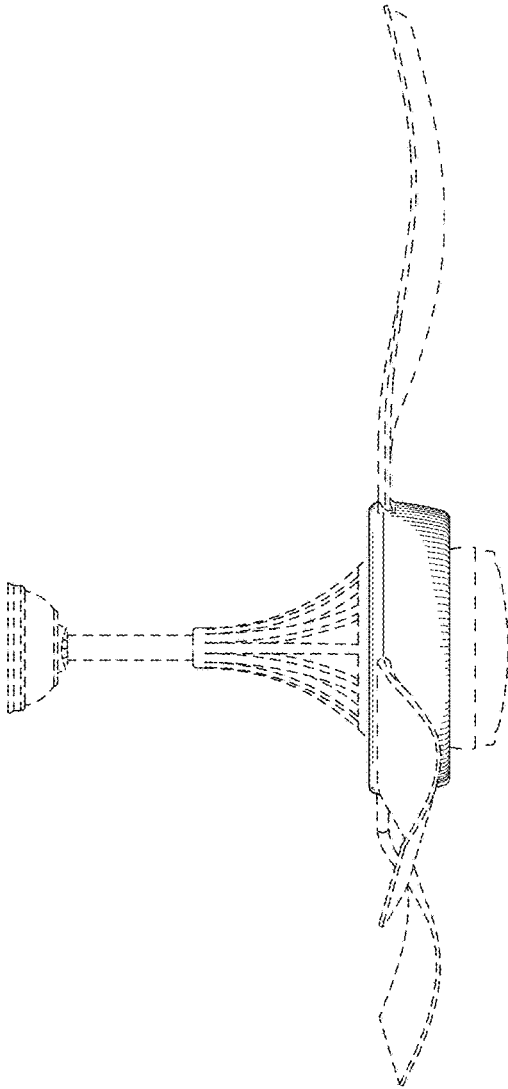


FIG. 3

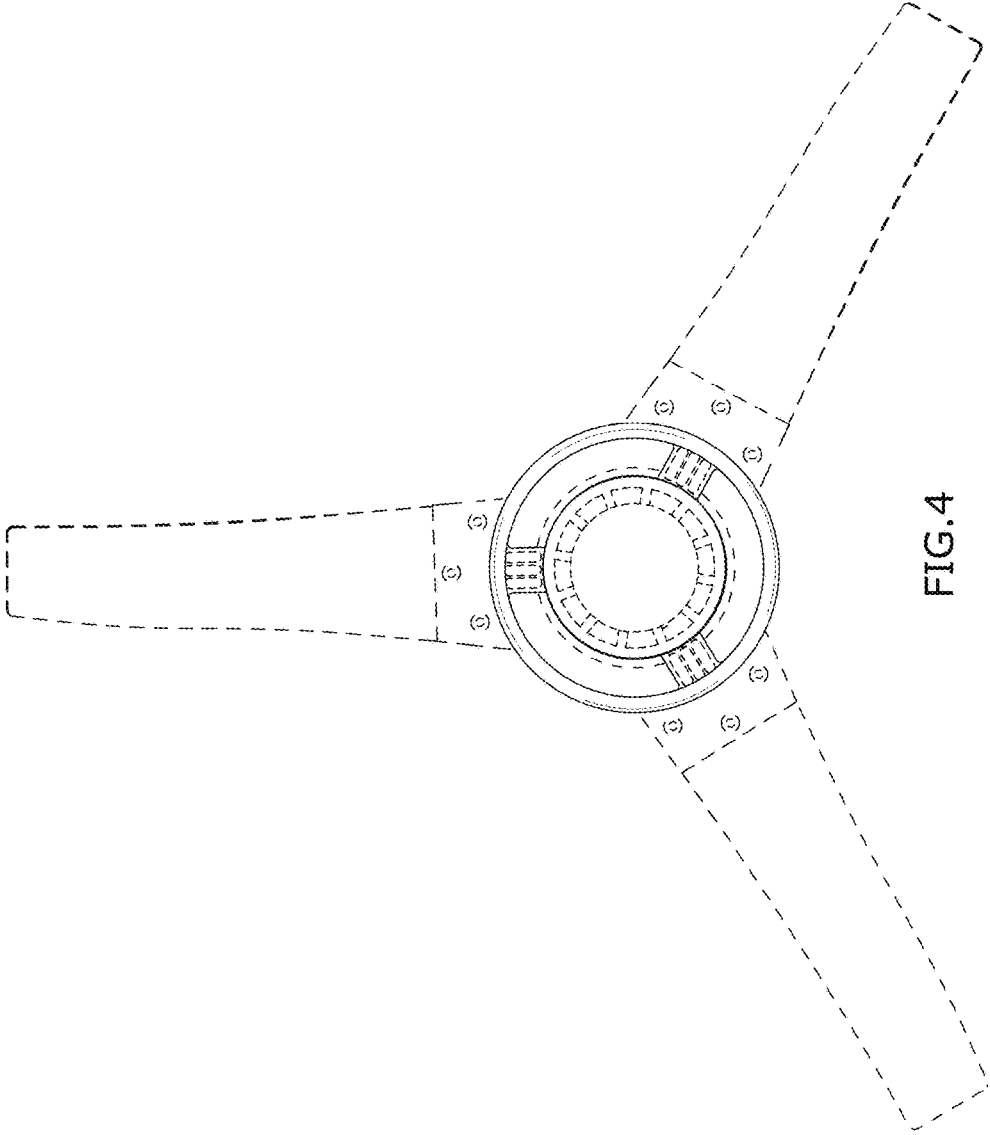


FIG.4

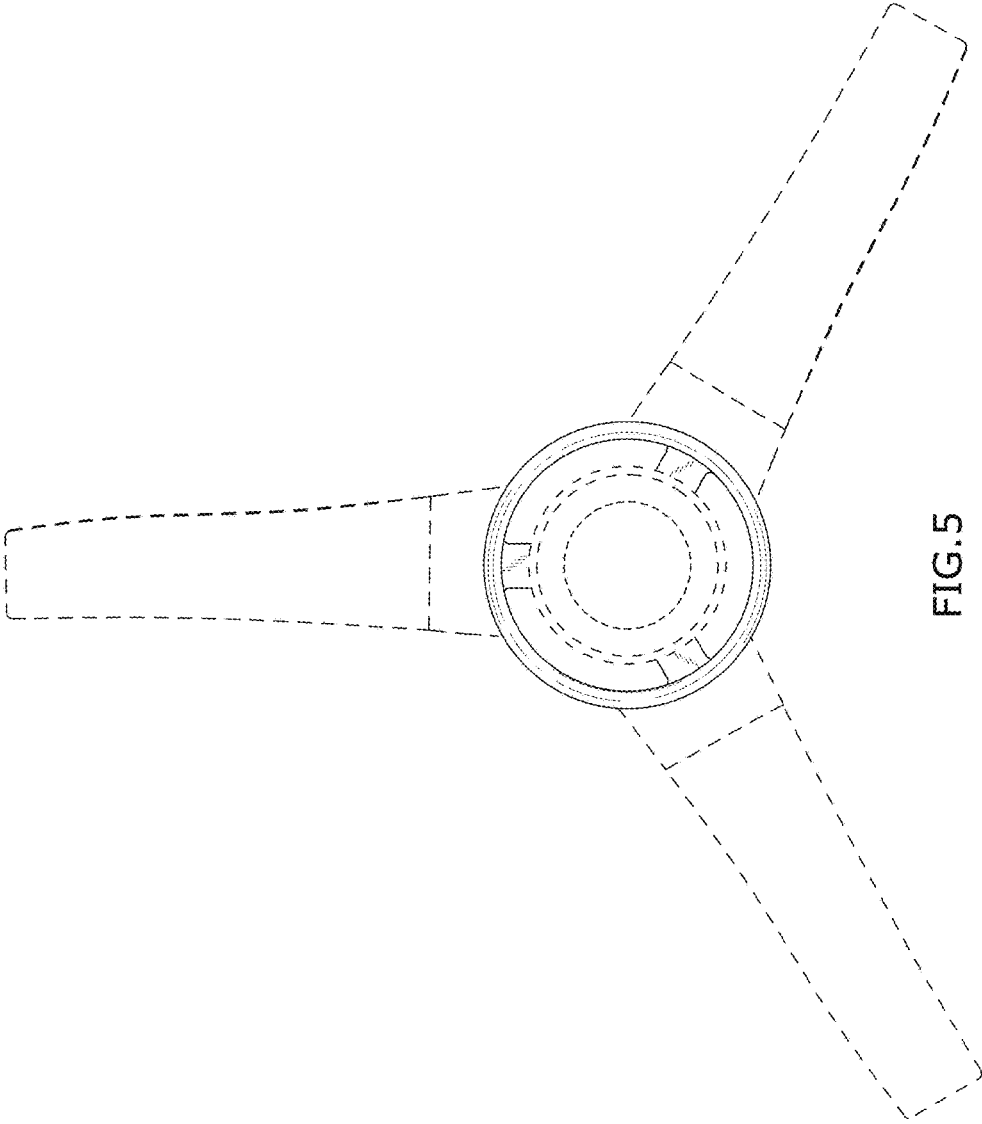


FIG. 5