

(19) World Intellectual Property Organization
International Bureau



(43) International Publication Date
26 October 2006 (26.10.2006)

PCT

(10) International Publication Number
WO 2006/111973 A3

- (51) International Patent Classification:
G11B 7/24 (2006.01) B32B 3/02 (2006.01)
G11B 3/70 (2006.01)
- (21) International Application Number:
PCT/IL2006/000489
- (22) International Filing Date: 20 April 2006 (20.04.2006)
- (25) Filing Language: English
- (26) Publication Language: English
- (30) Priority Data:
60/672,982 20 April 2005 (20.04.2005) US
11/290,818 1 December 2005 (01.12.2005) US

(74) Agent: REINHOLD COHN AND PARTNERS; P.O.B. 4060, 61040 Tel-Aviv (IL).

(81) Designated States (unless otherwise indicated, for every kind of national protection available): AE, AG, AL, AM, AT, AU, AZ, BA, BB, BG, BR, BW, BY, BZ, CA, CH, CN, CO, CR, CU, CZ, DE, DK, DM, DZ, EC, EE, EG, ES, FI, GB, GD, GE, GH, GM, HR, HU, ID, IL, IN, IS, JP, KE, KG, KM, KN, KP, KR, KZ, LC, LK, LR, LS, LT, LU, LV, LY, MA, MD, MG, MK, MN, MW, MX, MZ, NA, NG, NI, NO, NZ, OM, PG, PH, PL, PT, RO, RU, SC, SD, SE, SG, SK, SL, SM, SY, TJ, TM, TN, TR, TT, TZ, UA, UG, US, UZ, VC, VN, YU, ZA, ZM, ZW.

(71) Applicant (for all designated States except US): MEM-PILE INC. [US/US]; C/O PHS Corporate Services, Inc., Suite 5100, 1313 N. Market Street, Wilmington, Delaware 19801 (US).

(84) Designated States (unless otherwise indicated, for every kind of regional protection available): ARIPO (BW, GH, GM, KE, LS, MW, MZ, NA, SD, SL, SZ, TZ, UG, ZM, ZW), Eurasian (AM, AZ, BY, KG, KZ, MD, RU, TJ, TM), European (AT, BE, BG, CH, CY, CZ, DE, DK, EE, ES, FI, FR, GB, GR, HU, IE, IS, IT, LT, LU, LV, MC, NL, PL, PT, RO, SE, SI, SK, TR), OAPI (BF, BJ, CF, CG, CI, CM, GA, GN, GQ, GW, ML, MR, NE, SN, TD, TG).

- (72) Inventors; and
- (75) Inventors/Applicants (for US only): LIVSHITS, David [IL/IL]; 17/13 Hatsionut Street, 77452 Ashdod (IL). ALPERT, Ortal [IL/IL]; 16 Ha'arazim Street, 96182 Jerusalem (IL). SALOMON, Yair [IL/IL]; 33/1 Bitsur, 96400 Jerusalem (IL).

Published:
— with international search report

(88) Date of publication of the international search report:
22 May 2009

(54) Title: A THREE DIMENSIONAL OPTICAL INFORMATION CARRIER AND A METHOD OF MANUFACTURING THEREOF

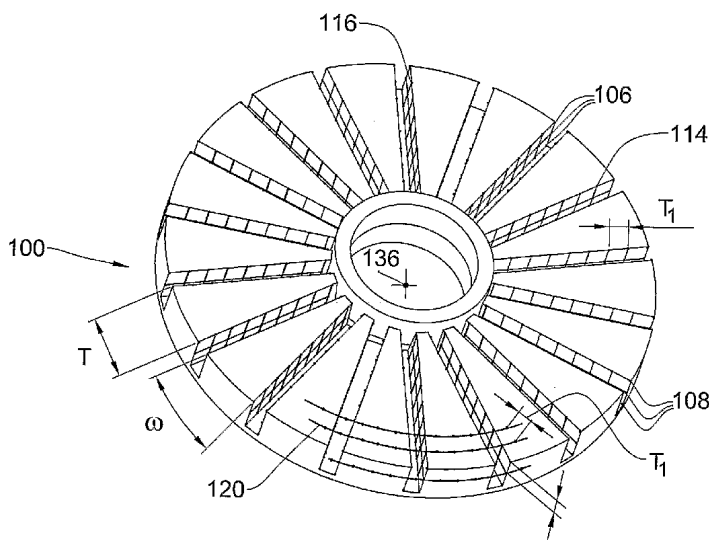


FIG. 2

(57) Abstract: A three dimensional optical information carrier (100) is present, the information carrier comprises formatting marks (114) disposed on the nodes (116) of a predefined three dimensional grid (168) in the body of the carrier.

WO 2006/111973 A3

INTERNATIONAL SEARCH REPORT

International application No.

PCT/IL06/00489

A. CLASSIFICATION OF SUBJECT MATTER

IPC: G11B 7/24(2006.01);G11B 3/70(2006.01);B32B 3/02(2006.01)

USPC: 369/272.1;720/718;428/64.1

According to International Patent Classification (IPC) or to both national classification and IPC

B. FIELDS SEARCHED

Minimum documentation searched (classification system followed by classification symbols)
U.S. : 369/272.1, 275.1, 273, 283, 286; 720/718; 428/64.1, 62.4, 64.2

Documentation searched other than minimum documentation to the extent that such documents are included in the fields searched

Electronic data base consulted during the international search (name of data base and, where practicable, search terms used)
EAST

C. DOCUMENTS CONSIDERED TO BE RELEVANT

Category *	Citation of document, with indication, where appropriate, of the relevant passages	Relevant to claim No.
X	US 6,590,852 (McCormick, Jr.) 8 July 2003	1-75

Further documents are listed in the continuation of Box C.

See patent family annex.

* Special categories of cited documents:

"A" document defining the general state of the art which is not considered to be of particular relevance

"E" earlier application or patent published on or after the international filing date

"L" document which may throw doubts on priority claim(s) or which is cited to establish the publication date of another citation or other special reason (as specified)

"O" document referring to an oral disclosure, use, exhibition or other means

"P" document published prior to the international filing date but later than the priority date claimed

"T" later document published after the international filing date or priority date and not in conflict with the application but cited to understand the principle or theory underlying the invention

"X" document of particular relevance; the claimed invention cannot be considered novel or cannot be considered to involve an inventive step when the document is taken alone

"Y" document of particular relevance; the claimed invention cannot be considered to involve an inventive step when the document is combined with one or more other such documents, such combination being obvious to a person skilled in the art

"Z" document member of the same patent family

Date of the actual completion of the international search

19 June 2008 (19.06.2008)

Date of mailing of the international search report

01 AUG 2008

Name and mailing address of the ISA/US

Mail Stop PCT, Attn: ISA/US
Commissioner for Patents
P.O. Box 1450
Alexandria, Virginia 22313-1450

Facsimile No. (571) 273-3201

Authorized officer

/TAN X. DINH/

Telephone No. (703)305-4750