



(12) **United States Design Patent**  
**Tomsky**

(10) **Patent No.:** **US D894,656 S**  
(45) **Date of Patent:** **\*\* Sep. 1, 2020**

- (54) **ERGONOMIC FOOT REST**
- (71) Applicant: **Craig Tomsky**, Clinton Township, NJ (US)
- (72) Inventor: **Craig Tomsky**, Clinton Township, NJ (US)
- (\*\*) Term: **15 Years**
- (21) Appl. No.: **29/667,263**
- (22) Filed: **Oct. 19, 2018**
- (51) **LOC (12) Cl.** ..... **06-01**
- (52) **U.S. Cl.** ..... **D6/716.6**  
USPC ..... **D6/716.6**
- (58) **Field of Classification Search**  
USPC ..... D6/334-336, 349, 360, 364, 365, 366, D6/601, 716.6  
CPC .. A47C 7/18; A47C 16/02; A47C 7/50; A47C 7/503; A47C 7/52; A61G 5/1045; B68G 5/00; A47G 2009/1018  
See application file for complete search history.

D389,327 S	1/1998	King	
D390,020 S	2/1998	Huang	
D390,711 S	2/1998	Pearl	
D393,373 S	4/1998	Acosta	
D393,890 S	4/1998	Biliouris	
D424,828 S	5/2000	Ko	
6,142,571 A *	11/2000	Benden	A47C 7/52 297/423.4
D441,587 S *	5/2001	Cameron	D6/601
6,312,039 B1	11/2001	Bartz	
D451,292 S	12/2001	Cheris et al.	
D452,404 S *	12/2001	Cameron	D6/601

(Continued)

**FOREIGN PATENT DOCUMENTS**

CN	102940405	1/2016
CN	204930927	1/2016

(Continued)

*Primary Examiner* — Mimosa De  
(74) *Attorney, Agent, or Firm* — Gearhart Law LLC

(57) **CLAIM**

The ornamental design for an ergonomic foot rest, as shown and described.

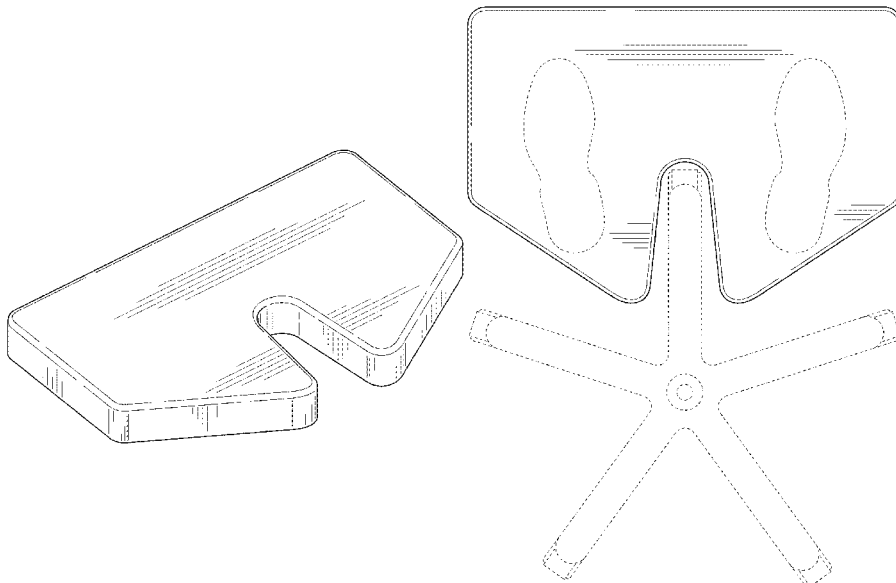
**DESCRIPTION**

FIG. 1 is a perspective view of the ergonomic foot rest.  
 FIG. 2 is a front view thereof.  
 FIG. 3 is a back view thereof.  
 FIG. 4 is a right side view thereof.  
 FIG. 5 is a left side view thereof.  
 FIG. 6 is a top view of thereof.  
 FIG. 7 is a bottom view of thereof; and,  
 FIG. 8 is a top view of the ergonomic footrest accommodating a castor of a chair and showing an exemplary foot position upon the ergonomic footrest.  
 The dashed lines shown in the drawings are used to illustrate the environment and form no part of the claimed design.

**1 Claim, 4 Drawing Sheets**

(56) **References Cited**  
**U.S. PATENT DOCUMENTS**

2,748,838 A *	6/1956	Scholl	A47C 16/02 297/423.41
3,820,844 A *	6/1974	Fortnann	A47C 7/52 297/423.37
D282,832 S	3/1986	Kain	
D302,361 S	7/1989	Roberts et al.	
D313,521 S	1/1991	Hassel et al.	
5,098,160 A	3/1992	Moore et al.	
5,174,631 A *	12/1992	Schaevitz	A47C 7/52 248/188.7
D348,784 S	7/1994	Hassel et al.	
D350,450 S	9/1994	Hassel et al.	
D367,369 S	2/1996	Lovegrove et al.	
D371,462 S	7/1996	Grossmith	
D379,271 S	5/1997	Starck	



(56)

References Cited

U.S. PATENT DOCUMENTS

6,634,716 B2 10/2003 Sander  
 D484,516 S 12/2003 McCord et al.  
 D485,444 S 1/2004 Nicoletti  
 D520,290 S 5/2006 Curtis  
 D540,074 S 4/2007 Peters  
 D585,202 S 1/2009 Curtis  
 D595,986 S \* 7/2009 Kloes ..... D6/601  
 D597,754 S 8/2009 Lukic et al.  
 D599,452 S 9/2009 Israel et al.  
 D599,453 S 9/2009 Israel et al.  
 7,669,934 B1 \* 3/2010 Cline ..... A47C 7/503  
 297/217.3  
 D621,630 S 8/2010 Curtis  
 D631,277 S 1/2011 Curtis  
 D631,278 S 1/2011 Curtis  
 D636,196 S 4/2011 Hickman et al.  
 D637,440 S \* 5/2011 Mettler ..... D6/601  
 D645,281 S \* 9/2011 de Jong ..... D6/716.6  
 D653,069 S 1/2012 Curtis  
 D656,355 S 3/2012 Curtis  
 D670,090 S 11/2012 Miucci  
 D670,093 S 11/2012 Miucci  
 8,465,099 B2 6/2013 Addy  
 8,517,472 B1 8/2013 Proctor  
 D716,959 S 11/2014 Hong  
 D722,449 S \* 2/2015 Krishtul  
 D725,923 S 4/2015 Kaye  
 D725,924 S 4/2015 Kaye

D725,925 S 4/2015 Kaye  
 D736,940 S 8/2015 McKay  
 D738,125 S 9/2015 Biddle et al.  
 D738,126 S 9/2015 Edwards  
 D764,189 S 8/2016 Edwards et al.  
 D766,604 S 9/2016 Edwards  
 D767,291 S 9/2016 Edwards et al.  
 9,549,615 B1 \* 1/2017 Su ..... A47C 7/52  
 9,609,951 B2 \* 4/2017 Chan ..... A47C 7/18  
 D787,845 S 5/2017 Edwards  
 D790,238 S 6/2017 Little et al.  
 D797,466 S 9/2017 Zioni  
 D800,462 S 10/2017 Edwards  
 D801,095 S 10/2017 Konghe  
 9,808,092 B2 11/2017 Kipling  
 D805,323 S \* 12/2017 Chan ..... D6/601  
 D845,033 S \* 4/2019 Berg ..... D6/601  
 D848,765 S \* 5/2019 Chen ..... D6/601  
 D850,818 S \* 6/2019 Xiang ..... D6/601  
 D880,194 S \* 4/2020 Chen ..... D6/601  
 2005/0000020 A1 1/2005 Schermel  
 2006/0014586 A1 1/2006 Gatto et al.  
 2008/0124509 A1 5/2008 Boise

FOREIGN PATENT DOCUMENTS

CN 105476763 4/2016  
 DE 202013008398 4/2014  
 KR 20080037641 4/2008  
 WO 9934706 A1 7/1999

\* cited by examiner

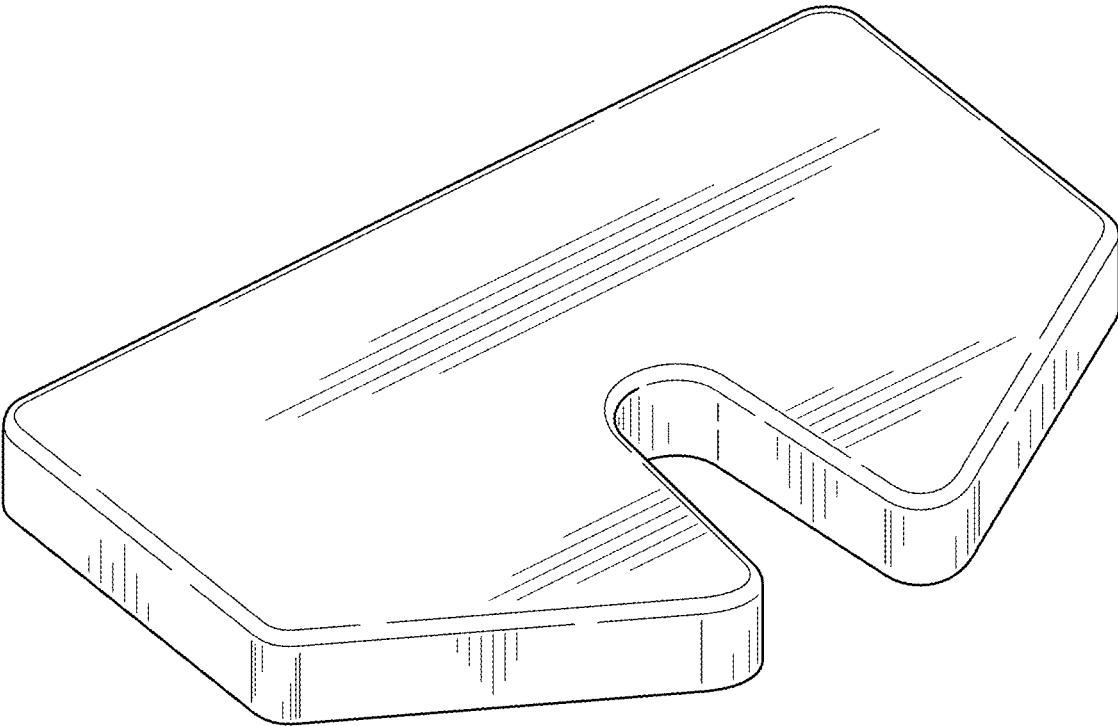


FIG. 1

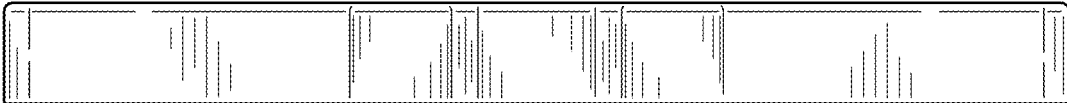


FIG. 2



FIG. 3



FIG. 4



FIG. 5

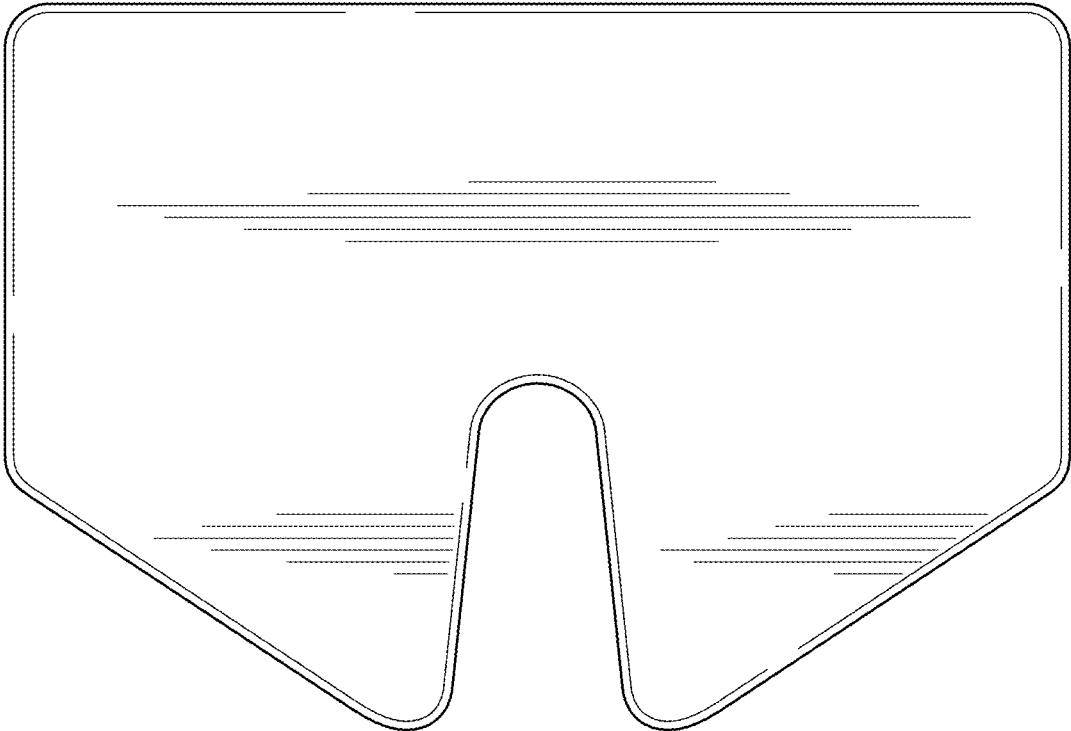


FIG. 6

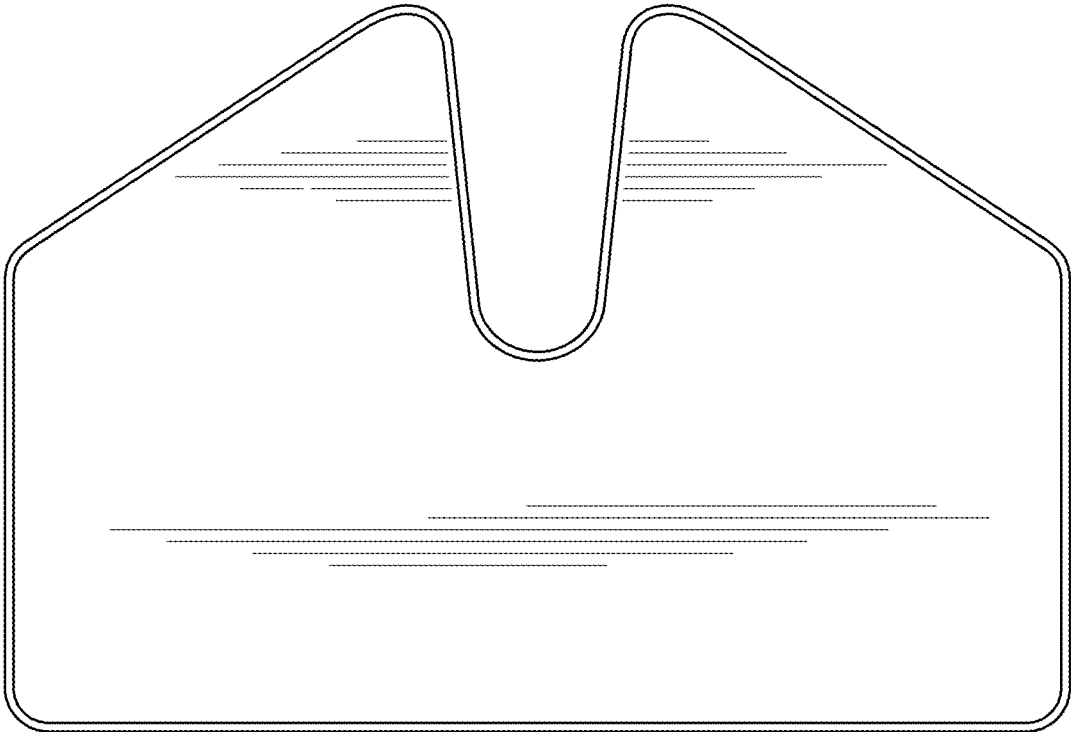


FIG. 7

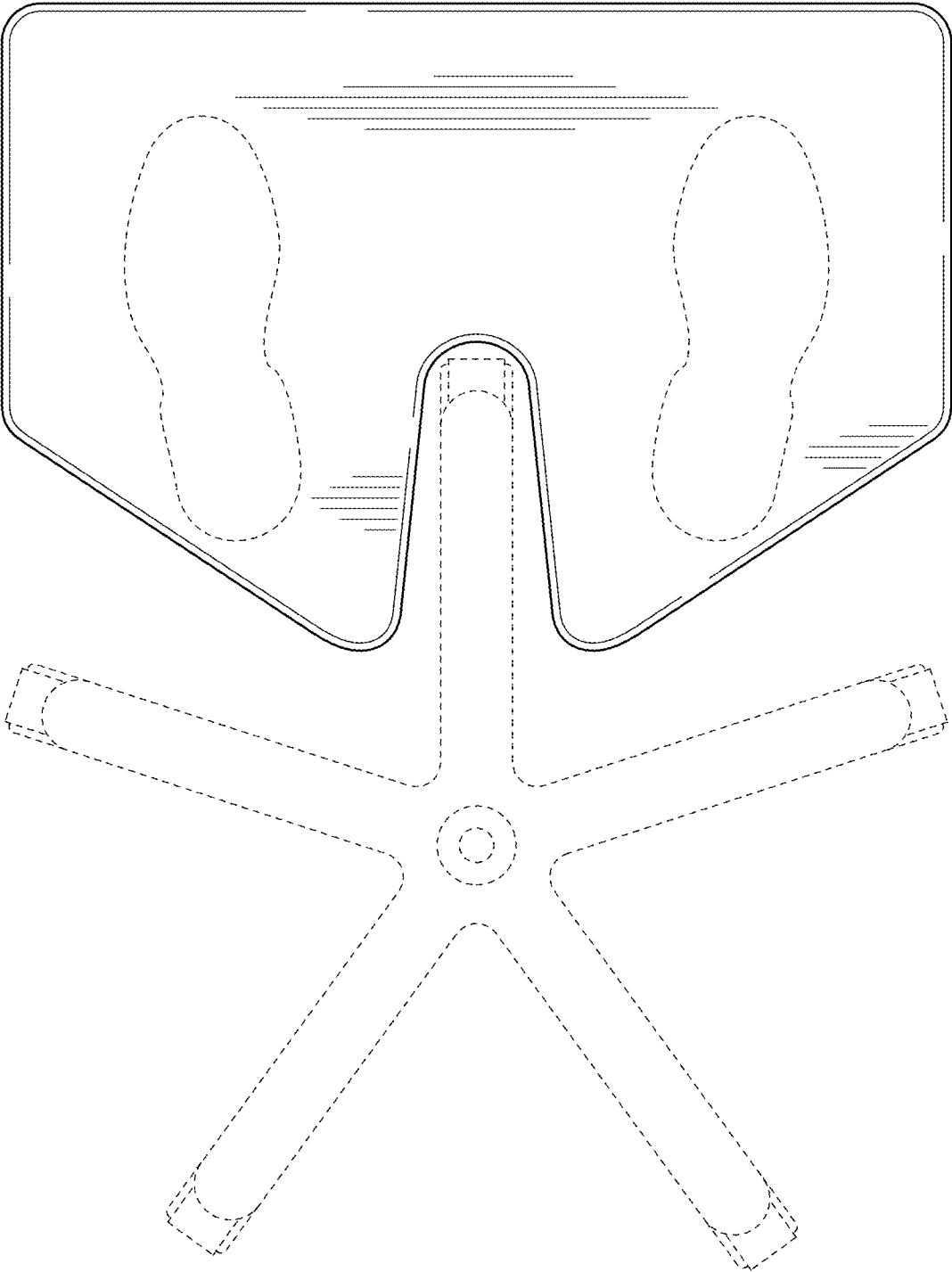


FIG. 8