



(12) **United States Design Patent**  
**Chen**

(10) **Patent No.:** **US D1,031,663 S**  
(45) **Date of Patent:** **\*\* Jun. 18, 2024**

(54) **OUTLET EXTENDER**

(71) Applicant: **Shengyu Chen**, Guangdong (CN)  
(72) Inventor: **Shengyu Chen**, Guangdong (CN)  
(\*\*) Term: **15 Years**  
(21) Appl. No.: **29/929,031**

(22) Filed: **Feb. 19, 2024**  
(51) **LOC (14) Cl.** ..... **13-03**  
(52) **U.S. Cl.** ..... **D13/137.2**  
USPC ..... **D13/137.2**  
(58) **Field of Classification Search**  
USPC ..... D13/137.1–137.4, 138.1–138.2,  
D13/139.1–139.8, 199  
CPC ..... H01R 13/4532; H01R 29/00  
See application file for complete search history.

(56) **References Cited**

**U.S. PATENT DOCUMENTS**

|            |    |   |         |          |       |              |
|------------|----|---|---------|----------|-------|--------------|
| D443,589   | S  | * | 6/2001  | Tong     | ..... | D13/137.2    |
| D469,402   | S  | * | 1/2003  | Bukiri   | ..... | D13/137.1    |
| D591,239   | S  | * | 4/2009  | Caplan   | ..... | D13/137.2    |
| D680,953   | S  | * | 4/2013  | Kuo      | ..... | D13/137.2    |
| 9,831,622  | B1 | * | 11/2017 | Lin      | ..... | H01R 29/00   |
| D807,828   | S  |   | 1/2018  | Xu       |       |              |
| D826,159   | S  | * | 8/2018  | Tao      | ..... | D13/137.2    |
| 10,211,583 | B2 | * | 2/2019  | Liao     | ..... | H01R 13/4532 |
| D871,344   | S  | * | 12/2019 | Lyu      | ..... | D13/139.8    |
| D894,838   | S  | * | 9/2020  | Chen     | ..... | D13/139.7    |
| D895,554   | S  | * | 9/2020  | Jianting | ..... | D13/137.2    |
| D899,374   | S  | * | 10/2020 | Amoss    | ..... | D13/138.2    |
| D899,375   | S  | * | 10/2020 | Bao      | ..... | D13/137.2    |
| D924,806   | S  | * | 7/2021  | Li       | ..... | D13/137.2    |
| D955,994   | S  | * | 6/2022  | Lin      | ..... | D13/137.2    |
| D957,342   | S  | * | 7/2022  | Zhou     | ..... | D13/137.2    |
| D959,380   | S  | * | 8/2022  | Liu      | ..... | D13/137.2    |
| D970,448   | S  | * | 11/2022 | Zhou     | ..... | D13/137.2    |
| D975,020   | S  | * | 1/2023  | Tan      | ..... | D13/137.2    |
| D981,961   | S  | * | 3/2023  | Liu      | ..... | D13/137.2    |
| D1,003,249 | S  | * | 10/2023 | Hu       | ..... | D13/137.2    |
| D1,019,570 | S  | * | 3/2024  | Guo      | ..... | D13/139.8    |

**OTHER PUBLICATIONS**

“Tessan 30W . . .” reference dated May 4, 2024 found by RMS on the internet at: <https://tessan.com/products/tessan-30w-usb-c-wall-charger-fast-charging-multi-plug-adapter>.  
“WBM Smart Multi . . .” reference dated May 4, 2024 found by RMS on the internet at: <https://wbminternational.com/product/wbm-smart-multi-plug-outlet-6-outlet-extender-with-2-usb-charging-ports-usb-c-night-light-3-sided-power-strip-with-adapter-spaced-outlets>.  
“Flat Electrical . . .” reference dated May 4, 2024 found by RMS on the internet at: [https://www.amazon.com/Electrical-Extender-Extension-Protector-Office/dp/B0C7MV2KYK/ref=asc\\_df\\_B0C7MV2KYK/?tag=hyprod-20&linkCode=df0&hvadid=693308325733&hvpos=&hvnetw=g&hvrnd=8346255270213679603&hvpone=&hvptwo=&hvqmt=&hvdev=c&hvdvcmdl](https://www.amazon.com/Electrical-Extender-Extension-Protector-Office/dp/B0C7MV2KYK/ref=asc_df_B0C7MV2KYK/?tag=hyprod-20&linkCode=df0&hvadid=693308325733&hvpos=&hvnetw=g&hvrnd=8346255270213679603&hvpone=&hvptwo=&hvqmt=&hvdev=c&hvdvcmdl).

\* cited by examiner

*Primary Examiner* — Rhea Shields  
(74) *Attorney, Agent, or Firm* — Daniel M. Cohn;  
Howard M. Cohn

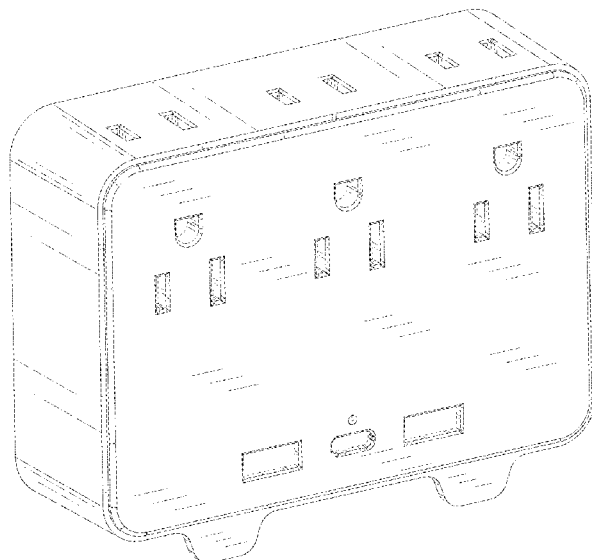
(57) **CLAIM**

The ornamental design for an outlet extender, as shown and described.

**DESCRIPTION**

FIG. 1 is a perspective view of an outlet extender showing my new design;  
FIG. 2 and FIG. 3 are another perspective views thereof;  
FIG. 4 is a front view thereof;  
FIG. 5 is a back view thereof;  
FIG. 6 is a left view thereof;  
FIG. 7 is a right view thereof;  
FIG. 8 is a top plan view thereof; and,  
FIG. 9 is a bottom plan view thereof;  
The broken lines depict portions of the outlet extender and form no part of the claimed design.

**1 Claim, 9 Drawing Sheets**



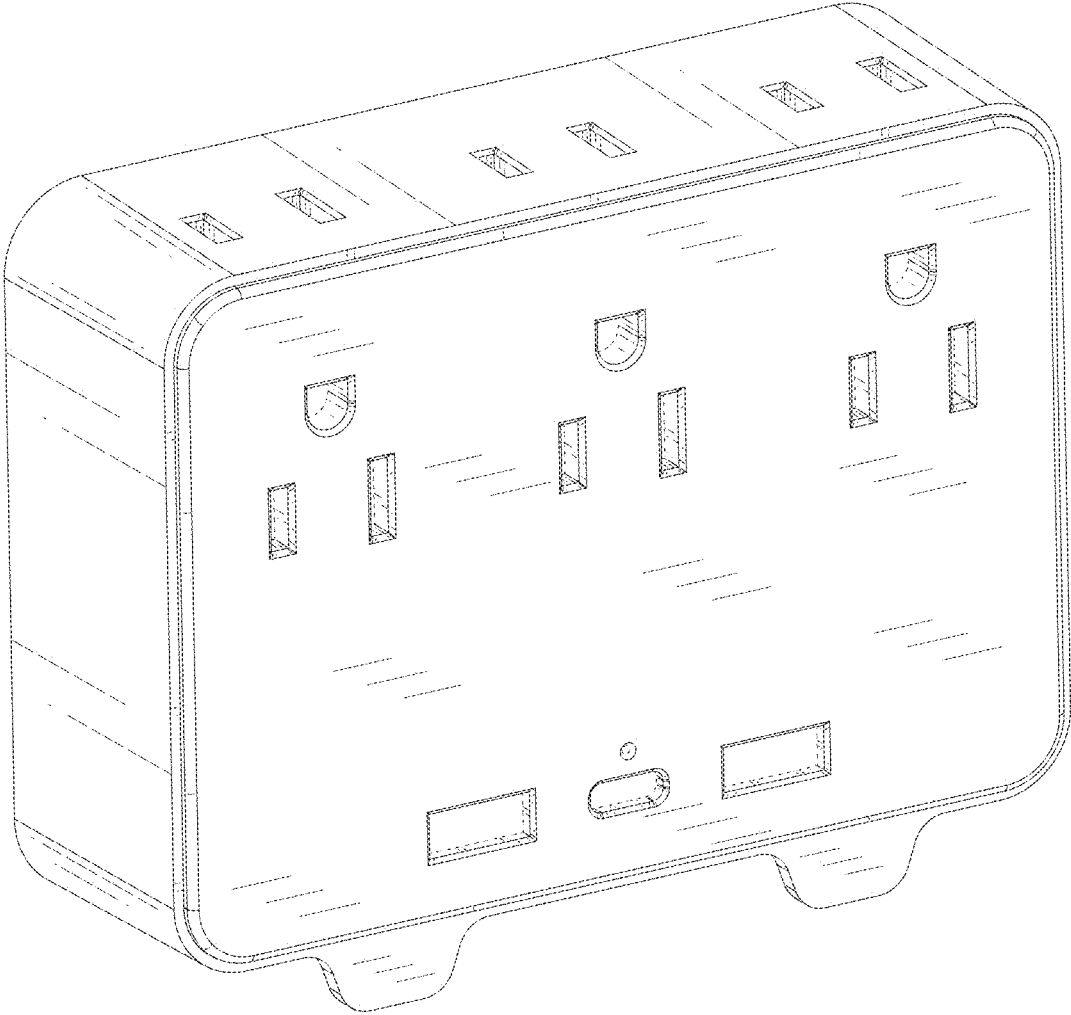


FIG. 1

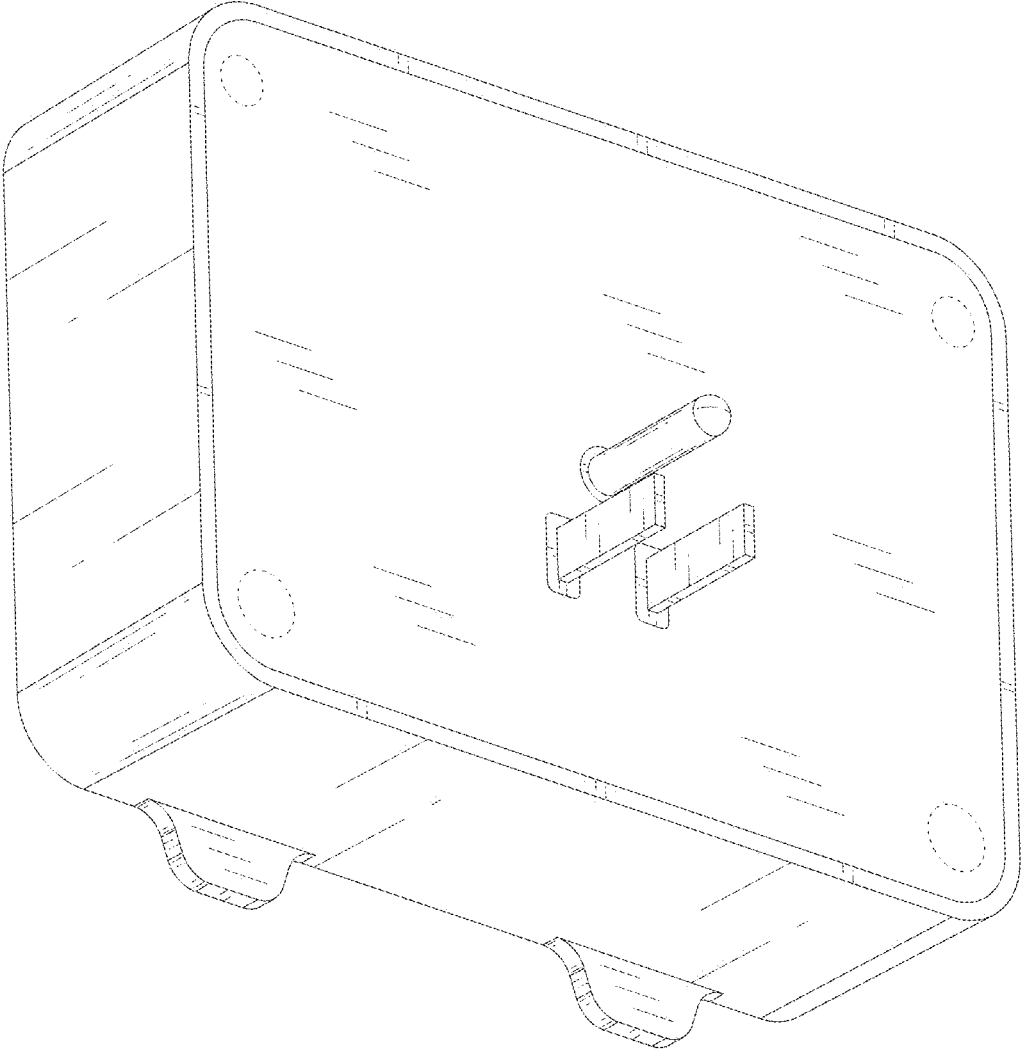


FIG. 2

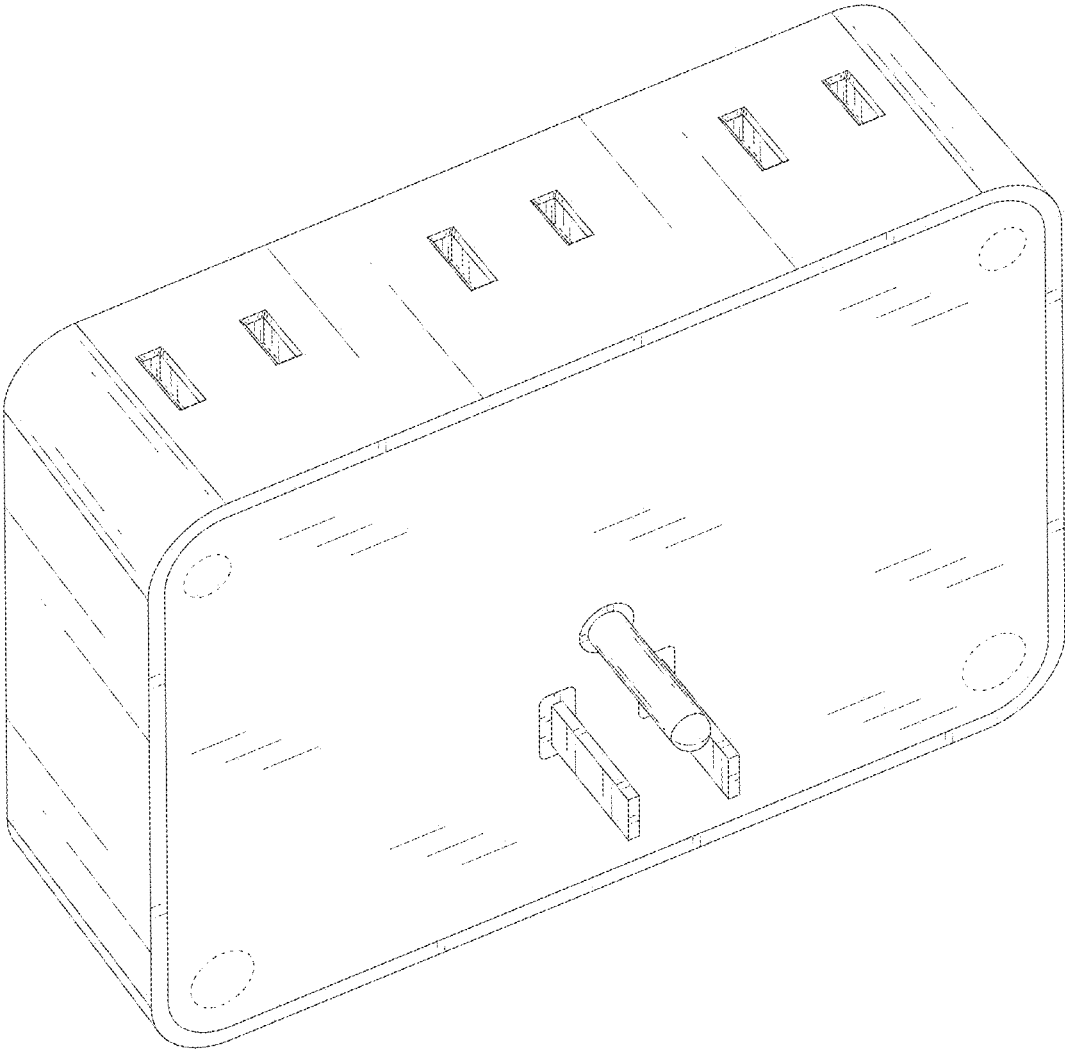


FIG. 3

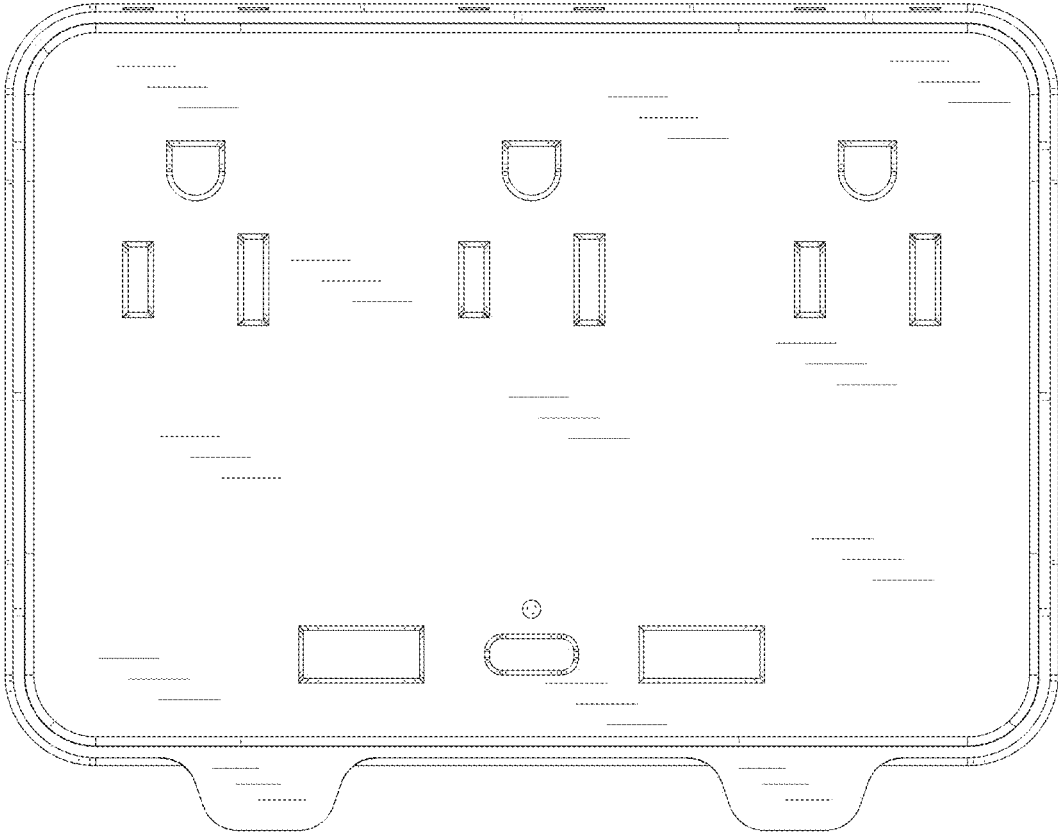


FIG. 4

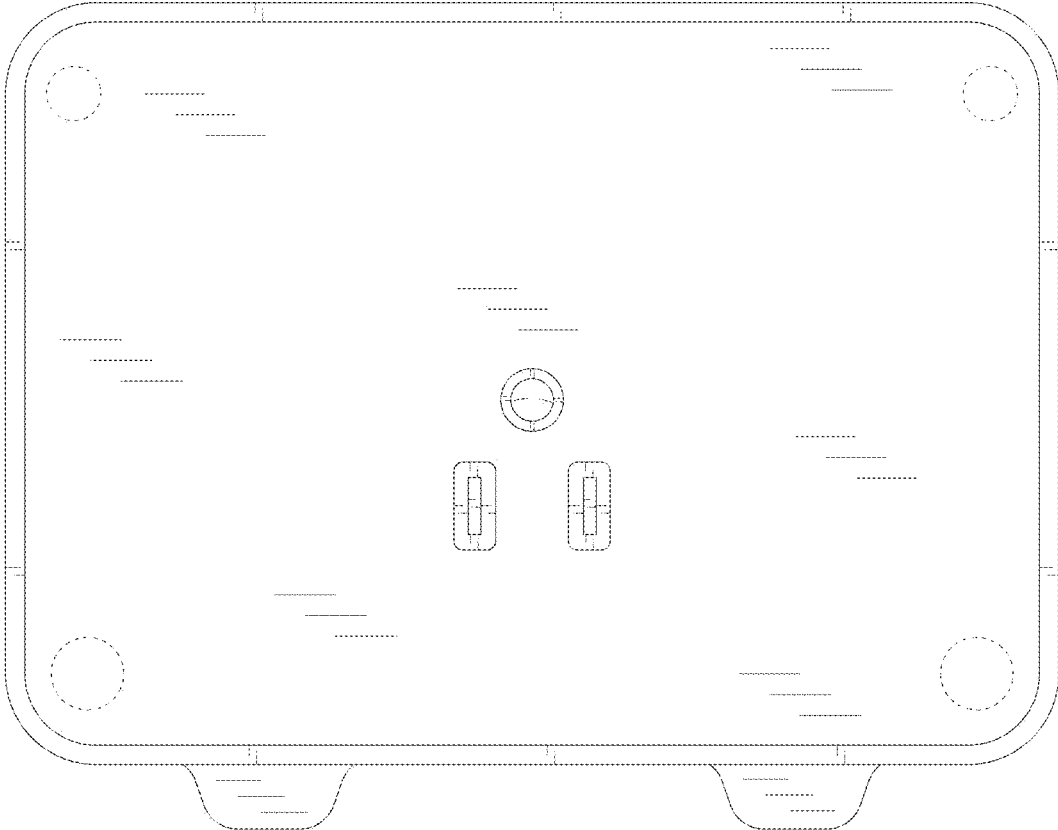


FIG. 5

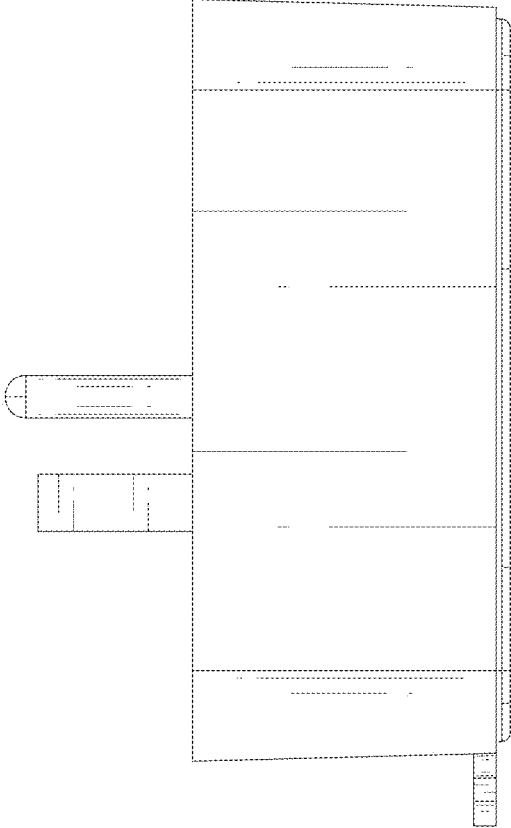


FIG. 6

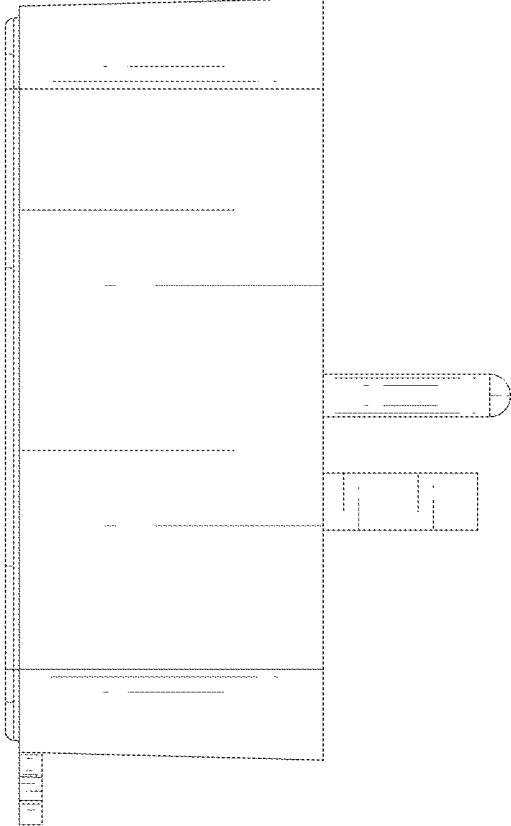


FIG. 7

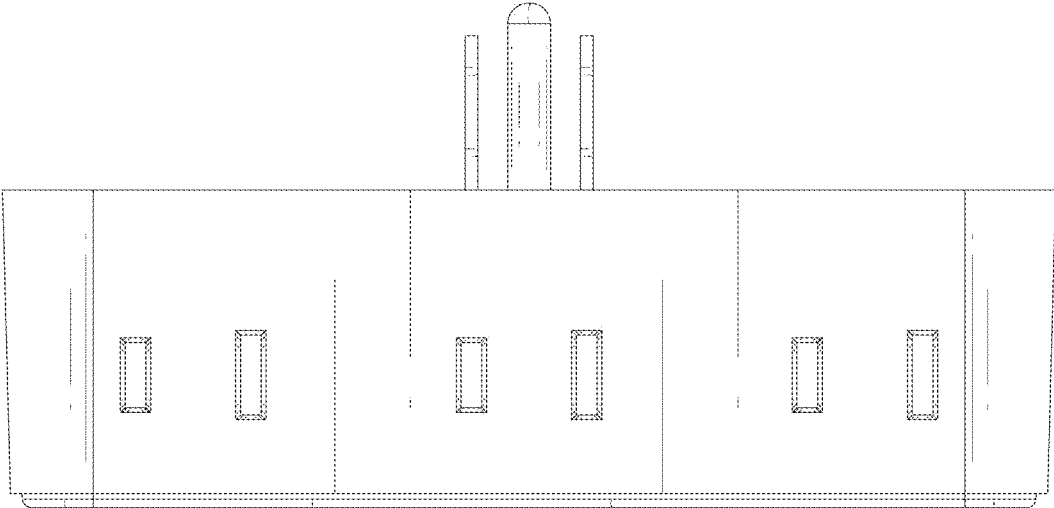


FIG. 8

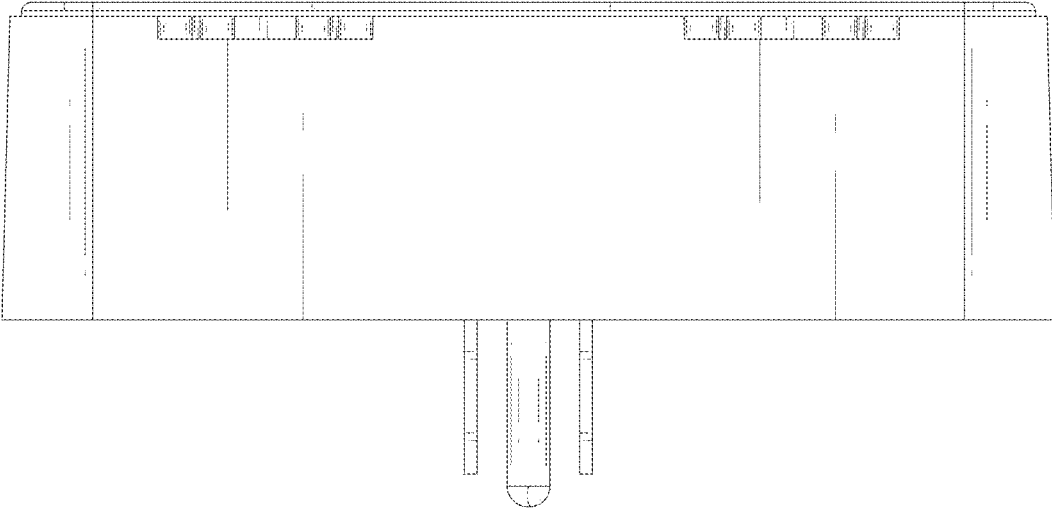


FIG. 9