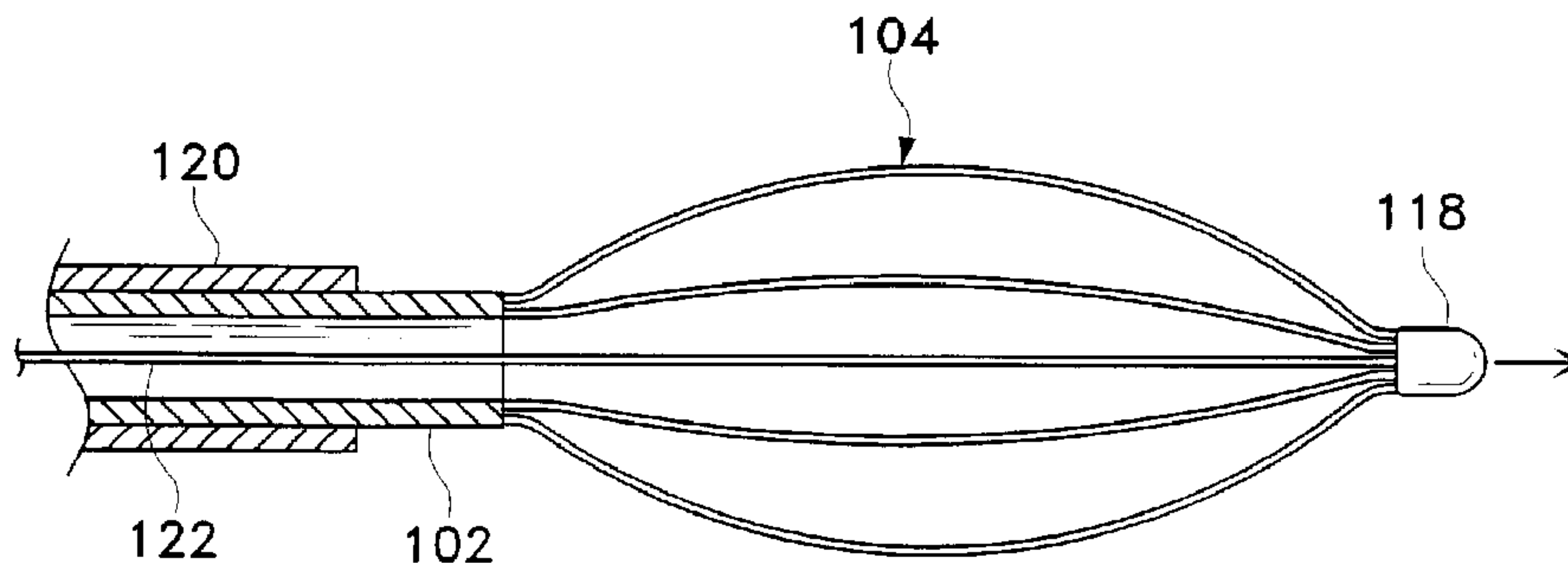




(86) Date de dépôt PCT/PCT Filing Date: 2000/04/21
 (87) Date publication PCT/PCT Publication Date: 2000/10/26
 (85) Entrée phase nationale/National Entry: 2001/10/22
 (86) N° demande PCT/PCT Application No.: US 2000/010847
 (87) N° publication PCT/PCT Publication No.: 2000/062699
 (30) Priorités/Priorities: 1999/04/21 (09/296,040) US;
 1999/11/08 (09/436,455) US; 2000/03/27 (09/535,856) US

(51) Cl.Int.⁷/Int.Cl.⁷ A61B 18/14
 (71) Demandeur/Applicant:
 BRNCUS TECHNOLOGIES, INC., US
 (72) Inventeurs/Inventors:
 ROSS, JOHN ARTHUR, US;
 HAUGAARD, DAVE, US;
 DANEK, CHRISTOPHER JAMES, US;
 BURGER, KEITH M., US;
 BIGGS, MICHAEL, US;
 LOOMAS, BRYAN, US;
 KEAST, THOMAS, US
 (74) Agent: BORDEN LADNER GERVAIS LLP

(54) Titre : **MODIFICATION DES VOIES AERIENNES PAR APPLICATION D'UNE ENERGIE**
 (54) Title: **MODIFICATION OF AIRWAYS BY APPLICATION OF ENERGY**



(57) **Abrégé/Abstract:**

This relates to methods and devices for treating reversible chronic obstructive pulmonary disease, and more particularly, relates to a device for exchanging energy with airway tissue such as that found in the airways of human lungs. The exchange of energy with this airway tissue in the airways reduces the ability of the airways to constrict and/or reduces the resistance within the airway to the flow of air through the airway. This also relates to a method for decreasing responsiveness or decreasing resistance to airflow of airways involves the transfer of energy to or from the airway walls to prevent or reduce airway constriction and other symptoms of lung diseases. The treatment reduces the ability of the airways to contract during an acute narrowing of the airways, reduces mucus plugging of the airways, and/or increases the airway diameter. The methods according to the present invention provide a longer duration and/or more effective treatment for lung diseases than currently used drug treatments, and obviate patient compliance issues. This also includes additional steps that reduce the ability of the lung to produce at least one of the symptoms of reversible obstructive pulmonary disease and to reduce the resistance to the flow of air through a lung.



(12) INTERNATIONAL APPLICATION PUBLISHED UNDER THE PATENT COOPERATION TREATY (PCT)

(19) World Intellectual Property Organization
International Bureau



(43) International Publication Date
26 October 2000 (26.10.2000)

PCT

(10) International Publication Number
WO 00/62699 A3

(51) International Patent Classification⁷: **A61B 18/14**

Suite 8, 1400 N. Shoreline Boulevard, Mountain View, CA 94043 (US).

(21) International Application Number: PCT/US00/10847

(22) International Filing Date: 21 April 2000 (21.04.2000)

(72) Inventors; and

(25) Filing Language: English

(75) Inventors/Applicants (*for US only*): **DANEK, Christopher, James** [US/US]; 1370 Warburton Avenue #8, Santa Clara, CA 95050 (US). **KEAST, Thomas** [US/US]; 860 Park Drive #3, Mountain View, CA 94040 (US). **LOOMAS, Bryan** [US/US]; 17751 McKinnon Drive, Saratoga, CA 95070 (US). **BIGGS, Michael** [US/US]; 220 Corbett Avenue, San Francisco, CA 94114 (US). **BURGER, Keith, M.** [US/US]; 1856 Franklin Street #2, San Francisco, CA 94109 (US). **HAUGAARD, Dave** [US/US]; 256 North 3rd Street #6, San Jose, CA 95112 (US). **ROSS, John, Arthur** [US/US]; 23032 Joaquin Court, Tracey, CA 95376 (US).

(26) Publication Language: English

(30) Priority Data:

09/296,040	21 April 1999 (21.04.1999)	US
09/436,455	8 November 1999 (08.11.1999)	US
09/535,856	27 March 2000 (27.03.2000)	US

(63) Related by continuation (CON) or continuation-in-part (CIP) to earlier applications:

US	09/535,856 (CIP)
Filed on	27 March 2000 (27.03.2000)
US	09/436,455 (CIP)
Filed on	8 November 1999 (08.11.1999)
US	09/296,040 (CIP)
Filed on	21 April 1999 (21.04.1999)

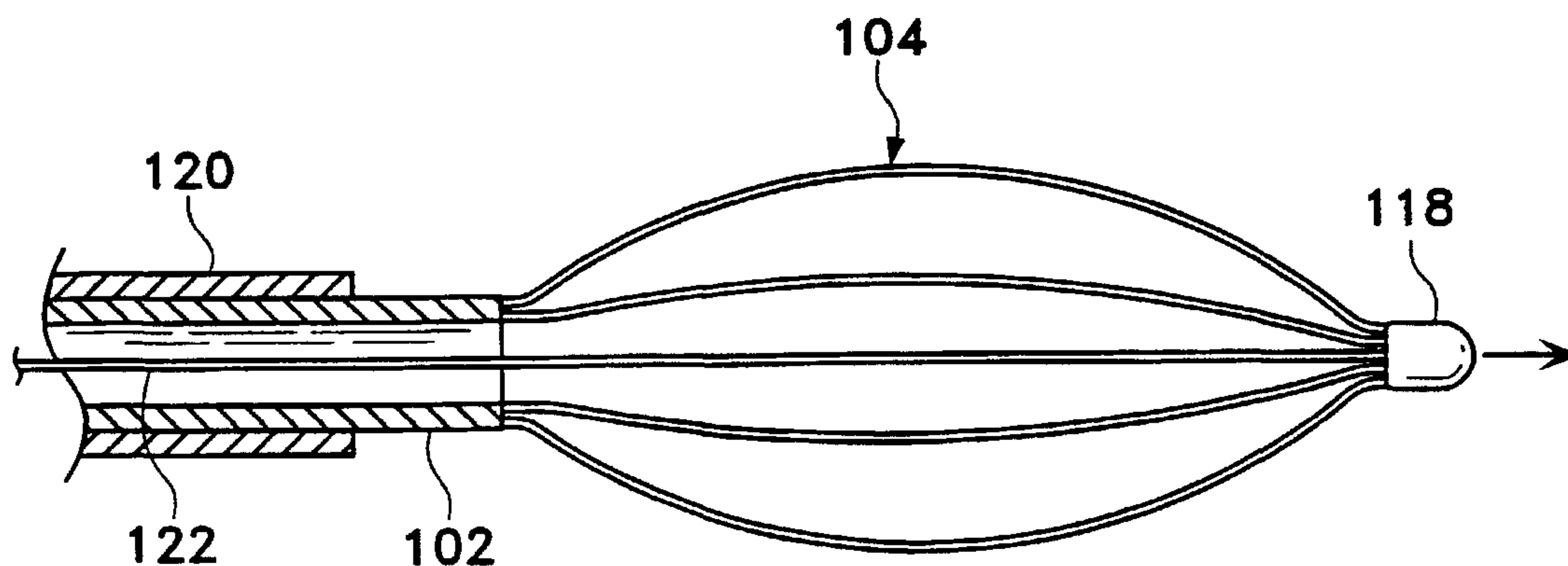
(74) Agents: **BAGADE, Sanjay, S.** et al.; Morrison & Foerster LLP, 755 Page Mill Road, Palo Alto, CA 94304-1018 (US).

(71) Applicant (*for all designated States except US*): **BRONCUS TECHNOLOGIES, INC.** [US/US]; Building A,

(81) Designated States (*national*): AE, AL, AM, AT, AU, AZ, BA, BB, BG, BR, BY, CA, CH, CN, CR, CU, CZ, DE, DK, DM, EE, ES, FI, GB, GD, GE, GH, GM, HR, HU, ID, IL, IN, IS, JP, KE, KG, KP, KR, KZ, LC, LK, LR, LS, LT, LU, LV, MA, MD, MG, MK, MN, MW, MX, NO, NZ, PL, PT,

[Continued on next page]

(54) Title: MODIFICATION OF AIRWAYS BY APPLICATION OF ENERGY



(57) Abstract: This relates to methods and devices for treating reversible chronic obstructive pulmonary disease, and more particularly, relates to a device for exchanging energy with airway tissue such as that found in the airways of human lungs. The exchange of energy with this airway tissue in the airways reduces the ability of the airways to constrict and/or reduces the resistance within the airway to the flow of air through the airway. This also relates to a method for decreasing responsiveness or decreasing resistance to airflow of airways involves the transfer of energy to or from the airway walls to prevent or reduce airway constriction and other symptoms of lung diseases. The treatment reduces the ability of the airways to contract during an acute narrowing of the airways, reduces mucus plugging of the airways, and/or increases the airway diameter. The methods according to the present invention provide a longer duration and/or more effective treatment for lung diseases than currently used drug treatments, and obviate patient compliance issues. This also includes additional steps that reduce the ability of the lung to produce at least one of the symptoms of reversible obstructive pulmonary disease and to reduce the resistance to the flow of air through a lung.

WO 00/62699 A3

WO 00/62699 A3

RO, RU, SD, SE, SG, SI, SK, SL, TJ, TM, TR, TT, TZ, UA,
UG, US, UZ, VN, YU, ZA, ZW.

Published:

— *With international search report.*

(84) Designated States (regional): ARIPO patent (GH, GM, KE, LS, MW, SD, SL, SZ, TZ, UG, ZW), Eurasian patent (AM, AZ, BY, KG, KZ, MD, RU, TJ, TM), European patent (AT, BE, CH, CY, DE, DK, ES, FI, FR, GB, GR, IE, IT, LU, MC, NL, PT, SE), OAPI patent (BF, BJ, CF, CG, CI, CM, GA, GN, GW, ML, MR, NE, SN, TD, TG).

(88) Date of publication of the international search report:
26 April 2001

For two-letter codes and other abbreviations, refer to the "Guidance Notes on Codes and Abbreviations" appearing at the beginning of each regular issue of the PCT Gazette.

MODIFICATION OF AIRWAYS BY APPLICATION OF ENERGY

BACKGROUND OF THE INVENTION

Field of the Invention

5 The invention relates to methods of treating a lung having at least one symptom of reversible obstructive pulmonary disease, and more particularly, the invention relates to devices for transferring energy into airway tissue to at least reduce the ability of the lung to produce at least one of the symptoms of reversible obstructive pulmonary disease. The invention includes additional steps that reduce the ability of the lung to produce at least one
10 of the symptoms of reversible obstructive pulmonary disease and to reduce the resistance to the flow of air through a lung.

Brief Description of the Related Art

 Reversible obstructive pulmonary disease includes asthma and reversible aspects of
15 chronic obstructive pulmonary disease (COPD). Asthma is a disease in which (i) bronchoconstriction, (ii) excessive mucus production, and (iii) inflammation and swelling of airways occur, causing widespread but variable airflow obstruction thereby making it difficult for the asthma sufferer to breathe. Asthma is a chronic disorder, primarily characterized by persistent airway inflammation. Asthma is further characterized by acute
20 episodes of additional airway narrowing via contraction of hyper-responsive airway smooth muscle.

 The reversible aspects of COPD generally describe excessive mucus production in the bronchial tree. Usually, there is a general increase in bulk (hypertrophy) of the large bronchi and chronic inflammatory changes in the small airways. Excessive amounts of
25 mucus are found in the airways and semisolid plugs of mucus may occlude some small bronchi. Also, the small airways are narrowed and show inflammatory changes. The reversible aspects of COPD include partial airway occlusion by excess secretions and airway narrowing secondary to smooth muscle contraction, bronchial wall edema and inflation of the airways

30 In asthma, chronic inflammatory processes in the airway play a central role in increasing the resistance to airflow within the lungs. Many cells and cellular elements are

involved in the inflammatory process, particularly mast cells, eosinophils T lymphocytes, neutrophils, epithelial cells, and even airway smooth muscle itself. The reactions of these cells result in an associated increase in the existing sensitivity and hyper-responsiveness of the airway smooth muscle cells that line the airways to the particular stimuli involved.

5 The chronic nature of asthma can also lead to remodeling of the airway wall (i.e., structural changes such as thickening or edema) which can further affect the function of the airway wall and influence airway hyper-responsiveness. Other physiologic changes associated with asthma include excess mucus production, and if the asthma is severe, mucus plugging, as well as ongoing epithelial denudation and repair. Epithelial denudation
10 exposes the underlying tissue to substances that would not normally come in contact with them, further reinforcing the cycle of cellular damage and inflammatory response.

In susceptible individuals, asthma symptoms include recurrent episodes of shortness of breath (dyspnea), wheezing, chest tightness, and cough. Currently, asthma is managed by a combination of stimulus avoidance and pharmacology.

15 Stimulus avoidance is accomplished via systematic identification and minimization of contact with each type of stimuli. It may, however, be impractical and not always helpful to avoid all potential stimuli.

Asthma is managed pharmacologically by: (1) long term control through use of anti-inflammatories and long-acting bronchodilators and (2) short term management of
20 acute exacerbations through use of short-acting bronchodilators. Both of these approaches require repeated and regular use of the prescribed drugs. High doses of corticosteroid anti-inflammatory drugs can have serious side effects that require careful management. In addition, some patients are resistant to steroid treatment. The difficulty involved in patient compliance with pharmacologic management and the difficulty of avoiding stimulus that
25 triggers asthma are common barriers to successful asthma management.

Asthma is a serious disease with growing numbers of sufferers. Current management techniques are neither completely successful nor free from side effects.

Accordingly, it would be desirable to provide an asthma treatment which improves airflow without the need for patient compliance.

In addition to the airways of the lungs, other body conduits such as the esophagus, ureter, urethra, and coronary arteries, are also subject to periodic reversible spasms that produce obstruction to flow.

5

SUMMARY OF THE INVENTION

The present invention relates to a device for treating airway tissue within the lungs by transfer of energy into the walls of the airway to reduce plugging of the airway, to prevent the airway from being able to constrict, to increase the inner airway diameter, or to reduce resistance to flow through the airway. The invention is particularly directed to the treatment of the airways in the lungs to reduce the effects of asthma and other lung disease. One variation of the invention includes the transfer of energy to the airway wall via the application of heat.

The present invention provides devices to decrease airway responsiveness and airway resistance to flow which may augment or replace current management techniques. In accordance with one variation of the present invention, an energy transfer apparatus for treating conditions of the lungs by decreasing airway responsiveness includes transferring energy into an airway wall to alter the airway wall in such a manner that the responsiveness of the airway is reduced.

In particular, the inventive device is an energy transfer apparatus which facilitates energy transfer with a mass of tissue within the airways of a lung. The inventive device is sized to enter the bronchus or bronchiole of a human lung to conduct energy transfer with the airway tissue therein. The inventive device may also be sized to fit within a bronchoscope. The bronchoscope may have a channel with a diameter of preferably 2 mm or less.

A variation of the inventive device includes a flexible elongated body having a proximal portion and a distal portion with a lumen extending between the proximal and distal portions. The flexible elongated body may be of sufficient stiffness to pass through a seal of a working channel of a bronchoscope and allow operation of the device through the working channel seal. The device may include an expandable portion that is adjacent to a distal portion of the elongated body. The expandable portion has a first state, e.g., a size, and a second state where the second state is radially expanded in size from the elongated

body. The device may include a temperature detecting element which is placed near to the expandable portion. The device also includes at least one energy transfer element at an exterior of the expandable portion, where the energy transfer elements are configured to contact the wall of the bronchus or bronchiole when the expanded portion is in an expanded state. The device may also include a deployment member that is configured to move the expandable portion between the first and second radially expanded states. The deployment member may extend between the expandable portion and the proximal portion of the elongated body. The inventive device may further include a distal tip located at a distal end of the apparatus. One variation of the inventive device includes an expandable portion that has a diameter of less than 15 mm when in a second expanded state.

Another variation of the invention includes an expandable portion which includes pre-shaped tines. Such tines are configured to be in a first state within an elongated body and, when advanced out of the elongated body, to expand into a second expanded state. The tines may be connected to each other with an expanding element to prevent the tines from entering multiple airways at a bifurcation within the lung.

Another variation of the invention includes an expandable portion comprised of a balloon. This variation of the invention may include the use of a fluid which may expand the balloon into the second state. Yet another variation of this invention includes the use of a heat generating element in the balloon which conducts heat to the fluid to heat an exterior of the balloon. In this variation, the exterior of the balloon serves as the energy transfer element.

A further variation of the inventive device includes an expandable portion which comprises a plurality of legs which forms a basket. The legs of this variation may extend from a proximal joint that is found at an intersection of a distal portion of the elongated body to a distal joint that is adjacent to a distal tip. Each leg may have a center that is substantially parallel to the elongated body so that there is sufficient contact between the airway walls and the parallel portion of the leg. The center that is substantially parallel is usually referred to as the active region of the leg.

The legs of this variation may be spaced around a circumference of the elongated body to form a basket. The legs of this variation may have a circular cross section or a rectangular cross section, or a non-axisymmetric cross section. The cross sections may be

chosen to allow ready deployment from a first state to a second expanded state while resisting out-of-plane bending which may distort the spacing of the legs or the contact of electrodes with the airway surface. One variation of the invention includes a basket in which the distance between the proximal and distal joint is less than 35 mm when the
5 basket is not expanded. Another variation of this invention includes a basket that comprises four or five legs. In this case, the legs may be placed evenly around a circumference of the elongated body. In this case the legs may be found at intervals of 90 or 72 degrees. Other variations of the invention include devices having less than four legs or more than five legs. Another variation of this inventive device includes placing a
10 temperature detecting element on one or on more legs. In this variation, the temperature of one leg may be monitored or the temperature of several legs may be independently monitored to control the energy delivery. In a further variation, multiple temperature sensing elements may be combined with independent control of energy to each leg. Both of these variations may also apply to a variation of the device having pre-shaped tines. The
15 legs may be soldered or made to adhere using adhesives to the elongated body at the proximal and distal ends. Another variation of the invention includes a multi-lumen elongated body into which a portion of each leg is inserted. It is also contemplated that an elongated member may be reinforced via a reinforcing member. Such a reinforcing member may include a coiled or braided wire, polymeric insert, or any other similar
20 reinforcing member .

The energy transfer element of the invention may include an element that directly heats tissue by delivering current such as an RF based electrode. The RF electrode may be either bipolar or monopolar or a heated element that conductively heats tissue. In variations of the invention using RF energy, the frequency of the RF may be selected to be
25 in the 400 kHz range or any other standard medical range used in electro-surgical applications.

When the electrode directly heats the tissue, the heated element may use AC or DC current to resistively heat the element. RF energy may also be used to inductively or resistively heat the element. An indirect method of heating includes a resistively heated
30 element that conducts heat to the expandable portion or directly to the airway. The invention may also include a combination of the types of electrodes mentioned above.

In the variation of the invention in which the expandable portion comprises a basket, each of the energy transfer elements may be a RF electrode that is attached to each leg. The electrode may be fastened by a heat shrink fastener. In such a case, a temperature detecting element may be placed on the leg and underneath the fastener. A resistance heating element may be coiled around a portion of the leg. In this case, a temperature detecting element may be placed underneath the coil. Other examples of the energy transfer element include a polymeric heating element, an electrically conductive paint, or a printed flex circuit which are on a portion of the leg. Another variation employs the basket leg itself as either a RF electrode or a heated element. In such cases, the temperature sensing element may be attached directly to a basket leg by soldering, welding, adhesive bonding, or other means or member.

Another variation of the invention includes a sheath slidably coupled to and exterior to the expandable portion. The expandable portion may be resilient and self-expand into the second state when no longer confined by the sheath. For example, the sheath may be withdrawn in a proximal direction or the expandable portion may be advanced out of the sheath.

Yet another variation of the invention includes a deployment member comprising a handle adjacent to a proximal end of the elongated body. The elongated body may be slidably attached to the handle. The deployment member may also comprise a wire that extends from the handle through the lumen of the elongated body and is fixedly attached to the distal tip. This wire may also provide a current to the energy transfer members. The elongated body, the wire, and the distal tip may be slidably moveable in a distal and proximal direction. This variation of the deployment member may also include a stop configured to prevent distal movement of the wire beyond a deployment point. In this variation, beyond the deployment point, movement of the elongated body against the non-moving distal tip causes the expansion member to expand from a first state into a second expanded state.

Another variation of the invention includes a deployment member comprising a sheath that covers the elongated member and expandable portion and a handle at a proximal end of the sheath. The sheath may be slidably attached to the handle while the elongated member is rigidly attached to the handle. A wire may extend from said handle to a distal

tip through a lumen of the elongated member. The variation may include a first control member attached to the sheath and slidably attached to the handle where proximal movement of the first control member causes the sheath to retract on the elongated member and uncover the expandable portion. This variation may also include a second control member which is attached to the wire where proximal movement of the second control member causes the distal tip and the expandable portion to retract against the non-moving elongated member and causes the expandable portion to radially expand into a second state.

Another variation of the invention includes a deployment member having force compensation or deflection limiting stops to prevent over-expansion of the expandable member when deployed within the body.

A variation of the invention includes placing a sheath exterior to the elongated body and expandable portion such that the expandable portion is placed within the sheath in a first unexpanded state. When the expandable portion is no longer restrained by the sheath, the expandable portion expands into its second state. The invention may also include a control member moveably secured to the handle where the member is configured to advance the elongated body and the wire in the distal and proximal directions. Another variation of the invention includes a detent means for maintaining the elongated body distally of the deployment point. The control member may also be configured to frictionally maintain the elongated body distally of the deployment point. In these cases, the expandable portion will be in the second expanded state. Other variations of the inventive device may include use of levers, control wheels, or screw mechanisms in place of a control member.

Another variation of the inventive device includes an atraumatic distal tip that may be configured to prevent gouging of the airway tissue. The distal tip may have a redundant joint to prevent separation of the tip from the apparatus. The distal tip may also be sized to fit within or through a bronchoscope.

Another variation of the invention includes a central wire extending from the distal tip to the proximal portion of the device. The wire may be configured to provide a current to the energy transfer elements. A temperature detecting element may also be attached to the wire.

The inventive device may also be radiopaque or may have radiopaque elements.

Another variation of the invention includes providing a steering member in the device to deflect the distal tip of the apparatus in a desired direction.

Another variation of the invention includes placing a vision system on the apparatus. The vision system may include a fiber-optic cable or a CCD chip.

5 Another variation of the invention includes providing a power supply configured to deliver energy through the energy transfer elements to the airway walls. The power supply may be configured to include a high temperature shut off or one which shuts down if a minimum temperature is not detected within a predetermined time or if a minimum temperature slope is not detected during a predetermined time.

10 The invention further includes a kit comprising an energy transfer apparatus for facilitating energy transfer into a mass of airway tissue and a generator configured to delivery energy to the energy transfer apparatus. The kit may further include a bronchoscope as may any of the other inventive variations.

15 The invention further includes an energy transfer apparatus for facilitating energy transfer into a mass of airway tissue within a lung, the energy transfer apparatus having been rendered sterile for the purposes of prevention of infection of the lung.

The present invention may be used for a treatment of asthma or other constriction or spasm of a bodily conduit by application of energy. The treatment reduces the ability or propensity of the airway to contract, reduces plugging of the airway, increases the inner
20 airway diameter, and/or reduces resistance to flow through the airway.

The present invention relates to a method for treating bodily conduits by transfer of energy to or from the conduit walls to prevent the conduit from being able to constrict, to enlarge the conduit, or to reduce resistance to flow through the conduit. The invention is particularly directed to the treatment of the airways in the lungs to reduce the effects of
25 asthma and other lung disease.

The present invention provides methods to decrease airway responsiveness and airway resistance to flow which may augment or replace current management techniques.

In accordance with a variation of the present invention, a method for treating conditions of the lungs by decreasing airway responsiveness includes energy use as energy
30 is transfered to or from an airway wall to alter the airway wall in such a manner that the responsiveness of the airway is reduced.

In accordance with an additional variation of the present invention, the energy transferred to or from the airway wall alters the structure of the airway wall.

In accordance with a further variation of the present invention, the energy transferred to or from the airway wall alters the function of the airway wall.

5 In accordance with another variation of the present invention, a method for treating conditions of the lungs by decreasing airway resistance to airflow includes transferring energy to or from an airway wall to alter the airway wall in such a manner that a resistance to airflow of the airway is decreased.

10 The present invention provides advantages of a treatment for asthma or other constriction or spasm of a bodily conduit by application of energy. The treatment reduces the ability of the airway to contract, reduces plugging of the airway, and/or increases the inner airway diameter.

15 The present invention relates to methods for treating a lung, preferably having at least one symptom of reversible obstructive pulmonary disease, comprising the steps of advancing a treatment device into the lung and treating the lung with the device to at least reduce the ability of the lung to produce at least one symptom of reversible obstructive pulmonary disease and to decrease the resistance to the flow of air through the lung.

20 A variation of the invention includes the method described above further comprising the step of locating one or more treatment sites within an airway of the lung, selecting at least one of the treatment sites and treating at least one of the treatment sites selected in the selecting step. The invention may further include performing the steps while the lung is experiencing at least one symptom of either natural or artificially induced reversible obstructive pulmonary disease.

25 A further variation of the invention includes the method described above and further includes the steps of testing the lung for at least one pre-treatment pulmonary function value prior to the treating step, and re-testing the lung for at least one post-treatment pulmonary function value subsequent to the treating step.

30 A further variation of the invention includes the method described above further comprising identifying treatment sites within the airway being highly susceptible to either airway inflammation, airway constriction, excessive mucus secretion, or any other symptom of reversible obstructive pulmonary disease.

Another variation of the invention includes the method described above and the additional step of stimulating the lung to produce at least one artificially induced symptom of reversible obstructive pulmonary disease. The invention may further comprise the step of evaluating the results of the stimulating step.

5 Another variation of the invention includes the method described above where treating at least airway tissue within the lung further comprises the step of determining the effect of the treatment by visually observing the airway for blanching of airway tissue.

10 Another variation of the invention includes the method described above where treating at least airway tissue at a treatment site within the lung further comprises the step of monitoring electrical impedance of tissue at one or more points.

Another variation of the invention includes the method described above where treating the lung includes sub-mucosal treatment of at least airway tissue in the lung.

15 Another variation of the invention includes the method described above where the treating step includes treating the lung by depositing a radioactive substance in at least one treatment site within the lung.

Another variation of the invention include the method described above further including the step of scraping tissue from a wall of an airway within the lung prior to the treating step. The invention may further comprise depositing a substance on the scraped wall of the airway.

20 Another variation of the invention includes the method described above further comprising pre-treating the lung to at least reduce the ability of the lung to produce at least one symptom of reversible obstructive pulmonary disease prior to the treating step, where at least one parameter of the pre-treating step is lesser than at least one parameter of the treating step.

25 Another variation of the invention comprises the method described above where the treating step includes separating the treating step into stages to reduce the healing load on the lung. The separating step may comprise treating different regions of the lung at different times or dividing the number of treatment sites into a plurality of groups of treatment sites and treating each group at a different time.

Another variation of the invention includes the method described above further comprising sensing movement of the lung and repositioning the treatment device in response to said sensing step.

5 Another variation of the invention includes the method described above further comprising reducing the temperature of lung tissue adjacent to a treatment site.

Another variation of the invention includes the method described above further comprising the step of providing drug therapy, exercise therapy, respiratory therapy, and/or education on disease management techniques to further reduce the effects of reversible obstructive pulmonary disease.

10 The invention further includes the method for reversing a treatment to reduce the ability of the lung to produce at least one symptom of reversible obstructive pulmonary disease comprising the step of stimulating re-growth of smooth muscle tissue in the lung.

The invention further includes the method of evaluating an individual having reversible obstructive pulmonary disease as a candidate for a procedure to reduce the
15 ability of the individual's lung to produce at least one reversible obstructive pulmonary disease symptom by treating an airway within the lung of the individual, the method comprising the steps of assessing the pulmonary condition of the individual, comparing the pulmonary condition to a corresponding predetermined state; and evaluating the individual based upon the comparing step. The method may additionally comprise the steps of
20 performing pulmonary function tests on the individual to obtain at least one pulmonary function value, comparing the at least one pulmonary function value to a corresponding predetermined pulmonary function value, and evaluating the individual based upon the comparing step.

The invention further comprises a method of evaluating the effectiveness of a procedure
25 to reduce the ability of lung to produce at least one symptom of reversible obstructive pulmonary disease previously performed on an individual having reversible obstructive pulmonary disease, the method comprising the steps of assessing the pulmonary condition of the individual, comparing the pulmonary condition to a corresponding predetermined state, and evaluating the effectiveness of the procedure based upon the comparing step.
30 The method may additionally comprise the steps of performing pulmonary function tests on the individual to obtain at least one pulmonary function value, treating the lung to at least

reduce the ability of the lung to produce at least one symptom of reversible obstructive pulmonary disease, performing post-procedure pulmonary function tests on the individual to obtain at least one post-procedure pulmonary function value; and comparing the pulmonary function value with the post-procedure pulmonary function value to determine
5 the effect of the treating step.

BRIEF DESCRIPTION OF THE DRAWINGS

The invention will now be described in greater detail with reference to the various embodiments illustrated in the accompanying drawings:

10 FIG. 1 is a cross sectional view of a medium sized bronchus in a healthy patient.

FIG. 2 is a cross sectional view of a bronchiole in a healthy patient.

FIG. 3 is a cross sectional view of the bronchus of FIG. 1 showing the remodeling and constriction occurring in an asthma patient.

15 FIG. 4 is an illustration of the lungs being treated with a device according to the present invention.

FIG. 5A is a partial side view of a variation of the inventive device having a plurality of wire shaped electrodes.

20 FIG. 5B is a cross sectional side view of another variation of a device having a plurality of wire shaped electrodes with a deployment wire attached to a distal tip of the device.

FIG. 5C shows a partial view of a variation of an elongated member of inventive device having a plurality of lumens for nesting the legs of the basket.

FIGS. 5D-5I illustrate a variation of the invention and a deployment member for deploying the device.

25 FIGS. 5J-5L illustrate examples of energy transfer elements of the device.

FIG. 5M shows a partial view of a thermocouple attached to a basket leg.

FIGS. 6A-6D illustrates distal joints of the invention.

FIG 6E illustrates a proximal joint of the invention.

FIGS. 7A-7D illustrates a series and parallel wiring of legs of the basket.

30 FIGS. 8A-8C illustrate examples of variable thicknesses of legs of the basket.

FIGS. 9A-9F illustrate examples of a basket formed from a single sheet or piece of material.

FIG. 10 is a side cross sectional view of a variation of the inventive device having a balloon with electrodes positioned exterior to the balloon.

5 FIG. 11 is a partial side view of a variation of the inventive device having a balloon with heat generating elements positioned within the balloon for indirect heating of the tissue.

FIG. 12 is cross sectional view of the inventive device with electrodes and pre-shaped tines as the expandable member.

10 FIG. 13 is a cross sectional view of a variation of the inventive device with energy transfer elements positioned on expandable balloons.

FIG. 14 is an illustration of a variation of the inventive device with electrodes positioned in grooves.

15 FIG. 15 is an illustration of a variation of the inventive device with electrodes and a biasing element.

FIG. 16 is an illustration of another variation of the inventive device having electrodes and a biasing element.

FIG. 17 is a partial side view of a variation of the inventive device having electrodes exposed by cut away sections of an elongated member.

20 FIG. 18 is a partial side view of the inventive device with electrodes positioned on a loop shaped member.

FIG. 19 is a cross sectional view of a variation of the inventive device having a looped shaped electrode in an unexpanded position.

25 FIG. 20 is a cross sectional view of the variation of FIG. 19 with the looped shape electrode in an expanded position.

FIG. 21 is a side cross sectional view of a variation of a treatment device for treatment with heated fluid.

FIG. 22 is a side cross sectional view of a variation of a treatment device for treatment with radiation.

30 FIG. 23 is a side view of a variation of a treatment device for treatment with a cryoprobe.

DETAILED DESCRIPTION

The invention relates to methods for improving airflow through the airways of a lung having reversible obstructive pulmonary disease. It is intended that the invention is applicable to any aspect of reversible obstructive pulmonary disease, including but not limited to asthma. One way of improving airflow is to decrease the resistance to airflow within the lungs. There are several approaches to reducing this resistance, including but not limited to reducing the ability of the airway to contract, increasing the airway diameter, reducing the inflammation of airway tissues, and/or reducing the amount of mucus plugging of the airway. The present invention includes advancing a treatment device into the lung and treating the lung and using energy to at least reduce the ability of the lung to produce at least one symptom of reversible obstructive pulmonary disease. The following is a brief discussion of some causes of increased resistance to airflow within the lungs and the inventive treatment of the invention described herein. As such, the following discussion is not intended to limit the aspects or objective of the inventive method as the inventive method may cause physiological changes not described below but such changes still contributing to reducing or eliminating at least one of the symptoms of reversible obstructive pulmonary disease.

Reducing the Ability of the Airway to Contract

The inventive energy treatment reduces the ability of the airways to narrow or to reduce in diameter due to airway smooth muscle contraction. This treatment reduces the ability of the smooth muscle to contract thereby lessening the severity of an asthma attack. The reduction in the ability of the smooth muscle to contract may be achieved by treating the smooth muscle itself or by treating other tissues which in turn influence smooth muscle contraction or the response of the airway to the smooth muscle contraction. Treatment may also reduce airway responsiveness or the tendency of the airway to narrow or to constrict in response to a stimulus.

The amount of smooth muscle surrounding the airway can be reduced by exposing the smooth muscle to energy which either kills the muscle cells or prevents these cells from replicating. The reduction in smooth muscle reduces the ability of the smooth muscle to

contract and to narrow the airway during a spasm. The reduction in smooth muscle and surrounding tissue has the added potential benefit of increasing the caliber or diameter of the airways, this benefit reduces the resistance to airflow through the airways. In addition to the use of debulking smooth muscle tissue to open up the airways, the device used in the present invention may also eliminate smooth muscle altogether by damaging or destroying the muscle. The elimination of the smooth muscle prevents the contraction or spasms of hyper-reactive airways of a patient having reversible obstructive pulmonary disease. By doing so, the elimination of the smooth muscle may reduce some symptoms of reversible obstructive pulmonary disease.

The ability of the airway to contract can also be altered by treatment of the smooth muscle in particular patterns. The smooth muscle is arranged around the airways in a generally helical pattern with pitch angles ranging from about -38 to about +38 degrees. Thus, the treatment of the smooth muscle in appropriate patterns interrupts or cuts through the helical pattern of the smooth muscle at a proper pitch and prevents the airway from constricting. This procedure of patterned treatment application eliminates contraction of the airways without completely eradicating smooth muscle and other airway tissue. A pattern for treatment may be chosen from a variety of patterns including longitudinal or axial stripes, circumferential bands, helical stripes, and the like as well as spot patterns having rectangular, elliptical, circular or other shapes. The size, number, and spacing of the treatment bands, stripes, or spots are chosen to provide a desired clinical effect of reduced airway responsiveness while limiting insult to the airway to a clinically acceptable level.

The patterned treatment of the tissues surrounding the airways with energy provides various advantages. The careful selection of the portion of the airway to be treated allows desired results to be achieved while reducing the total healing load. Patterned treatment can also achieve desired results with decreased morbidity, preservation of epithelium, and preservation of a continuous or near continuous ciliated inner surface of the airway for mucociliary clearance. The pattern of treatment may also be chosen to achieve desired results while limiting total treatment area and/or the number of airways treated, thereby improving speed and ease of treatment.

Application of energy to the tissue surrounding the airways may also cause the DNA of the cells to become cross linked. The treated cells with cross linked DNA are incapable of replicating. Accordingly, over time, as the smooth muscle cells die, the total thickness of smooth muscle decreases because of the inability of the cells to replicate. The programmed cell death causing a reduction in the volume of tissue is called apoptosis. This treatment does not cause an immediate effect but causes shrinking of the smooth muscle and opening of the airway over time and substantially prevents re-growth. The application of energy to the walls of the airway may also be used to cause a cross linking of the DNA of the mucus gland cells thereby preventing them from replicating and reducing excess mucus plugging or production over time.

The ability of the airways to contract may also be reduced by altering mechanical properties of the airway wall, such as by increasing stiffness of the wall or by increasing parenchymal tethering of the airway wall. Both of these methods increase the strength of the airway wall and further oppose contraction and narrowing of the airway.

There are several ways to increase the stiffness of the airway wall. One way to increase stiffness is to induce fibrosis or a wound healing response by causing trauma to the airway wall by delivery of therapeutic energy to the tissue in the airway wall. The energy is preferably delivered in such a way that it minimizes or limits the intra-luminal thickening that may occur.

Another way to increase the effective stiffness of the airway wall is to alter the submucosal folding of the airway upon narrowing. The mucosal layer includes the epithelium, its basement membrane, and the *lamina propria*, a subepithelial collagen layer. The submucosal layer may also play a role in airway folding. As an airway narrows, its perimeter remains relatively constant, with the mucosal layer folding upon itself. As the airway narrows further, the mucosal folds mechanically interfere with each other, effectively stiffening the airway. In asthmatic patients, the number of folds is fewer and the size of the folds is larger, and thus, the airway is free to narrow with less mechanical interference of mucosal folds than in a healthy patient. Thus, asthmatic patients have a decrease in airway stiffness and the airways have less resistance to narrowing.

The mucosal folding in asthmatic patients can be improved by treatment of the airway in a manner which encourages folding. Preferably, a treatment will increase the

number of folds and/or decrease the size of the folds in the mucosal layer. For example, treatment of the airway wall in a pattern such as longitudinal stripes can encourage greater number of smaller mucosal folds and increase airway stiffness.

5 The mucosal folding can also be increased by encouraging a greater number of smaller folds by reducing the thickness of the mucosa and/or submucosal layer. The decreased thickness of the mucosa or submucosa may be achieved by application of energy which either reduces the number of cells in the mucosa or submucosal layer or which prevents replication of the cells in the mucosa or submucosal layer. A thinner mucosa or submucosal layer will have an increased tendency to fold and increased mechanical
10 stiffening caused by the folds.

Another way to reduce the ability of the airways to contract is to improve parenchymal tethering. The parenchyma surrounds airways and includes the alveolus and tissue connected to and surrounding the outer portion of the airway wall. The parenchyma includes the alveolus and tissue connected to and surrounding the cartilage that supports the
15 larger airways. In a healthy patient, the parenchyma provides a tissue network which connects to and helps to support the airway. Edema or accumulation of fluid in lung tissue in patients with asthma or COPD is believed to decouple the airway from the parenchyma reducing the restraining force of the parenchyma which opposes airway constriction. Energy can be used to treat the parenchyma to reduce edema and/or improve parenchymal
20 tethering.

In addition, the applied energy may be used to improve connection between the airway smooth muscle and submucosal layer to the surrounding cartilage, and to encourage wound healing, collagen deposition, and/or fibrosis in the tissue surrounding the airway to help support the airway and prevent airway contraction.
25

Increasing the Airway Diameter

Hypertrophy of smooth muscle, chronic inflammation of airway tissues, and general thickening of all parts of the airway wall can reduce the airway diameter in patients with reversible obstructive pulmonary disease. Increasing the overall airway diameter using a
30 variety of techniques can improve the passage of air through the airways. Application of energy to the airway smooth muscle of an asthmatic patient can debulk or reduce the

volume of smooth muscle. This reduced volume of smooth muscle increases the airway diameter for improved air exchange.

Reducing inflammation and edema of the tissue surrounding the airway can also increase the diameter of an airway. Inflammation and edema (accumulation of fluid) of the airway are chronic features of asthma. The inflammation and edema can be reduced by application of energy to stimulate wound healing and regenerate normal tissue. Healing of the epithelium or sections of the epithelium experiencing ongoing denudation and renewal allows regeneration of healthy epithelium with less associated airway inflammation. The less inflamed airway has an increased airway diameter both at a resting state and in constriction. The wound healing can also deposit collagen which improves parenchymal tethering.

Inflammatory mediators released by tissue in the airway wall may serve as a stimulus for airway smooth muscle contraction. Therapy that reduces the production and release of inflammatory mediator can reduce smooth muscle contraction, inflammation of the airways, and edema. Examples of inflammatory mediators are cytokines, chemokines, and histamine. The tissues which produce and release inflammatory mediators include airway smooth muscle, epithelium, and mast cells. Treatment of these structures with energy can reduce the ability of the airway structures to produce or release inflammatory mediators. The reduction in released inflammatory mediators will reduce chronic inflammation, thereby increasing the airway inner diameter, and may also reduce hyper-responsiveness of the airway smooth muscle.

A further process for increasing the airway diameter is by denervation. A resting tone of smooth muscle is nerve regulated by release of catecholamines. Thus, by damaging or eliminating nerve tissue in the airways the resting tone of the smooth muscle is reduced, and the airway diameter is increased. Resting tone may also be reduced by directly affecting the ability of smooth muscle tissue to contract.

Reducing Plugging of the Airway

Excess mucus production and mucus plugging are common problems during both acute asthma exacerbation and in chronic asthma management. Excess mucus in the airways increases the resistance to airflow through the airways by physically blocking all or

part of the airway. Excess mucus may also contribute to increased numbers of leukocytes found in airways of asthmatic patients by trapping leukocytes. Thus, excess mucus can increase chronic inflammation of the airways.

One type of asthma therapy involves treatment of the airways with energy to target and reduce the amount of mucus producing cells and glands and to reduce the effectiveness of the remaining mucus producing cells and glands. The treatment can eliminate all or a portion of the mucus producing cells and glands, can prevent the cells from replicating or can inhibit their ability to secrete mucus. This treatment will have both chronic benefits in increasing airflow through the airways and will lessen the severity of acute exacerbation of the symptoms of reversible obstructive pulmonary disease.

Application of Treatment

The following illustrations are examples of the invention described herein. It is contemplated that combinations of aspects of specific embodiments or combinations of the specific embodiments themselves are within the scope of this disclosure. Likewise, it is intended that the devices described herein may be used to perform the various methods also described herein.

FIGS. 1 and 2 illustrate cross sections of two different airways in a healthy patient. The airway of FIG. 1 is a medium sized bronchus having an airway diameter D_1 of about 3 mm. FIG. 2 shows a section through a bronchiole having an airway diameter D_2 of about 1.5 mm. Each airway includes a folded inner surface or epithelium 10 surrounded by stroma 12 and smooth muscle tissue 14. The larger airways including the bronchus shown in FIG. 1 also have mucous glands 16 and cartilage 18 surrounding the smooth muscle tissue 14. Nerve fibers 20 and blood vessels 24 also surround the airway.

FIG. 3 illustrates the bronchus of FIG. 1 in which the smooth muscle 14 has hypertrophied and increased in thickness causing the airway diameter to be reduced from the diameter D_1 to a diameter D_3 .

FIG. 4 is a schematic side view of the lungs being treated with a treatment device 38 according to the present invention. The treatment device 38 may be an elongated member for treating tissue at a treatment site 34 within a lung. Although the invention

discusses treatment of tissue at the surface it is also intended that the invention include treatment below an epithelial layer of the lung tissue.

Examples of Decreasing Resistance to Airflow

5 A device 30 of the present invention must be of a size to access the bronchus or bronchioles of the human lung. The device may be sized to fit within bronchoscopes, preferably, with bronchoscopes having a working channel of 2 mm or less. Also, the device should be of sufficient stiffness to fit and operate through the seal covering the working channel a bronchoscope.

10 The energy may be delivered by the treatment device 30 in a variety of treatment patterns to achieve a desired response. Examples of patterns are discussed in further detail below. Also, the device may, but is not necessarily, configured to deliver energy in non-intersecting strip patterns which are parallel with a central axis of an airway. For example, other variations of the device may be configured to deliver energy in a torsional pattern, or
15 in a circumferential pattern around a wall of the airway. Such configurations which may be determined to deliver energy to the airway tissue that maximize the ability of the airway to permit airflow are considered to be within the scope of this invention.

The inventive devices include tissue contacting electrodes configured to be placed within the airway. These devices can be used for delivering radio frequency in either a
20 monopolar or a bipolar manner or for delivering other energy to the tissue, such as conducted heat energy from resistively heated elements. As shown in FIG. 4, for monopolar energy delivery, one or more electrodes of the treatment device are connected to a single pole of the energy source 32 and an optional external electrode 44 is connected to an opposite pole of the energy source. For bipolar energy delivery, multiple electrodes are
25 connected to opposite poles of the energy source 32 and the external electrode 44 is omitted. Naturally, the external electrode 44 depicted in FIG. 4, is not required in the case of bipolar energy delivery. The number and arrangement of the electrodes may vary depending on the pattern of energy delivery desired. The treatment devices of FIGS. 5A-10, and 12-20 are used to deliver radiant or heat energy to the airway. The treatment
30 device of FIG. 11 may also be used to deliver indirect radio frequency, microwave energy, or conductive heat energy to the tissue. In cases of heat energy generated by resistive

heating, the current may be AC or DC current or in the case of AC, the current may be delivered in the RF range. The use of RF provides an added safety feature of minimizing the possibility of harm to the patient caused by escaped current. The device may also use a combination of any of the energy transferring element configurations described herein.

5 The following illustrations are examples of the invention described herein. It is contemplated that combinations of aspects of specific embodiments or combinations of the specific embodiments themselves are within the scope of this disclosure.

The treatment device 302 of FIG. 5A includes an elongated member 102 for delivering an expandable member 104 to a treatment site. The expandable member 104
10 may have a plurality of energy transfer elements (not illustrated) which are placed on a plurality of basket legs 106 to transfer energy at the treatment site. In this variation, the expandable member comprises a basket 104 which is defined by a number of basket legs 106. The basket legs 106 are formed from a plurality of elements which are soldered or otherwise connected together at two connection areas, a proximal joint 108 and a distal
15 joint 110.

A desirable length of the basket 104, or the expandable portion of any variation of the invention, depends upon numerous factors. One consideration in determining a desired length of the expandable member, e.g., the distance between the joints of the basket, of the inventive device is related to the dimension of the target area or treatment region. For
20 instance, some other factors include considerations of minimizing the amount of the expandable portion which is distal to the treatment region for optimized access, minimizing the amount of the expandable portion that is proximal to the treatment region for visualization and access concerns, and setting a desirable length of the expandable portion that will contact a sufficient portion of the treatment region during each application of the
25 device. A compromise of such factors along with other considerations provides a desirable length for the expandable portion of the device. Preferably, the distance between the distal and proximal joints of the basket is less than 35 mm when the basket is in a first unexpanded state.

The legs 106 may be selected from a material that allows the basket to expand
30 without plastic deformation. For example, the legs may comprise a stainless steel, or a shape memory/superelastic alloy such as a nitinol material. The basket legs 106 may have

a rectangular cross section in those variations where the legs 106 are formed from ribbons, or the legs 106 may have a circular cross section in those variations where the legs are formed from wires. As discussed below, the legs 106 may also have other cross section as desired. It is also contemplated that the legs 106 need not all have similar cross sections.

5 For instance, the cross section of each of the legs 106 in a basket 104 may be individually chosen to optimize such factors as the resilience of the basket 104, or to optimize energy transfer characteristics. The legs may also have a variable cross section along the length of the basket.

10 Illustrated are variations of the inventive device 302 having a basket 104 comprising of four legs 106. It is preferred that the legs 106 are spaced at equal intervals around the expandable member or basket 104. For example, in variations of the invention having four legs 106, the legs 106 are preferably, but not necessarily spaced at approximately 90 degree intervals around the basket 104. In variations having five legs 106, the legs 106 may be spaced at approximately 72 degree intervals. Other variations of 15 the invention include devices having less than four legs or more than five legs. It is thought that the most effective number of legs is a compromise based on the size of the target airway, contact surface between the leg 106 and airway wall, and the maximum outer diameter of the elongated member 102.

20 The proximal 108 and/or distal 110 joints may also contain adhesive to bind the legs 106. The basket legs 106 between the proximal 108 and distal joint 110 are formed into the basket shape 104 so that arch shaped portions of the basket legs 106 will contact the walls of an airway to facilitate energy transfer. Although the figures illustrate the basket legs 106 as having a semi-circular or arc shape the device is not limited to such shapes. For 25 example, the legs 106 may have a more oblong shape or sharper bends to allow for a more parallel leg surface area that contacts the target tissue. Each leg 106 may have a center that is substantially parallel to the elongated body so that there is sufficient contact between the airway walls and the parallel portion of the leg 106. The center that is substantially parallel is usually referred to as the active region of the leg 106.

30 The length of the basket 104 between the proximal and distal 110 joints may be less than 35 mm when the basket 104 is in a first unexpanded state. The legs 106 may be coated with an insulating material (not shown) except at the tissue contact points.

Alternatively, the legs 106 of the basket 104 may be exposed while the proximal 108 and distal joint 110 are insulated. In this variation, the basket 104 is formed of a resilient material which allows the distal end of the inventive device 302 to be confined by a sheath (not shown) for delivery of the device 302 to the treatment site and allows the basket 104 to return to its original basket shape upon deployment. In other words, a variation of the invention is that the basket self-expands from a first state to a second expanded state upon the removal of any constraining or restrictive member such as a sheath (not shown). The inventive device 302 is preferably configured such that the basket legs 106 have sufficient resilience to come into contact with the airway walls for treatment.

FIG. 5A further illustrates a variation of the inventive device 302 in which a distal end of the device 302 is provided with a distal tip 112 that can have a radius to facilitate insertion of the device 302 into the lungs and also to minimize the possibility of causing trauma to surrounding tissue. The tip 112 is preferably sized to prevent the gouging of airway by the sheath. The design of the distal tip is selected to be atraumatic. The size of the tip may be selected to be large enough to prevent the sheath from gouging airways yet small enough to pass in and out of a bronchoscope.

FIG. 5B illustrates a variation of the inventive device 302 having basket legs 108 connected to a distal end 114 of the elongated member 102 and forming a basket 104. In this variation, a proximal joint is found at the distal end 114 of the elongated member 102. The basket 104 is expanded radially, to its second state, during use to ensure contact between the energy transfer elements (not shown) and the airway walls (not shown) by, for example, pulling on a center pull wire 116 which is connected to a distal tip 118 of the expandable portion 104. The center pull wire 116 may extend through a lumen of the elongated member 102 towards a proximal portion (not shown) of the elongated member 102. It is also contemplated that the center pull wire 116 may be configured to deliver current to the energy transfer elements found on the expandable member 104. The inventive device 302 may be delivered to a treatment site through a delivery sheath 120 and may be drawn along or moved axially along the airway to treat the airway in a pattern of longitudinal or helical stripes.

As noted above, the basket 104 may be resilient or self-expanding (e.g., see FIG. 5A) to expand to a second expanded state or the basket 104 may require an expanding force

(e.g., see FIG 5B). An example of this variation of the inventive device 304 is shown in FIG. 5B. In this variation, the basket 104 may be resilient and the sheath 120 may comprise the deployment member. In this variation, when the elongate body 102 and basket 104 are withdrawn into the sheath 120, the basket 104 contracts within the sheath 120 and assumes a first state. In one variation of the invention, upon advancing the basket 104 and elongate body 102 out of the sheath 120, the basket 104 may resiliently assume a second expanded state. In another variation of the invention, the basket 104 may assume a second expanded state with the aid of a wire 116. This wire may also be configured to deliver power to the energy exchange elements 106.

FIG. 5C illustrates another variation of the inventive device where an elongated member 102 of is configured to have a plurality of lumens 140 so that each of the basket legs 106 are isolated within the lumens 140 of the elongated member 102 until the legs 106 exit the elongated member 102 and connect at a proximal joint 108. The invention may have basket legs 106 selected with a sufficient length such that the ends of each of the legs 106 extend substantially into the lumens 140. As a result of being inserted deeply within the lumen, the ends of the legs 106 would require significant travel before they exited the lumen 140. This feature provides added safety as it minimizes the risk of the basket legs 106 dislodging from the elongate member 102.

In another variation of the invention, the elongated member 102 may comprise concentric tubes (not shown) rather than multi-lumen tubes where basket legs are inserted in the annulus between the tubes. It is also contemplated that an elongated member may be reinforced with the use of a reinforcing member. Such a reinforcing member may include a coiled wire or polymeric insert.

FIG. 5D-5I illustrate variations of the inventive device that use an expanding force to expand the basket. FIG. 5D illustrates a deployment member of the device. FIG. 5E illustrates the device of FIG. 5D when the elongated member is moved in a distal direction to a deployment point. FIG. 5F-5G illustrates the elongated member 102, sheath 120, expandable member 104, distal tip 118, and wire 122 extending through the device. FIG. 5F illustrates the basket 104 in a first unexpanded state when the elongated member 102 and wire 122 are proximal of the deployment point 130. FIG. 5G illustrates the expansion

of the basket 104 to a second expanded state as the elongated member 102 moves distally and the wire 122 is restrained at the deployment point 130.

Turning now to FIG. 5D, the deployment member may comprise a handle 124 which is adjacent to a proximal portion of an elongated member 102. The handle may be designed to be operated by a single hand, either right or left. The handle may also have a control switch for operation of the device. Such a switch could control the power supply attached to the device as well. Also, the handle may be configured to determine the position of the device within a human body as the device is advanced to a target site. For example, marks or indicia on the handle or even a readout could provide information to the user as to the relative deployment state of the expandable member. Also, a sensor may be placed on the handle 124, this sensor may be used to determine the position of the expandable member. Such a sensor could also be used to measure the size of the airway, such a measurement could be used as a control variable to determine the amount of energy that the device power supply must deliver. The handle 124 may control the expandable member using force compensation (e.g., a spring, etc.) or deflection limiting stops to control the expansion of the expandable member. Such force compensation or deflection stops provide a limit to the expansion member to avoid over-expansion of a particular airway.

Turning now to the handle 124 of FIG. 5D, an elongated member 102 may be slidably mounted to the handle. The variation of the invention depicted in these Figures may also, but does not necessarily, include a sheath 120 exterior to the elongated body 102. A wire 122 extends from the handle through the elongated member 102 and may be attached to a distal tip 118 of the device. The wire 122, elongated member 102, and distal tip (not shown) are slidably moveable in both a distal and proximal directions. The handle may also include a stop 126 which prevents the wire 122 from moving distally beyond a deployment point 130. The stop 126 may be connected to a spring (not shown) to limit the expansion of the expandable member upon reaching a pre-determined force. The handle 124 may include a control member 128 that is moveably attached to the handle 124 for moving the elongated member 102 in a distal/proximal direction. Although the handle 124 in the figures is depicted to have a control member 128 as illustrated, other variations of control members are also contemplated to be within the scope of this invention. For

example, though not illustrated, a handle 124 may include other configurations, such as lever, thumb-wheel, screw-mechanism, ratchet mechanism, etc., which are attached to the handle 124 to provide control actuation for the expandable member.

FIG. 5E illustrates a variation of the inventive device when the elongated member 102 and wire 122 are moved in a distal direction. In this illustrations, a stop 126 prevents the wire 122 from moving distally of a deployment position 130. This illustration further illustrates a variation of the invention where the stop 126 is attached to springs 127 which provide force compensation for the expandable member on the device. Although not shown, a control member 128 may have a stop which limits its travel along a handle 124. Such a stop is an example of a deflection limiting mechanism which controls the movement of the control member 128, thus controlling the extent of the expansion of the expandable member.

FIG. 5F illustrates the invention when the expandable member or basket 104 is in a first unexpanded state. As noted above, the wire 122 is attached to a distal tip 118 of the device and both are prevented from distal movement when the wire 122 is in the deployment position 130. Therefore, as depicted in FIG. 5G, movement of the elongated member 102 in a distal direction against a distal tip 118, that is restrained by a wire 122, causes a basket 104 to compress between the advancing elongated member 102 and the stationary distal end 118. Thus, the basket 104 is forced outward and radially expands into a second expanded state. As noted above, the wire 122 may also be used to transfer energy to or from the energy transfer elements found on the basket 104. Also, it is contemplated that the wire 122 may be a wire, a ribbon, a tube, or of any other equivalent structure. Also contemplated, but not shown, is a detent means for maintaining the elongated member in a distal position to expand the basket 104 against the distal tip 118 without the need for continual applied force by a user of the device. Also contemplated is a ratchet member, or friction member to maintain the basket 104 in the expanded state.

FIG. 5H illustrates another variation of a deployment member. In this variation, a sheath 120 may be slidably attached to a handle 124. In this variation, the elongate member 102 is rigidly attached to the handle 124. The sheath 120 may be attached to a first control member 129. A wire 122 extends through the elongate member 102 and is attached to the distal tip of the device (not shown). The wire 122 may be attached to a

second control member 131. As indicated in FIG. 5I, proximal movement of the first control member 129 causes the sheath 120 to proximally retract over the elongate member 102 and uncover the expandable portion (not shown). Proximal movement of the second control member 131 causes the wire 122, distal joint, and expandable member to move against the non-moving elongate member 102 which causes the expandable member to expand into a second state.

Turning now to the energy transfer elements located on the expandable portion, FIG. 5J-5L illustrate examples of energy transfer elements that may be located on the expandable portion of the device. In the variation of the invention where the expandable portion comprises a basket having basket legs 106, the basket legs 106 may function as heat exchange elements. In other words, the device may be configured so that the leg is an electrode or the conductive heating element. In these variations, the leg 106 may be partially covered with an insulation only leaving an active region exposed for delivery of energy to the airways. Examples of such insulation include a heat shrink sleeve, a dielectric polymeric coating, or other material which may function as an insulator.

FIG. 5J illustrates an example of a basket leg 106 with an energy transferring element 132 coiled around the leg 106. In this example, the energy transferring element uses conductive heating and comprises a resistance heating element 132 coiled around the leg 106. FIG. 5K illustrates a variation of the invention having an RF electrode attached to the basket leg 106. The RF electrode may be attached to the basket leg 106 via the use of a fastener 134. For example, the electrode may be attached via the use of a heat shrink fastener 134, (e.g., polymeric material such as PET or polyethylene tubing).

FIG. 5L illustrates another variation of the invention where the energy transfer element is a printed circuit 138 that is situated around the leg 106 and secured to the leg. Also contemplated, but not shown for use as energy transfer elements are a polymeric heating material, an electrically conductive paint, a resistance element sputtered onto the leg in a pattern or formed on a substrate by photofabrication. Also, the basket leg itself may be chosen of appropriate size and resistivity to alloy dual use as a basket and energy transfer element. Many nickel-chromium alloys have both high specific resistance and significant spring-like properties. In any variation of the invention the use of adhesives or other coatings may also be used to secure the energy transfer element to the basket leg 106.

Also, the energy transfer elements are not limited to what is illustrated in the drawings. It is also contemplated that other types of energy transfer elements may be used such as radiant, laser, microwave, and heat energy.

5 FIG. 6A illustrates a variation of a distal tip 210 having a redundant joint. The distal tip 208 has a polymeric cap 210 covering the distal ends of the basket legs 106 and wire 212. The legs 106 are soldered 214 to the distal end of the wire 212. Also used to maintain the joint is an adhesive 216 substantially filling the polymeric cap 210. A multi-lumen piece 218 separates the legs 106 and wire 212. A side view of the multi-lumen piece 218 is shown in FIG. 6B. A multi-lumen tubing may be used for the multi-lumen piece 10 218. The ends 220 of the polymeric cap 210 may be heat formed or otherwise tapered down around the legs 106. Although not illustrated, the proximal joint may also be redundant.

FIG. 6C illustrates another variation of a distal tip 222 having a redundant joint. The distal tip 222 has a polymeric cap 210 covering the distal ends of the basket legs 106 and wire 212. The legs 106 are soldered 214 to the distal end of the wire 212. Also used to maintain the joint is an adhesive 216 substantially filling the polymeric cap 210. A hypo-tube 224 covers the legs 106 and wire 212. A side view of the hypo-tube 224 is shown in FIG. 6D. The distal end of the hypo-tube 224 may be flared to seat a ball located on a distal end of the wire 212 and the legs 106. A proximal end of the hypo-tube 224 may be 15 flared to provide greater interlock with ends 220 of the polymeric cap 210. As shown in FIG 6C, the ends of the legs 106 taper outwards from the hypo-tube 224 and form an area with a diameter larger than the end of the cap 226 which may be tapered down around the legs 106 and wire 212. The ends 220 of the polymeric cap 210 may be heat formed or otherwise tapered down. 20

25 FIG. 6E shows another variation of the invention having a hoop or ring 228 at a proximal joint of the device. The hoop 228 may be soldered or welded to the legs 106 and keeps the legs 106 attached even if a joint fails between the legs and the elongate member 102. Also, the hoop 228 may electrically connect the legs, preventing disconnection of single leg 106 having a temperature sensing element attached.

30 The invention also includes a temperature detecting element (not shown). Examples of temperature detecting elements include thermocouples, infrared sensors,

thermistors, resistance temperature detectors (RTDs), or any other apparatus capable of detecting temperatures or changes in temperature. The temperature detecting element is preferably placed in proximity to the expandable member. In the variation illustrated in FIG. 5C, a temperature sensor may be mounted along the pull wire 116. For the variations depicted in FIG. 5J-5L, a temperature sensor may be mounted between the energy transfer elements 132, 136, 138 and the leg 106. In one variation of the invention a temperature sensor is placed on a single basket leg 106 to provide a signal to control energy transfer. It is also contemplated that a temperature sensor may be placed on more than one basket leg 106, and/or on a central wire 116 to provide control for multiple areas of energy transfer. The temperature sensor may be placed on the inside of the basket leg 106 to protect the temperature sensor while still providing a position advantageous to determining the device temperature at the energy transfer element.

FIG. 5M illustrates a variation of the invention having thermocouple leads 139 attached to a leg 106 of the device. The leads may be soldered, welded, or otherwise attached to the leg 106. This variation of the invention shows both leads 139 of the thermocouple 137 attached in electrical communication to a leg 106 at separate joints 141. In this case, the temperature sensor is at the surface of the leg. This variation provides in case either joint becomes detached, the circuit will be open and the thermocouple 137 stops reading temperature. The device may also include both of the thermocouple leads as having the same joint.

FIG. 7A-7D illustrate variations of the device in which impedance may be varied by wiring the basket legs 106 in series or in parallel. FIG. 7A illustrates a series wiring diagram in which a current path 142 flows from a first leg to a second leg 106, a third leg 106, and a fourth leg 106 sequentially. FIG. 7B illustrates the series wiring diagram and shows a single wire 143 connecting the legs 106 in series. The wire 143 may, for example, extend to a distal end of the leg and wrap over itself to the proximal end of the leg 106. A covering (not shown) may be placed over the wire 143 wrapped leg 106 at the proximal end of the device. FIG. 7C illustrates another variation of a series wiring diagram. In this example, a wire 143 extends from the proximal end of a leg 106 to its distal end and then extends to the distal end of an adjacent leg 106 and extends back to the proximal end of the adjacent leg 106.

FIG. 7D illustrates a parallel wiring diagram in which a current path 142 flows to each leg 106. Series wiring has an added advantage in that all current will pass through each energy transfer element. By design, this configuration equalizes the heat dissipated at each leg through construction of legs with equal resistance. In addition, in the event of failure of any electrical connection, no energy is delivered. This provides an additional safety feature over parallel wiring. As mentioned elsewhere, the electrical current may be AC or DC. AC may be delivered in the RF range as a safety measure additional to electrical isolation. DC may be used to allow a portable device powered by a battery pack or provide an energy source within the device itself.

FIG. 8A-8C illustrates variation of the legs 106 of the basket 104. As discussed above, the legs may, for example, comprise a stainless steel, or a shape memory/superelastic alloy such as a nitinol material. The basket legs 106 may have a rectangular cross section in those variations where the legs 106 are formed from ribbons, or the legs 106 may have a circular cross section in variations where the legs 106 are formed from wires. Also, a leg 106 may be configured to have a non-axisymmetric cross-section. Also, the leg may have an oval or flat cross section as well. The legs 106 of a basket 104 need not all have similar cross sections. For instance, the cross section of each of the legs 106 in a basket 104 may be individually chosen to optimize such factors as the resilience of the basket 104, or to optimize energy transfer characteristics. An example of a cross section of a basket leg 106 is seen in FIG. 8A which illustrates a top view of a basket leg 106 that has a contoured shape 144. In this illustration, the energy exchange element is not shown in the figure for clarity. One of the purposes of such a contoured shape 144 is illustrated in FIG. 8B. When the basket (not shown) expands to its second state, leg 106 is configured to bend at or substantially near to points 146. A benefit of such a configuration is to allow a substantially parallel active surface as defined by the contour shape 144. FIG. 8C illustrates another variation of a leg 106. In this variation, the leg 106 has a region of increased diameter 148 in the case of round wire, or increased width or thickness in the case of rectangular or other non-axisymmetric wire. Such a region 106 could also be a flat wire with bumps or protrusions creating areas of increased width of the flat wire. This region 148 may, for example, provide a stop that assists in locating insulation, heat shrink, or other external covering around the leg 106. Also contemplated is a leg 106 that consists

of a composite construction. In this variation, the leg 106 may comprise of differing materials in predetermined regions to control the bending of the leg 106 as the basket 104 expands, or the leg may be constructed of different materials to selectively control regions of deliver of energy on the leg.

5 FIG. 9A-9F illustrate additional variations of the inventive device in which the expandable member comprises a basket comprised from a single piece or sheet of material. Such a configuration could comprise an etched, machined, laser cut, or otherwise manufactured piece of metal. FIG. 9A illustrates a partial view of a basket 104 formed from a single piece of material. The thickness of the material is, for example .005 inches, 10 but may vary as desired. The illustration of FIG. 9A shows the basket 104 prior to being wrapped about the Z direction as indicated. As shown, the legs 106 may be of varying length or they may be the same length 106 or a combination thereof. The basket 104 may have a distal portion 164 or basket head 164 which may be configured to facilitate construction of the device. For example, the basket head 164 may be notched 166 to obtain 15 a desired shape as the basket is wrapped about the Z direction. FIG. 9B illustrates a variation of the basket head 165 being notched such that sections 165 of the material may be bent from the plane of the material to form tabs 165. Tabs 165 may be used to form mechanical joints with another part, such as a distal tip cap. FIG. 9C illustrates another variation of a basket 104 made from a single piece of material. In this example, the legs 20 106 of the basket 104 are bent in a direction orthogonal to the plane of the basket head 164. In this example, the distance between the ends of the legs 106 may be, for example, about 2.75 inches. FIG. 9D illustrates a variation of the proximal ends of the legs 106 of the basket 104. In this example, the proximal ends of the legs 106 may have features 168 which promote the structural integrity of the proximal joint (not shown) of the device. As 25 mentioned above, the proximal joint may be redundant. In this variation, the ends of the legs 106 have a saw-tooth design which improve the integrity of the proximal joint connecting the legs 106 to the elongated member. The variation of FIG. 9D also illustrates a proximal end of the leg 106 as having a radius, however, the end of the leg 106 may have other configurations as required. Also, the legs 106 may have a width of, for example, .012 30 inches and a separation of, for example, .016 inches. However, these dimensions may vary as needed.

FIG. 9E illustrates a sectional view of a variation of the inventive device in which the expandable member comprises a tube 230 having slits or cuts 232 where the area between the slits or cuts 232 comprise legs 240 of the basket. FIG. 9F illustrates expansion of the basket of FIG. 9E. The legs 240 may be expanded by pulling a wire 236 that is attached to a tip 234 of the device in a proximal direction while the tube 230 remains fixed. As mentioned previously, the wire 236 may be used to conduct energy to the basket. Alternatively, the wire 236 may remain fixed as the tube 230 is advanced in a distal direction causing the legs 240 to bow outwards. The tube 230 may be cut or slit as required to obtain a desired number of legs or legs having a desired width. The tip 234 of the device may be selected to be rounded or atraumatic. The tip 234 may be fused, banded, soldered, welded or otherwise constructed as desired to be closed or rounded. The tube 230 may be selected to be conductive. In such a case, the tube 230 may be coated or covered with an insulator material (not shown) while a portion of the legs 240 will be left exposed or uncovered. This uncovered portion comprising an active surface of the basket which facilitates energy transfer. Alternatively, electrodes 238 may be placed on the legs 240 to provide an active region that facilitates energy transfer. The electrode 238 may be crimped, folded, welded, painted, deposited, or otherwise located on the leg 240. The tube 230 may be selected to have a varying thickness (not shown) to facilitate expansion of the basket, an interior passage, rigidity of the tube and ease of expansion of the basket. This variation provides advantages as the number of components making the device may be minimized and construction of the basket is simple.

FIG. 10 illustrates another variation of the inventive device 306 in which the expandable member comprises a balloon member 150. This variation of the device 306 includes electrodes 154 positioned on an exterior surface of the balloon member 150. The electrodes 154 may be connected to an energy source (not shown) by leads 156 extending through the balloon and through the lumen of an elongated member 102. The balloon member 150 may be filled with a fluid 152 such as saline or air to bring the electrodes 154 into contact with the airway wall 10. As noted above, the electrodes may also be resistance heating elements, RF electrodes, or another suitable element for conducting energy transfer with the airway. Also, a single electrode may continuously surround a circumference of a

balloon 150, or a plurality of electrodes may be spaced at certain intervals to substantially surround the circumference of a balloon 150.

FIG. 11 illustrates another variation of the inventive device 308 in which the expandable member comprises a balloon member 150 in which a fluid 152 within the balloon member 150 is heated by a heat generating element 158. The heat generating elements 158 are illustrated in the shape of coils surrounding the shaft of the elongated member 102, however other types of heat generating elements (not shown) shapes may also be used. The heat generating elements 154 may be used as resistance heaters by application of an electric current to the heat generating elements. Alternatively, radio frequency or microwave energy may be applied to the heat generating elements 158 to heat fluid 152 within the balloon member 150. The fluid may be configured to optimize conductive heat transfer from the electrodes 158 to the exterior of the balloon member 150. The heat then passes from an exterior of the balloon 150 to the airway wall 10. Radio frequency or microwave energy may also be applied indirectly to the airway wall through the fluid and the balloon. In addition, hot fluid may be transmitted to the balloon member 150 from an external heating device for conductive heating of the airway tissue.

Another variation of the inventive device 310 is illustrated in FIG. 12 includes a plurality of energy transfer elements 162 positioned on pre-shaped tines 160. The pre-shaped tines 160 may be outwardly biased such that they expand from a first shape inside sheath 120 into a second expanded shape once advanced out of sheath 120. The tines 160 may also be configured so that they retract into a first state once withdrawn into a sheath 120. The pre-shaped tines 160 may be connected to an elongate member 102 which is positioned within a sheath 120. The pre-shaped tines 160 and the energy transfer elements 162 may be delivered through a delivery sheath 120 to a treatment site within the airways. When the pre-shaped tines 160 exit a distal end of the sheath 120, the pre-shaped tines 160 may bend outward until the energy transfer elements 162 come into contact with the airway walls for transfer of energy with the airway walls.

FIG. 13 illustrates a variation of the inventive device 314 in which an elongated member 102 is provided with a plurality of energy transfer elements 170 positioned on at least one inflatable balloon 172. The energy transfer elements 170 may be RF electrodes or resistance heating elements. The balloons 172 are inflated through the elongated member

102 to cause the energy transfer elements 170 to come into contact with the airway walls
10. The energy transfer elements 170 are preferably connected to the energy source (not
shown) by conductive wires (not shown) which extend from the energy transfer elements
170 through or along the balloons 172 and through the elongated member 102 to the energy
5 source. In the variation where the energy transfer elements 170 are RF electrodes, the
electrodes 170 may be used in a bipolar mode without an external electrode. Alternatively,
the inventive device 314 may be operated in a monopolar mode with an external electrode
(not shown, see FIG. 4). Another variation of the invention includes using resistance
heating elements as the energy transfer elements 170. The energy transfer elements 170
10 may be a single continuous circular element or there may be a plurality of elements 170
spaced around the balloons 172.

An alternative of the inventive device 316 of FIG. 14 includes an elongated member
102 having one or more grooves 174 in an exterior surface. Positioned within the grooves
174 are electrodes 176 for delivery of energy to the airway walls. Although the grooves
15 174 have been illustrated in a longitudinal pattern, the grooves may be easily configured in
any desired pattern. Preferably, the inventive device 316 of FIG. 14 includes a biasing
member (not shown) for biasing the elongated member 102 against an airway wall such
that the electrodes 176 contact airway tissue. The biasing member (not shown) may be a
spring element, an inflatable balloon element, or other biasing member. Alternatively, the
20 biasing function may be performed by providing a preformed curve in the elongated
member 102 which causes the device to curve into contact with the airway wall when
extended from a delivery sheath (not shown).

FIG. 15 illustrates a variation of the inventive device 318 having one or more
electrodes 178 connected to a distal end of an elongated tube 102. The electrodes 178 are
25 supported between the distal end of the elongated tube 102 and a distal tip 180. A
connecting shaft 182 supports the tip 180. Also connected between the distal end of the
elongated member 102 and the distal tip 180 is a spring element 184 for biasing the
electrodes 178 against a wall of the airway. The spring element 184 may have one end
which slides in a track or groove in the elongated member 102 such that the spring 184 can
30 flex to a variety of different positions depending on an internal diameter of the airway to be
treated.

FIG. 16 illustrates an alternative of the inventive device 320 in which the one or more electrodes 186 are positioned on a body 188 secured to an end of an elongated member 102. In the FIG. 16 variation, the body 188 is illustrated as egg shaped, however, other body shapes may also be used. The electrodes 186 extend through holes 190 in the body 188 and along the body surface. A biasing member such as a spring element 184 is preferably provided on the body 188 for biasing the body with the electrodes 186 against the airway walls. Leads 192 are connected to the electrodes 186 and extend through the elongated member 102 to the energy source not shown.

FIGS. 17 and 18 illustrate embodiments of the invention 322, 324 in which electrodes 194 in the form of wires are positioned in one or more lumens 196 of an elongated member 102. Openings 198 are formed in side walls of the elongated member 102 to expose the electrodes 194 to the surrounding tissue. As shown in FIG. 17, the inventive device 322 may have multiple lumens 196 with electrodes 194 provided in each of the lumens 196. The side wall of the inventive device 322 is cut away to expose one or more of the electrodes 194 through a side wall opening 198. In FIG. 17, the opening 198 exposes two electrodes 194 positioned in adjacent lumens. The inventive device 322 may be provided with a biasing member as discussed above to bring the electrodes 195 of the device into contact with the airway wall.

Another variation of the inventive device 324 as shown in FIG. 18 includes an elongated member 102 which has an expandable loop shaped member 202 to allow the electrodes 194 to be exposed on opposite sides of the device 324 which contacts opposite sides of the airway. The resilience of the loop shaped member 202 causes the electrodes 194 to come into contact with the airway walls.

FIGS. 19 and 20 illustrate a further variation of the inventive device 326 having an expandable member 204 in a first non-expanded state and in a second expanded state. FIG. 19 illustrates the device as having one or more loop shaped electrodes 204 connected to an elongated member 102. In the unexpanded position shown in FIG. 19, the loop of the electrode 204 lies along the sides of a central core 206. A distal tip of the loop electrode 204 is secured to the core 206 and to a distal tip 208. The core 206 may be slidable in a lumen of the elongated member 102. Once the inventive device 326 has been positioned with the distal end in the airway to be treated, the electrode 204 is expanded by pulling the

core 206 proximally with respect to the elongated member 102, as shown in FIG. 20. Alternatively, the electrode 204 or the core 206 may be spring biased to return to a configuration of FIG. 20 when a constraining force is removed. This constraining force may be applied by a delivery sheath or bronchoscope through which the inventive device
5 326 is inserted or by a releasable catch.

FIG. 21 illustrates a treatment device 328 for delivering heated fluid to the airway walls to heat the airway tissue. The device 328 includes a heating element 242 provided within a fluid delivery catheter 244. The fluid passes over the heating element 242 and out of openings 246 in the end of the catheter 244. The openings 246 are arranged to direct the
10 fluid at the airway walls 100. The heating element 242 may be a coiled resistance heating element or any other heating element. The heating element 242 may be positioned anywhere along the body of the catheter 244 or may be an external heating device separate from the catheter.

The heating element 242 may also be replaced with a friction producing heating
15 element which heats fluid passing through the fluid delivery catheter 244. According to one embodiment of a friction producing heating element, a friction element rotates and contacts a stationary element for purposed of heating the fluid.

FIG. 22 illustrates a treatment device 330 for delivery of light or other radiant energy to the walls of the airway. The light delivery device 330 includes an outer catheter or sheath 250 surrounding a light transmitting fiber 252. A light directing member 254 is
20 positioned at a distal end of the light delivery device for directing the light to the airway walls. The sheath 250 includes a plurality of windows 256 which allow the light which has been redirected by the light directing member 254 to pass substantially radially out of the sheath. The light delivery device 330 is connected by a conventional optical connection to
25 a light source 251.

The light used may be coherent or incoherent light in the range of infrared, visible, or ultraviolet. The light source 251 may be any known source, such as a UV laser source. The light source 251 may be an ultraviolet light source having a wavelength of about 180-308 nm, a visible light source, or an infrared light source preferably in the range of 800-
30 2200 nm. The intensity of the light may vary depending on the application. The light intensity should be bright enough to penetrate any mucus present in the airway and

penetrate the airway walls to a depth necessary to treat the selected tissue. The light intensity may vary depending on the wavelength used, the application, the thickness of the smooth muscle, and other factors. The light or other radiant energy may also be used to heat an absorptive material on the catheter or sheath which in turn conductively heats the airway wall.

FIG. 23 shows an alternative embodiment of a treatment device 332 including a cryoprobe tip 260 for transferring or removing energy in the form of heat from an airway wall 100. The cryoprobe tip 260 is delivered to the treatment site by a cryoprobe shaft 262. Transfer of energy from the tissue structures of the airway wall can be used in the same manner as the delivery of energy with any of the devices discussed above. The particular configuration of the cryoprobe treatment device 30p may vary as is known in the art.

The treatment of the tissue in the airway walls by transfer of energy according to the present invention provides improved long term relief from asthma symptoms for some asthma sufferers. However, over time, some amount of smooth muscle or mucus gland cells which were not affected by an initial treatment may regenerate and treatment may have to be repeated after a period of time such as one or more months or years.

The airways which are treated with the device according to the present invention are preferably 1 mm in diameter or greater, more preferably 3 mm in diameter. The devices are preferably used to treat airways of the second to eighth generation, more preferably airways of the second to sixth generation.

Although the present invention has been described in detail with respect to devices for the treatment of airways in the lungs, it should be understood that the present invention may also be used for treatment of other body conduits. For example, the treatment system may be used for reducing smooth muscle and spasms of the esophagus of patients with achalasia or esophageal spasm, in coronary arteries of patients with Prinzmetal's angina variant, for ureteral spasm, for urethral spasm, and irritable bowel disorders.

The devices and method describe herein provide a more effective and/or permanent treatment for asthma than the currently used bronchodilating drugs, drugs for reducing mucus secretion, and drugs for decreasing inflammation.

Moreover, the inventive device may also include a steering member configured to guide the device to a desired target location. For example, this steering member may deflect a distal tip of the device in a desired direction to navigate to a desired bronchi or bronchiole. Also contemplated is the use of the device with a vision system. Such a vision system may comprise a fiber optic cable which allows a user of the device to guide a distal tip of the device to its desired location. The vision system may include a CCD chip.

Also contemplated as the inventive device is the use of a power supply for providing energy as described above. The power supply provides the energy to be delivered to airway tissue via the energy transfer device. While the main goal of the power supply is to deliver enough energy to produce the desired effect, the power supply must also deliver the energy for a sufficient duration such that the effect persists. This is accomplished by a time setting which may be entered into the power supply memory by a user.

A power supply may also include circuitry for monitoring parameters of energy transfer: (for example, voltage, current, power, impedance, as well as temperature from the temperature sensing element), and use this information to control the amount of energy delivered.

A power supply may also include control modes for delivering energy safely and effectively. Energy may be delivered in open loop power control mode for a specific time duration. Energy may also be delivered in temperature control mode, with output power varied to maintain a certain temperature for a specific time duration. In the case of RF energy delivery via RF electrodes, the power supply may operate in impedance control mode.

In temperature control mode with RF electrodes described here, the power supply will operate at up to a 75°C setting. The duration must be long enough to produce the desired effect, but as short as possible to allow treatment of all of the desired target airways within a lung. For example, 5 to 10 seconds per activation (while the device is stationary) is preferred. Shorter duration with higher temperature will also produce acceptable acute effect.

Using RF electrodes as described above in power control mode, power ranges of 10-15W with durations of 3-5 seconds are preferred but may be varied. It should be noted

that different device constructions utilize different parameter settings to achieve the desired effect. For example, while direct RF electrodes typically utilize temperatures up to 75°C in temperature control mode, the resistively heated electrodes may utilize temperatures up to 90°C. Also, in addition to the control nodes specified above, the power supply may include control algorithms to limit excessive thermal damage to the airway tissue. For example, in order to stop delivery of energy in the event of contact between airway tissue and device legs having temperature sensing capabilities, an algorithm may be employed to shut down energy delivery if the sensed temperature does not rise by a certain number of degrees in a pre-specified amount of time after energy delivery begins. Another way to stop energy delivery includes shutting down a power supply if the temperature ramp is not within a predefined range at any time during energy delivery. Other algorithms include shutting down a power supply if a maximum temperature setting is exceeded or shutting down a power supply if the sensed temperature suddenly changes, such a change includes either a drop or rise, this change may indicate failure of the temperature sensing element.

Moreover, a variation of the invention includes configuring each energy exchange element independently to provide selective energy transfer radially about the device. As discussed above, another variation of the invention includes providing feedback control to determine the impedance of the airway to determine the power required by a power supply. Again, as discussed above, the feedback control could also be used to determine the size of the airway in which the device is positioned.

The treatment of an airway with the treatment device may involve placing a visualization system such as an endoscope or bronchoscope into the airways. The treatment device is then inserted through or next to the bronchoscope or endoscope while visualizing the airways. Alternatively, the visualization system may be built directly into the treatment device using fiber optic imaging and lenses or a CCD and lens arranged at the distal portion of the treatment device. The treatment device may also be positioned using radiographic visualization such as fluoroscopy or other external visualization means. The treatment device which has been positioned with a distal end within an airway to be treated is energized so that energy is applied to the tissue of the airway walls in a desired pattern and intensity. The distal end of the treatment device may be moved through the airway in a

uniform painting like motion to expose the entire length of an airway to be treated to the energy. The treatment device may be passed axially along the airway one or more times to achieve adequate treatment. The "painting-like" motion used to exposed the entire length of an airway to the energy may be performed by moving the entire treatment device from
5 the proximal end either manually or by motor. Alternatively, segments, stripes, rings or other treatment patterns may be used.

According to one variation of the invention, the energy is transferred to or from an airway wall in the opening region of the airway, preferably within a length of approximately two times the airway diameter or less, and to wall regions of airways distal
10 to bifurcations and side branches, preferably within a distance of approximately twice the airway diameter or less. The invention may also be used to treat long segments of un-bifurcated airway.

According to one variation of the invention, the energy is transferred to or from an airway wall in the opening region of the airway, preferably within a length of
15 approximately two times the airway diameter or less, and to wall regions of airways distal to bifurcations and side branches, preferably within a distance of approximately twice the airway diameter or less. The invention may also be used to treat long segments of un-bifurcated airway.

The invention includes a method of advancing a treatment device into a lung and
20 treating the lung with the device to, at least, reduce the ability of the lung to produce at least one symptom of reversible obstructive pulmonary disease. It is contemplated that the treatment may reduce all of the symptoms of reversible obstructive disease. Alternatively, the treatment may be selected to address specific symptoms of the disease. It is also intended that the treatment of the lung may sufficiently reduce the symptoms of reversible
25 obstructive pulmonary disease such that the patient is able to function as those free from the disease. Alternatively, the treatment may be such that the symptoms are reduced to allow the patient to more easily manage the disease. It is also intended that the effects of the treatment may be either long term or short term with repeating treatment necessary to suppress the symptoms.

30 The methods of the invention described herein may be performed while the lung is experiencing natural symptoms of reversible obstructive pulmonary disease. One such

example is where an individual, experiencing an asthma attack, or acute exacerbation of asthma or COPD, undergoes treatment to improve the individual's ability to breath. In such a case, the treatment, called 'rescue,' seeks to provide immediate relief for the patient.

5 The method may also include the steps of locating one or more treatment sites within an airway of the lung, selecting one of the treatment sites from the locating step and treating at least one of the selected treatment sites. As mentioned above, these steps may be, but are not necessarily, performed while the lung is experiencing symptoms of reversible obstructive pulmonary disease.

10 The invention may further comprise the step of stimulating the lung to produce at least one artificially induced symptom of reversible obstructive pulmonary disease. For example, stimulation of the lung would preferably increase the resistance to airflow within the lung, constrict airways within the lung, inflame/irritate airway tissues, increase edema and/or increase the amount of mucus plugging of the airway. Stimulation of the lung may occur at any point during the procedure or before the procedure. For example, the lung
15 may be stimulated either prior to or after, the step of locating a treatment site. If the lung is stimulated prior to the step of locating a treatment site, the reaction of the stimulated tissue within the lung may be useful in determining which locations are to be selected as treatment sites. The lung tissue or airway tissue within the lung may be stimulated by a variety of methods including but not limited to pharmacological stimulation, (e.g.,
20 histamine, methacholine, or other bronchoconstricting agents, etc.), electrical stimulation, mechanical stimulation, or any other stimuli causing obstructive pulmonary symptoms. For example, electrical stimulation may comprise exposing airway tissue to electrical field stimulation. An example of such parameters include 15 VDC, 0.5 ms pulses, 0.5-16 Hz, and 70 VDC, 2-3 ms pulses, 20 HZ.

25 The locating step described above may be performed using a non-invasive imaging technique, including but not limited to, a bronchogram, magnetic resonance imaging, computed tomography , radiography (e.g., x-ray), and ventilation perfusion scans.

30 The invention further includes the steps of testing the lung for at least one pre-treatment pulmonary function value prior to treating the lung with the device. After the lung is treated, the lung is re-tested for at least one post-treatment pulmonary function value. Naturally, the two pulmonary function values may be compared to estimate the

effect of the treatment. The invention may also include treating additional sites in the lung after the re-testing step to at least reduce the effect of at least one symptom of reversible obstructive pulmonary disease. The invention may also include stimulating the lung to produce at least one artificially induced symptom of reversible obstructive pulmonary disease. As mentioned above, the stimulation of the lung may occur at any point during, or prior to, the procedure. For example, stimulation of the lung may occur prior to the step of testing the lung for pre-treatment pulmonary values. In this case, the values would be determinative of pulmonary function values of a lung experiencing symptoms of reversible obstructive pulmonary disease. Accordingly, the objective is to treat the lung until acceptable pulmonary function values are obtained. One benefit of such a procedure is that the effect of the treatment on the patient is more readily observed as compared to the situation where a patient, having previously been treated, must wait for an attack of reversible obstructive pulmonary disease to determine the efficacy of the treatment.

Pulmonary function values are well known in the art. The following is an example of pulmonary function values that may be used. Other pulmonary function values, or combinations thereof, are intended to be within the scope of this invention. The values include, but are not limited to, FEV (forced expiratory volume), FVC (forced vital capacity), FEF (forced expiratory flow), Vmax (maximum flow), PEF (peak expiratory flow rate), FRC (functional residual capacity), RV (residual volume), TLC (total lung capacity).

FEV measures the volume of air exhaled over a pre-determined period of time by a forced expiration immediately after a full inspiration. FVC measures the total volume of air exhaled immediately after a full inspiration. Forced expiratory flow measures the volume of air exhaled during a FVC divided by the time in seconds. Vmax is the maximum flow measured during FVC. PEF measures the maximum flow rate during a forced exhale starting from full inspiration. RV is the volume of air remaining in the lungs after a full expiration.

The locating step described above may also comprise identifying treatment sites within the airway being susceptible to a symptom of reversible obstructive pulmonary disease. For example, symptoms may include, but are not limited to, airway inflammation, airway constriction, excessive mucous secretion, or any other asthmatic symptom.

Stimulation of the lung to produce symptoms of reversible obstructive pulmonary disease may assist in identifying ideal treatment sites.

As noted above, the method of the present invention may include stimulating the lung to produce at least one artificially induced symptom of reversible obstructive pulmonary disease and further include the step of evaluating the result of stimulation of the lung. For example, the evaluating step may include visually evaluating the effect of the stimulating step on the airway using a bronchoscope with a visualization system or by non-invasive imaging techniques, such as those describe herein. The evaluating step may include measuring pressure changes in the airway before and after the stimulating step. Pressure may be measured globally (e.g., within the entire lung), or locally (e.g., within a specific section of the lung such as an airway or alveolar sac.) Also, the evaluating step may comprise measuring the electrical properties of the tissue before and after the stimulating step. The invention may also include evaluating the results of the stimulating step by combining any of the methods previously mentioned. Also, the invention may further comprise the step of selecting at least one treatment parameter based upon the results of the evaluating step. Such treatment parameters may include, but are not limited to, duration of treatment, intensity of treatment, temperature, amount of tissue treated, depth of treatment, etc.

The method may also include the step of determining the effect of the treatment by visually observing lung, airway or other such tissue for blanching of the tissue. The term "blanching" is intended to include any physical change in tissue that is usually, but not necessarily, accompanied by a change in the color of the tissue. One example of such blanching is where the tissue turns to a whitish color after the treatment of application of energy.

The invention may also include the step of monitoring impedance across a treated area of tissue within the lung. Measuring impedance may be performed in cases of monopolar or bipolar energy delivery devices. Additionally, impedance may be monitored at more than one site within the lungs. The measuring of impedance may be, but is not necessarily, performed by the same electrodes used to deliver the energy treatment to the tissue. Furthermore, the invention includes adjusting the treatment parameters based upon the monitoring of the change in impedance after the treatment step. For example, as the

energy treatment affects the properties of the treated tissue, measuring changes in impedance may provide information useful in adjusting treatment parameters to obtain a desired result.

5 Another aspect of the invention includes advancing a treatment device into the lung and treating lung tissue to at least reduce the ability of the lung to produce at least one symptom of reversible obstructive pulmonary disease and further comprising the step of sub-mucosal sensing of the treatment to the lung tissue. The sub-mucosal sensing may be invasive such as when using a probe equipped to monitor temperature, impedance, and/or blood flow. Or, the sub-mucosal sensing may be non-invasive in such cases as infra-red
10 sensing.

The invention may also include using the treatment device to deposit radioactive substances at select treatment sites within the lung. The radioactive substances, including, but not limited to Iridium (e.g. ¹⁹²Ir.) either treat the lung tissue over time or provide treatment upon being deposited.

15 The invention also includes scraping epithelial tissue from the wall of an airway within the lung prior to advancing a treatment device into the lung to treat the lung tissue. The removal of the epithelial tissue allows the device to treat the walls of an airway more effectively. The invention further comprises the step of depositing a substance on the scraped wall of the airway after the device treats the airway wall. The substance may
20 include epithelial tissue, collagen, growth factors, or any other bio-compatible tissue or substance, which promotes healing, prevent infection, and/or assists in the clearing of mucus. Alternatively, the treatment may comprise the act of scraping epithelial tissue to induce yield the desired response.

The invention includes using the treating device to pre-treat the lung to at least
25 reduce the ability of the lung to produce at least one symptom of reversible obstructive pulmonary disease prior to the treating step. At least one of the parameters of the pre-treating step may differ than one of the parameters of the treating step. Such parameters may include time, temperature, amount of tissue over which treatment is applied, amount of energy applied, depth of treatment, etc.

30 The invention may also include advancing the treatment device into the lung and treating the lung tissue in separate stages. One of the benefits of dividing the treating step

into separate stages is that the healing load of the patient is lessened. Dividing of the treating step may be accomplished by treating different regions of the lung at different times. Or, the total number of treatment sites may be divided into a plurality of groups of treatment sites, where each group of treatment sites is treated at a different time. The amount of time between treatments may be chosen such that the healing load placed on the lungs is minimized.

The invention may also include advancing a treatment device into the lung, treating the lung with the device and sensing movement of the lung to reposition the treatment device in response to the movement. This sensing step accounts for the tidal motion of the lung during breathing cycles or other movement. Taking into account the tidal motion allows improved accuracy in repositioning of the device at a desired target.

The invention may also include the additional step of reducing or stabilizing the temperature of lung tissue near to a treatment site. This may be accomplished for example, by injecting a cold fluid into lung parenchyma or into the airway being treated, where the airway is proximal, distal, or circumferentially adjacent to the treatment site. The fluid may be sterile normal saline, or any other bio-compatible fluid. The fluid may be injected into treatment regions within the lung while other regions of the lung normally ventilated by gas. Or, the fluid may be oxygenated to eliminate the need for alternate ventilation of the lung. Upon achieving the desired reduction or stabilization of temperature the fluid may be removed from the lungs. In the case where a gas is used to reduce temperature, the gas may be removed from the lung or allowed to be naturally exhaled. One benefit of reducing or stabilizing the temperature of the lung may be to prevent excessive destruction of the tissue, or to prevent destruction of certain types of tissue such as the epithelium, or to reduce the systemic healing load upon the patient's lung.

Also contemplated as within the scope of the invention is the additional step of providing therapy to further reduce the effects of reversible obstructive pulmonary disease or which aids the healing process after such treatment. Some examples of therapy include, drug therapy, exercise therapy, and respiratory therapy. The invention further includes providing education on reversible obstructive pulmonary disease management techniques to further reduce the effects of the disease. For example, such techniques may be

instruction on lifestyle changes, self-monitoring techniques to assess the state of the disease, and/or medication compliance education.

There may be occurrences where it is necessary to reverse the effects of the treatment described herein. Accordingly, the invention further includes a method for reversing a treatment to reduce the ability of the lung to produce at least one symptom of reversible obstructive pulmonary disease comprising the step of stimulating re-growth of smooth muscle tissue. The re-stimulation of the muscle may be accomplished by the use of electro-stimulation, exercising of the muscle and/or drug therapy.

The invention further includes methods of evaluating individuals having reversible obstructive pulmonary disease, or a symptom thereof, as a candidate for a procedure to reduce the ability of the individual's lung to produce at least one symptom of reversible obstructive pulmonary disease. The method comprises the steps of assessing the pulmonary condition of the individual, comparing the pulmonary condition to a corresponding pre-determined state, and evaluate the individual as a candidate based upon the comparison.

In assessing the pulmonary condition, the method may comprise the steps of performing pulmonary function tests on the individual to obtain a pulmonary function value which is compared to a predetermined value. Examples of pre-determined values are found above.

The method of evaluating may further include the step of determining how the individual's tissue will react to treatment allowing the treatment to be tailored to the expected tissue response.

The method of evaluating may further comprises the step of pulmonary function testing using a gas, a mixture of gases, or a composition of several mixtures of gases to ventilate the lung. The difference in properties of the gases may aid in the pulmonary function testing. For example, comparison of one or more pulmonary function test values that are obtained with the patient breathing gas mixtures of varying densities may help to diagnose lung function. Examples of such mixtures include air, at standard atmospheric conditions, and a mixture of helium and oxygen. Additional examples of pulmonary testing include tests that measure capability and evenness of ventilation given diffusion of

special gas mixtures. Other examples of gases used in the described tests, include but are not limited to, nitrogen, carbon monoxide, carbon dioxide, and a range of inert gases.

The invention may also comprise the step of stimulating the lung to produce at least one artificially induced symptom of reversible obstructive pulmonary disease. Stimulating the symptoms of the disease in an individual allows the individual to be evaluated as the individual experiences the symptoms thereby allowing appropriate adjustment of the treatment.

The method of evaluating may also comprise the step of obtaining clinical information from the individual and accounting for the clinical information for treatment.

The method may further comprise the selection of a patient for treatment based upon a classification of the subtype of the patient's disease. For example, in asthma there are a number of ways to classify the disease state. One such method is the assessment of the severity of the disease. An example of a classification scheme by severity is found in the *NHLBI Expert Panel 2 Guidelines for the Diagnosis and Treatment of Asthma*.

Another selection method may include selecting a patient by the type of trigger that induces the exacerbation. Such triggers may be classified further by comparing allergic versus non-allergic triggers. For instance, an exercise induced bronchospasm (EIB) is an example of a non-allergenic trigger. The allergic sub-type may be further classified according to specific triggers (e.g., dust mites, animal dander, etc.). Another classification of the allergic sub-type may be according to characteristic features of the immune system response such as levels of IgE (a class of antibodies that function in allergic reactions, also called immunoglobulin). Yet another classification of allergic sub-types may be according to the expression of genes controlling certain interleukins (e.g., IL-4, IL-5, etc.) which have been shown to play a key role in certain types of asthma.

The invention further comprises methods to determine the completion of the procedure and the effectiveness of the reduction in the lung's ability to produce at least one symptom of reversible obstructive pulmonary disease. This variation of the invention comprises assessing the pulmonary condition of the individual, comparing the pulmonary condition to a corresponding predetermined state, and evaluating the effectiveness of the procedure based on the comparison. The invention may also comprise the steps of performing pulmonary function tests on the individual to obtain at least one pulmonary

function value, treating the lung to at least reduce the ability of the lung to produce at least one symptom of reversible obstructive pulmonary disease, performing a post-procedure pulmonary function tests on the individual to obtain at least one post pulmonary function value and comparing the two values.

5 This variation of the invention comprises obtaining clinical information, evaluating the clinical information with the results of the test to determine the effectiveness of the procedure. Furthermore, the variation may include stimulating the lung to produce a symptom of reversible obstructive pulmonary disease, assessing the pulmonary condition of the patient, then repeating the stimulation before the post-procedure pulmonary therapy.
10 These steps allow comparison of the lung function when it is experiencing symptoms of reversible obstructive pulmonary disease, before and after the treatment, thereby allowing for an assessment of the improved efficiency of the lung during an attack of the disease.

 Further details as to the use or other variation of the apparatus described herein may
15 be drawn from the background which is intended to form part of the present invention. It is noted that this invention has been described and specific examples of the invention have been portrayed to convey a proper understanding of the invention. The use of such examples is not intended to limit the invention in any way. Additionally, to the extent that there are variations of the invention which are within the spirit of the disclosure and are
20 equivalent to features found in the claims, it is the intent that the claims cover those variations as well. All equivalents are considered to be within the scope of the claimed invention, even those which may not have been set forth herein merely for the sake of brevity. Also, the various aspects of the invention described herein may be modified and/or used in combination with such other aspects also described to be part of the invention either
25 explicitly or inherently to form other advantageous variations considered to be part of the invention covered by the claims which follow.

 The invention described herein expressly incorporates the following co-pending applications by reference in their entirety: United States Application 09/095,323; U.S. Patent Applications: 09/095,323 - Methods and Apparatus for Treating Smooth Muscles in
30 the Walls of Body Conduits; 09/349,715 - Method of Increasing Gas Exchange of a Lung;

and 09/296,040 - Devices for Modification of Airways By Transfer of Energy; 09/436,455
Devices for Modification of Airways by Transfer of Energy.

CLAIMS

1. An energy transfer apparatus for transferring energy to or from the wall of an airway in a lung, said apparatus sized to enter a bronchus or bronchiole of a human lung and comprising:

a flexible elongated body having a proximal portion and a distal portion and at least one lumen extending therebetween;

a distally located expandable portion of said elongated body, said expandable portion comprising a plurality of legs terminating at a distal tip, said expandable portion having a first state and a radially-expanded second state, wherein said legs are shaped and dimensioned so as to contact the airway wall when said expandable portion is received in said airway and is in said second state;

at least one energy transfer element at an exterior of said expandable portion, wherein each of said energy transfer elements is configured to contact a wall of the bronchus or bronchiole when said expandable portion is in said second state; and

a deployment member configured to move said expandable portion between said first and second state, said deployment member extending at least between said expandable portion and said proximal portion of said elongated body.

2. The energy transfer apparatus of claim 1 further comprising a temperature detecting element in proximity to said expandable portion.

3. The energy transfer apparatus of claim 1 wherein said energy transferring element each comprises a radio frequency electrode configured to heat the airway tissue by delivering radio frequency energy.

4. The energy transfer apparatus of claim 3 wherein said radio frequency generating electrode is monopolar.

5. The energy transfer apparatus of claim 3 wherein said radio frequency generating electrode is bipolar.

6. The energy transfer apparatus of claim 1 wherein said energy transferring element each comprises a resistively heated element configured to conductively heat the airway tissue.

5 7. The energy transfer apparatus of claim 6 wherein each of said resistively heated elements are conductively attached to said expandable portion.

8. The energy transfer apparatus of claim 6 wherein said resistively heated element uses AC current.

10

9. The energy transfer apparatus of claim 6 wherein said resistively heated element uses DC current.

15

10. The energy transfer apparatus of claim 6 wherein said resistively heated element uses RF energy.

11. The energy transfer apparatus of claim 1 wherein said energy transferring elements comprise at least one resistively heated element configured to heat the airway tissue and at least one radio frequency generating electrode configured to heat the airway tissue.

20

12. The energy transfer apparatus of claim 1 wherein a diameter of said expandable portion in said second state is less than 15 mm, and wherein said elongated body has a diameter less than said diameter of said expandable portion in said second state.

25

13. The energy transfer apparatus of claim 1 wherein said expandable portion comprises pre-shaped tines configured to expand upon advancement out a sheath and contract when withdrawn into said sheath, said pre-shaped tines also having a portion which is biased against the wall of the bronchus or bronchiole when said tines are expanded.

30

WO 00/62699

PCT/US00/10847

14. The energy transfer apparatus of claim 1 wherein said expandable portion comprises a balloon member.

15. The energy transfer apparatus of claim 14 further comprising a fluid which expands said balloon member into said second state.

16. The energy transfer apparatus of claim 15 further comprising a heat generating element within said balloon member, wherein said energy transfer element comprises a surface of said balloon member, and said fluid being configured to conduct heat from said heat generating element to said surface of said balloon member.

17. The energy transfer apparatus of claim 16 further comprising at least one RF electrode at an exterior of said balloon, said RF electrode configured to heat the airway tissue.

18. The energy transfer apparatus of claim 1 further comprising a proximal joint at an intersection of said distal portion and said expandable portion, and wherein each of said legs having a first end extending from said proximal joint and a second end terminating at a distal joint, said distal joint being adjacent to said distal tip, each of said legs further having a center section substantially parallel to said elongated body and each of said legs being spaced around a circumference of said elongated body to form a basket.

19. The energy transfer apparatus of claim 18 wherein each said basket leg has a circular cross section.

20. The energy transfer apparatus of claim 18 wherein each said basket leg has a rectangular cross section.

21. The energy transfer apparatus of claim 18 wherein at least of one of said legs comprises an electrically conductive material, and said leg functions as said energy transfer element.

5 22. The energy transfer apparatus of claim 21 wherein said basket legs comprise a stainless steel alloy.

10 23. The energy transfer apparatus of claim 18 wherein said basket has a length from said proximal joint to said distal joint of less than 35 mm when said basket is in said first state.

24. The energy transfer apparatus of claim 18 wherein said plurality of legs consists of four legs each spaced at approximately 90 degree intervals around said elongated body.

15 25. The energy transfer apparatus of claim 18 wherein said plurality of legs consists of five legs each spaced at approximately 72 degree intervals around said elongated body.

20 26. The energy transfer apparatus of claim 18 wherein said temperature detecting element is attached to a first leg of said plurality of single legs.

27. The energy transfer apparatus of claim 26 further comprising at least one additional temperature detecting element attached said plurality of legs.

25 28. The energy transfer apparatus of claim 26 wherein said temperature detecting element is attached in thermal communication to said first leg by soldering, welding, adhesive bonding, or other adherents.

30 29. The energy transfer apparatus of claim 28 wherein said temperature detecting element is a thermocouple having a first and second leads joined separately to said first leg, each lead in electrical communication with said first leg.

30. The energy transfer apparatus of claim 18 wherein a radio frequency electrode is attached to each leg of said basket.

5 31. The energy transfer apparatus of claim 30 wherein said radio frequency electrode is attached to each leg of said basket by a heat shrink fastener.

32. The energy transfer apparatus of claim 31 wherein said temperature detecting element is placed between at least one of said legs and said heat shrink fastener.

10 33. The energy transfer apparatus of claim 18 wherein a resistively heated element is coiled around at least a portion of each legs.

34. The energy transfer apparatus of claim 33 wherein said temperature detecting element is placed between at least one of said legs and said resistively heated element.

15 35. The energy transfer apparatus of claim 18 wherein a polymeric heating element is on at least a portion of each basket leg.

20 36. The energy transfer apparatus of claim 18 wherein an electrically conductive paint covers at least a portion of each basket leg.

37 The energy transfer apparatus of claim 18 wherein a printed flex circuit is on at least a portion of each basket leg.

25 38. The energy transfer apparatus of claim 18 wherein said legs are joined in electrical communication at either proximal, distal, or both joints by soldering, welding, or other means.

30 39. The energy transfer apparatus of claim 38 wherein said distal joint further comprise an adhesive which fixedly attaches said ends of legs to said joint.

40. The energy transfer apparatus of claim 38 wherein either said proximal or distal joint not in electrical communication is adhesively bonded or thermoformed.

41. The energy transfer apparatus of claim 18 wherein said elongated body comprises a plurality of basket leg lumens, wherein each of said ends of said basket legs is placed in each lumen.

42. The energy transfer apparatus of claim 18 wherein said plurality of legs is formed from a single sheet.

43. The energy transfer apparatus of claim 42 wherein said sheet is a stainless steel material.

44. The energy transfer apparatus of claim 1 wherein said deployment member further comprises a sheath being slidably coupled and exterior to said elongated body and said expandable portion, and

wherein said expandable portion is resilient and upon advancement out of said sheath said expandable member self expand into said second state.

45. The energy transfer apparatus of claim 1 wherein said deployment member is force compensated to limit a force which said expandable member can apply to the airway while in said second expanded state.

46. The energy transfer apparatus of claim 1 wherein said deployment member further comprises a deflection limiting stop to limit a size of said second state of said expandable member.

47. The energy transfer apparatus of claim 1 wherein said deployment member comprises:

a handle adjacent to a proximal end of said elongated body;

a wire extending from said handle through said lumen of said elongated body and

fixedly attached to said distal tip; and

and at least a first control member moveably attached to said handle.

5 48. The energy transfer apparatus of claim 47 wherein said elongated body is slidably attached to said handle;

said elongated body, said wire, and said distal tip are slidably moveable in distal and proximal directions; and further comprising

10 a stop configured to prevent distal movement of said wire beyond a deployment point, wherein beyond said deployment point distal movement of said elongated body against said non-moving distal tip causes said expansion member to expand to said second state.

15 49. The energy transfer apparatus of claim 48 further comprising a sheath, said sheath being slidably coupled and exterior to said elongated body and said expandable portion, wherein said expandable portion advances out of a distal end of said sheath to expand to said second state.

20 50. The energy transfer apparatus of claim 48 wherein said first control member is configured to advance said elongated body and said wire in distal and proximal directions.

51. The energy transfer apparatus of claim 50 further comprising a detent means for maintaining said elongated body distally of said deployment point.

25 52. The energy transfer apparatus of claim 50 wherein said control member is configured to frictionally maintain said elongated body distally of said deployment point.

30 53. The energy transfer apparatus of claim 47 further comprising a sheath external to and covering said elongated body and said expandable portion, said sheath extending from said distal tip to said proximal portion; and wherein said handle is adjacent to a proximal end of said sheath, said sheath being slidably attached to said handle, said elongate body being rigidly attached to said handle;

said wire, and said distal tip are slidably moveable in distal and proximal directions;
said first control member being attached to said sheath, said first control member
moveably secured to said handle, where distal movement of said first control member
retracts said sheath distally on said elongate member uncovering said elongate member and
5 said expandable portion; and

a second control member attached to said wire, said second control member
moveably secured to said handle, where distal movement of said second control member
retracts said distal tip and said expandable portion against said non-moving elongated
member causing said expandable portion to radially expand into said second state.

10

54. The energy transfer apparatus of claim 1 wherein said elongated body has a wall
reinforced with a polymeric or metallic member.

15

55. The energy transfer apparatus of claim 1 wherein said apparatus is sized to fit
within a working channel of a bronchoscope.

56. The energy transfer apparatus of claim 55 wherein a diameter of said working
channel of said bronchoscope is less than or equal to 2 mm.

20

57. The energy transfer apparatus of claim 1 wherein said flexible elongated member
has a stiffness sufficient to pass through a working channel seal of a bronchoscope.

58. The energy transfer apparatus of claim 1 wherein said distal tip is configured to
minimize gouging of the airway.

25

59. The energy transfer apparatus of claim 58 further comprising a redundant joint
attaching said distal tip to said elongated body.

30

60. The energy transfer apparatus of claim 58 wherein said distal tip is sized to fit
within a bronchoscope.

61. The energy transfer apparatus of claim 1 wherein said deployment member comprises a wire extending from said distal tip to said proximal portion, said wire being configured to provide a current to said energy transfer elements.

5 62. The energy transfer apparatus of claim 1 wherein said deployment member comprises a wire extending from said distal tip to said proximal portion, said wire being configured to move said expansion portion between said first and second states.

10 63. The energy transfer apparatus of claim 62 wherein said wire is also configured to provide a current to said energy transfer elements.

64. The energy transfer apparatus of claim 62 wherein said temperature detecting element is attached to a portion of said wire located within said expandable portion.

15 65. The energy transfer apparatus of claim 1 wherein a portion of said elongated body is radiopaque.

20 66. The energy transfer apparatus of claim 1 further comprising a steering member configured to deflect said distal tip in a desired direction.

67. The energy transfer apparatus of claim 1 further comprising a vision member.

25 68. The energy transfer apparatus of claim 67 wherein said vision system comprises a fiber optic cable extending through said elongated body.

69. The energy transfer apparatus of claim 67 wherein said vision system comprises a CCD chip.

30 70. The energy transfer apparatus of claim 1 further comprising a power supply configured to deliver energy through said energy transfer elements to the airway walls.

71. The energy transfer apparatus of claim 70 wherein said power supply is configured to stop delivery of energy if said temperature detecting element detects a predetermined maximum temperature.

5 72. The energy transfer apparatus of claim 70 wherein said power supply is configured to stop delivery of energy if a predetermined temperature change is not detected within a predetermined time.

73. The energy transfer apparatus of claim 1 wherein said apparatus is sterile.

10

74. The energy transfer apparatus of claim 1 wherein said elongated body comprises a single tube having slits wherein an area between said slits comprises said expandable portion.

15 75. The energy transfer apparatus of claim 1 further comprising a proximal joint joining said distal portion of said elongated body to a proximal portion of said expandable portion, said proximal joint being redundant.

20 76. The energy transfer apparatus of claim 1 wherein said energy transfer element is configured to deliver a treatment pattern selected from the group consisting of a longitudinal stripe, an axial stripe, a circumferential band, a helical stripe, a rectangular spot, an elliptical spot, and a circular spot.

25 77. The energy transfer apparatus of claim 1 wherein said energy transfer element is configured to produce fibrosis of the airway tissue.

78. The energy transfer apparatus of claim 1 having a plurality of energy transfer elements wherein said plurality of energy transfer elements are configured to deliver a pattern of treatment radially about a lumen of the airway.

30

79. The energy transfer apparatus of claim 1 further configured to produce at least one treatment pattern longer than a length of said energy transfer element.

80. The energy transfer apparatus of claim 79 wherein said apparatus is configured to be moved through a lumen of the airway while delivering treatment to the airway tissue.

81. A kit comprising
an energy transfer apparatus for facilitating energy transfer into a mass of airway tissue, and
a generator configured to deliver energy to said energy transfer apparatus.

82. The kit of claim 81 further comprising a bronchoscope.

83. The kit of claim 81 wherein said energy transfer apparatus is the apparatus of claim 1.

84. An energy transfer apparatus for facilitating energy transfer into a mass of airway tissue within a lung, said energy transfer apparatus having been rendered sterile for the purposes of prevention of infection of the lung.

85. A method for treating conditions of the lungs by decreasing airway responsiveness comprising:
transferring energy to or from an airway wall to alter the airway wall in such a manner that the responsiveness of the airway is reduced.

86. The method of Claim 85, wherein the energy transfer alters the structure of the airway wall.

87. The method of Claim 85, wherein the energy transfer alters the function of the airway wall.

88. The method of Claim 85, wherein the method is used to treat asthma by preventing contraction of the airway.

89. The method of Claim 85, wherein the energy transfer alters the airway in such a
5 manner that the ability of the airway to narrow is impaired.

90. The method of Claim 85, wherein the energy is transferred to the airway by moving an energy transfer device along the airway.

10 91. The method of Claim 85, wherein the energy is transferred to a portion of the airway by an energy transfer device which creates one or more energy transfer patterns.

92. The method of Claim 91, wherein the energy transfer pattern is a pattern of one or more spots having a rectangular, elliptical, circular, or other shape.

15 93. The method of Claim 91, wherein the energy is transferred to the airway in a band pattern covering a full diameter of the airway.

20 94. The method of Claim 91, wherein the energy is transferred to the airway in a pattern of at least one stripe extending along the airway in a longitudinal or helical pattern.

95. The method of Claim 85, wherein the energy is transferred to the airway at the location of an opening of an airway, a bifurcation, or an opening of a side branch.

25 96. The method of Claim 85, wherein the energy is transferred to the airway at a segment of the airway between bifurcations, openings, or side branches.

30 97. The method of Claim 85, wherein the energy is transferred to the airway by activating an energy transfer device, deactivating the energy transfer device, moving the energy transfer device, and reactivating the energy transfer device.

98. The method of Claim 85, wherein the energy transfer alters smooth muscle of the airway wall in such a manner that the responsiveness of the airway is reduced.

5 99. The method of Claim 98, wherein the ability of the smooth muscle to contract is altered.

100. The method of Claim 99, wherein shortening of all or some of the smooth muscle is reduced or prevented.

10 101. The method of Claim 98, wherein the energy transfer alters a connection between the smooth muscle and the airway wall.

102. The method of Claim 98, wherein the energy transfer eliminates at least a portion of the smooth muscle.

15 103. The method of Claim 98, wherein the energy transfer prevents the smooth muscle from replicating.

20 104. The method of Claim 85, wherein the energy transfer alters mucus producing cells or glands in the airway wall in such a manner that the responsiveness of the airway is reduced.

105. The method of Claim 104, wherein the energy transfer eliminates at least a portion of the mucus producing cells or glands.

25 106. The method of Claim 104, wherein the energy transfer prevents the mucus producing cells or glands from replicating.

30 107. The method of Claim 104, wherein the energy transfer alters the ability of the mucus producing cells or glands to produce or secrete mucus.

108. The method of Claim 85, wherein the energy transfer alters production or release of inflammatory mediators in at least a part of the airway.

5 109. The method of Claim 108, wherein the energy transfer prevents replication of structures producing or releasing inflammatory mediators.

110. The method of Claim 108, wherein the energy transfer eliminates at least a portion of the structures which produce or release inflammatory mediators.

10 111. The method of Claim 108, wherein the energy transfer alters the ability of structures in the airway to produce or release inflammatory mediators.

112. The method of Claim 85, wherein the energy transfer increases resistance to airway caliber reduction in at least a part of the airway.

15 113. The method of Claim 112, wherein the increased resistance is produced by thickening or fibrosing the airway wall.

20 114. The method of Claim 112, wherein the increased resistance is produced by increasing parenchymal tethering.

115. The method of Claim 112, wherein the increased resistance is produced by increasing connection support between the airway and support structures.

25 116. The method of Claim 85, wherein the energy transfer alters at least a part of the epithelium in the airway wall.

117. The method of Claim 116, wherein the energy transfer eliminates epithelium.

30 118. The method of Claim 116, wherein the energy transfer stimulates healing of the epithelium.

119. The method of Claim 116, wherein the energy transfer stimulates replacement of the epithelium.

5 120. The method of Claim 85, wherein the energy transfer alters at least a part of a submucosal layer in the airway wall.

121. The method of Claim 120, wherein the energy transfer reduces a thickness of the submucosal layer.

10

122. The method of Claim 85, wherein the energy transfer alters mucosal folding.

123. The method of Claim 122, wherein the structure of the airway wall is altered by increasing a number of mucosal folds or decreasing a size of mucosal folds.

15

124. The method of Claim 85, wherein a photodynamic agent is delivered to the airway wall and the energy transfer stimulates the photodynamic agent.

125. The method of Claim 85, wherein the airways treated are at least 1 mm in diameter.

20

126. The method of Claim 125, wherein the airways treated are at least 3 mm in diameter.

127. The method of Claim 85, wherein the airways treated are generations 2 through 8.

25

128. The method of Claim 127, wherein the airways treated are generations 2 through 6.

129. The method of Claim 85, wherein the airway treated are visualizable with a bronchoscope.

30

130. A method for treating conditions of the lungs by decreasing airway resistance to airflow comprising:
transferring energy to or from an airway wall to alter the airway wall in such a manner that a resistance to airflow of the airway is decreased.

5

131. The method of Claim 130, wherein the energy transfer alters a structure of the airway wall to increase an effective caliber of the airway.

10

132. The method of Claim 131, wherein the structure of the airway wall is altered by decreasing a thickness of the airway wall.

133. The method of Claim 130, wherein the energy transfer alters a function of the airway wall to increase an effective caliber of the airway.

15

134. The method of Claim 133, wherein the function of the airway wall is altered by reducing mucus or mucus plugging.

135. The method of Claim 133, wherein the function of the airway is altered by reducing tissue inflammation.

20

136. The method of Claim 135, wherein inflammation is reduced by reducing edema or healing epithelium.

25

137. The method of Claim 133, wherein the function of the airway wall is altered by altering a resting tone of the airway wall.

138. The method of Claim 137, wherein the resting tone is altered by altering the smooth muscle or by denervation.

30

139. A method for treating a lung having at least one symptom of reversible obstructive pulmonary disease comprising the steps of:

a) advancing a treatment device into the lung; and

b) treating the lung with the device to at least reduce the ability of the lung to produce at least one reversible obstructive pulmonary disease symptom.

5 140. The method of claim 139 further comprising the steps of:

a) locating one or more treatment sites within an airway of the lung;

b) selecting at least one of the treatment sites located in said locating step; and

c) wherein said treating step comprises treating the at least one treatment site selected in said selecting step.

10

141. The method of claim 140 wherein said steps are performed while the lung is experiencing at least one symptom of reversible obstructive pulmonary disease

15

142. The method of claim 140 further comprising the step of stimulating the lung to produce at least one artificially induced symptom of reversible obstructive pulmonary disease.

143. The method of claim 142 wherein said stimulating step is performed prior to said locating step.

20

144. The method of claim 140 wherein said locating step is performed by a non-invasive imaging technique.

25

145. The method of claim 144 where the non-invasive imaging technique is selected from a group consisting of a bronchography, magnetic resonance imaging, computed tomography, chest x-ray, and ventilation perfusion scans.

30

146. The method of claim 140 further comprising the steps of:

a) testing the lung for at least one pre-treatment pulmonary function value prior

to said treating step; and

b) re-testing the lung for at least one post-treatment pulmonary function value subsequent to said treating step.

147. The method of claim 146 further comprising the step of treating additional sites in the lung after said re-testing step to at least reduce the effect of at least one symptom of reversible obstructive pulmonary disease in the lung until a desired post-treatment pulmonary function value is measured.

148. The method of claim 146 further comprising the step of stimulating the lung to produce at least one artificially induced symptom of reversible obstructive pulmonary disease.

149. The method of claim 146 wherein the pulmonary function value is selected from a group consisting of FEV (forced expiratory volume), FVC (forced vital capacity), FEF (forced expiratory flow), Vmax (maximum flow), PEF (peak expiratory flow rate), FRC (functional residual capacity), RV (residual volume), TLC (total lung capacity), or a combination thereof.

150. The method of claim 140 wherein said locating step comprises identifying treatment sites within the airway being susceptible to a symptom selected from the group consisting of airway inflammation, airway constriction, excessive mucous secretion, and any other symptom of reversible obstructive pulmonary disease.

151. The method of claim 150 wherein said identifying step comprises stimulating the airway to produce at least one of the symptoms to identify the treatment sites.

152. The method of claim 151 where said stimulating step comprises pharmacologically stimulating the airway.

153. The method of claim 151 where said stimulating step comprises electrically stimulating the airway.

154. The method of claim 139 further comprising the step of stimulating the lung to produce at least one artificially induced symptom of reversible obstructive pulmonary disease.

5

155. The method of claim 154 wherein said stimulating step comprises electrically stimulating the lung.

10

156. The method of claim 154 wherein said stimulating step comprises pharmacologically stimulating the lung.

157. The method of claim 154 further comprising the step of evaluating the result of said stimulating step.

15

158. The method of claim 157 wherein said evaluating step comprises visually evaluating the effect of said stimulating step on the airway.

159. The method of claim 157 wherein said evaluating step comprises measuring the pressure change in the lung before and after said stimulating step.

20

160. The method of claim 159 wherein said measuring step comprises measuring a global pressure change in the lung.

25

161. The method of claim 159 wherein said measuring step comprises measuring a local pressure change in an airway.

162. The method of claim 157 wherein said evaluating step comprises measuring the resistance to airflow within the lungs before and after the stimulating step.

30

163. The method of claim 157 wherein said evaluating step comprises measuring the electrical properties of the tissue before and after the stimulating step.

164. The method of claim 157 further comprising the step of selecting at least one treatment parameter based upon said evaluating step.

5 165. The method of claim 164 wherein said stimulating step, evaluating step, and selecting at least one treatment parameter step are performed subsequent to said treating step.

10 166. The method of claim 139 wherein said steps are performed while the lung is experiencing an attack of reversible obstructive pulmonary disease.

15 167. The method of claim 139 wherein said treating step comprises treating at least airway tissue within the lung, the method further comprising the step of determining the effect of the treatment by visually observing the airway for blanching of airway tissue.

168. The method of claim 167 further comprising the step of adjusting at least one treatment parameter based upon said monitoring step.

20 169. The method of claim 139 wherein said treating step comprises treating at least airway tissue at a treatment site within the lung, the method further comprising the step of monitoring impedance in the tissue.

25 170. the method of claim 169 wherein said monitoring step includes monitoring impedance at one or more points within the lung.

171. The method of claim 169 further comprising the step of adjusting at least one treatment parameter based upon said monitoring step.

30 172. The method of claim 139 wherein said treating step comprises treating at least airway tissue at a treatment site within the lung, the method further comprising the step of sub-mucosal sensing of the treatment to the lung tissue

173. The method of claim 172 wherein the sensing comprises non-invasive sensing.

174. The method of claim 172 wherein the sensing comprises invasive sensing.

5

175. The method of claim 174 wherein the invasive sensing comprises temperature, impedance, or blood flow monitoring.

176. The method of claim 139 wherein said step of treating the lung comprises
10 depositing a radioactive substance in at least one treatment site within the lung.

177. The method of claim 139 further comprising the steps of scraping epithelial tissue from a wall of an airway within the lung prior to said treating step.

15 178. The method of claim 177 further comprising the step of depositing a substance on the scraped wall of the airway after said treatment step.

179. The method of claim 178 wherein said substance is epithelial tissue, collagen, growth factors, or any other tissue from the patient's body.

20

180. The method of claim 139 wherein said treating step comprises treating an airway wall within the lung using a modality selected from the group consisting of frequency, radioactive, and heat.

25 181. The method of claim 139 further comprising the step of pre-treating the lung to at least reduce the ability of the lung to produce at least one symptom of reversible obstructive pulmonary disease prior to said treating step, wherein at least one parameter of said pre-treating step is lesser than at least one parameter of said treating step.

30 182. The method of claim 181 wherein the pre-treating step parameter of time or temperature is less than the treating step parameter of time or temperature.

183. The method of claim 139 wherein said treating step comprises separating said treating step into stages to reduce a healing load on the lung.

5 184. The method of claim 183 wherein said separating step comprises treating different regions of the lung at different times.

10 185. The method of claim 183 wherein said separating step comprises dividing a total number of treatment sites into at a plurality of groups of treatment sites, and treating each group at a different time.

186. The method of claim 139 wherein said treating step includes sensing movement of the lung and repositioning the treatment device in response to said sensing step.

15 187. The method of claim 139 further comprising the step of reducing or stabilizing the temperature of lung tissue adjacent to a treatment site.

20 188. The method of claim 187 wherein said reducing step comprises injecting a cold fluid into lung parenchyma, the method further comprising the step of removing the fluid from the lung.

189. The method of claim 139 wherein said treating step occurs below an epithelial layer of lung tissue.

25 190. The method of claim 139 further comprising the step of providing drug therapy to further reduce the effects of reversible obstructive pulmonary disease or aid in the healing process from said treatment.

30 191. The method of claim 139 further comprising the step of providing exercise therapy to further reduce the effects of reversible obstructive pulmonary disease.

192. The method of claim 139 further comprising the step of providing respiratory therapy to further reduce the effects of reversible obstructive pulmonary disease or aid in the healing process from said treatment.

5 193. The method of claim 139 further comprising the step of educating a patient on reversible obstructive pulmonary disease management techniques to reduce effects of reversible obstructive pulmonary disease.

10 194. A method for reversing a treatment to reduce the ability of the lung to produce at least one symptom of reversible obstructive pulmonary disease comprising the step of stimulating re-growth of smooth muscle tissue in the lung.

195. The method of claim 57 wherein said stimulating step comprises electrostimulation.

15 196. A method of evaluating an individual having reversible obstructive pulmonary disease as a candidate for a procedure to reduce the ability of the individual's lung to produce at least one reversible obstructive pulmonary disease symptom by treating an airway within the lung of the individual, said method comprising the steps of:

- (a) assessing the pulmonary condition of the individual;
- (b) comparing said pulmonary condition to a corresponding predetermined
20 state; and
- (c) evaluating the individual based upon said comparing step.

197. The method of claim 196 further comprising the steps of:

- (a) performing pulmonary function tests on the individual to obtain at least one
25 pulmonary function value;
- (b) comparing the at least one pulmonary function value to a corresponding predetermined pulmonary function value; and
- (c) evaluating the individual based upon said comparing step.

30 198. The method of claim 197 wherein the pulmonary function value is selected from a group consisting of FEV (forced expiratory volume), FVC (forced vital capacity), FEF

(forced expiratory flow), Vmax (maximum flow), PEFr (peak expiratory flow rate), FRC (functional residual capacity), RV (residual volume), TLC (total lung capacity), or a combination thereof.

5 199. The method of claim 196 further comprising the step of stimulating the lung to produce at least one artificially induced symptom of reversible obstructive pulmonary disease.

10 200. The method of claim 196 further comprising the step of obtaining clinical information from the individual, and wherein said evaluating step further includes accounting for the clinical information.

201. The method of claim 196 wherein said step of assessing the pulmonary condition of the individual includes determining the subtype of asthma.

15

202. The method of claim 201 wherein said determining said subtype of asthma includes assessing the severity of the asthma in the individual.

20

203. The method of claim 201 wherein said determining said subtype of asthma includes assessing a trigger that induces the asthma in the individual.

204. The method of claim 201 wherein said determining said subtype of asthma includes assessing a characteristic feature of an immune system response in the individual having asthma.

25

205. The method of claim 201 wherein said determining said subtype of asthma includes assessing an expression of genes controlling at least one interleukin in the individual.

30

206. The method of claim 196 further comprising the step of determining how the individual's tissue will react to treatment.

207. The method of claim 196 further comprising the step of feeding at least one gas into the lung where said at least one gas has properties which aid in the assessment of pulmonary function.

5 208. The method of claim 207 wherein the properties of each gas which aid in the assessment of pulmonary function are different.

209. The method of claim 208 wherein at least one gas comprises an inert gas.

10 210. The method of claim 208 where the at least one gas is selected from helium, oxygen, nitrogen, carbon monoxide, and carbon dioxide.

211. A method of evaluating the effectiveness of a procedure to reduce the ability of lung to produce at least one symptom of reversible obstructive pulmonary disease previously performed on an individual having reversible obstructive pulmonary disease, said method
15 comprising the steps of:

(a) assessing the pulmonary condition of the individual;

(b) comparing said pulmonary condition to a corresponding predetermined state; and

(c) evaluating the effectiveness of the procedure based upon said comparing
20 step.

212. The method of claim 211 further comprising the steps of:

(a) performing pulmonary function tests on the individual to obtain at least one pulmonary function value;

25 (b) treating the lung to at least reduce the ability of the lung to produce at least one symptom of reversible obstructive pulmonary disease;

(c) performing post-procedure pulmonary function tests on the individual to obtain at least one post-procedure pulmonary function value; and

(e) comparing the pulmonary function value with the post-procedure pulmonary
30 function value to determine the effect of said treating step.

213. The method of claim 212 wherein the pulmonary function value is selected from a group consisting of FEV (forced expiratory volume), FVC (forced vital capacity), FEF (forced expiratory flow), Vmax (maximum flow), PEF (peak expiratory flow rate), FRC (functional residual capacity), RV (residual volume), TLC (total lung capacity), or a combination thereof.

214. The method of claim 211 further comprising the step of obtaining clinical information from the individual and evaluating the comparing step with the clinical information to assess the effectiveness of the procedure.

215. The method of claim 211 further comprising the step of stimulating at least one symptom of reversible obstructive pulmonary disease before assessing said pulmonary condition and repeating stimulation before assessing said post-procedure pulmonary condition.

216. A method of increasing stiffness of an airway in a lung comprising:
inserting an energy-based apparatus into the airway; and
causing trauma or damage to tissue of the airway through use of said apparatus to induce fibrosis to stiffen the airway.

217. The method of claim 216, wherein said trauma to cause fibrosis includes damaging smooth muscle tissue in the lung.

218. The method of claim 216, wherein said apparatus heats at least a portion of the lung to damage the tissue.

219. The method of claim 218, wherein said apparatus employs radio frequency energy.

220. The method of claim 218, wherein said apparatus employs microwave energy.

221. The method of claim 218, wherein said apparatus employs resistive heating.

222. The method of claim 221, wherein AC current heats the apparatus.

223. The method of claim 221, wherein DC current heats the apparatus.

5

224. The method of claim 216, wherein the apparatus cools at least a portion of the lung to damage the tissue.

10

225. The apparatus in any of the proceeding claims being slidably received within a bronchoscope.

226. The use of energy to produce a temperature variation for the therapeutic damaging of tissue of an airway in a lung to induce fibrosis to stiffen the airway.

15

227. The use of energy of claim 226, wherein said temperature variation is one of cooling.

228. The use of energy of claim 226, wherein said temperature variation is one of heating.

20

229. The use of energy of claim 228, wherein the energy used to produce the temperature variation is selected from a group of energies consisting of radio frequency, microwave and electrical current.

25

230. The use of energy to produce heat for the therapeutic damaging of tissue of an airway in a lung to induce fibrosis to stiffen the airway.

30

231. The use of energy of claim 230, wherein the energy used to produce the heat is selected from a group of energies consisting of radio frequency, microwave and electrical current.

232. The energy transfer apparatus as recited in claim 2 wherein said temperature detecting element is placed on the inside of one of said plurality of legs.

233. The energy transfer apparatus as recited in claim 29 wherein said temperature sensing detecting element is placed on the inside of one of said plurality of legs.

234. The energy transfer apparatus as recited in claim 1 wherein said elongate member is open such that fluid may flow into said lumen of said elongate member.

235. The energy transfer apparatus as recited in claim 1 wherein a diameter of said expandable portion in said second state is greater than 1 mm.

236. The energy transfer apparatus as recited in claim 1 wherein a diameter of said expandable portion in said second state is about 1.5 mm.

15

237. The energy transfer apparatus as recited in claim 1 wherein a diameter of said expandable portion in said second state is about 3.0 mm.

238. The energy transfer apparatus as recited in claim 12 wherein said diameter of said expandable portion in said second state is greater than 1 mm.

20

239. The energy transfer apparatus as recited in claim 1 wherein a ratio of a diameter of said expandable portion in said second state to a diameter of said expandable portion in said first state is between about $3/2$ to about $15/2$.

25

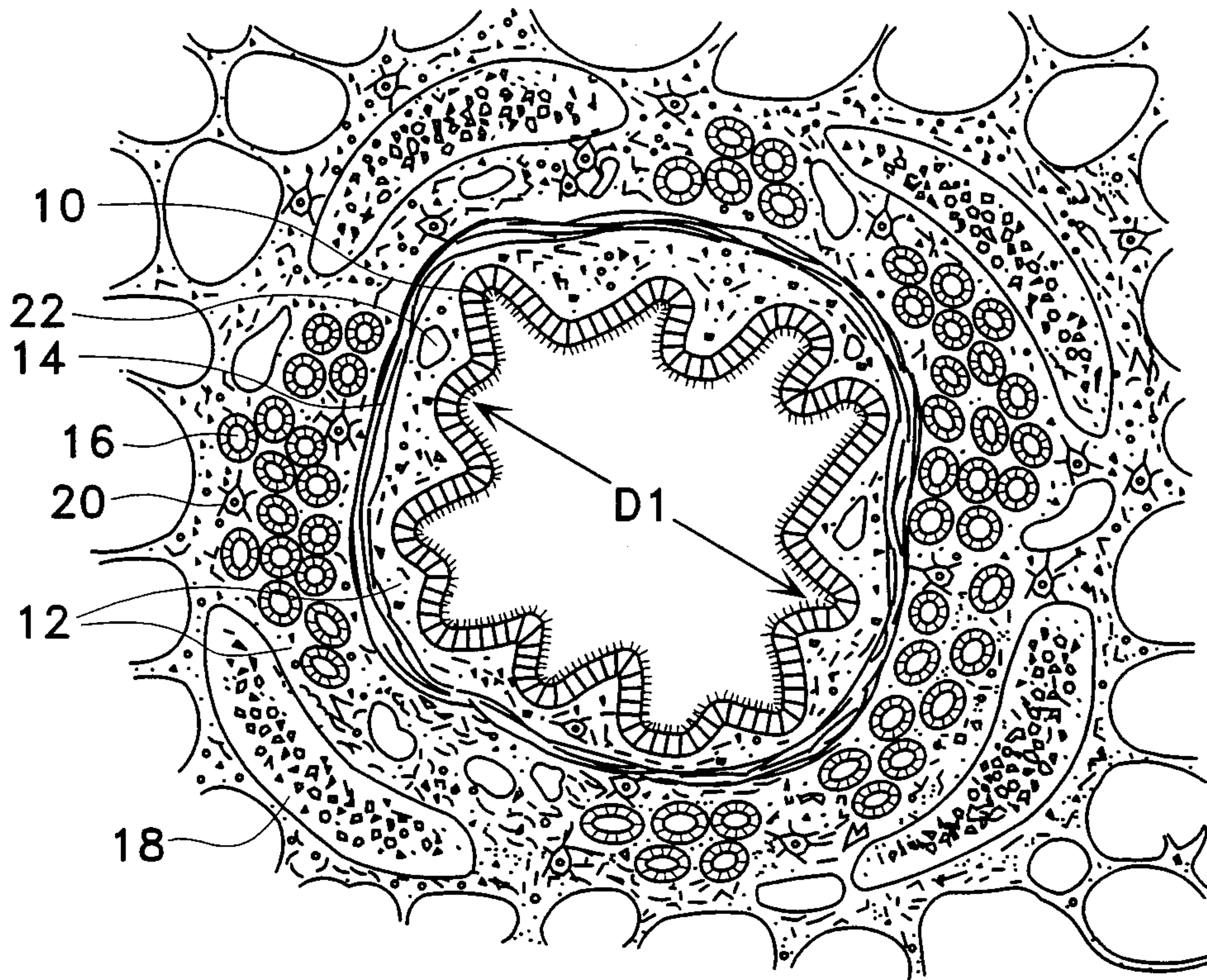


FIG. 1

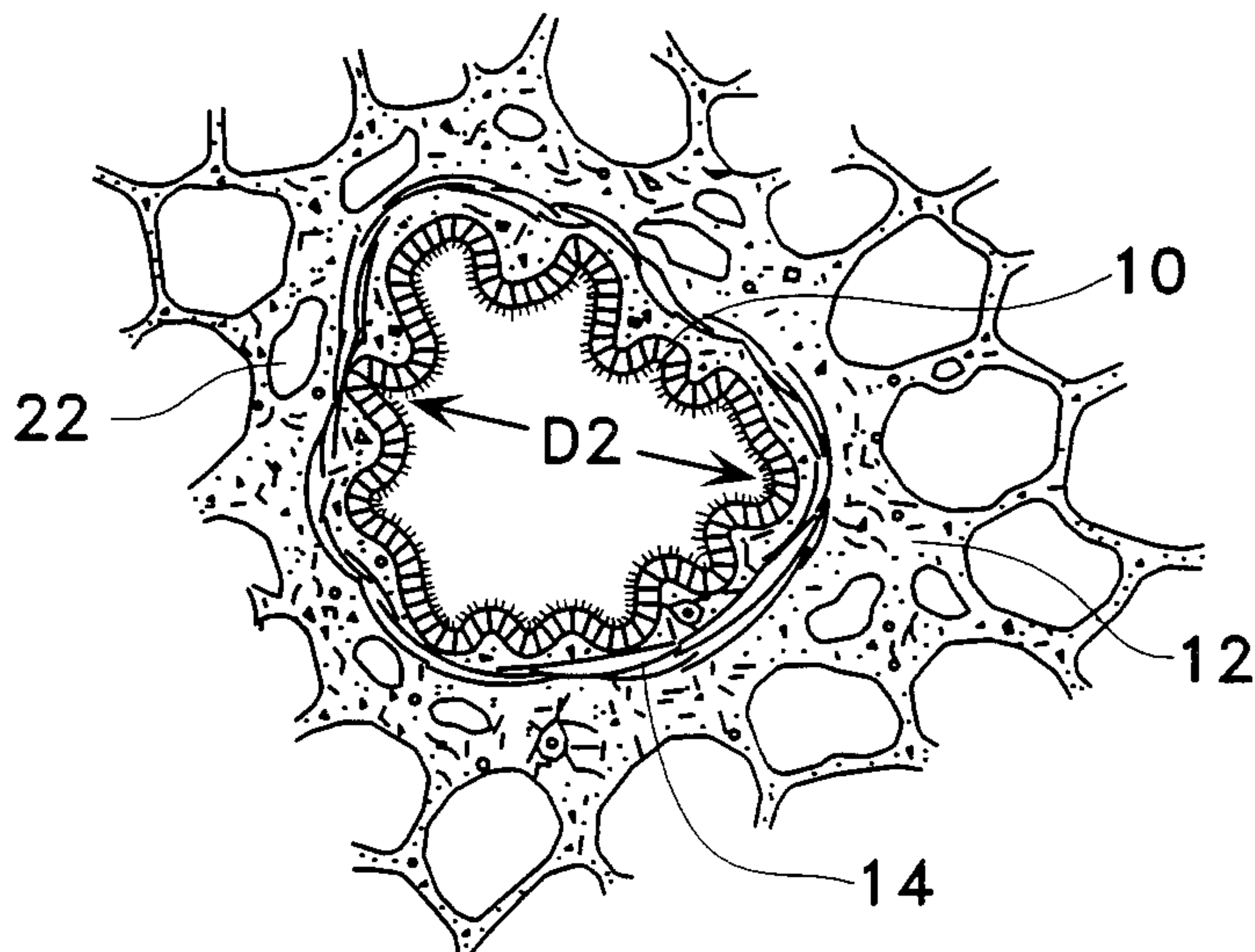


FIG. 2

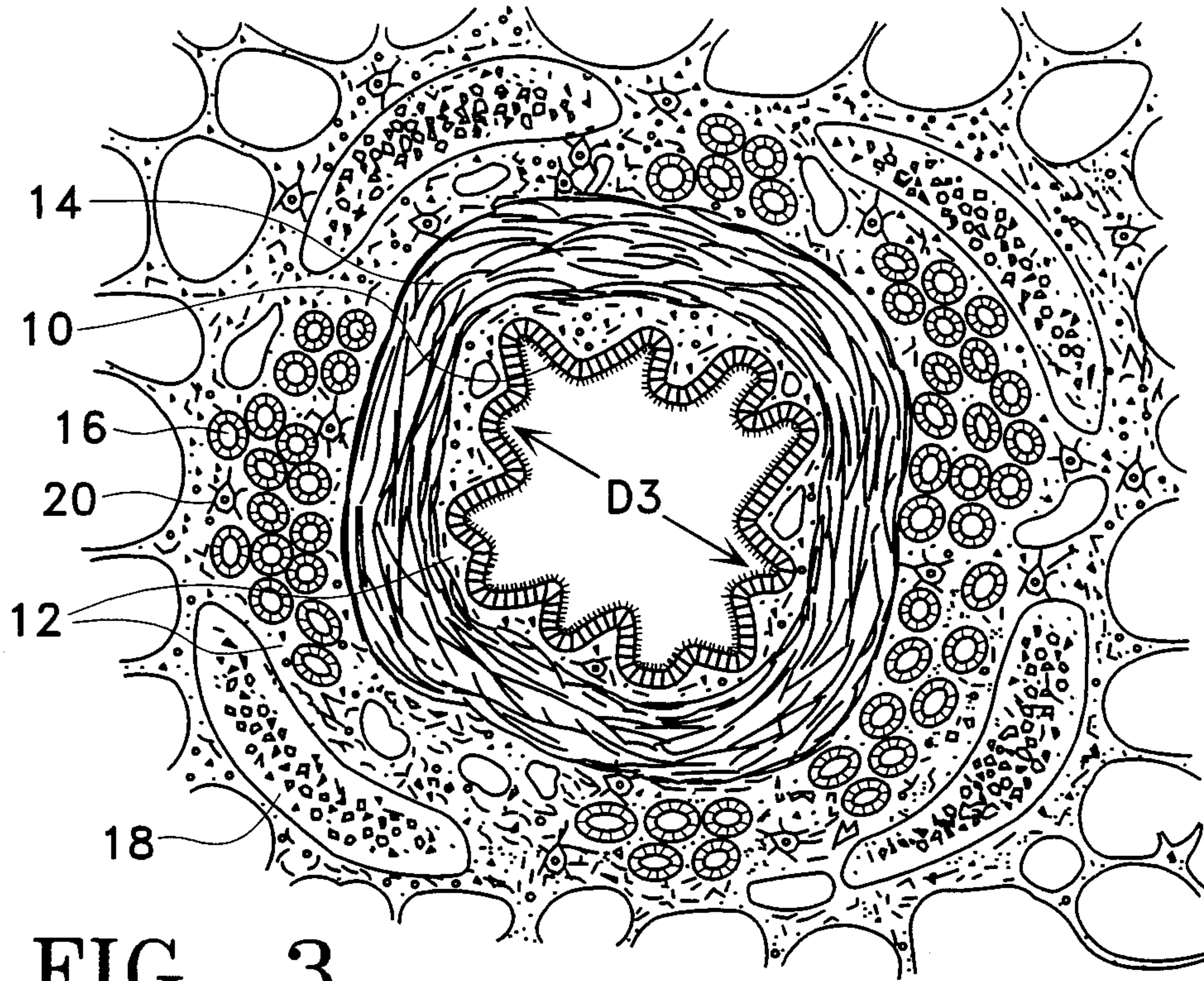


FIG. 3

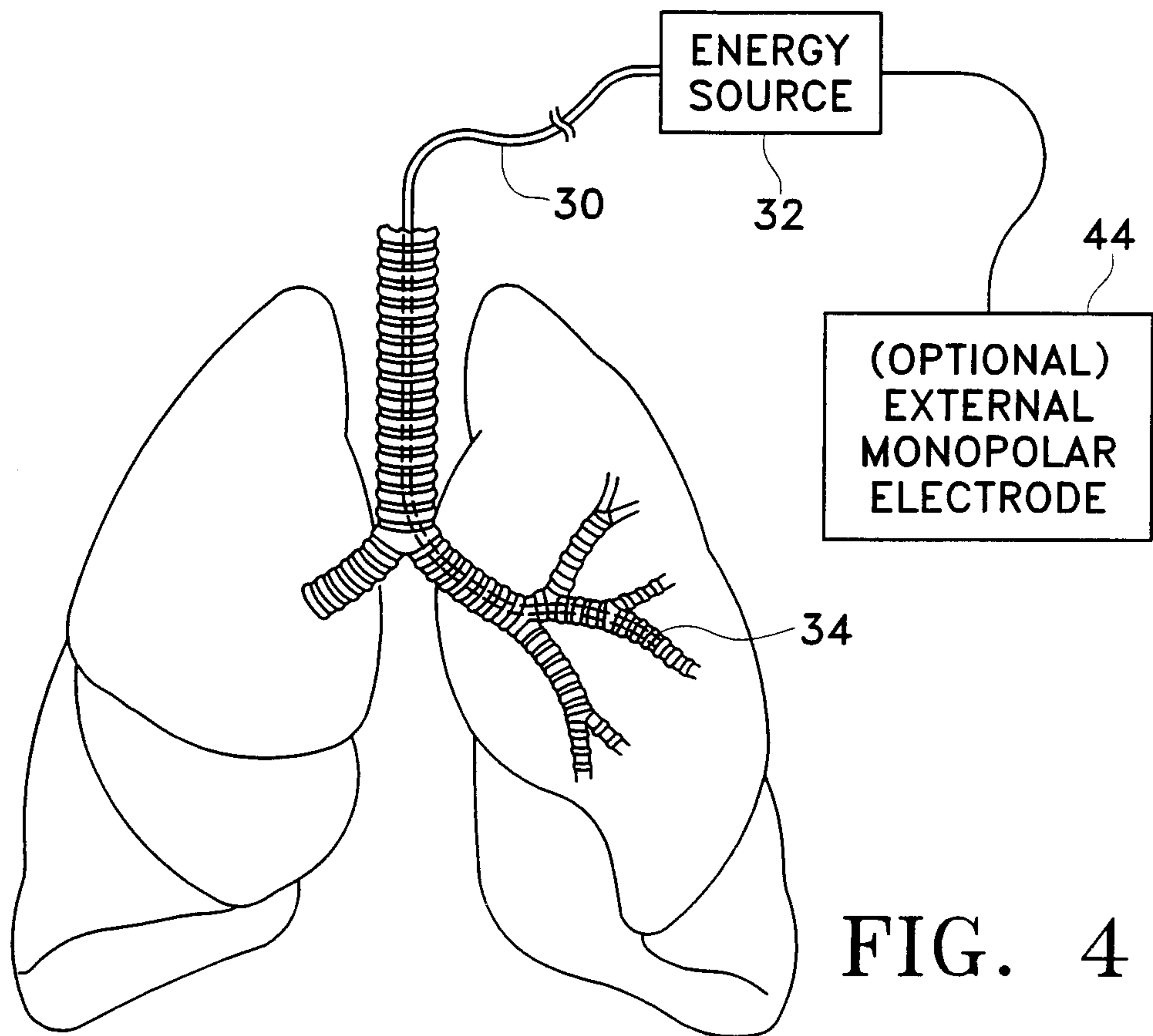


FIG. 4

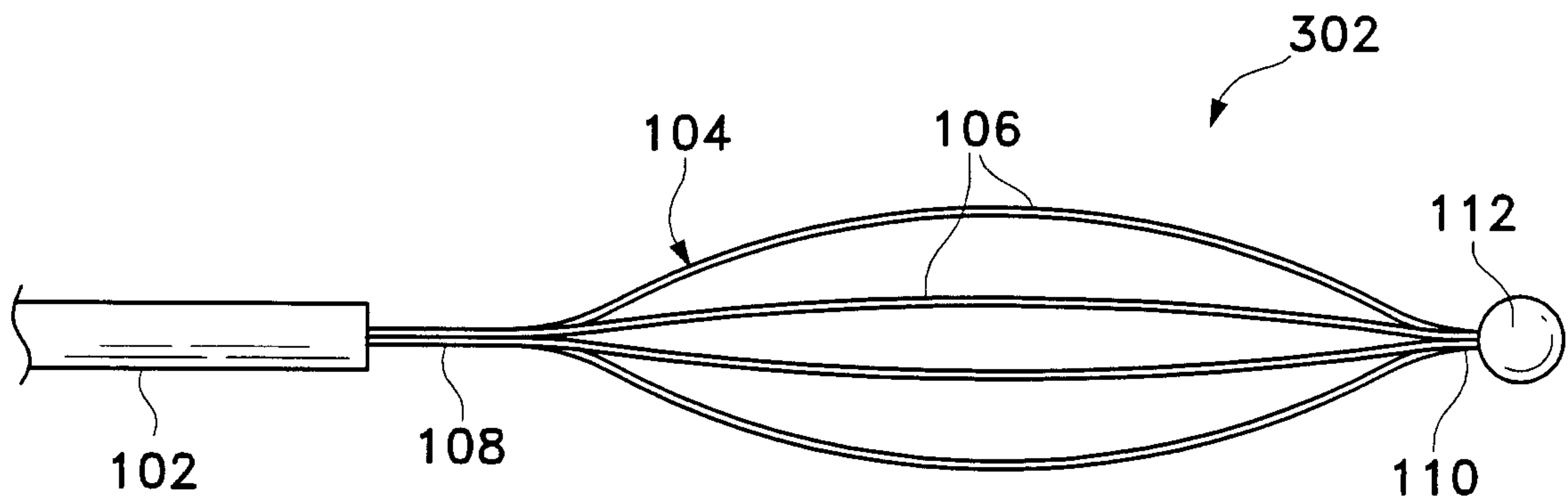


FIG. 5A

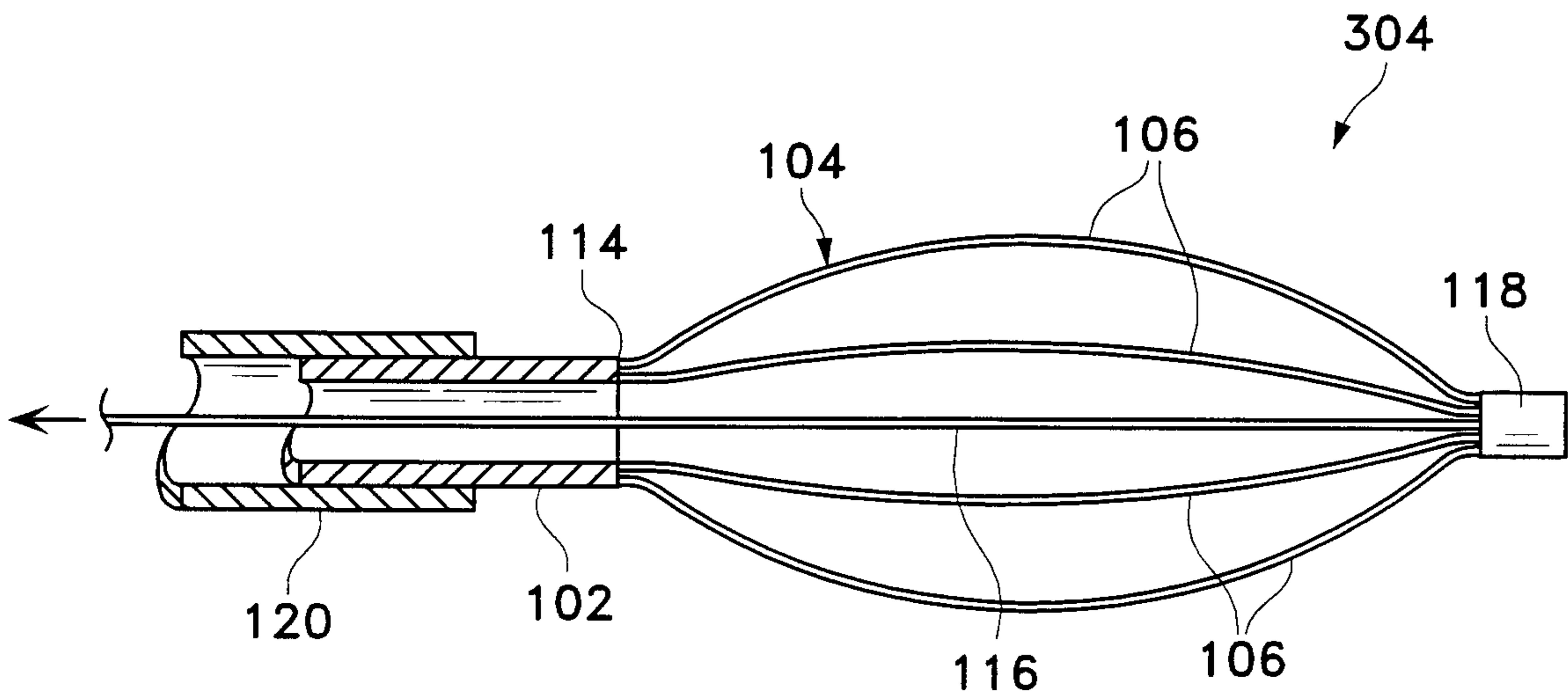


FIG. 5B

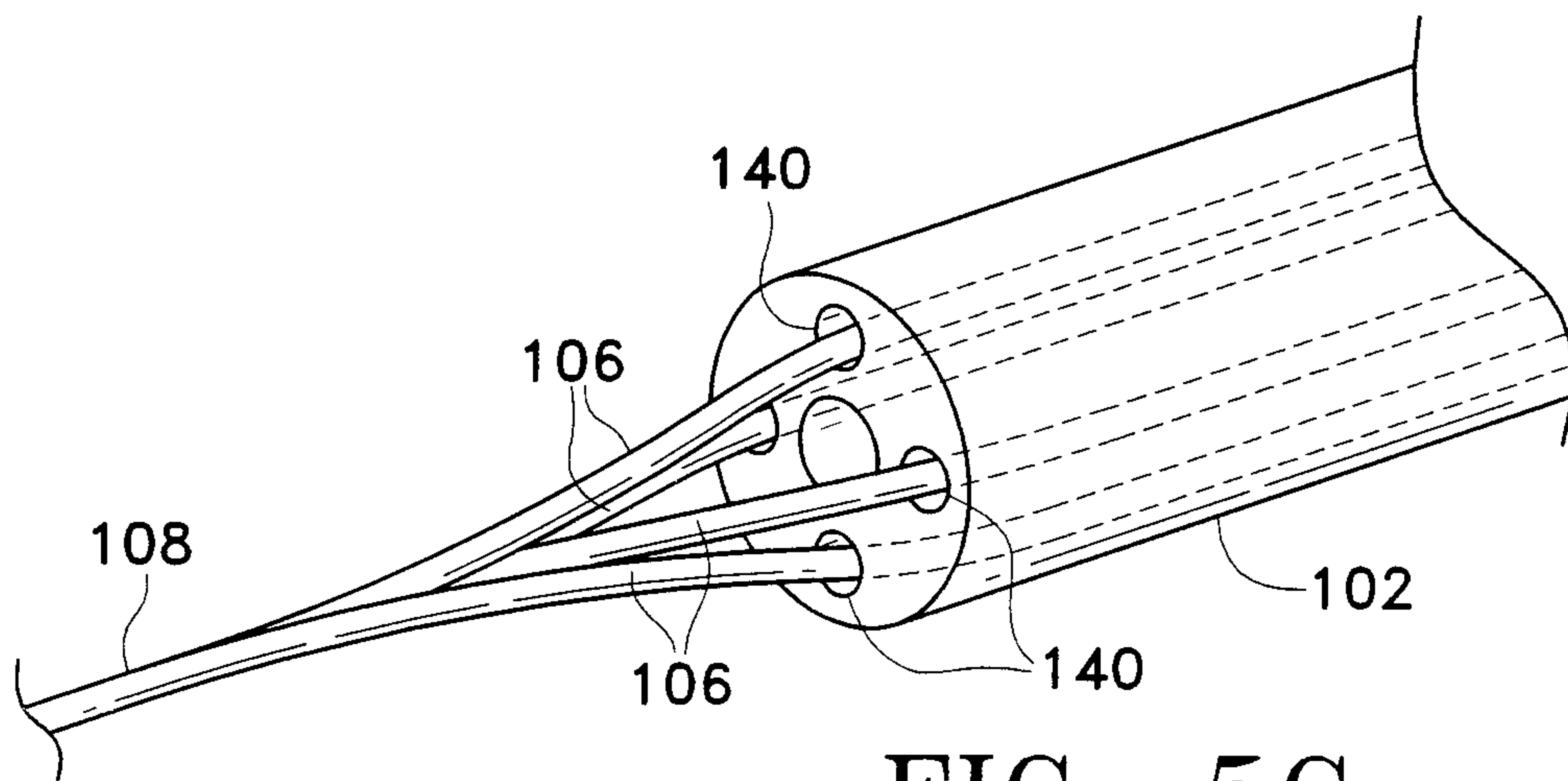


FIG. 5C

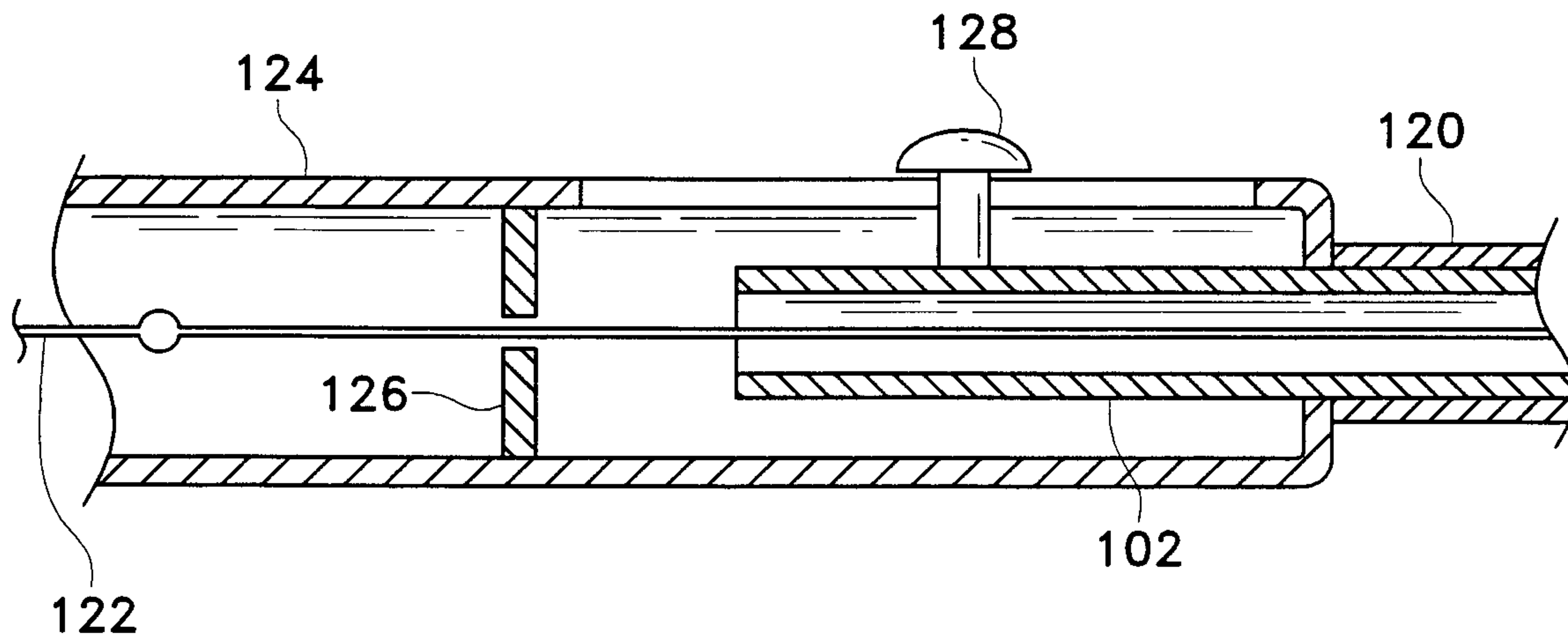


FIG. 5D

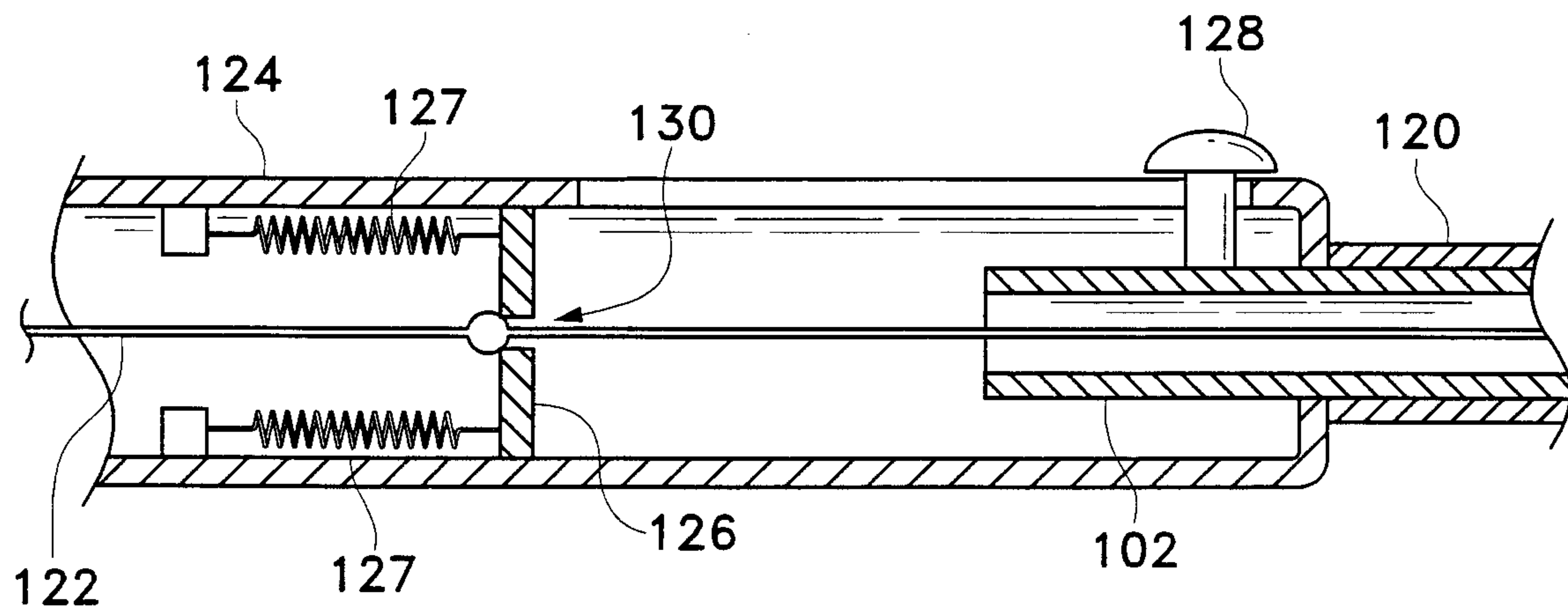


FIG. 5E

5/19

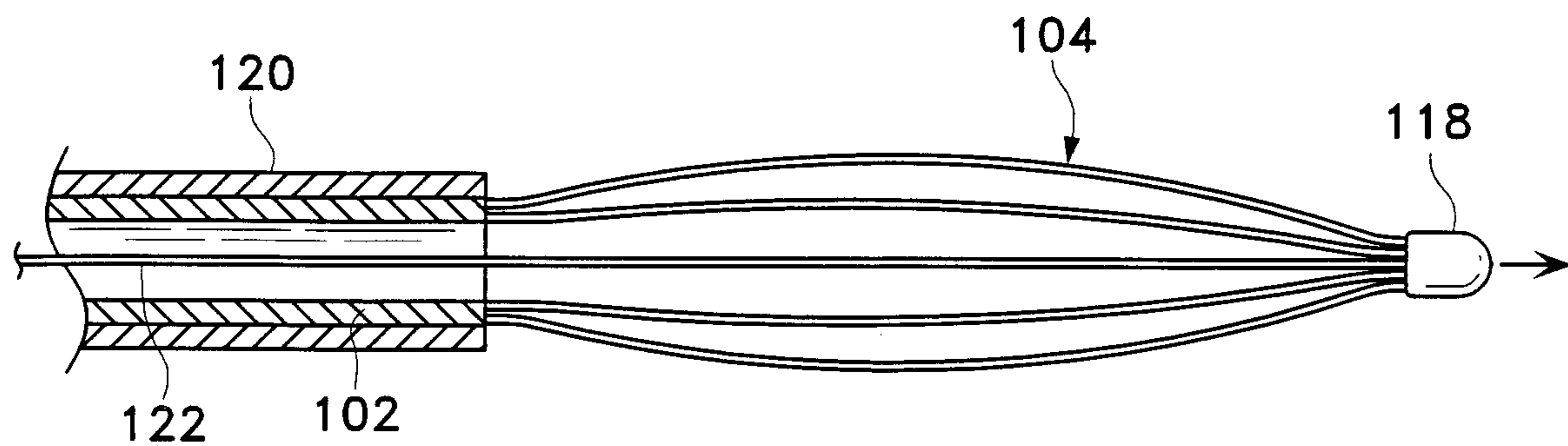


FIG. 5F

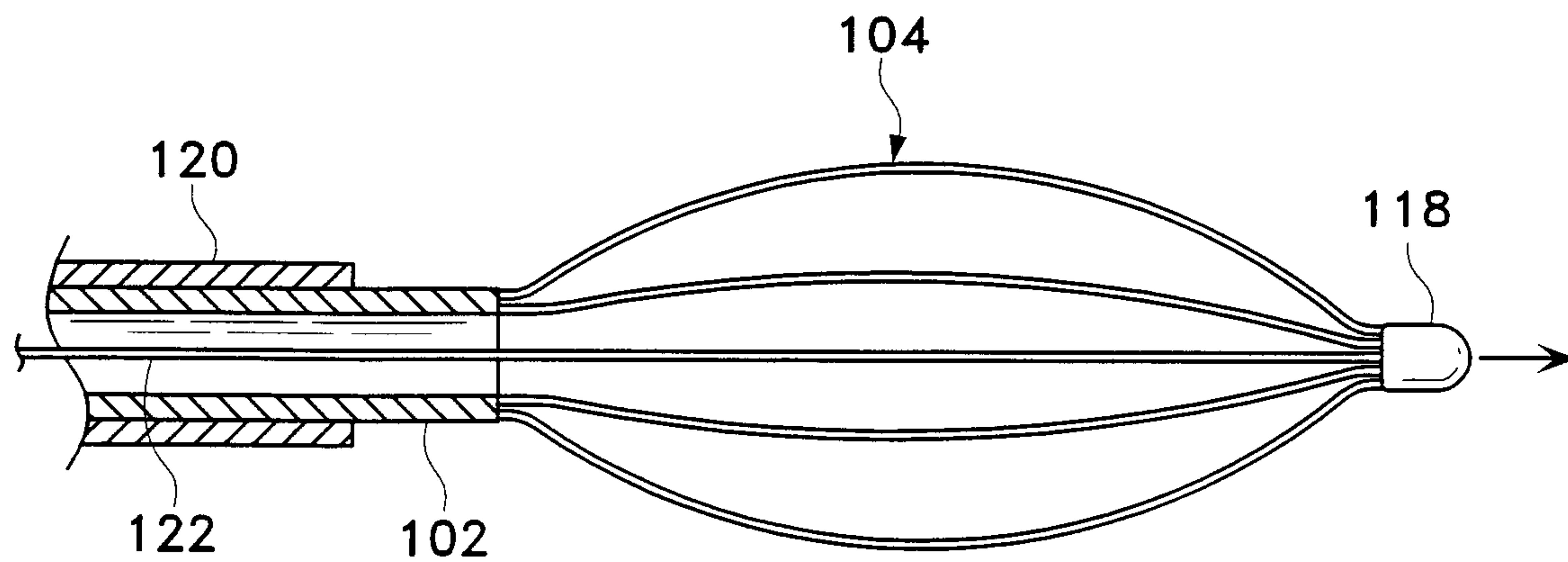


FIG. 5G

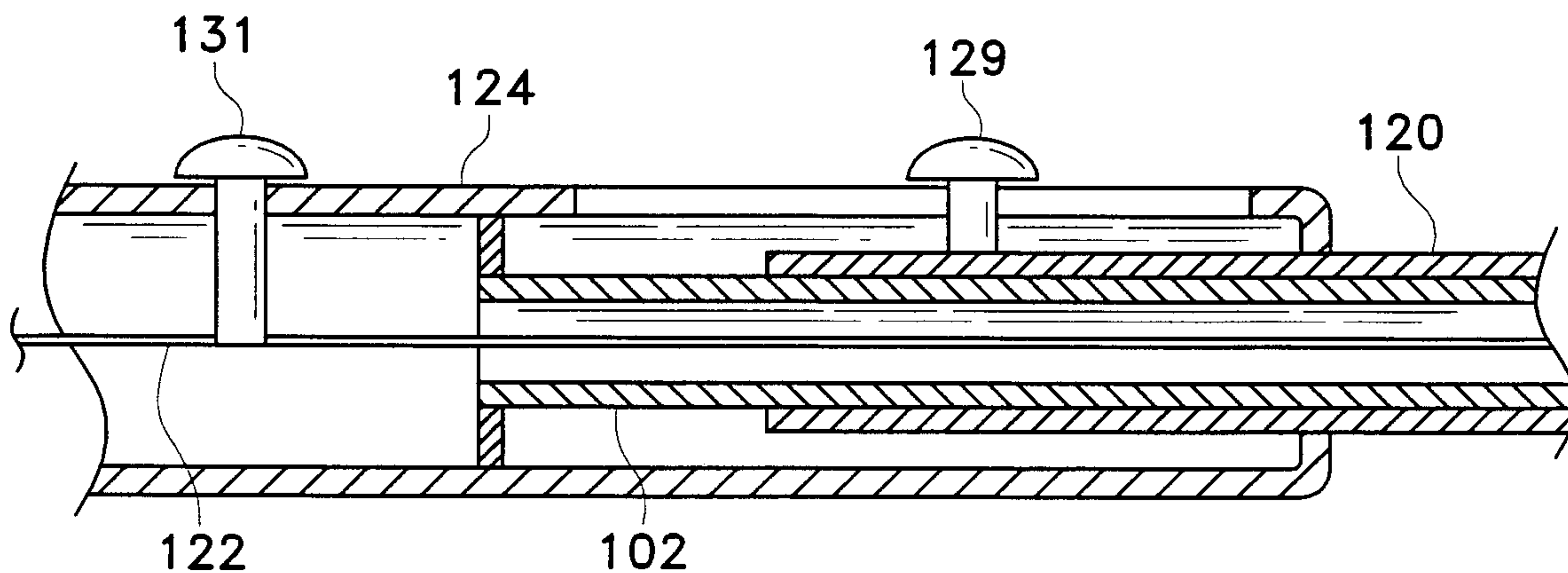


FIG. 5H

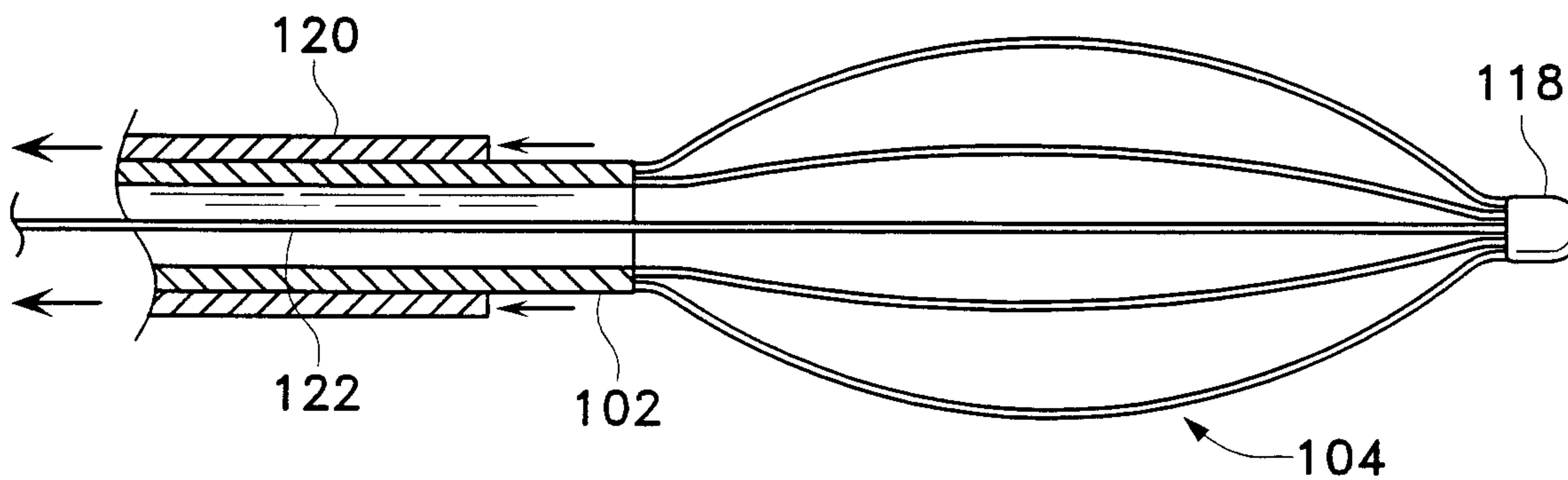


FIG. 5I

7/19

FIG. 5J

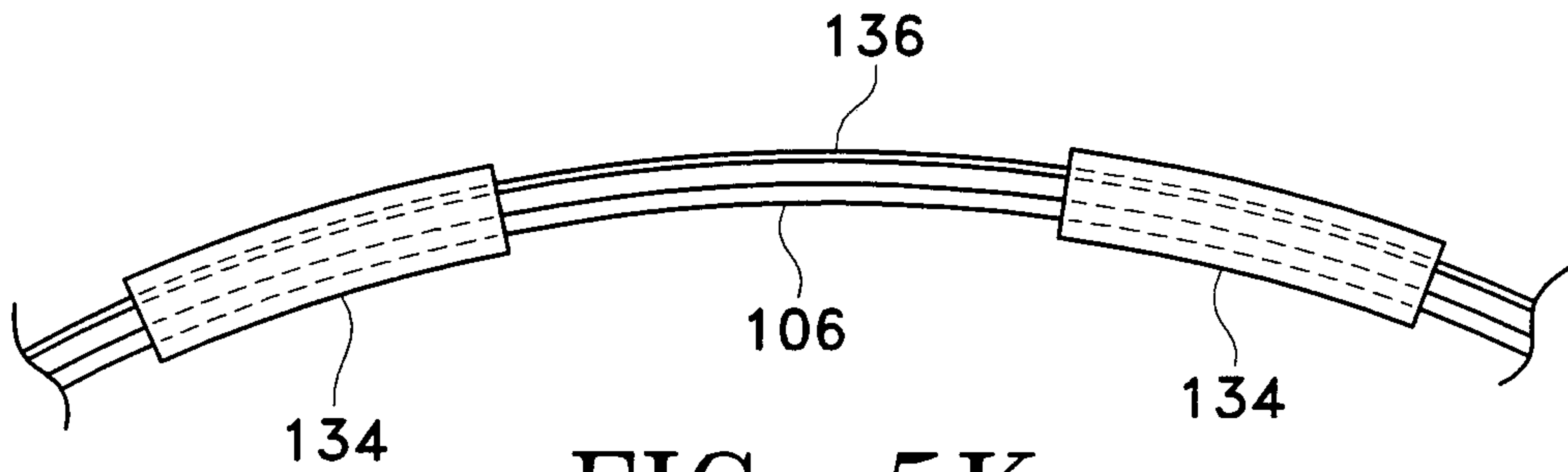
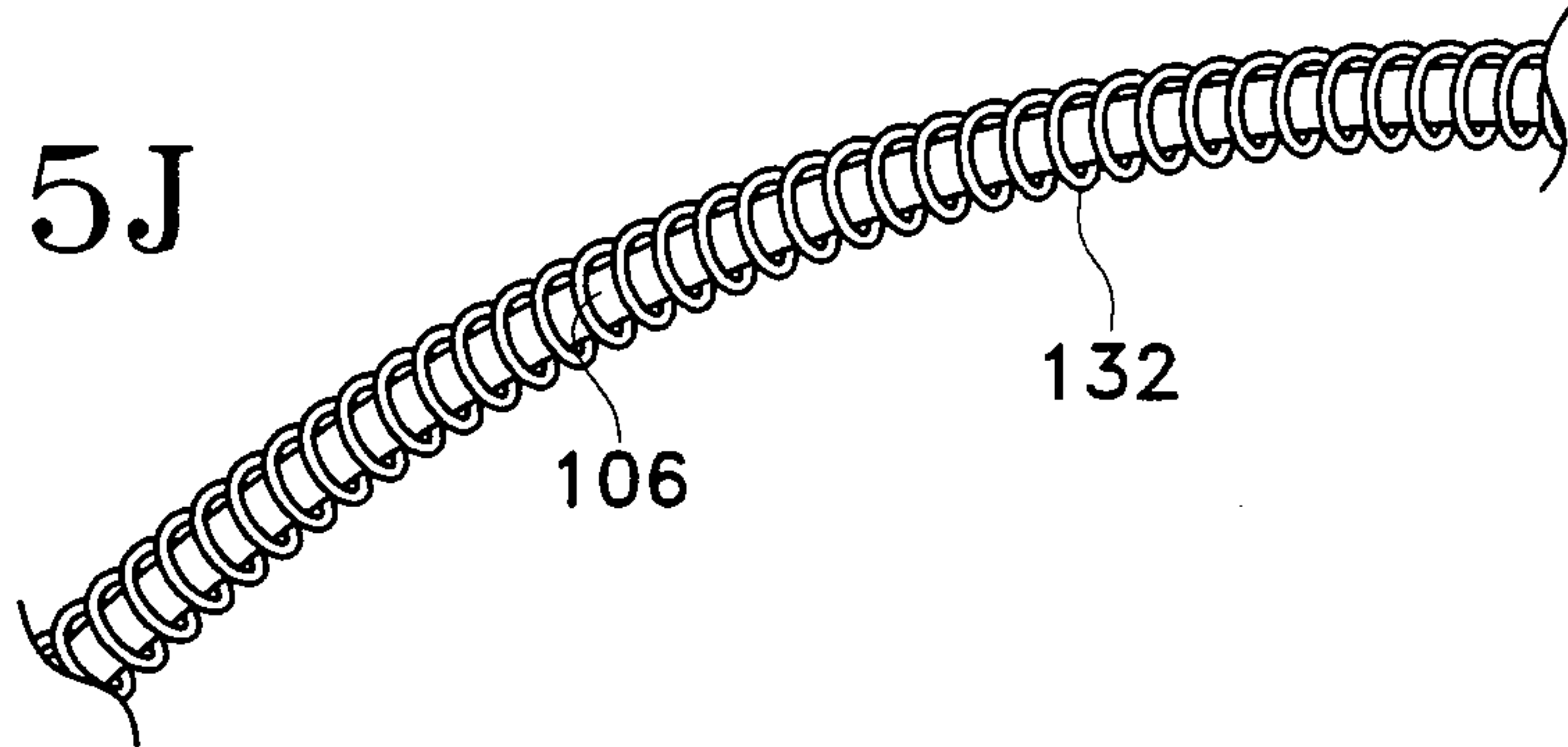


FIG. 5K

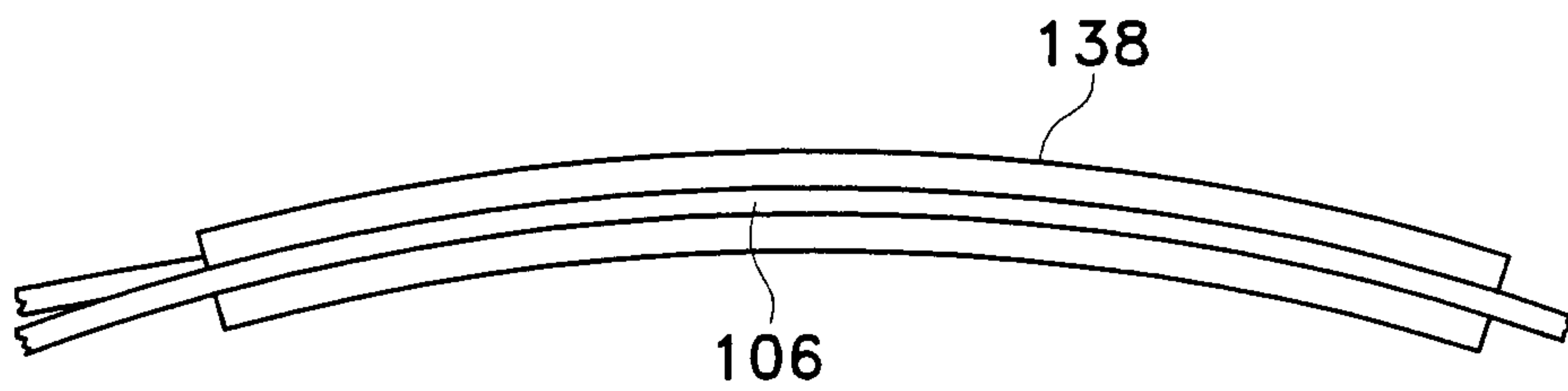


FIG. 5L

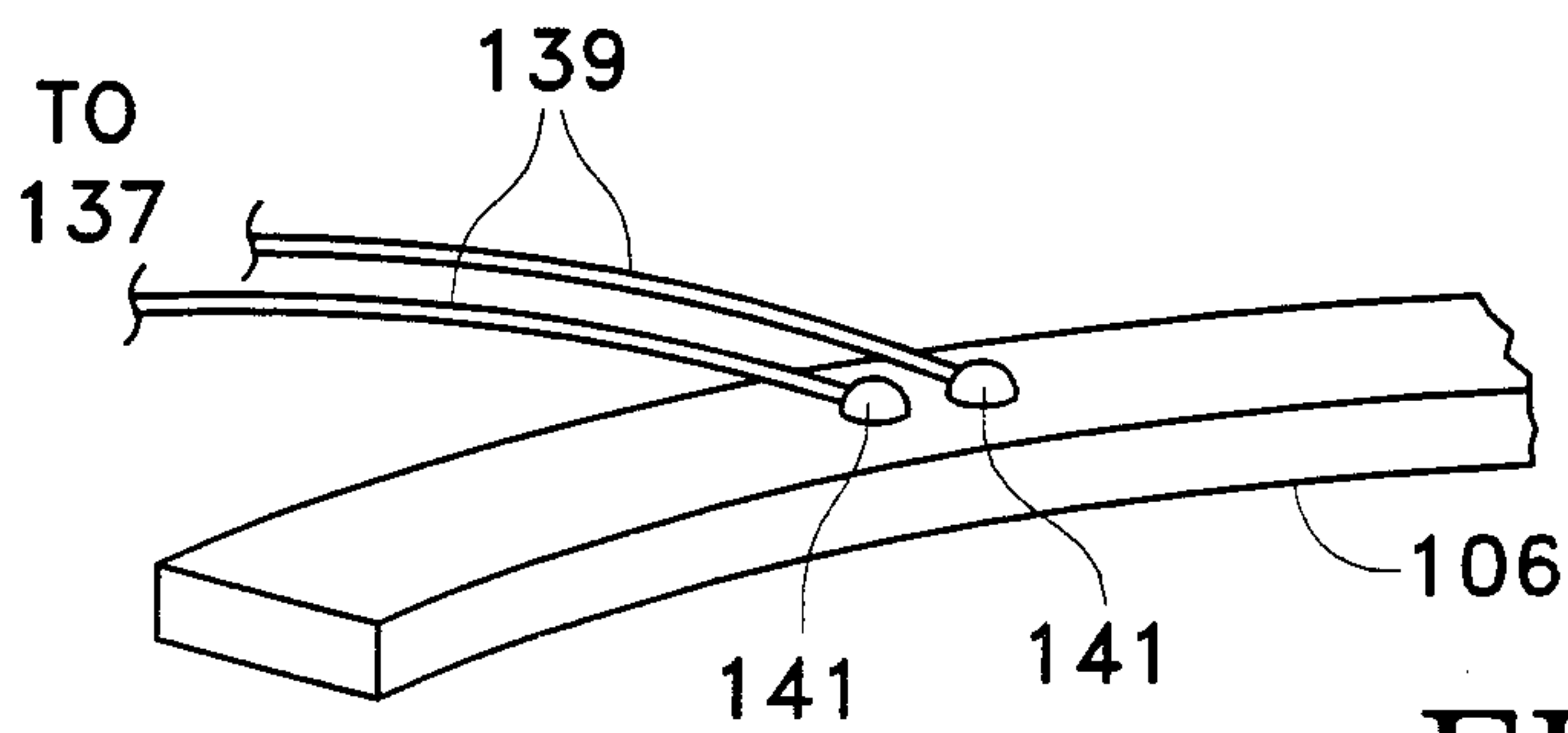


FIG. 5M

8/19

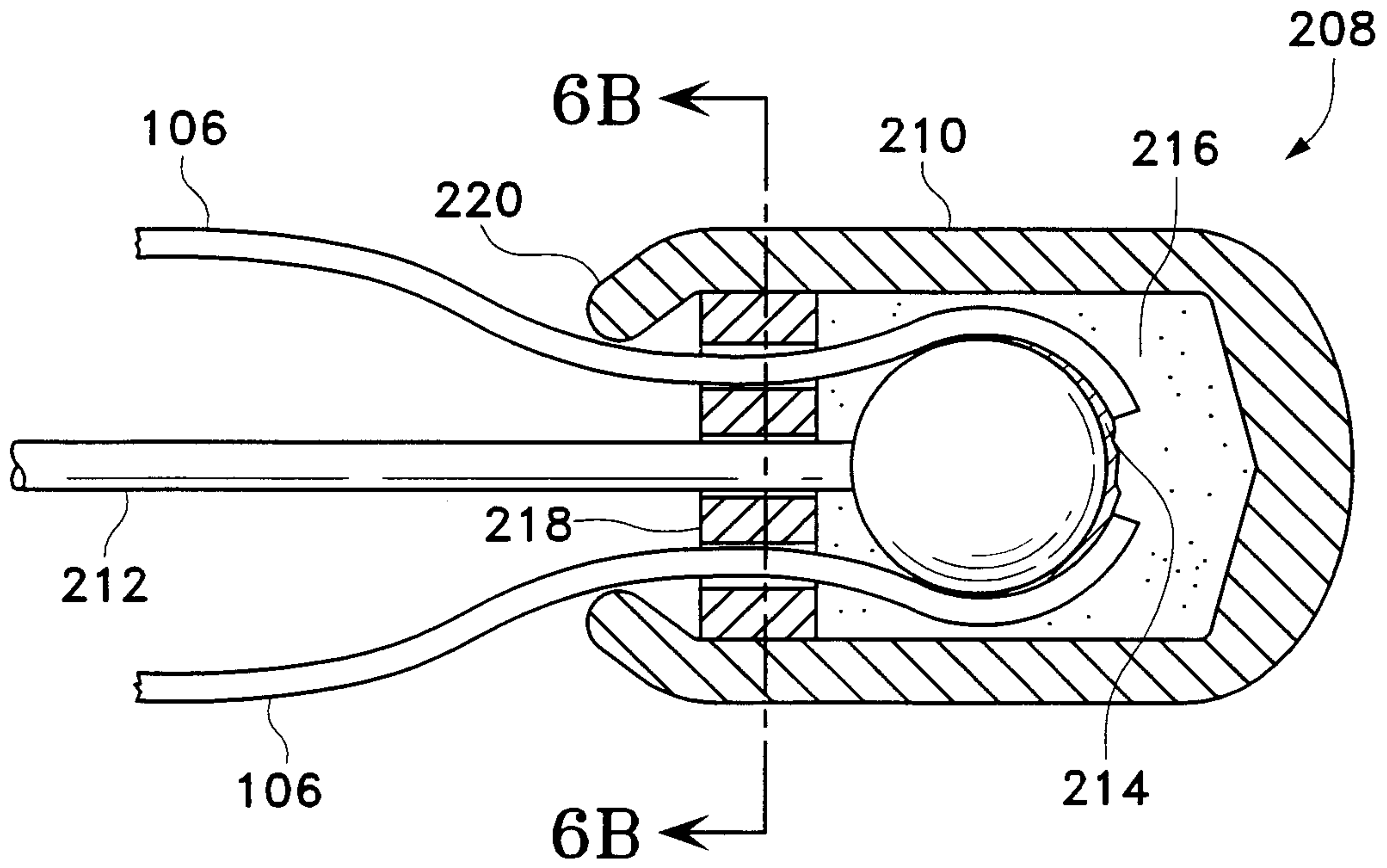


FIG. 6A

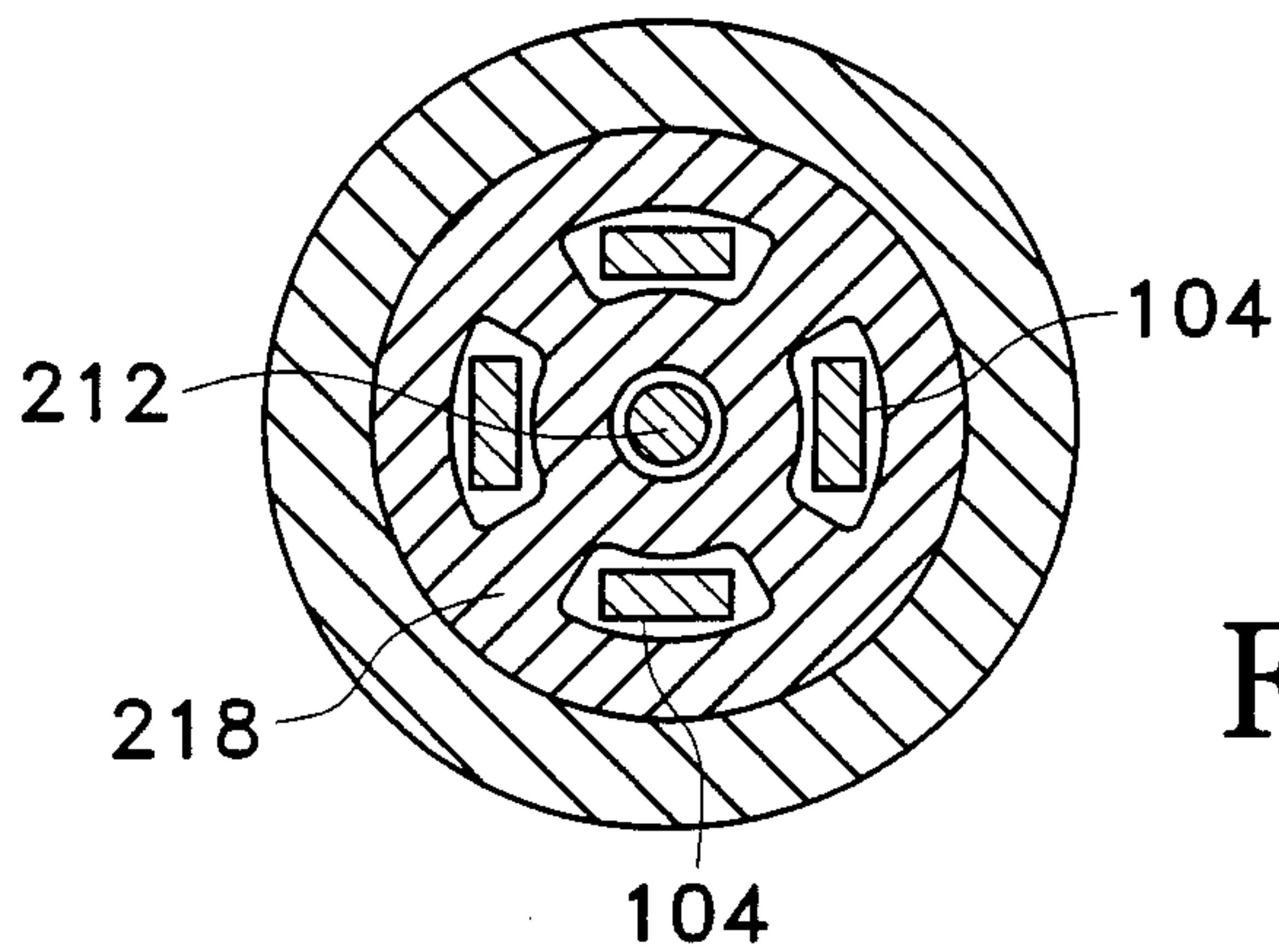
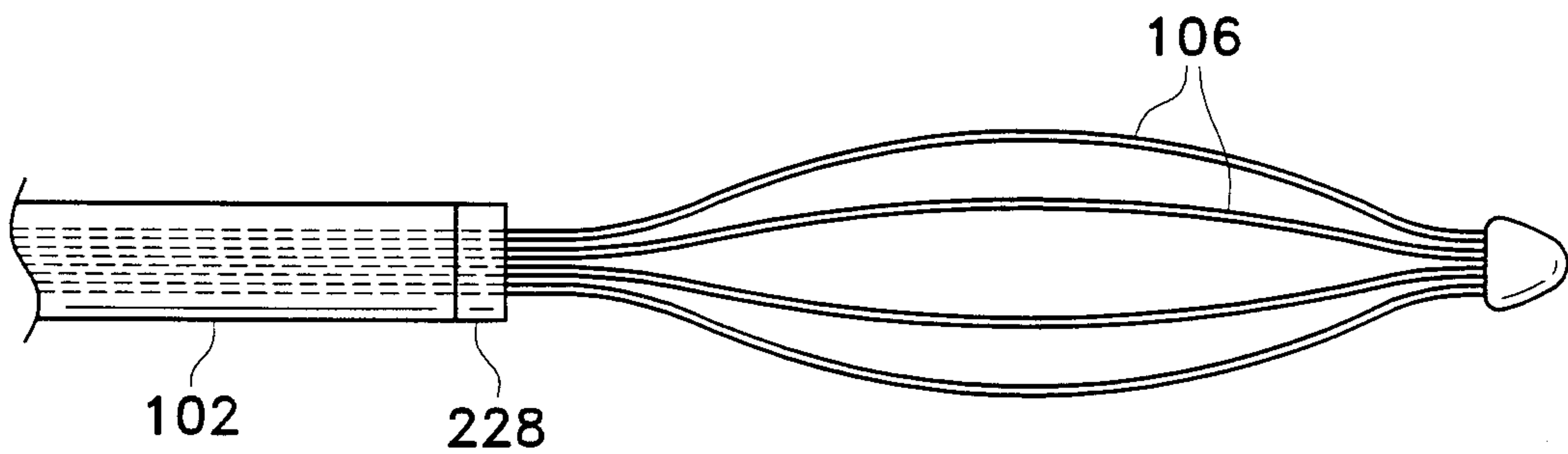
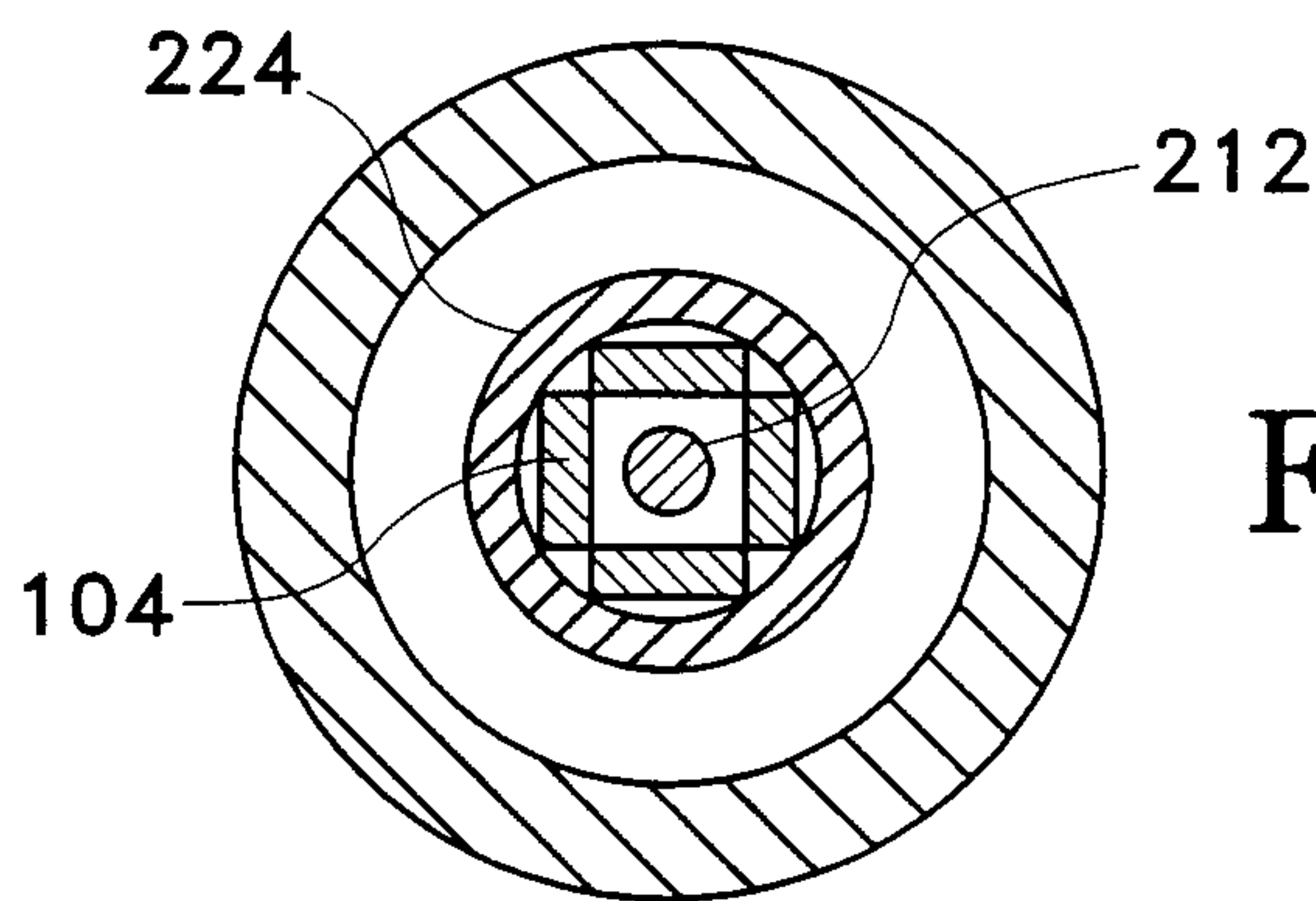
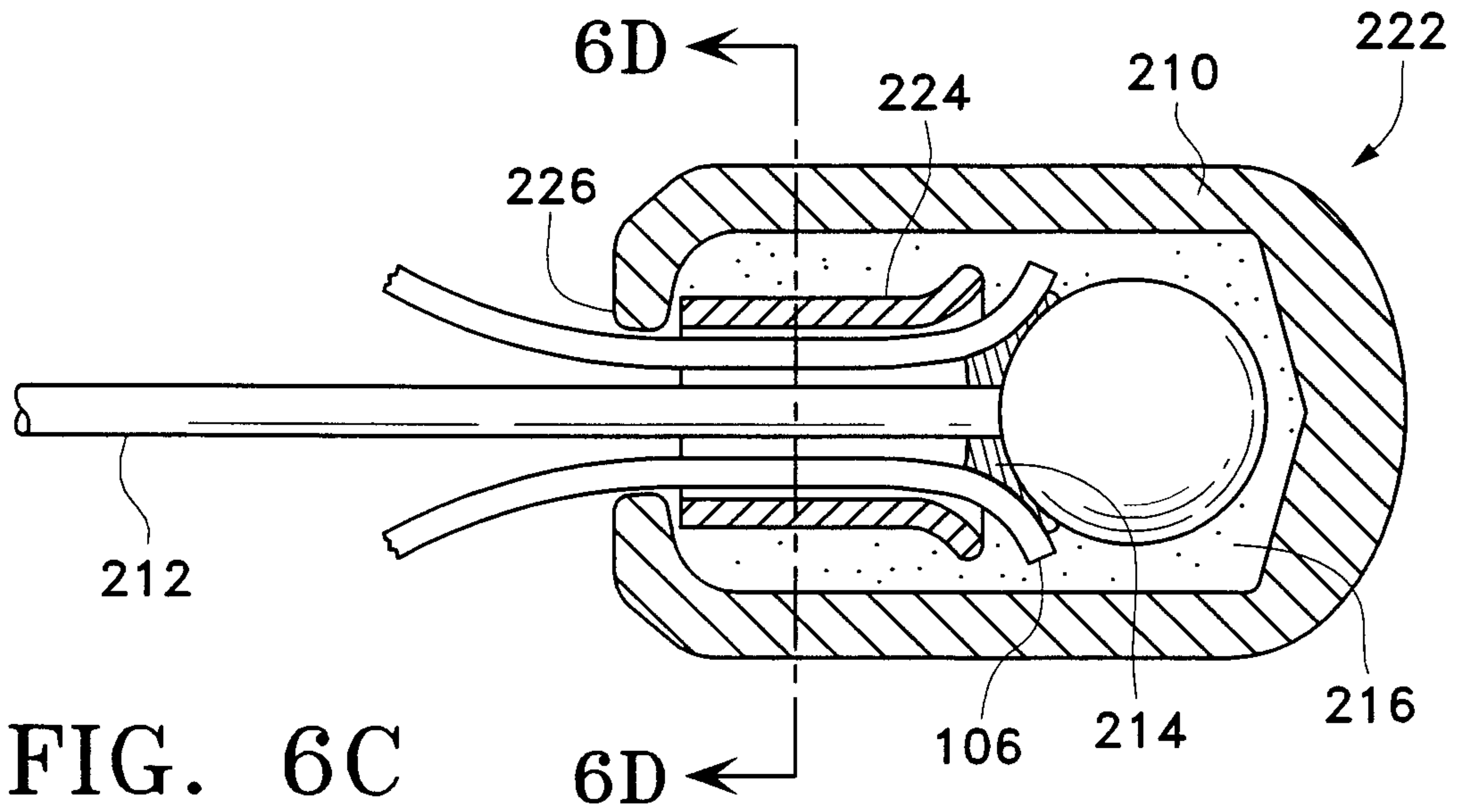


FIG. 6B

9/19



10/19

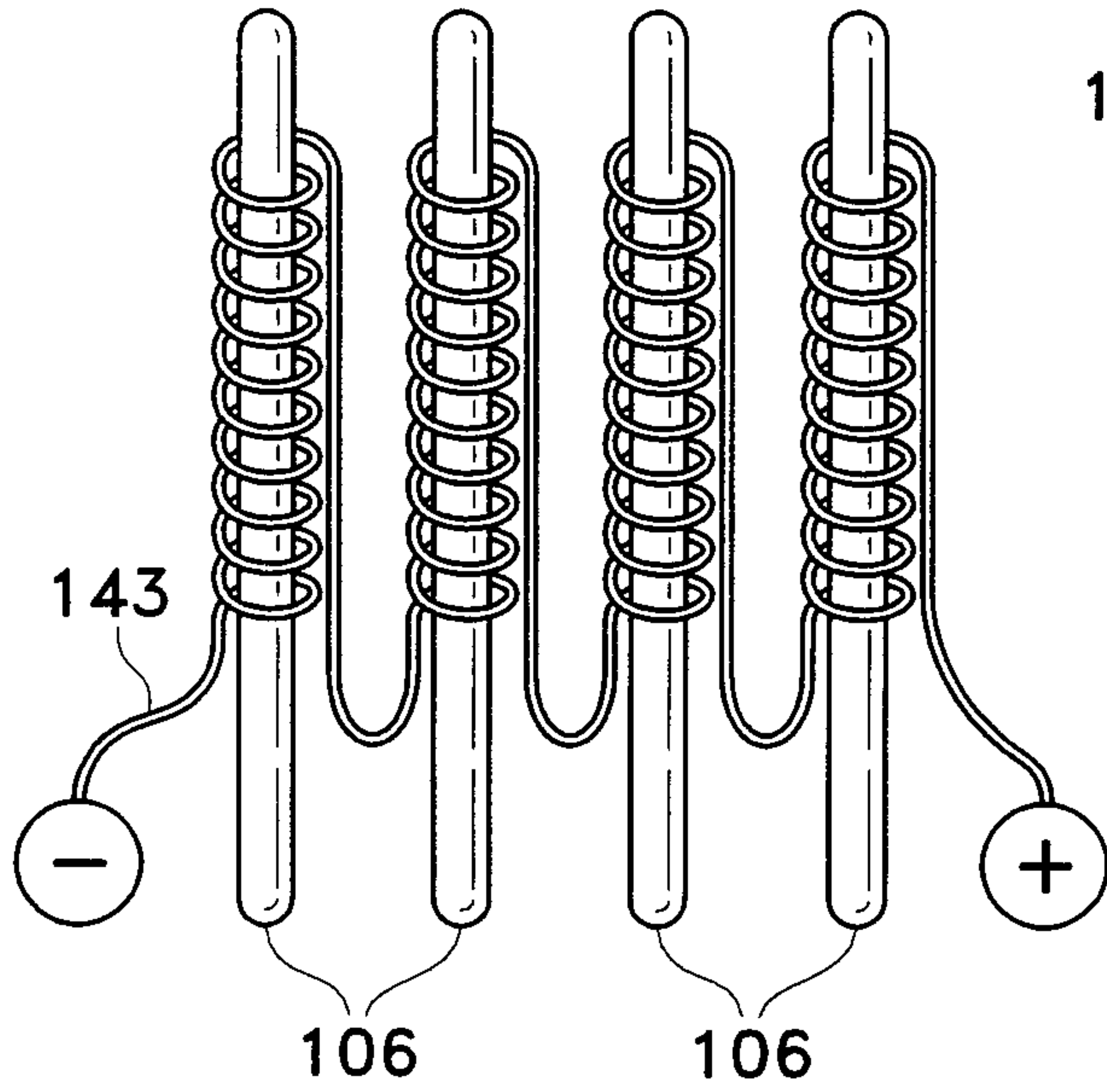
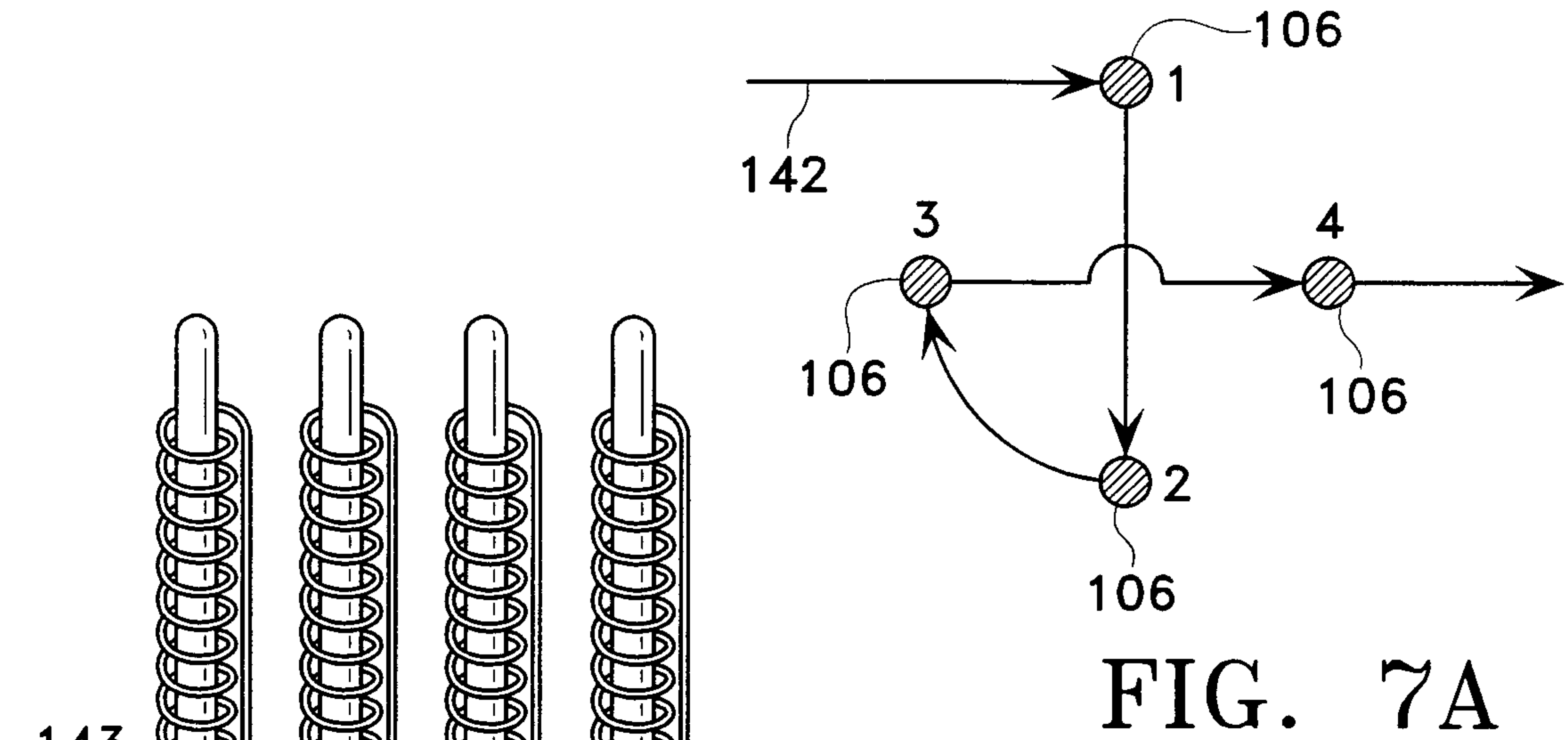


FIG. 7B

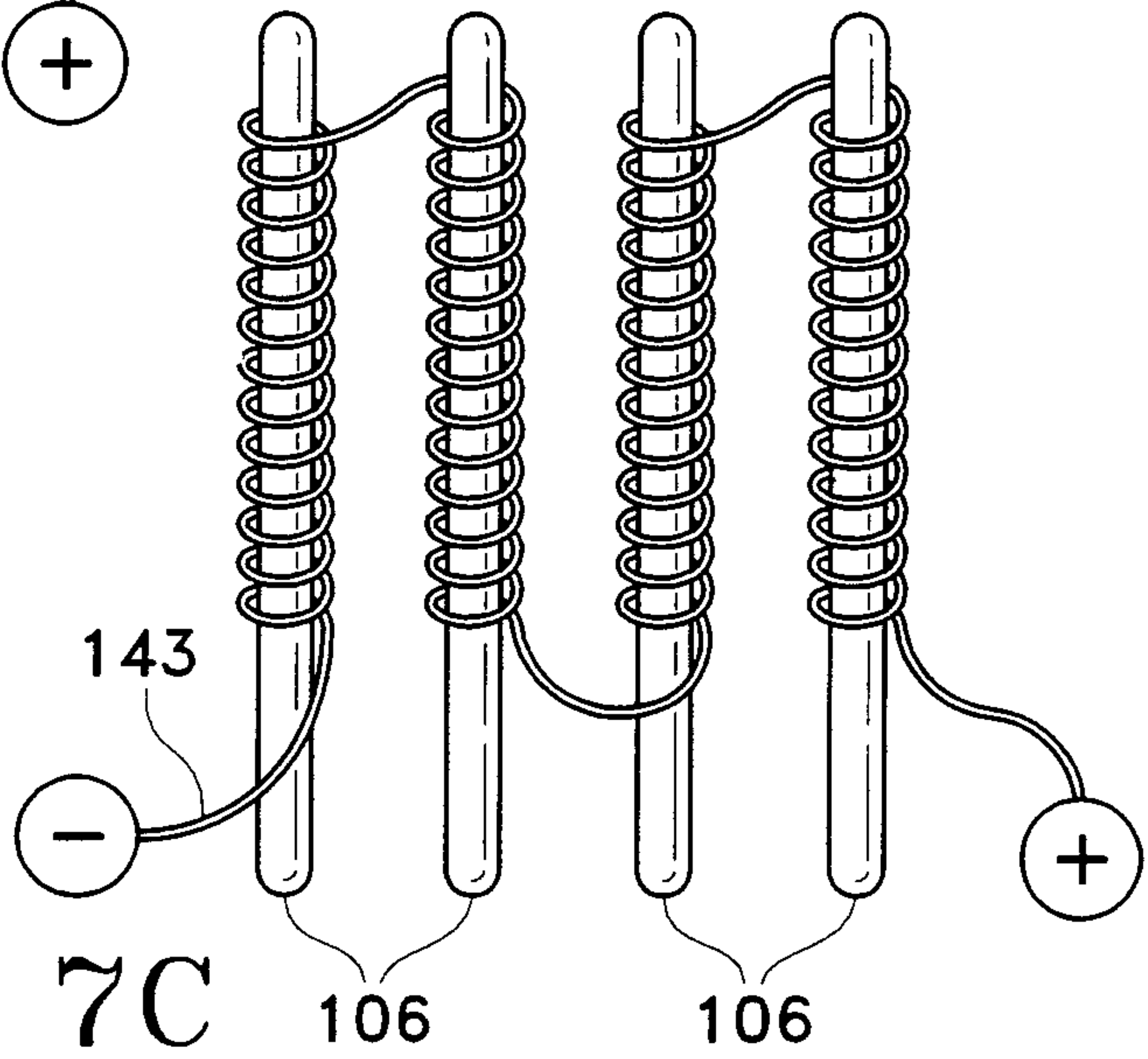
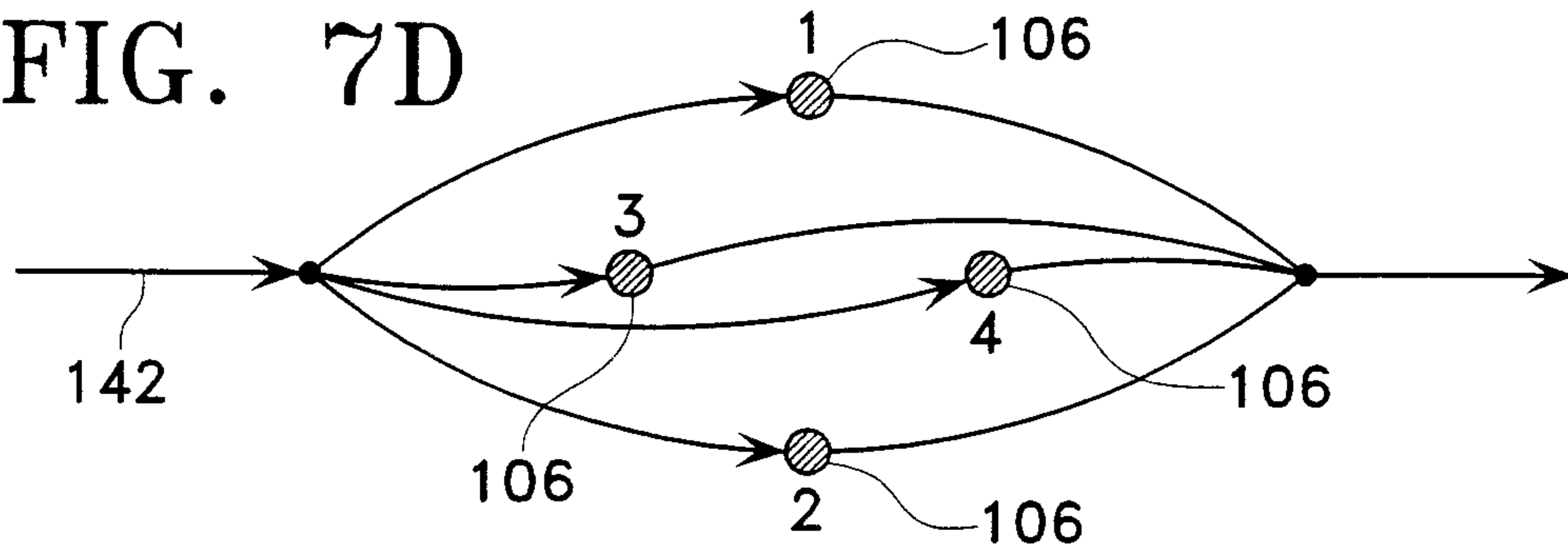


FIG. 7C

FIG. 7D



11/19

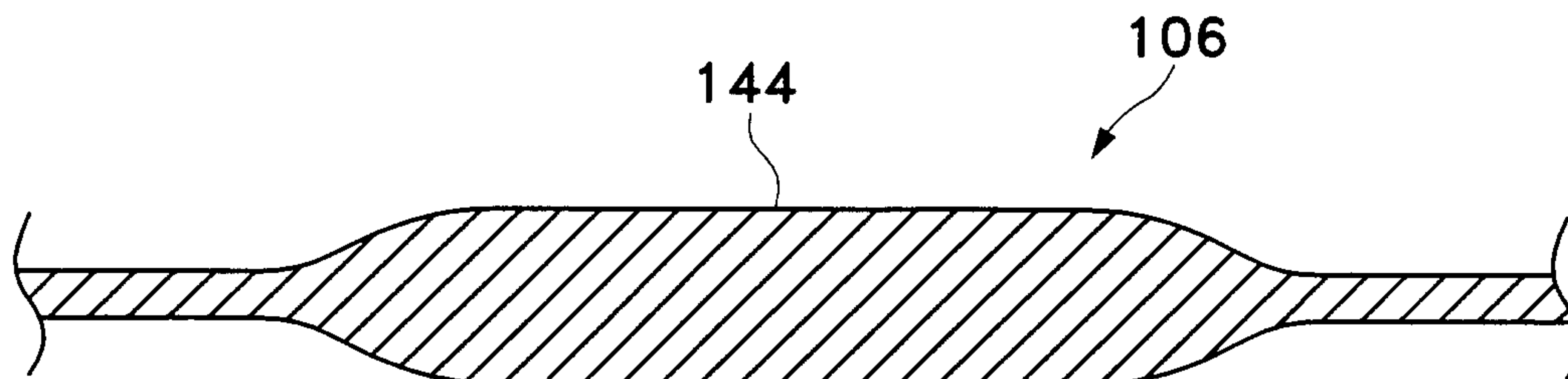


FIG. 8A

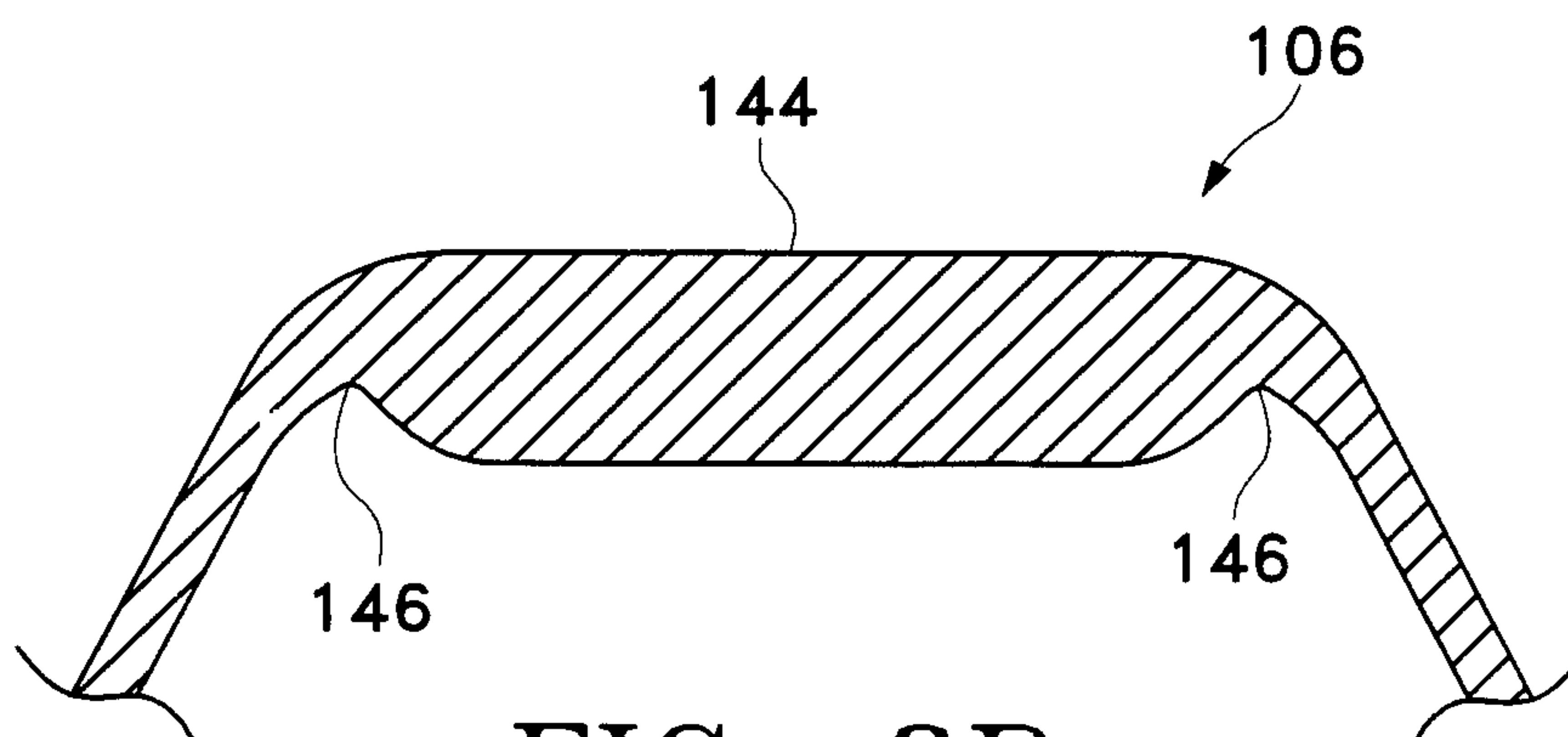


FIG. 8B

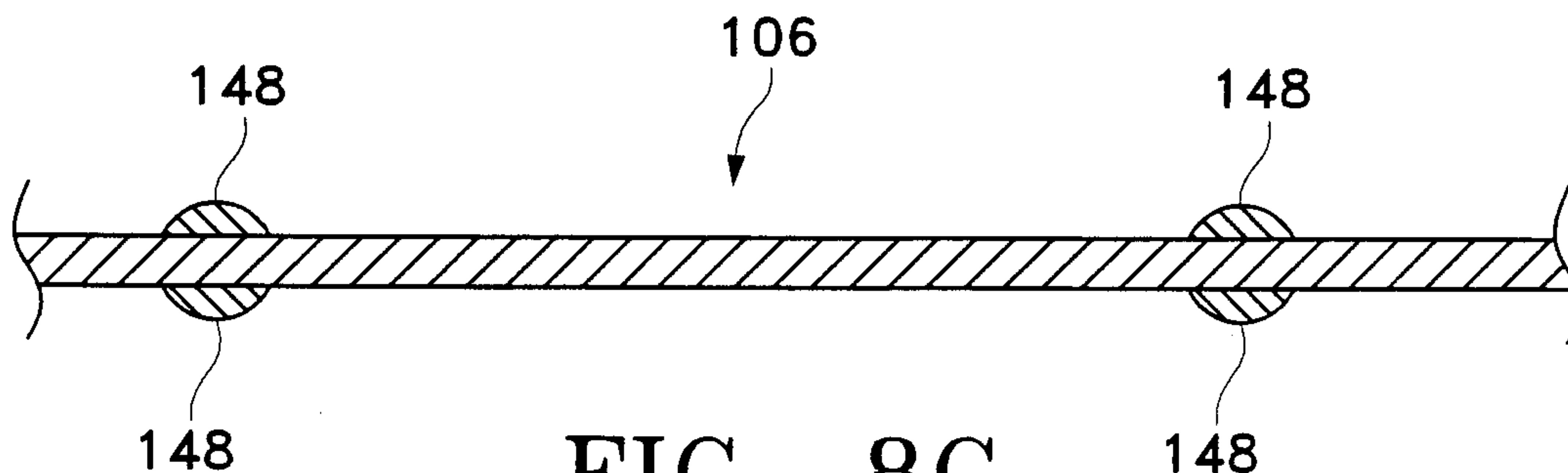


FIG. 8C

12/19

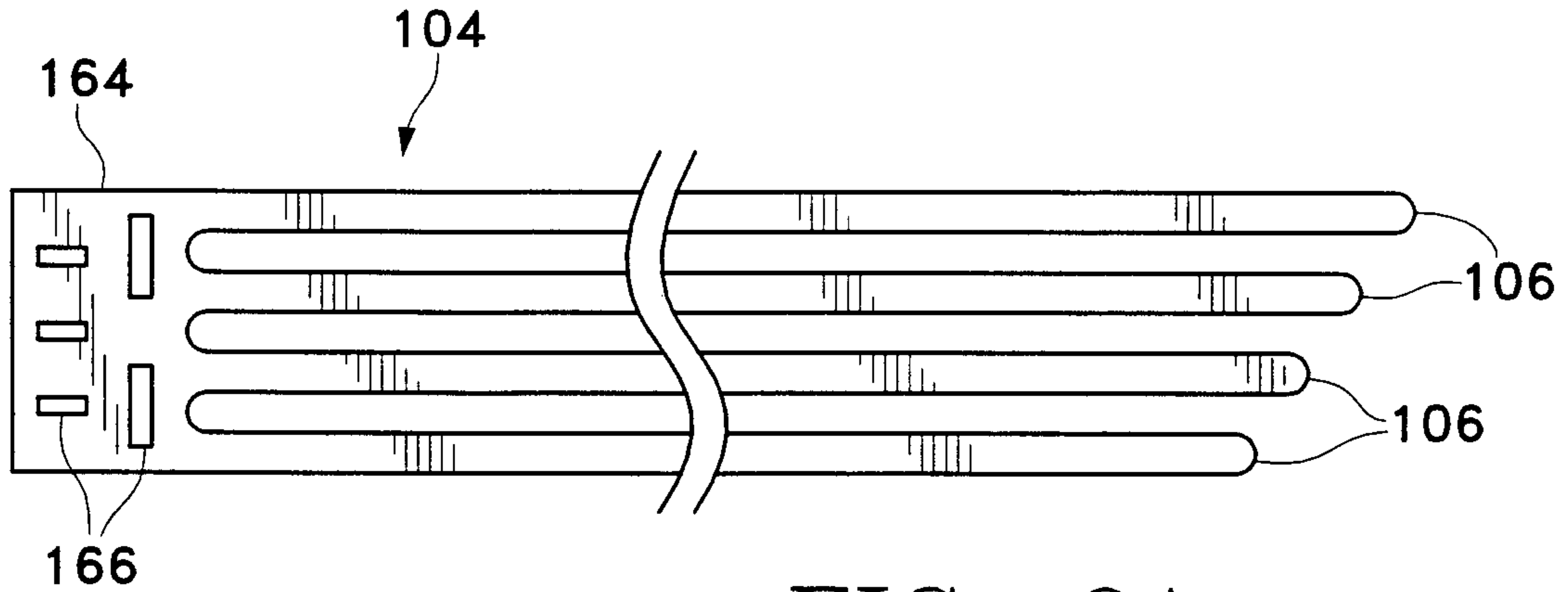


FIG. 9A

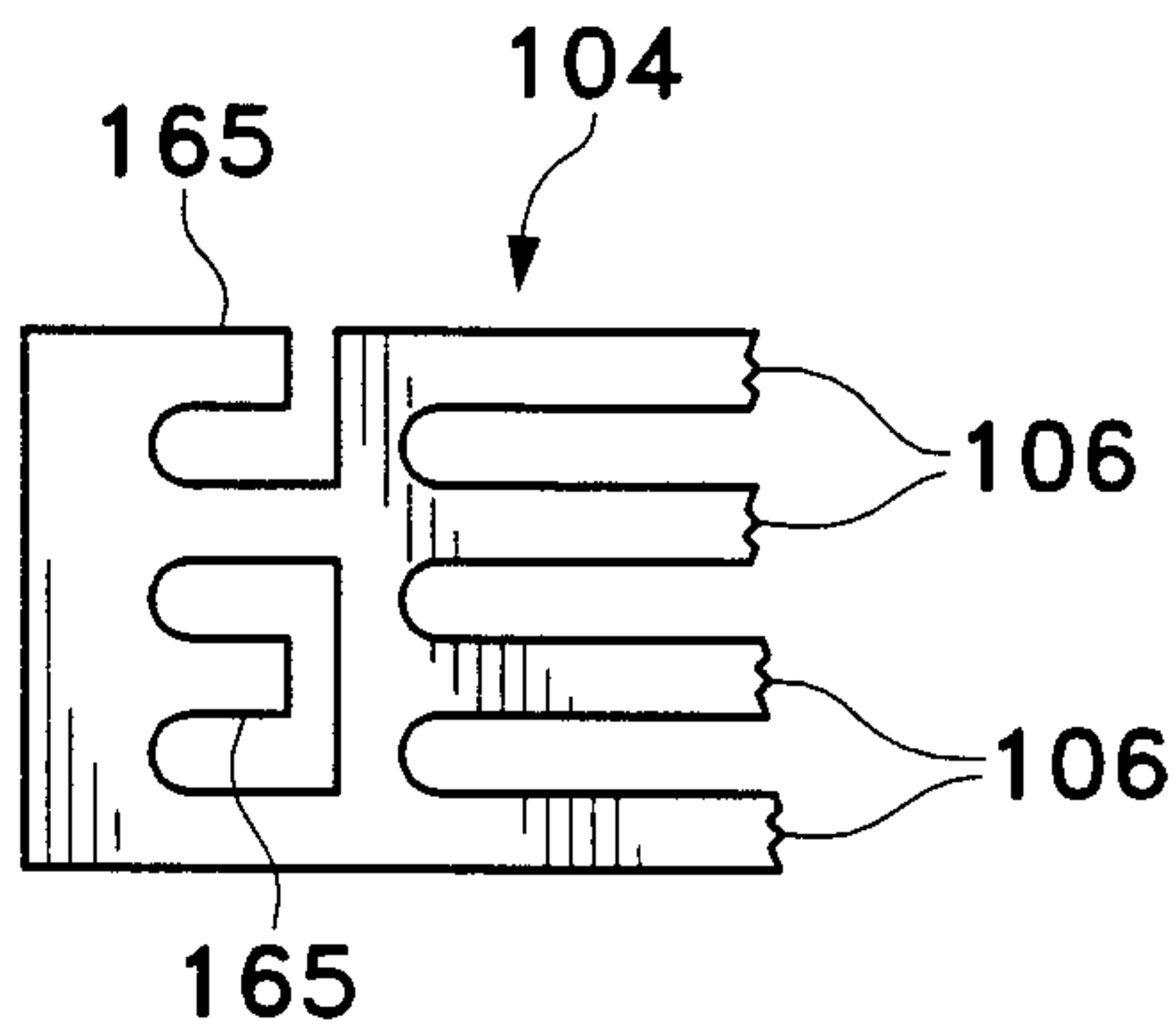


FIG. 9B

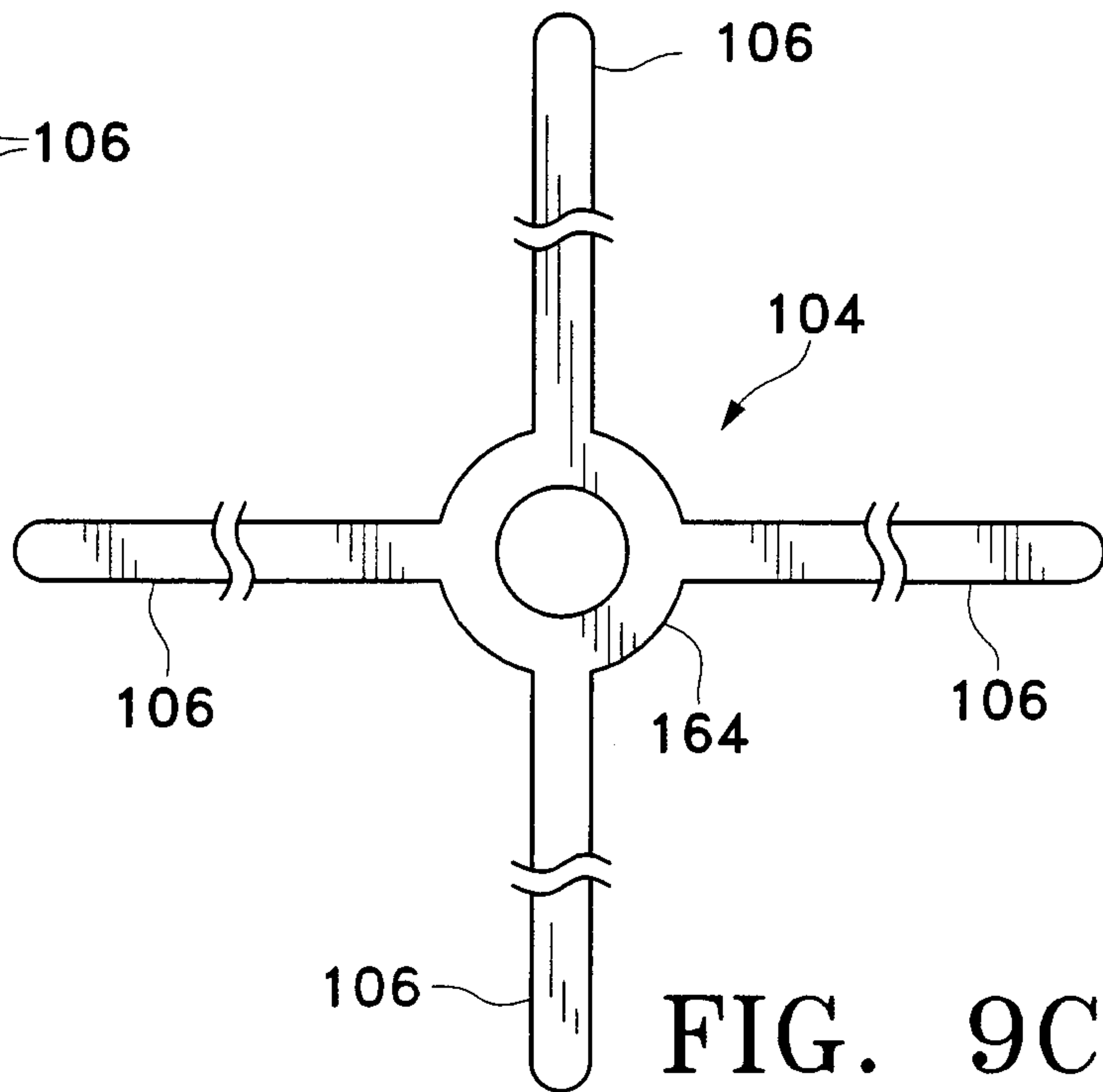


FIG. 9C

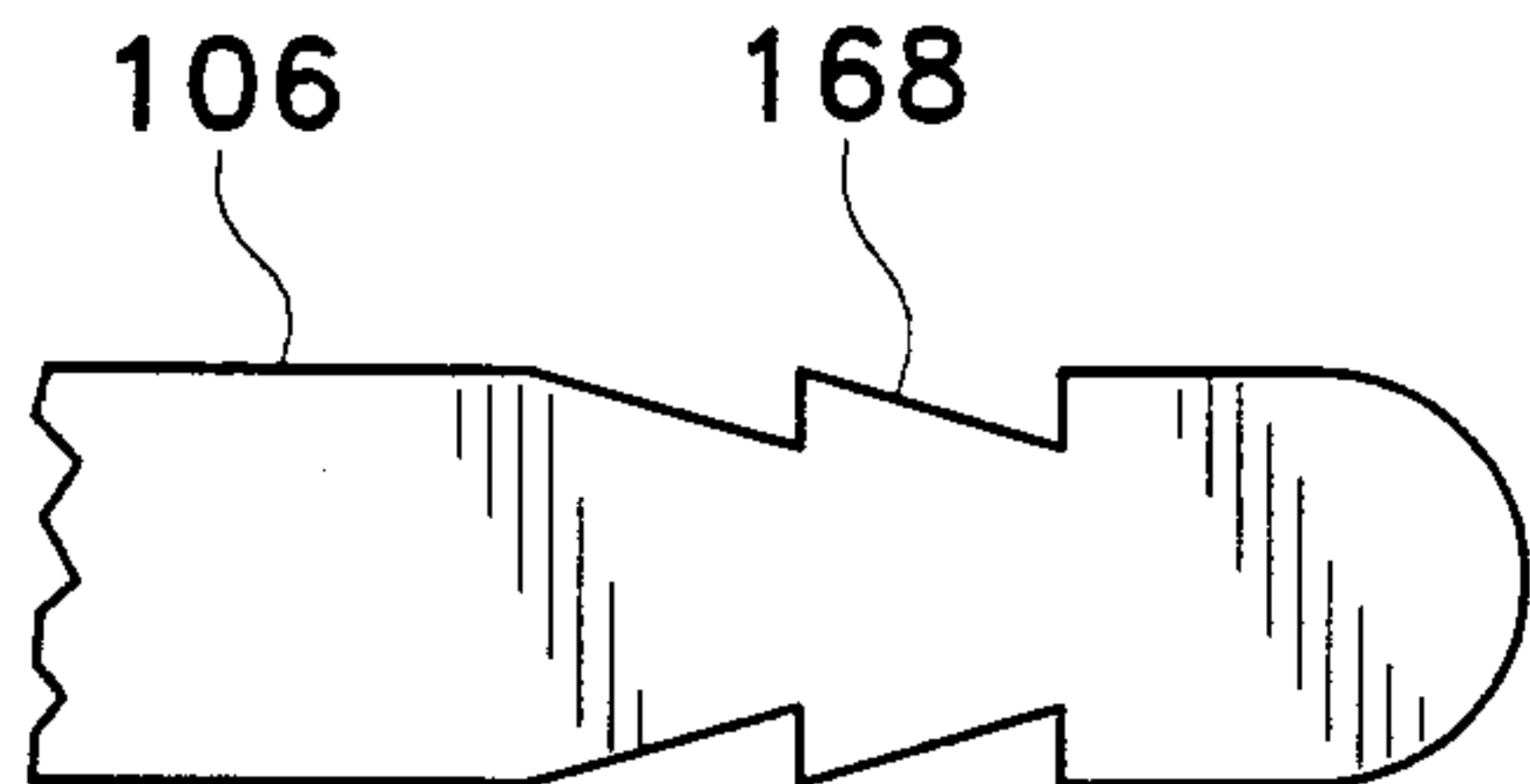


FIG. 9D

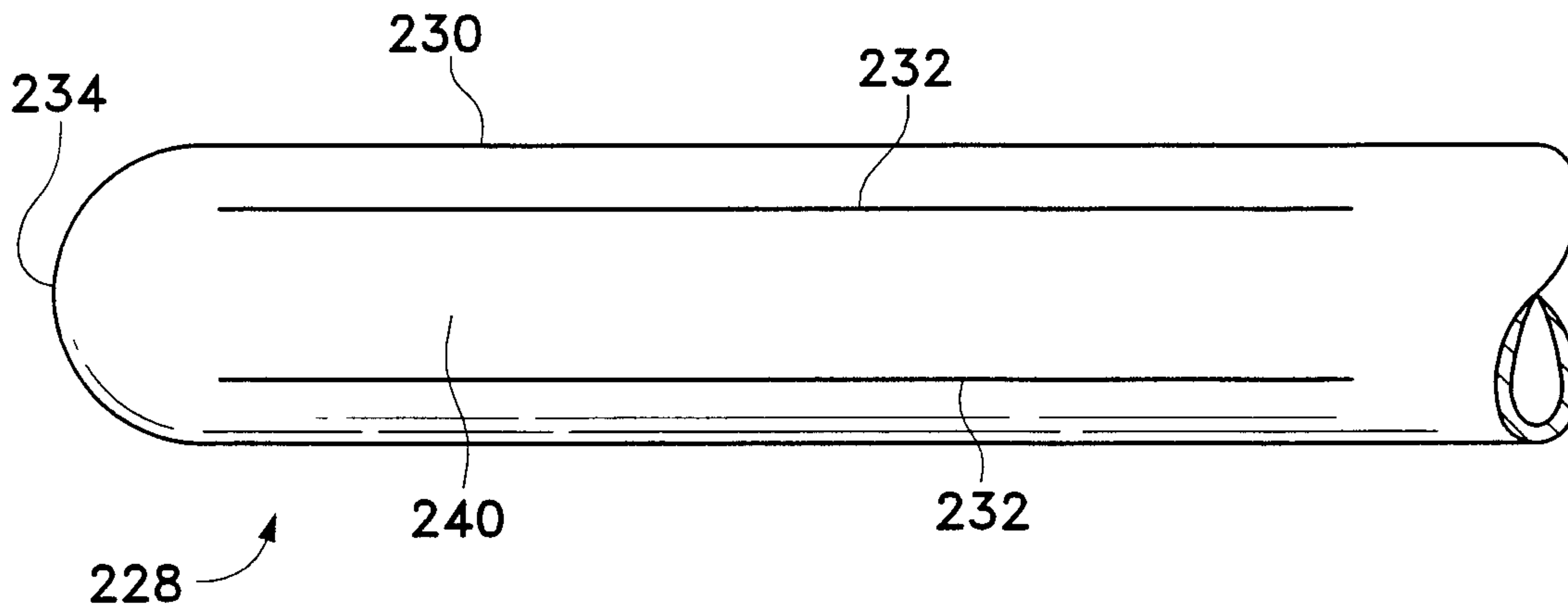


FIG. 9E

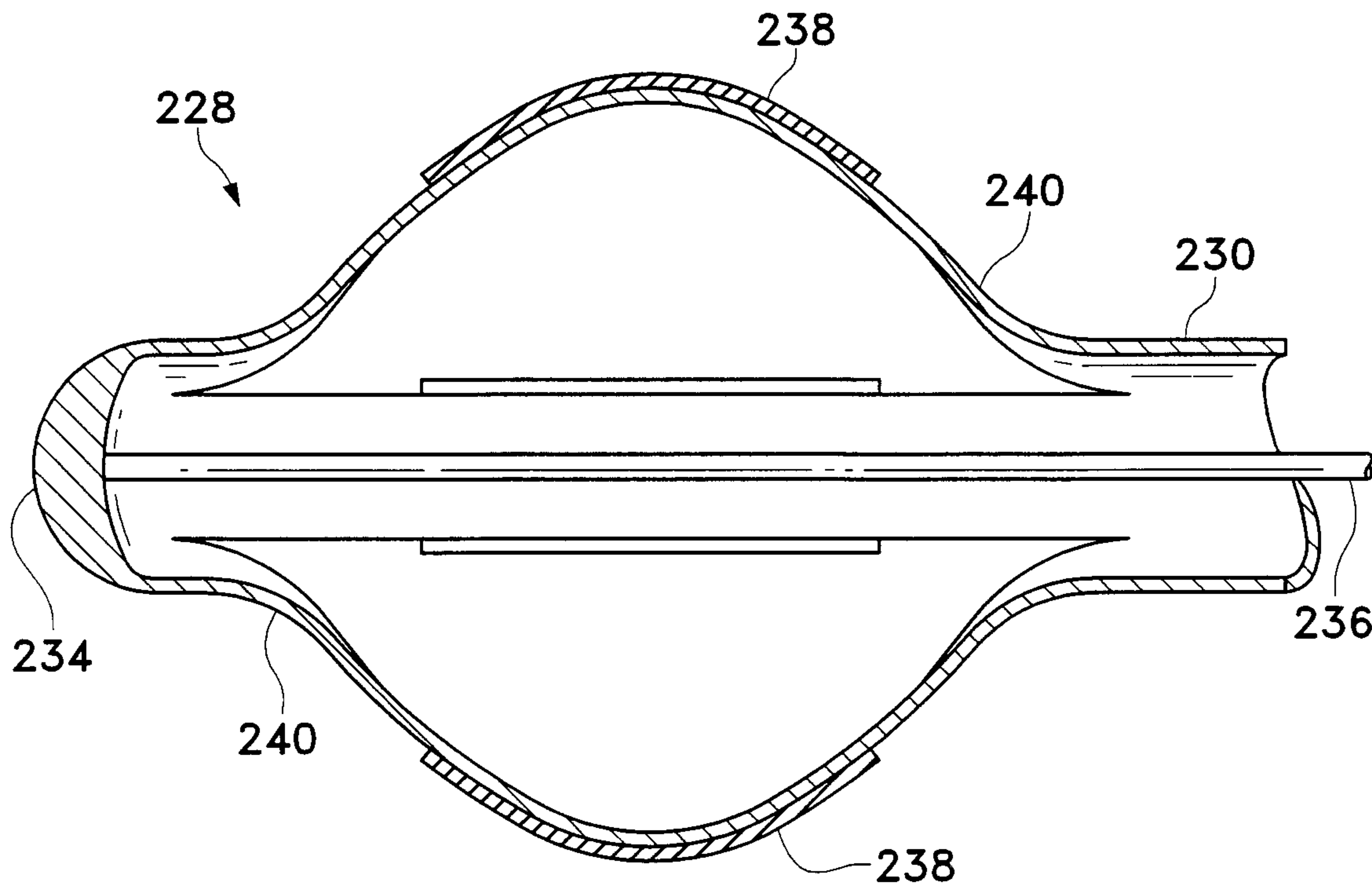


FIG. 9F

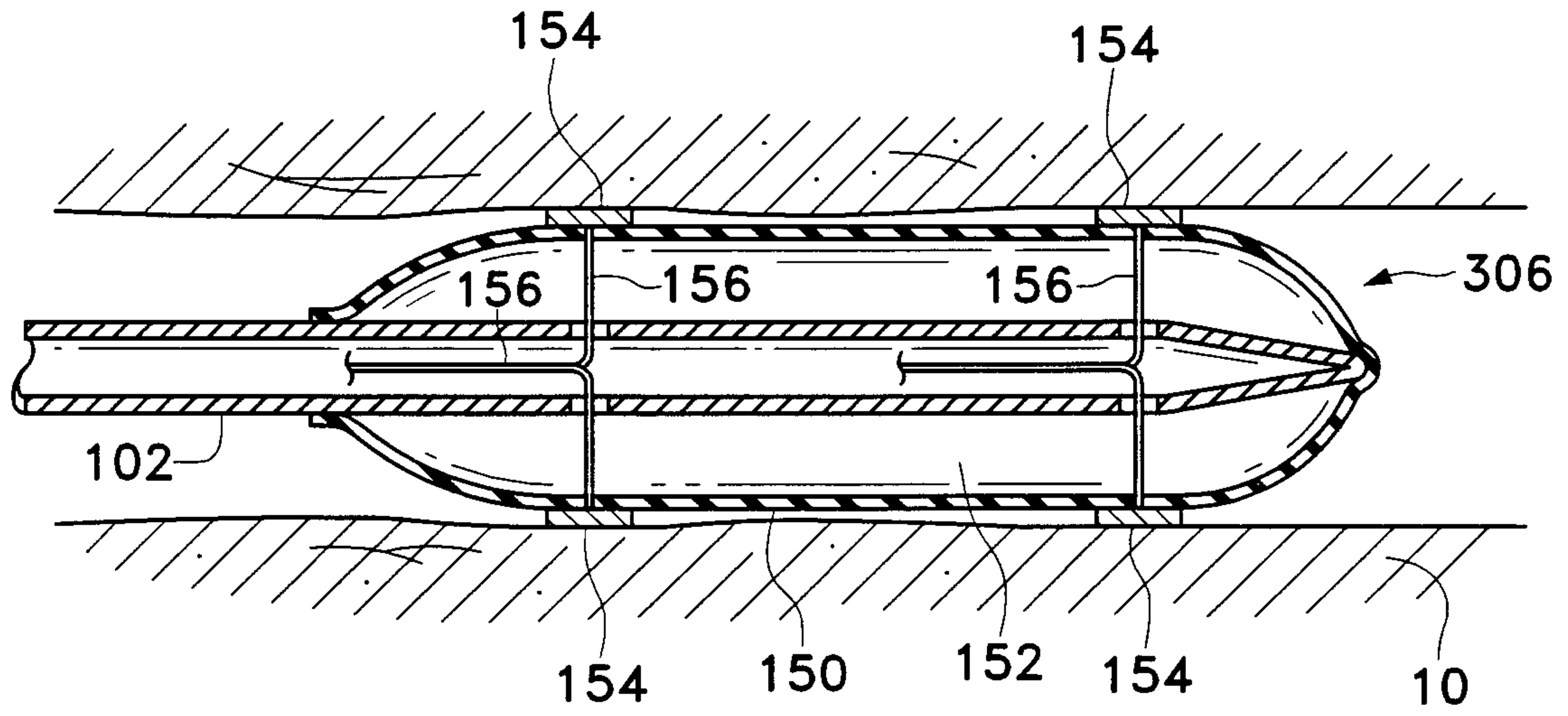


FIG. 10

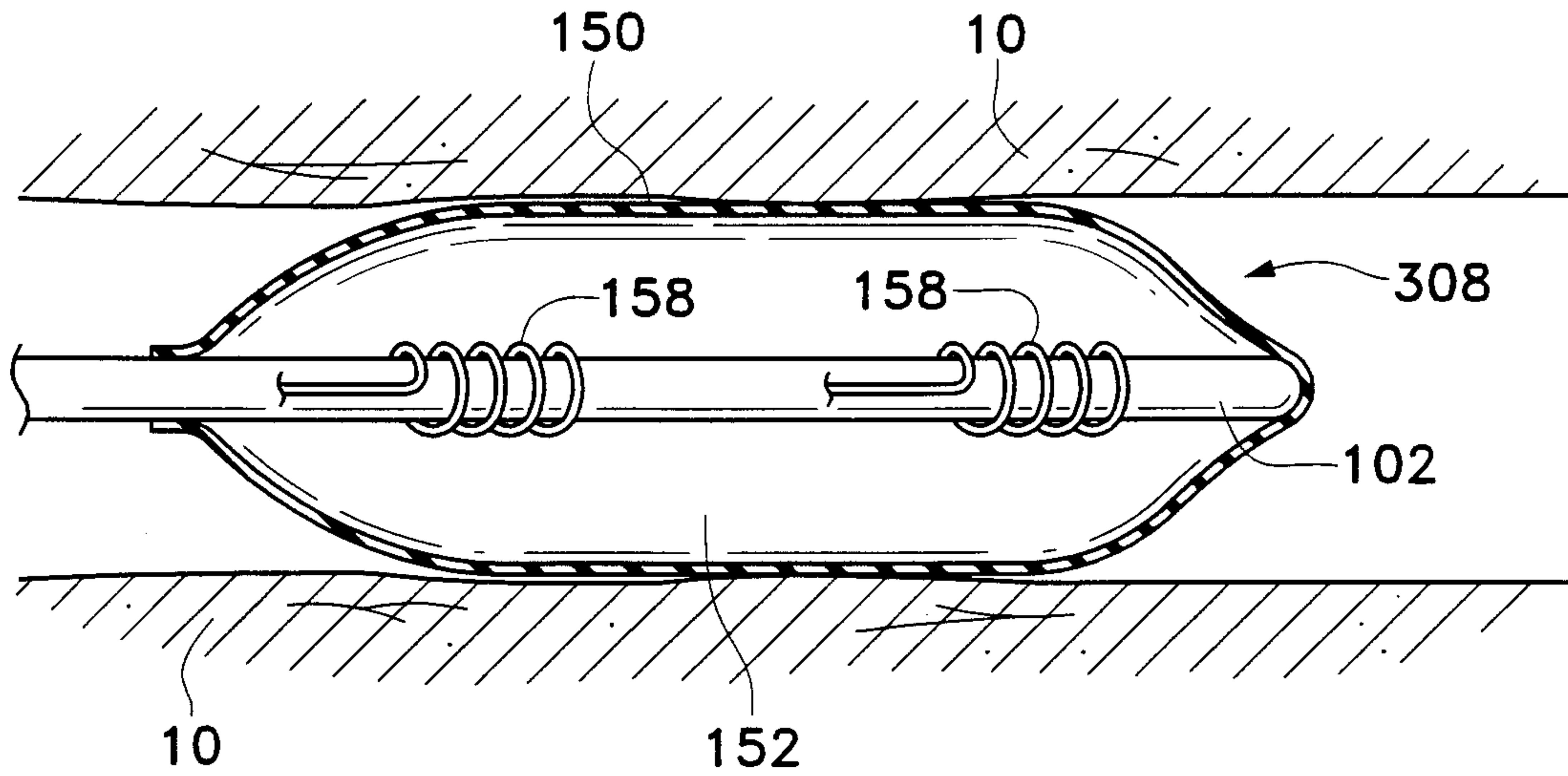


FIG. 11

15/19

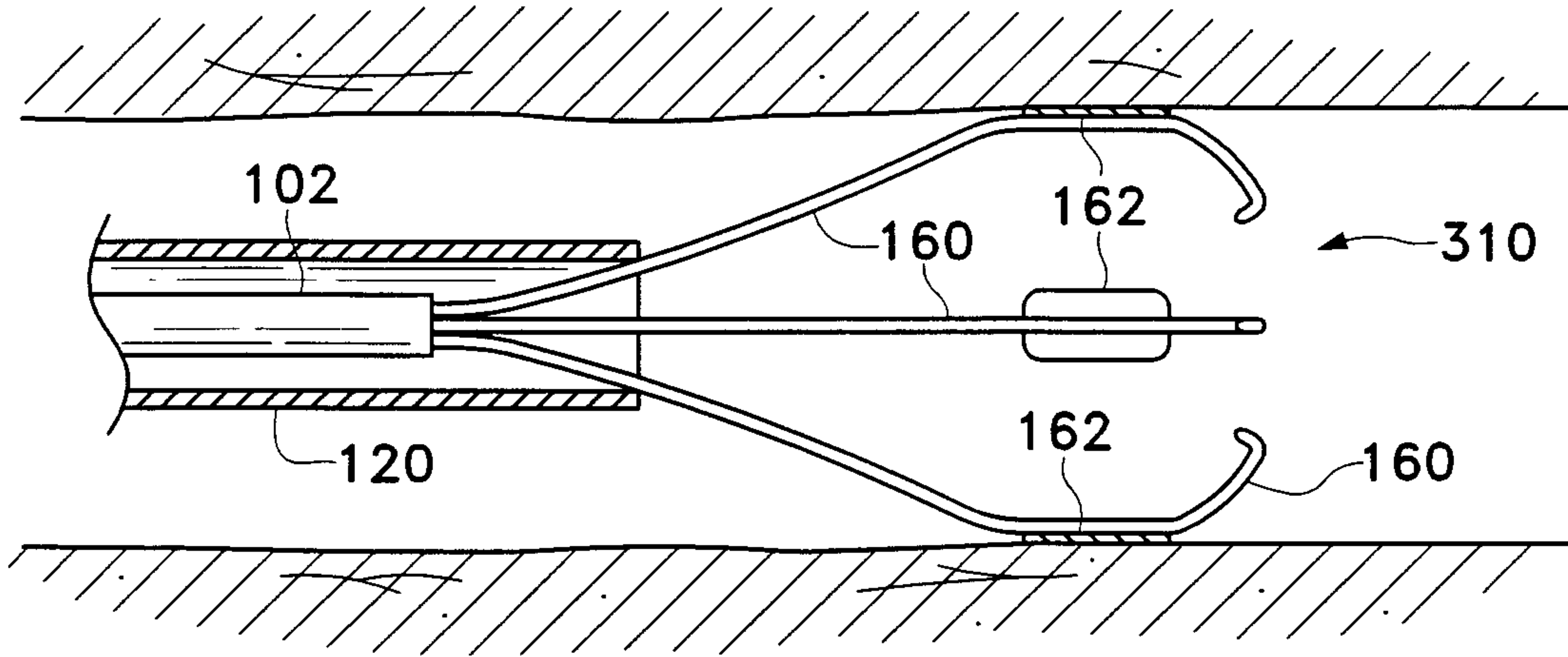


FIG. 12

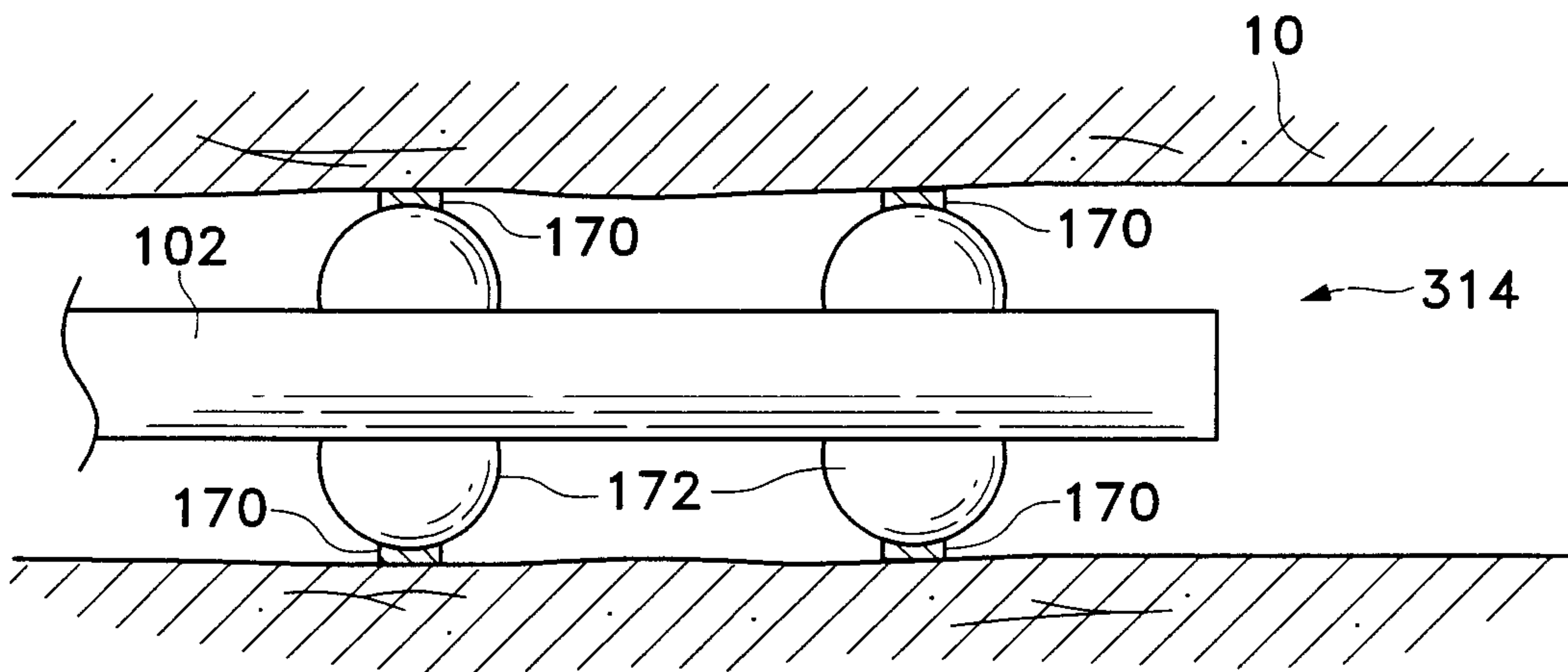


FIG. 13

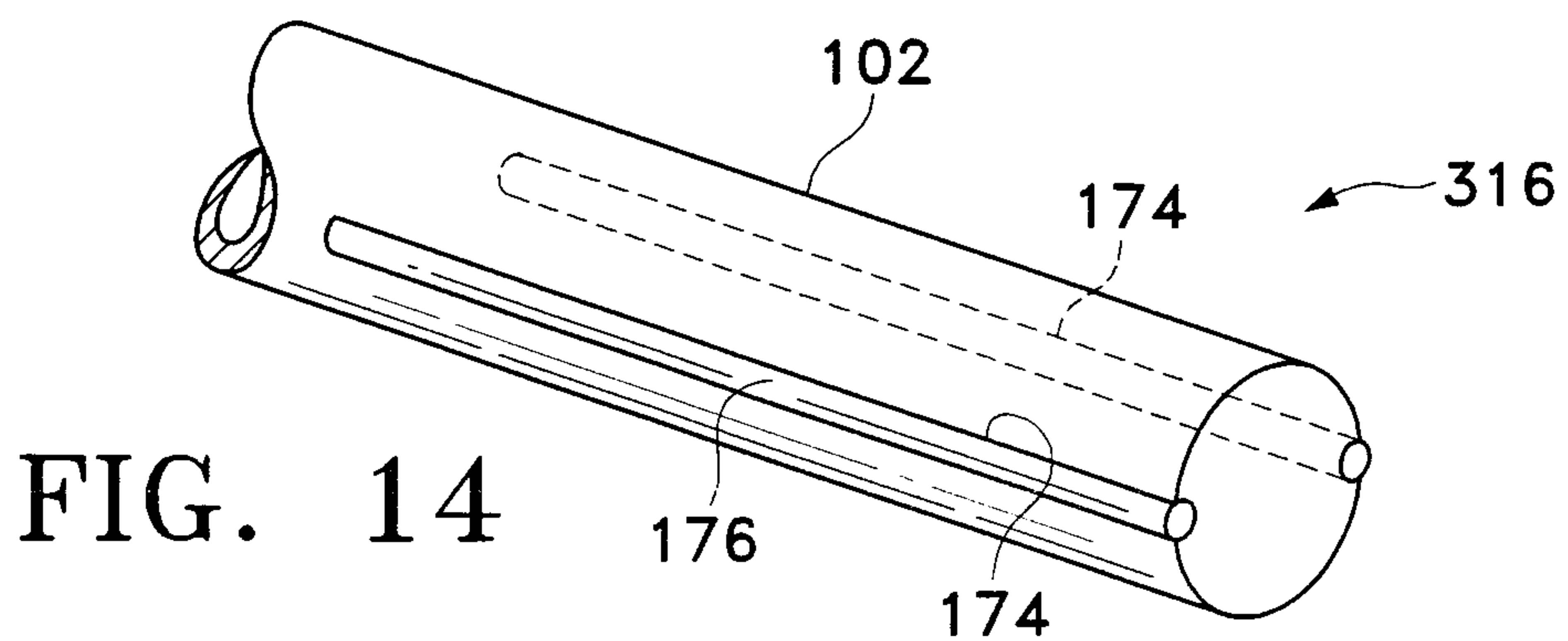


FIG. 14

16/19

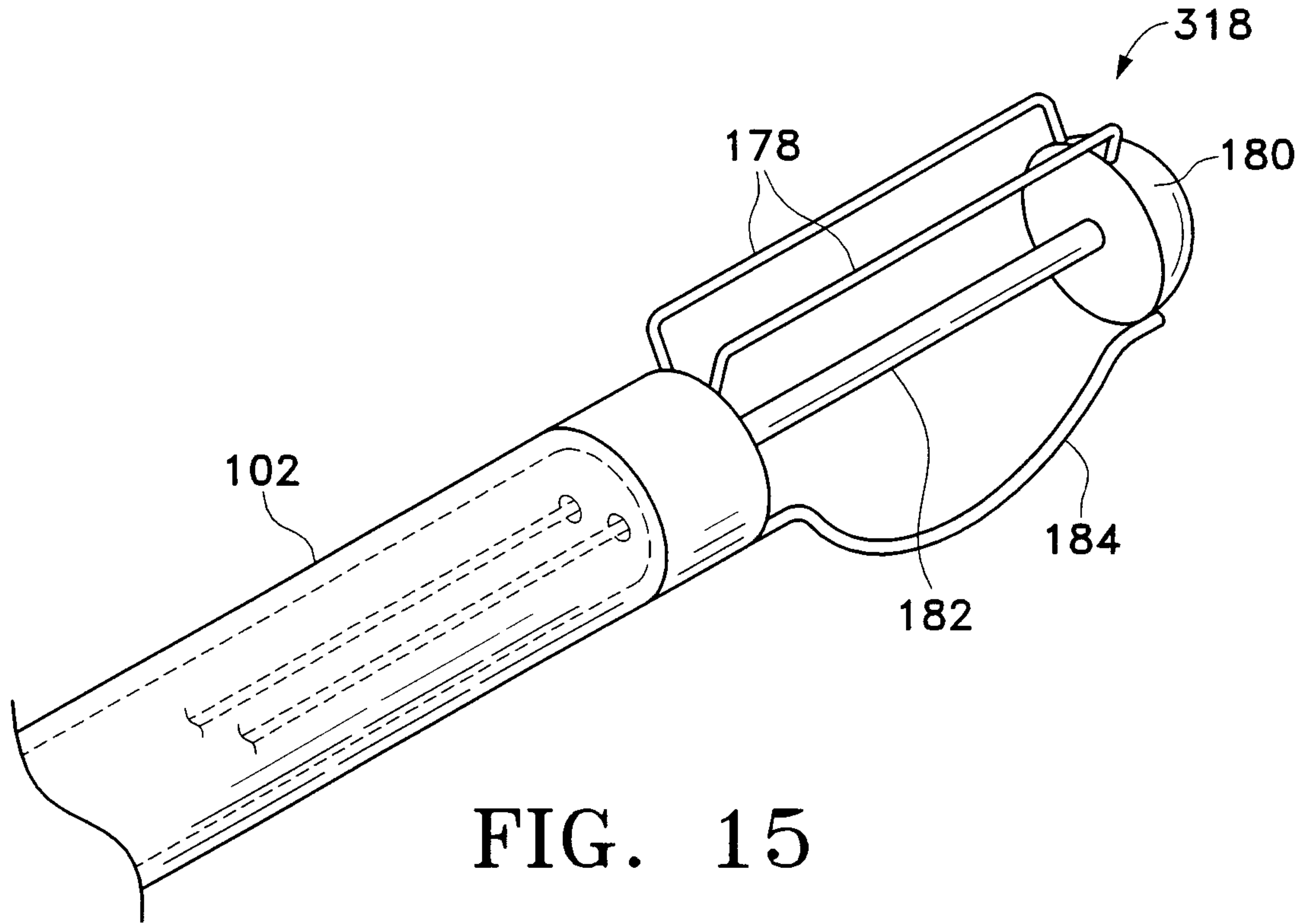


FIG. 15

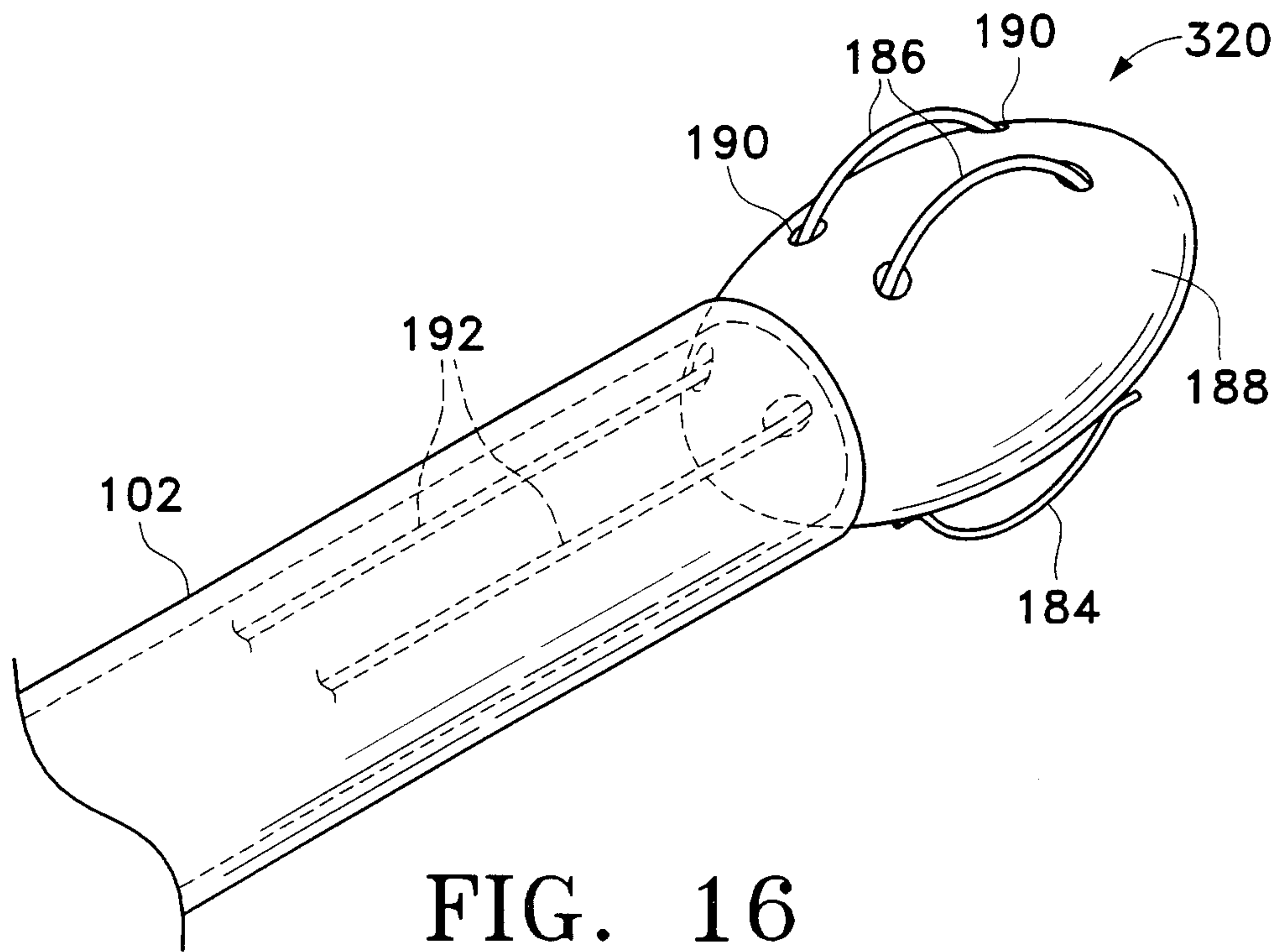


FIG. 16

17/19

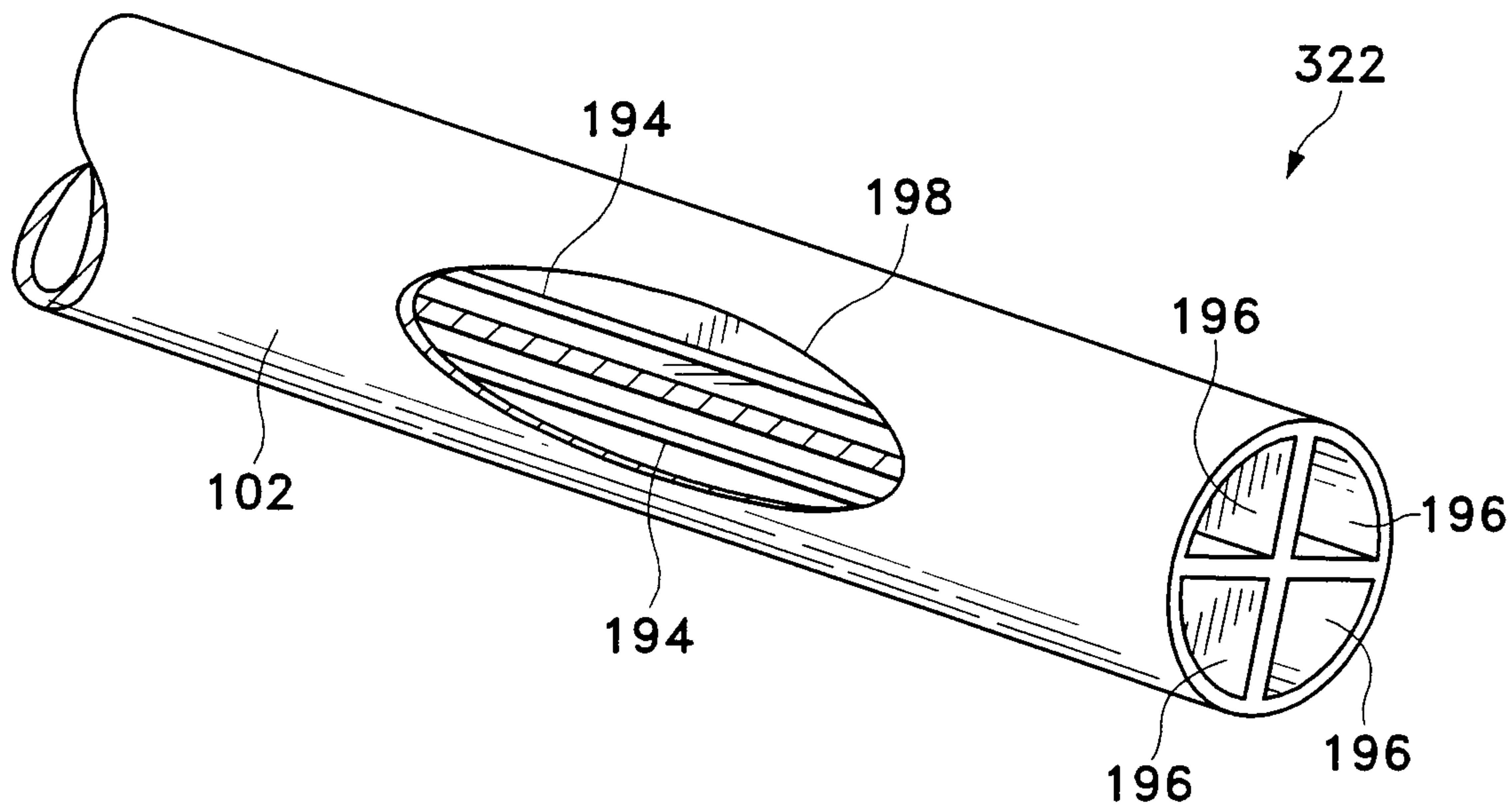


FIG. 17

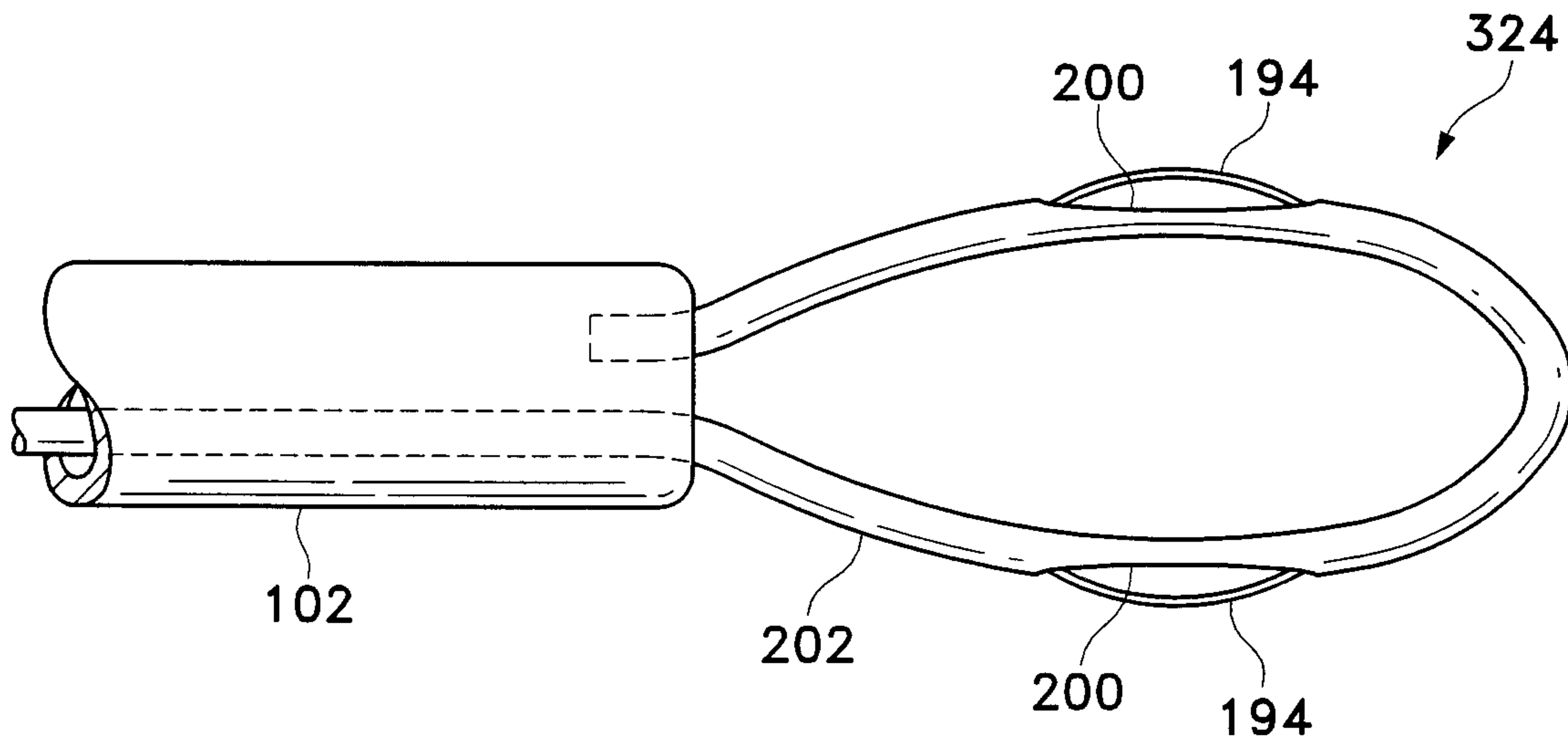


FIG. 18

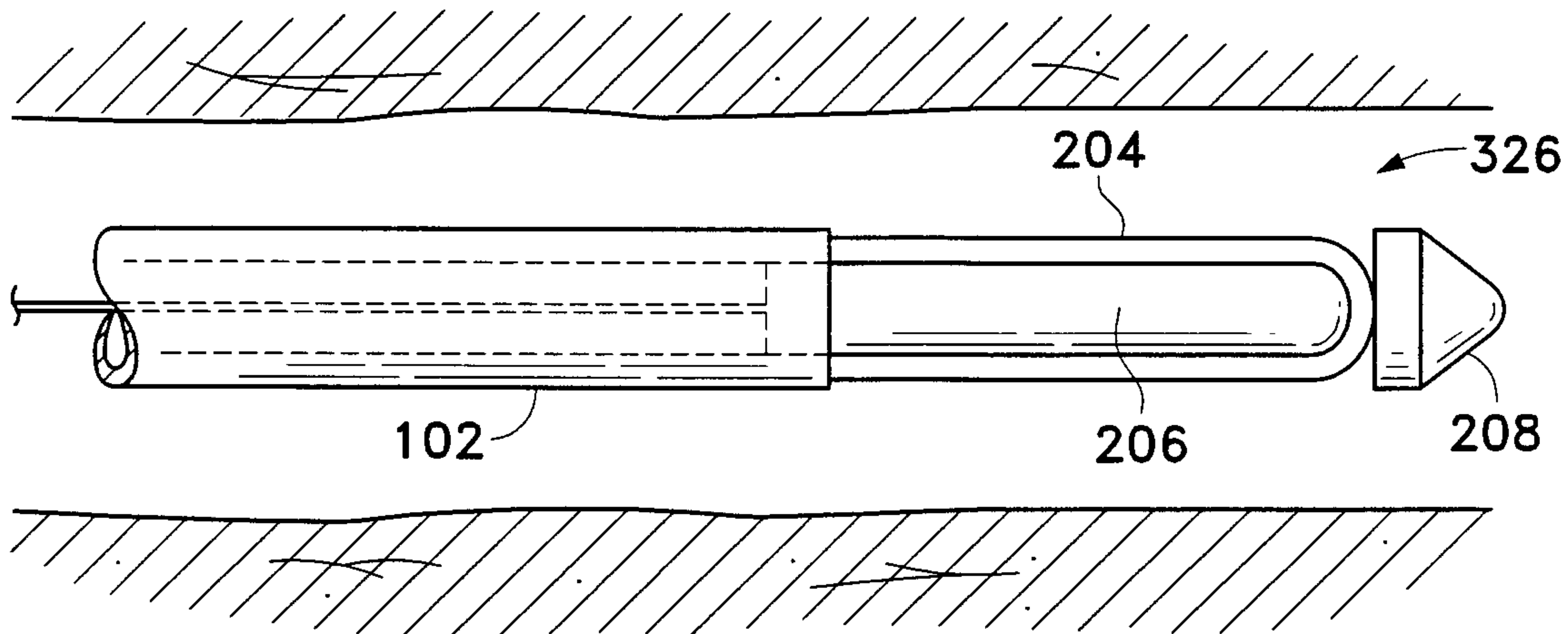


FIG. 19

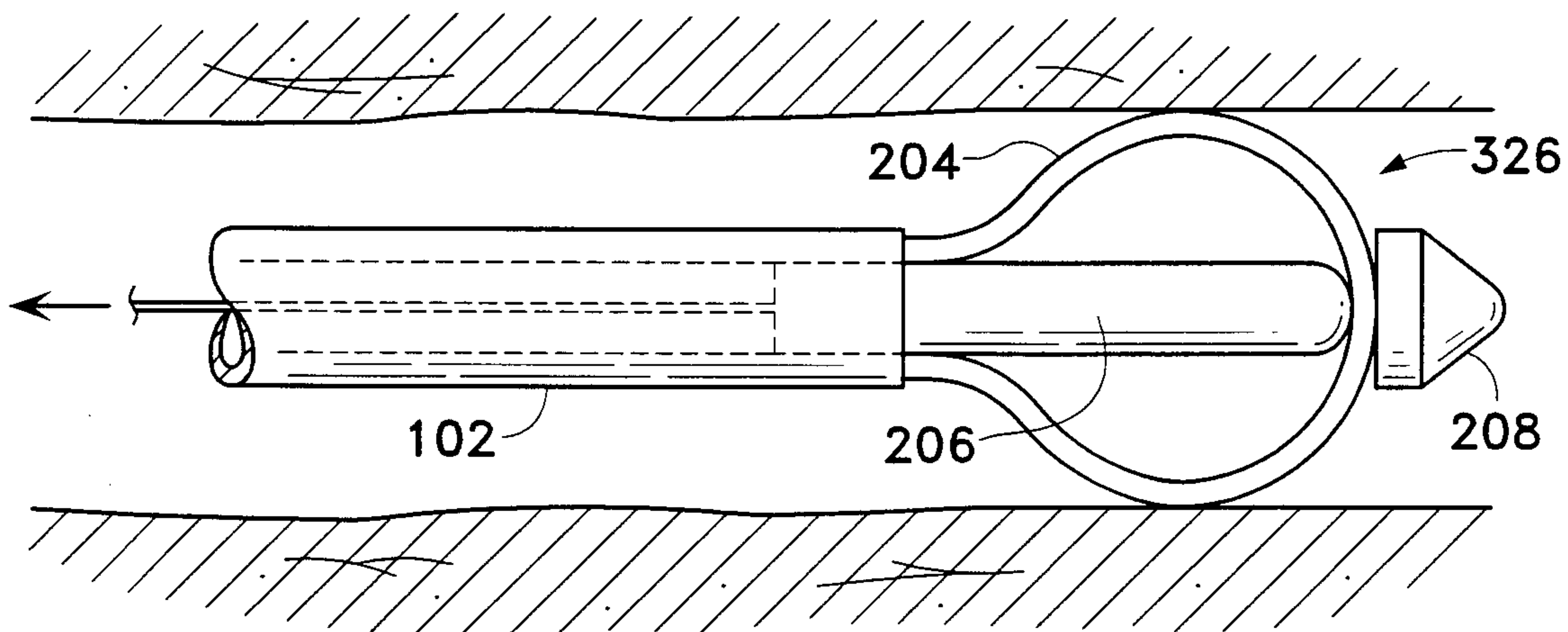


FIG. 20

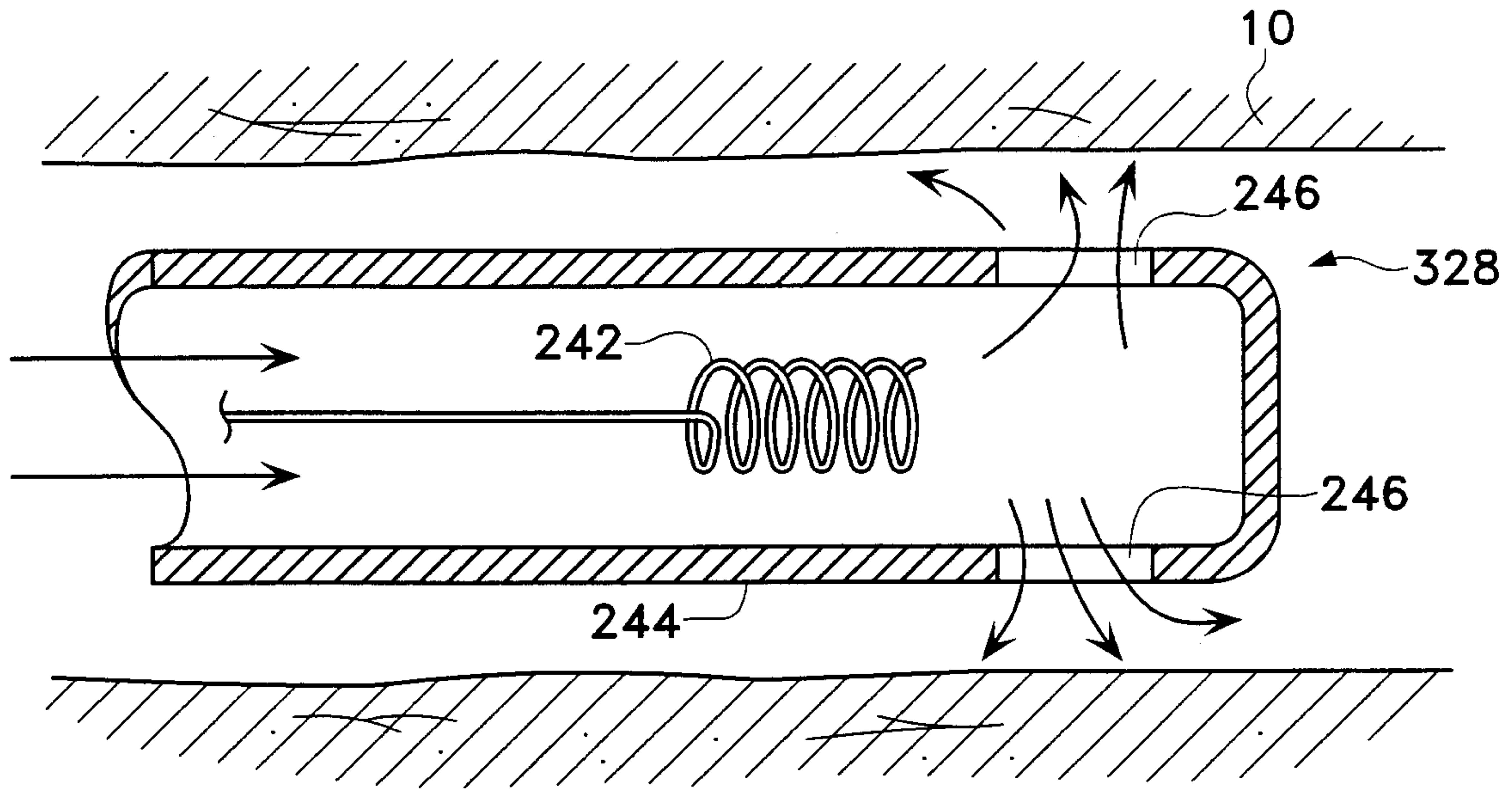


FIG. 21

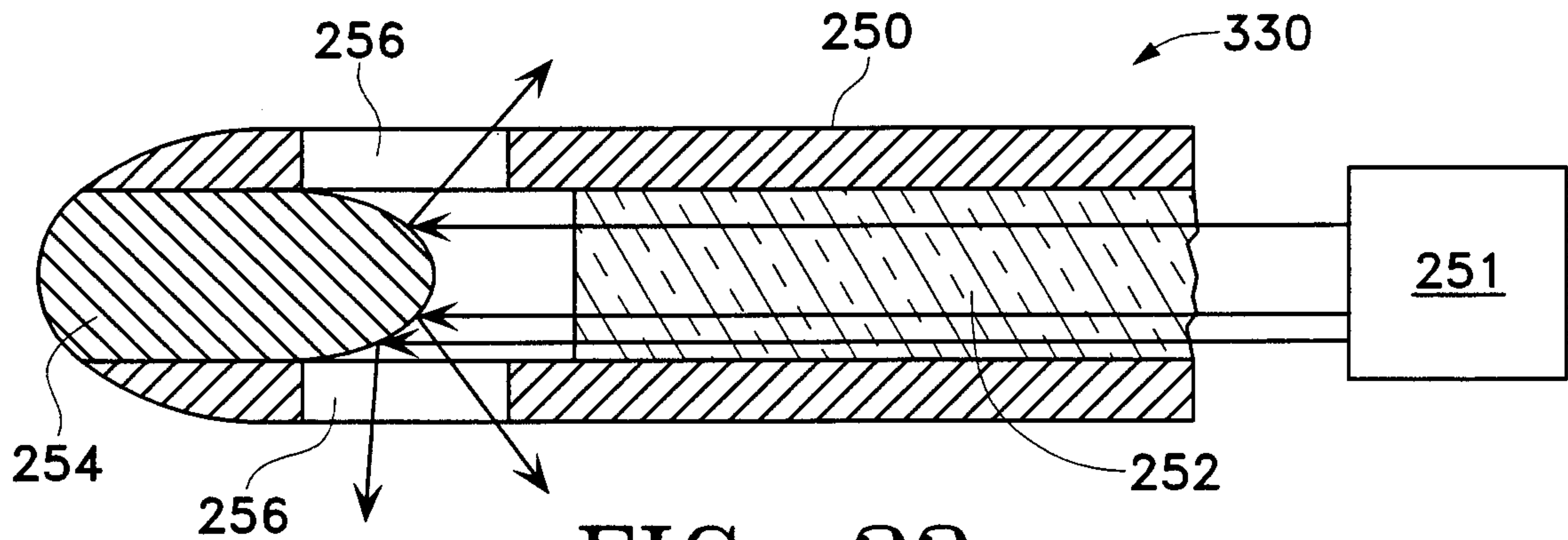


FIG. 22

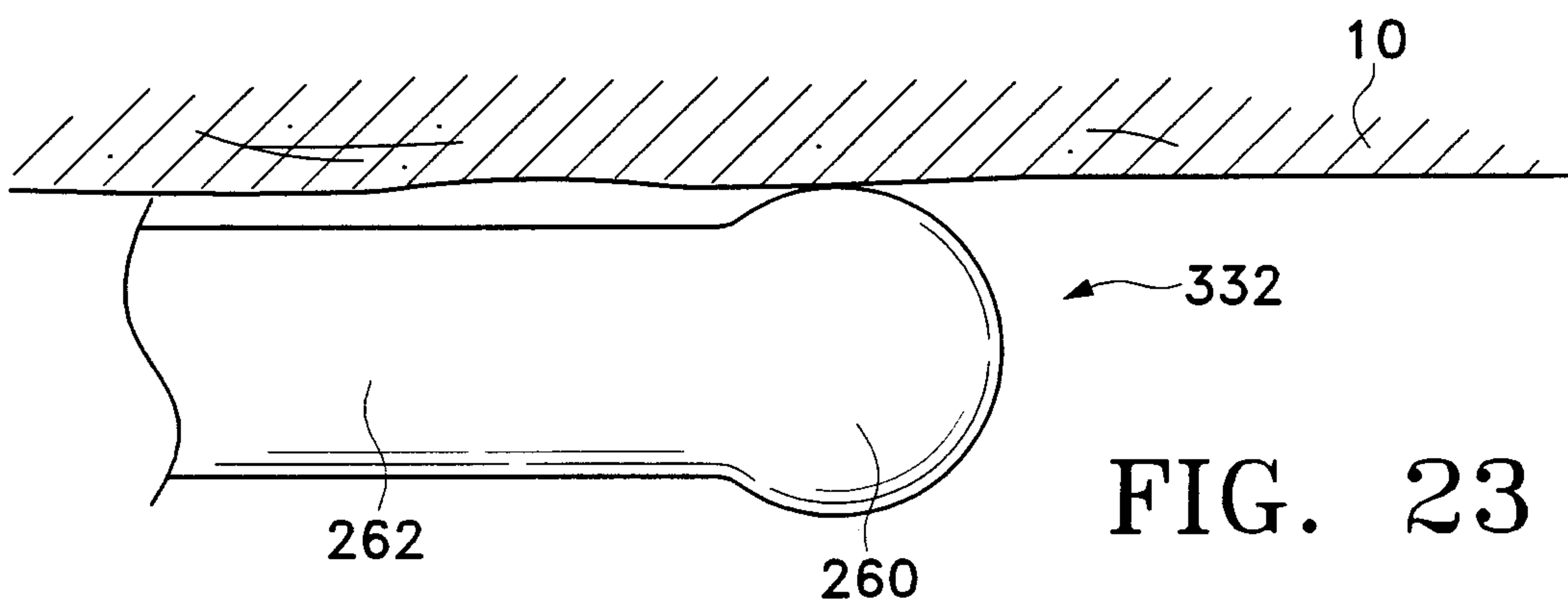


FIG. 23

