

CORRECTED VERSION

(19) World Intellectual Property Organization
International Bureau



(43) International Publication Date
2 October 2008 (02.10.2008)

PCT

(10) International Publication Number
WO 2008/118396 A8

(51) International Patent Classification:
G06Q 50/00 (2006.01)

(21) International Application Number:

PCT/US2008/003815

(22) International Filing Date: 24 March 2008 (24.03.2008)

(25) Filing Language: English

(26) Publication Language: English

(30) Priority Data:
60/907,185 23 March 2007 (23.03.2007) US

(71) Applicant (for all designated States except US): BPL
GLOBAL, LTD. [US/US]; 1603 Carmody Court, Suite
400, Sewickley, Pennsylvania 15143 (US).

(72) Inventors; and

(75) Inventors/Applicants (for US only): TOLNAR, Jeff
[US/US]; c/o BPL Global, Ltd., 1603 Carmody Court,
Suite 400, Sewickley, Pennsylvania 15143 (US). CAR-
OLINE, Heidi [US/US]; c/o BPL Global, Ltd., 1603
Carmody Court, Suite 400, Sewickley, Pennsylvania
15143 (US). HYMER, Larry [US/US]; c/o BPL Global,
Ltd., 1603 Carmody Court, Suite 400, Sewickley, Pennsylv-
ania 15143 (US). BAUER, Michael [DE/US]; c/o BPL
Global, Ltd., 1603 Carmody Court, Suite 400, Sewickley,
Pennsylvania 15143 (US).

(74) Agent: LABARRE, James A.; Buchanan Ingersoll
& Rooney PC, P.O. Box 1404, Alexandria, Virginia
22313-1404 (US).

(81) Designated States (unless otherwise indicated, for every
kind of national protection available): AE, AG, AL, AM,
AO, AT, AU, AZ, BA, BB, BG, BH, BR, BW, BY, BZ, CA,
CH, CN, CO, CR, CU, CZ, DE, DK, DM, DO, DZ, EC, EE,
EG, ES, FI, GB, GD, GE, GH, GM, GT, HN, HR, HU, ID,
IL, IN, IS, JP, KE, KG, KM, KN, KP, KR, KZ, LA, LC,
LK, LR, LS, LT, LU, LY, MA, MD, ME, MG, MK, MN,
MW, MX, MY, MZ, NA, NG, NI, NO, NZ, OM, PG, PH,
PL, PT, RO, RS, RU, SC, SD, SE, SG, SK, SL, SM, SV,
SY, TJ, TM, TN, TR, TT, TZ, UA, UG, US, UZ, VC, VN,
ZA, ZM, ZW.

(84) Designated States (unless otherwise indicated, for every
kind of regional protection available): ARIPO (BW, GH,
GM, KE, LS, MW, MZ, NA, SD, SL, SZ, TZ, UG, ZM,
ZW), Eurasian (AM, AZ, BY, KG, KZ, MD, RU, TJ, TM),
European (AT, BE, BG, CH, CY, CZ, DE, DK, EE, ES, FI,
FR, GB, GR, HR, HU, IE, IS, IT, LT, LU, LV, MC, MT, NL,
NO, PL, PT, RO, SE, SI, SK, TR), OAPI (BF, BJ, CF, CG,
CI, CM, GA, GN, GQ, GW, ML, MR, NE, SN, TD, TG).

Published:
— with international search report

[Continued on next page]

(54) Title: SYSTEM AND METHOD FOR DEMAND DISPATCH AND LOAD MANAGEMENT

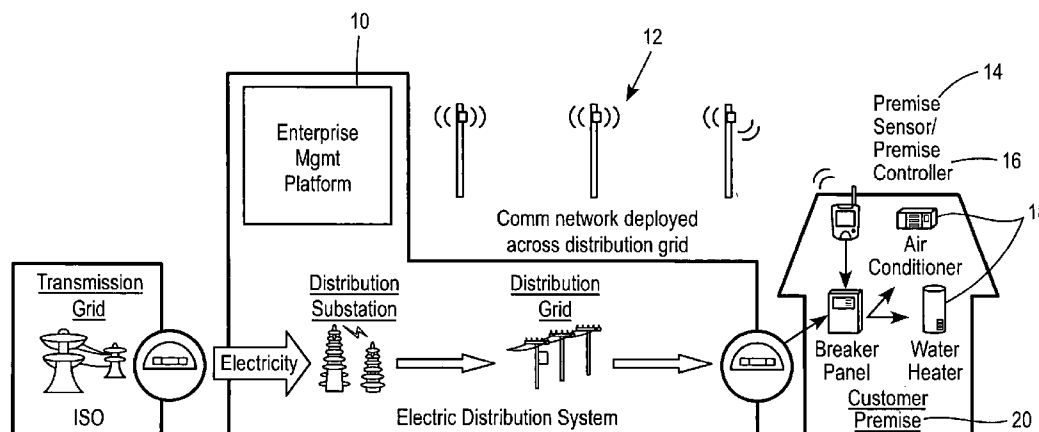


FIG. 1

(57) Abstract: Provided is a system and method for monitoring utilization of a resource across an entire distribution area. The system dynamically and intelligently limits the aggregated utilization of the resource across an entire distribution area or targeted sub areas. Targeted usage thresholds at the device (individual utilization) level, as well as utility-specified business and technical rules and overrides, can be applied. Using these rules, the system continuously looks for and manages individual utilization of the resource that is available for curtailment, thus producing a larger and more efficient utilization level that is available for reduction without service impact to customers within that service area or targeted sub areas.

WO 2008/118396 A8



(48) Date of publication of this corrected version:

15 January 2009

(15) Information about Correction:

see Notice of 15 January 2009