



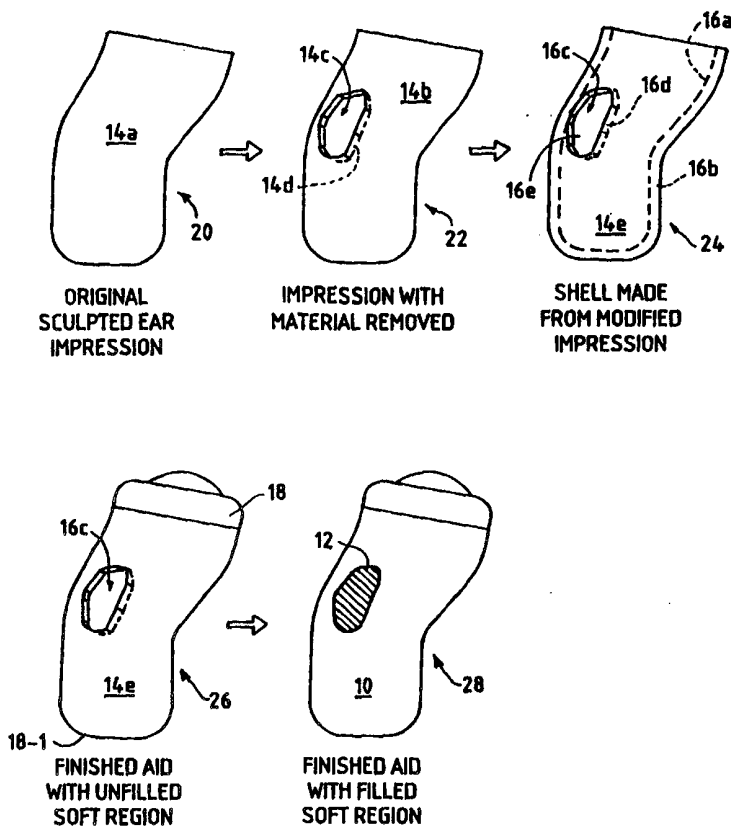
INTERNATIONAL APPLICATION PUBLISHED UNDER THE PATENT COOPERATION TREATY (PCT)

<p>(51) International Patent Classification ⁶ : H04R 25/00</p>	<p>A1</p>	<p>(11) International Publication Number: WO 99/56501 (43) International Publication Date: 4 November 1999 (04.11.99)</p>
<p>(21) International Application Number: PCT/US99/09144 (22) International Filing Date: 27 April 1999 (27.04.99) (30) Priority Data: 09/070,124 30 April 1998 (30.04.98) US (71) Applicant: BELTONE ELECTRONICS CORPORATION [US/US]; 4201 West Victoria Street, Chicago, IL 60646 (US). (72) Inventor: YOEST, Robert, W.; 3570 Bayberry Drive, Northbrook, IL 60062 (US). (74) Agent: ERICKSON, Randall, T.; Rockey, Milnamow & Katz, Ltd., 47th floor, Two Prudential Plaza, 180 North Stetson, Chicago, IL 60601 (US).</p>	<p>(81) Designated States: AU, CA, CN, JP, MX, ZA, European patent (AT, BE, CH, CY, DE, DK, ES, FI, FR, GB, GR, IE, IT, LU, MC, NL, PT, SE). Published <i>With international search report.</i></p>	

(54) Title: MULTIMATERIAL HEARING AID HOUSING

(57) Abstract

A hearing aid housing (10) which is formed of a substantially rigid plastic material carries a deformable compliant region (12). The region, which could be in the form of an annular seal, or which could extend in part axially along the housing improved user comfort and hearing aid performance by providing an improved seal with the user's ear canal. The housing can be formed with a substantially constant wall thickness which includes the regions wherein the compliant material is located.



FOR THE PURPOSES OF INFORMATION ONLY

Codes used to identify States party to the PCT on the front pages of pamphlets publishing international applications under the PCT.

AL	Albania	ES	Spain	LS	Lesotho	SI	Slovenia
AM	Armenia	FI	Finland	LT	Lithuania	SK	Slovakia
AT	Austria	FR	France	LU	Luxembourg	SN	Senegal
AU	Australia	GA	Gabon	LV	Latvia	SZ	Swaziland
AZ	Azerbaijan	GB	United Kingdom	MC	Monaco	TD	Chad
BA	Bosnia and Herzegovina	GE	Georgia	MD	Republic of Moldova	TG	Togo
BB	Barbados	GH	Ghana	MG	Madagascar	TJ	Tajikistan
BE	Belgium	GN	Guinea	MK	The former Yugoslav Republic of Macedonia	TM	Turkmenistan
BF	Burkina Faso	GR	Greece	ML	Mali	TR	Turkey
BG	Bulgaria	HU	Hungary	MN	Mongolia	TT	Trinidad and Tobago
BJ	Benin	IE	Ireland	MR	Mauritania	UA	Ukraine
BR	Brazil	IL	Israel	MW	Malawi	UG	Uganda
BY	Belarus	IS	Iceland	MX	Mexico	US	United States of America
CA	Canada	IT	Italy	NE	Niger	UZ	Uzbekistan
CF	Central African Republic	JP	Japan	NL	Netherlands	VN	Viet Nam
CG	Congo	KE	Kenya	NO	Norway	YU	Yugoslavia
CH	Switzerland	KG	Kyrgyzstan	NZ	New Zealand	ZW	Zimbabwe
CI	Côte d'Ivoire	KP	Democratic People's Republic of Korea	PL	Poland		
CM	Cameroon	KR	Republic of Korea	PT	Portugal		
CN	China	KZ	Kazakstan	RO	Romania		
CU	Cuba	LC	Saint Lucia	RU	Russian Federation		
CZ	Czech Republic	LI	Liechtenstein	SD	Sudan		
DE	Germany	LK	Sri Lanka	SE	Sweden		
DK	Denmark	LR	Liberia	SG	Singapore		
EE	Estonia						

MULTIMATERIAL HEARING AID HOUSING

Field of the Invention:

5 The invention pertains to hearing aids. More particularly, the invention pertains to housings for hearing aids which incorporate compliant comfort improving and seal improving regions.

Background of the Invention:

10 Two major related problems are often associated with known hearing aids. These are feedback and poor physical fit or discomfort. Both of these problems may result in hearing aids being returned to the manufacturer to be remade or returned for credit.

15 If a hearing aid does not make a good seal in the ear, oscillation producing feedback usually occurs. This results in a device whose gain can not be turned up sufficiently to provide the user with the needed amplification.

20 A poor fit can be the result of, among other causes, sensitivity in the bony portion of the ear canal, an imperfect impression of the ear canal, variability in the shell manufacturing process, or ear anomalies such as bumps or birthmarks. A poor fit will reduce user satisfaction and promote a return or non-use of the instrument.

 Hearing aids are conventionally tested by mounting each unit in putty and completely sealing it on a standard test coupler. The performance of the mounted unit is then measured. If the unit is within its specifications, it is then shipped to the customer.

25 If the hearing aid does not produce an adequate seal in the user's ear, the device's potential can not be achieved. Additionally, when the human jaw moves due to talking, chewing, etc., the shape of the ear canal changes. A rigid, conventional shell cannot adjust for the changes in ear canal shape due to movement of the jaw. Hence, an entirely rigid hearing aid shell that is perfectly fitted initially
30 may produce unsatisfactory results in normal use.

Thus, there continues to be a need for hearing aid shells which can provide better seals than heretofore known. Preferably such improved seals could provide comfortable fit under both static and dynamic conditions of use.

Summary of the Invention:

5 A housing for a hearing aid has improved seal and comfort characteristics under both static and dynamic conditions. These are achieved by combining a relatively rigid plastic with a more compliant elastomer. The resultant multi-material housing can include one or more compliant, comfort enhancing regions which are in contact, when inserted, with more sensitive regions of a user's
10 ear canal.

 Alternately, or in addition thereto, compliant annular seals can be formed around the housing. When inserted, the annular compliant region provides an improved, comfortable seal with the interior of the user's ear canal. As a result of these improved characteristics, the gain of the unit can be increased without
15 producing performance degrading feedback.

 In yet another aspect, the housing, which defines a hollow interior region for carrying various types of electrical components, is formed with a substantially constant wall thickness. The regions of the housing which are intended to receive the compliant material are also formed with substantially the same wall
20 thickness.

 These constant wall thicknesses are achieved as a result of casting the rigid portion of the housing with the compliant material receiving regions defined thereon. This in turn produces a substantially rigid cast housing which has not been stressed or weakened due to having material removed therefrom (thereupon reducing
25 the wall thickness) after the casting process has been completed.

 A method in accordance with the present invention includes the steps of: forming a relatively soft impression of the ear canal of a user; removing from the user's ear canal impression a limited amount of material in the regions to be defined to receive the compliant insert; forming an inverse or female mold

corresponding to the ear canal impression; and casting in that mold a substantially rigid housing, for example of acrylic.

The housing formed as above will incorporate the predefined compliant material receiving regions. Those regions will have a wall thickness
5 comparable to the wall thickness of the remainder of the housing.

A compliant material can be deposited into those regions, in a gel or liquid form and then permitted to harden. When hardened, the comfort enhancing regions or improved seal will make it possible to comfortably wear or to operate the unit at higher gain levels without causing physical discomfort due to fit or feedback
10 problems.

In another aspect, the invention addresses a need for a hearing aid that seals in the ear canal better and is more comfortable than those that are available today. The preferred embodiment of the hearing aid can be fabricated using most of the same materials and manufacturing techniques used today. The invention can
15 be used on all types of custom hearing aid styles such as in-the-ear, in-the-canal, minicanals, or completely-in-the-canal styles.

A raw canal impression is produced and processed as is known in the industry today. After the impression has been sculpted into a configuration usable to produce an ear mold or shell, a channel or recess is formed in the outer surface
20 of the impression. The channel or recess can be formed using a machining process.

In one embodiment, a channel roughly .020" deep entirely encircles the output end of the housing. This channel may be round or elliptical, concentric with the canal, or on a diagonal. The shell is then cast in a conventional fashion. The resulting shell has the channel formed therein. The wall thickness in the
25 vicinity of the channel corresponds to the wall thickness elsewhere on the housing.

The hearing aid assembly is completed. Once the unit has been assembled, the channel is filled with a flexible, soft, and durable material preferably a silicone. The channel could be oversized to produce a superior seal.

An alternate embodiment incorporates a soft region on the hearing aid
30 shell. This region is used to provide soft contact in a sensitive area of the ear. This

soft or compliant region is produced in much the same way as is the above described channel except that it will not be overfilled to create a protrusion. It will only be filled until the recess has been built up to correspond to the surface of the original impression. The method can be modified such that the housing wall thickness in the vicinity of the compliant material is greater than or less than the wall thickness of the remainder of the housing.

In yet another aspect, the housing can also be formed of a compliant material.

Numerous other advantages and features of the present invention will become readily apparent from the following detailed description of the invention and the embodiments thereof, from the claims and from the accompanying drawings.

Brief Description of the Drawings:

Figs. 1A and 1B taken together illustrate a process of forming a multimaterial hearing aid housing in accordance with the present invention;

Fig. 2 illustrates steps of a process of curing an applied compliant material;

Fig. 3 illustrates the steps of a process of forming a compliant annular seal in accordance with the present invention;

Fig. 4 illustrates the steps of curing the seal of Fig. 3;

Fig. 5 illustrates a pair of color coded hearing aids;

Fig. 6A illustrates a radially extending compliant region; and

Fig. 6B illustrates a generalized form of a seal.

Detailed Description of the Preferred Embodiments:

While this invention is susceptible of embodiment in many different forms, there are shown in the drawing and will be described herein in detail specific embodiments thereof with the understanding that the present disclosure is to be considered as an exemplification of the principles of the invention and is not intended to limit the invention to the specific embodiments illustrated.

Fig. 1A illustrates the steps of a process for forming an improved hearing aid 10 with a comfort improving compliant region 12. In an initial step 20,

an ear impression 14a is formed using conventional materials. The impression 14a corresponds to the shape of an ear canal of a selected potential user.

In a step 22, the impression 14a has been processed to form an impression 14b. In the impression 14b, material has been removed adjacent the surface thereof so as to form a region 14c, of a selected depth 14d therein.

The modified impression of 14b is then used in a conventional casting process to form an inverse or female casting mold indicative thereof. That mold, not shown, is then used to form, using conventional molding processes, a substantially rigid, hollow acrylic shell 14e in a step 24.

The shell 14e defines an interior component receiving region 16a. The component receiving region 16a is bounded by a shell wall 16b of a substantially constant thickness.

The region 14c has been replicated in the shell 14e as a cast region 16c. The region 16c should have the same dimensions and shape as does the region 14c.

The region 16c has a depth 16d corresponding to the depth 14d of the region 14c. The region 16c is bounded by a surface 16e. The depth of the rigid cast material adjacent the bounding surface 16e corresponds to the wall thickness 16b.

An audio or speech processing electronics package can be installed in the shell 14e. The shell 14e can be closed with a faceplate 18 illustrated in a step 26. Processed audio is output from an output port formed on an end 18-1. The end 18-1 would be inserted into the user's ear canal.

In a final step 28, the region 16c can be filled with a compliant material 12 thereby forming completed housing 10. Alternately, as would be understood by those having skill in the art, the appropriate electronic package can be installed into the housing 10 subsequent to having applied the material 12.

Fig. 1B illustrates the steps 20 through 28 with the elements 14a, 14b, 14e and 10 rotated. As illustrated in step 22 of Fig. 1B, the region 14c has been cut into the ear impression with a depth 14d. The subsequently manufactured shell, 14e, is thus formed with a region 16c having a depth 16d.

The wall thickness 16b' of the shell 14e in the vicinity of the region 16c is substantially the same as the thickness 16b formed elsewhere in the shell. Thus, when the shell 14e has been cast, the depression 16c formed therein has associated therewith the same wall thickness as the remainder of the shell and does not represent a region of thinner wall thickness which might fracture or break in response to stresses applied during normal use. It will be understood that greater or lesser wall thicknesses, such as 16b' can be formed without departing from the spirit and scope of the present invention.

Fig. 2 illustrates steps of an exemplary method for applying the elastomeric material 12 to the housing 10 so that it flows uniformly throughout the region 16c. In a step 40, the housing 10 is mounted on a fixture 30. Mounting can be accomplished by inserting a barb, pin or other attachment device 30-1 into an audio output port or vent 30-2.

The compliant material 12 is applied in flowable form to the region 16c by means of a syringe or applicator 32 in a step 42. Once the flowable material 12-1 has been applied to the region 16c, in a step 44, the fixture 30 rotates the housing 10.

Rotating the housing 10 produces a flow of the material 12-2 throughout the region 16c while permitting the material to harden. The rotation also promotes hardening of the material 12-2 at a uniform thickness and minimizes or prevents pooling or dripping thereof, by minimizing the distorting effects of gravity, until the material 12-2 has solidified to the point where it will no longer readily flow.

In a finishing step, not illustrated, the material 12-2 can be completely cured by exposing the housing 10 to radiant heat, ultrasonic heating, ultraviolet light or other curing techniques to complete the curing process and to provide a solidified, compliant region 12. Though cured, the selected elastomeric material will still be softer and more compliant than the remainder of the housing or shell 10.

As those of skill in the art will understand, the shell 14e can be formed undersized to a predetermined extent either by coating the inside of a

negative or female mold formed off of the impression 14b using material such as wax and then casting the shell 14e within that coated mold. Alternately, a layer of material can be removed from the impression 14a prior to forming the region 14c.

5 As illustrated in Fig. 1B, the final exterior contour of the cured region 12 corresponds to the exterior contour of the shell 10.

The curable material 12 can be any form of medical grade curable, compliant, silicone, polyurethane, polyvinyl or other elastomer. By appropriate selection of color, as will be understood by those of skill in the art, the compliant region 12 can be formed so as to be indistinguishable from the rigid housing 14e.

10 Fig. 3, unlike the process illustrated in Figs. 1A, 1B which forms a comfort enhancing compliant region 12 on a shell 10, illustrates a process of forming a rigid shell 10' which carries an annular compliant seal such as 12'-1 or 12'-2. A seal 12'-1 can be formed with a first lateral extent and a first axial dimension. Alternately, an over-sized seal 12'-2 can be formed with a greater lateral extent and
15 a greater axial dimension.

In a step 60, as illustrated in Fig. 3, a sculpted ear impression 54a can be formed corresponding to the shape of the ear canal of a selected user. In a step 62, the impression at 54b has been processed by removing material to form an annular depression or region 54c which is located adjacent to an audio output end
20 54b-1 of the impression 54b.

The end 54b-1 corresponds to the end of the impression 54b which, when cast, is intended to be inserted into the ear canal adjacent to the ear drum of the user. Hence, an acoustic output port would be formed in the end 54b-1 to permit processed audio to emanate from the housing 54b.

25 The processed impression 54b is then used to form a negative or a female mold as would be understood by those of skill in the art. That mold is in turn used in a step 64 to form a rigid hollow acrylic shell 54e.

The shell 54e which results from the casting process defines an internal component receiving region 56a and has a substantially constant wall thickness 56b. The wall thickness 56b' is substantially the same constant value in
30

- 8 -

the region 56c which corresponds to the annular seal receiving region 54c. Greater or lesser wall thicknesses, as 56b' could also be used.

As would be understood by those of skill in the art, the rigid shell 54e, when completed as a hearing aid, is intended to be inserted into the ear canal of the user. An end 56e-1 of the shell 54e would be located in the ear canal adjacent to the user's ear drum.

As will be described subsequently, a seal formed in the annular channel 56c will be effective to seal with the interior surface of the user's ear canal thereby minimizing the possibility of feedback. As a result, the completed unit can be operated at a high gain thereby providing additional amplification for the benefit of the user.

In a step 66, the electronic package for processing audio can be installed in housing 54e and the housing 54e can be completed with a faceplate 58. Finally, in a step 68a or 68b a curable compliant annular seal 12'-1 or 12'-2 can be formed in the channel 56c. The seal 12'-1, 12'-2 is permanently attached to the housing 10'. As illustrated in the step 68a, 68b, the cured seals 12'-1, 12'-2 are uniformly distributed, and solidified thereby forming a compliant seal. Alternately, the electronic package can be installed in the region 56a subsequent to forming the seals 12'-1, 12'-2. The time of installation of the electronic package is not a limitation of the present invention.

Fig. 4 illustrates the steps of a process of applying the compliant material to the channel 56c so as to form the desired annular seal 12'1, 12'-2.

As illustrated in Fig. 4 in a step 80, a rotating fixture 70 is used to support the housing 10' in a rotary fashion. A syringe or applicator 32 can be used to inject a flowable, curable, compliant material, such as silicone, into the channel 56c to form the seal.

The housing 10' can be supported on the fixture 70 by a barb, pin, or other attachment device 70-1 which is inserted into the vent or audible output port 70-2 at the end 56e-1. As illustrated in the step 80, the housing 10' is to be slowly

rotated while the syringe or dispenser 32 applies flowable silicone or other compliant material into the channel 56c.

As illustrated in a step 82, the fixture 70 continues to rotate the housing 10' while the flowable compliant material is applied to completely fill the channel 56c. Once a sufficient amount of material, to form either the seal 12'-1 or 12'-2 has been applied to the channel 56c, the applicator 32 ceases applying additional material. The housing 10' continues to rotate to produce a uniform distribution of material in a channel 56c.

As illustrated in a step 84, the fixture 70 will continue to rotate the housing 10' until the material forming the seal 12'-1, 12'-2 has solidified sufficiently that it will no longer flow. At this time, the housing 10' can be subjected to radiant heat, ultrasonically generated heat, ultraviolet light or any other curing technique appropriate to complete the curing process of the seal 12'-1 or 12'-2.

The fixture 70 can continue to rotate the housing 10' during the remainder of the curing process. Once the seal 12'-1, 12'-2 has substantially completed curing, the housing 10' can be removed from the fixture 70.

It will be understood that a depression such as region 16c or annular ring 56c could be formed in a region of a respective housing without the housing exhibiting a substantially constant thickness adjacent thereto. For example, the wall thickness, such as the regional thickness 16b', or 56b', could be greater than or less than the adjacent wall thickness of the respective housing.

It will also be understood that the housing need not be rigid. One of skill in the art will recognize how the disclosed process should be modified to be used in conjunction with deformable housings. Such compliant housings could carry, for example, enlarged sealing rings such as seals 12'-1 and 12'-2 or other added compliant regions such as region 12.

Fig. 5 illustrates two housings 10'-L and 10'-R. The two illustrated housings are for a user's left ear and right ear respectively. Each of the housings carries a respective annular seal such as the seal 13-L and 13-R. The seals 13-L and 13-R correspond, for example, to the annular seal 12'-1 or 12'-2.

For identification and ease of use, the seal 13-L can be formed incorporating an identifying color, for example, the color blue. Similarly, the seal 13-R can be formed with an identifying color such as the color red. Such color coding provides additional convenience for the user by clearly identifying which ear is associated with the respective housing.

Fig. 6A illustrates a housing 100 having a faceplate 102. The housing 100 carries a compliant region 104 which extends at least in part axially there along. The region 104 extends laterally from an exterior of peripheral surface 106 of the housing 100.

When the end 108 is inserted into the user's ear canal, the region 104 assists in forming a seal between the housing 100 and the interior surface of the ear canal by in part deforming so-as to conform to the shape of the adjacent ear canal of the user. Additionally, to the extent that a portion of the user's ear canal compresses or deforms the material 104, which extends purposely laterally from the peripheral surface 106, an opposing peripheral region 110 will be forced against the opposing portion of the user's ear canal thereby forming a seal.

The region 104, when inserted into the user's ear canal, with the end 108 extending toward the user's ear drum, could be located adjacent to and in contact with a substantially rigid or hard portion of the ear canal. This would in turn depress or deform a portion of the compliant material 104 which in turn forces the region 110 toward and into contact with an opposing portion of the user's ear canal thereby promoting an improved seal.

Fig. 6B illustrates a housing 120 which carries a generalized seal 122 formed of a compliant conformable material. It will be understood that the housing 120 could be formed of a substantially rigid plastic material. Alternately, the housing 120 could be formed of a compliant material.

From the foregoing, it will be observed that numerous variations and modifications may be effected without departing from the spirit and scope of the invention. It is to be understood that no limitation with respect to the specific apparatus illustrated herein is intended or should be inferred. It is, of course,

intended to cover by the appended claims all such modifications as fall within the scope of the claims.

What is Claimed:

1. A hearing aid comprising:
a housing formed of a substantially rigid material wherein the housing has an exterior peripheral surface and defines an internal component receiving region and wherein the housing defines a three dimensional region, formed adjacent to the surface, of a selected periphery; and
wherein the region is filled with a flowable, compliant material which cures and bonds to the housing forming a compliant surface that intersects the exterior peripheral surface at the periphery.
2. A hearing aid as in claim 1 wherein the three dimensional region is in the form of a closed curve.
3. A hearing aid as in claim 1 wherein the compliant material is substantially evenly distributed throughout the three dimensional region.
4. A hearing aid as in claim 1 wherein the compliant surface extends continuously without abrupt changes in a surface gradient.
5. A hearing aid as in claim 1 wherein the housing exhibits a substantially constant wall thickness and exhibits the same thickness in the three dimensional region.
6. A hearing aid as in claim 2 wherein the compliant surface extends continuously with a smoothly changing surface gradient.
7. A hearing aid as in claim 1 wherein the applied compliant material is distributed throughout the region in response to selected movement of the housing while the compliant material is hardening.
8. A hearing aid as in claim 2 wherein the compliant surface extends generally laterally from the peripheral surface of the housing a predetermined amount.
9. A hearing aid as in claim 8 wherein the closed curve is substantially circular.
10. A hearing aid as in claim 1 wherein the region is color coded.

11. A method of forming a multimaterial housing for a hearing aid comprising:

forming a three dimensional representation of at least a portion of an ear canal;

5 forming a three dimensional region in the representation adjacent a surface thereof; and

forming with a selected first material an, at least in part, hollow housing having an exterior surface that corresponds to the surface of the representation and having a substantially constant wall thickness where hollow; and

10 filling the region with a second material that is more compliant than the first material.

12. A method as in claim 11 wherein a flowable material is used in the filling step.

13. A method as in claim 12 wherein, subsequent to the filling step, the housing is displaced with a periodic, repetitive movement while the compliant material is flowable.

14. A method as in claim 13 wherein the region forming step comprises forming an annular ring around a portion of the representation.

15. A method as in claim 11 wherein the filling step includes selecting a compliant material from a class which includes silicone, polyurethane, polyvinyl or other elastomeric material.

16. A method as in claim 11 wherein the compliant material is color coded.

17. A method as in claim 11 wherein the housing is formed of a substantially rigid plastic.

18. A method as in claim 17 wherein the compliant material is more deformable than is the housing.

19. A method as in claim 11 wherein the wall thickness in the region corresponds to the substantially constant thickness.

20. A hearing aid comprising:
a hollow housing having an exterior surface and at least a section having a substantially constant wall thickness;
a depression formed in the surface of the housing wherein the depression is at least filled with a flowable compliant material which hardens into an annular seal which extends from the surface of the housing;
an input transducer carried by the housing;
a signal processor, carried by the housing, coupled to the input transducer;
an output transducer, carried by the housing, and coupled to the signal processor and to an audio output port in the housing.
21. A hearing aid as in claim 20 wherein the depression is formed as an annular ring that surrounds the end of the housing containing the output port.
22. A hearing aid as in claim 20 wherein the depression extends at least in part, axially along a portion of the housing.
23. A hearing aid as in claim 22 wherein the depression is at least in part filled with a flowable material which, when cured, is softer and more deformable than the adjacent housing.
24. A hearing aid as in claim 20 wherein the housing in the vicinity of the depression, exhibits the substantially constant wall thickness.
25. A hearing aid as in claim 20 wherein the housing is formed of a substantially rigid material.
26. A method as in claim 11 wherein the first material is selected from a class containing plastic materials.
27. A method as in claim 12 wherein, at least subsequent to the filling step, the housing is rotated in at least a first rotary direction while the compliant material is flowable.
28. A method as in claim 12 wherein, at least subsequent to the filling step, the housing is rotated during at least a portion of the time while the compliant material is flowable

FIG. 1A

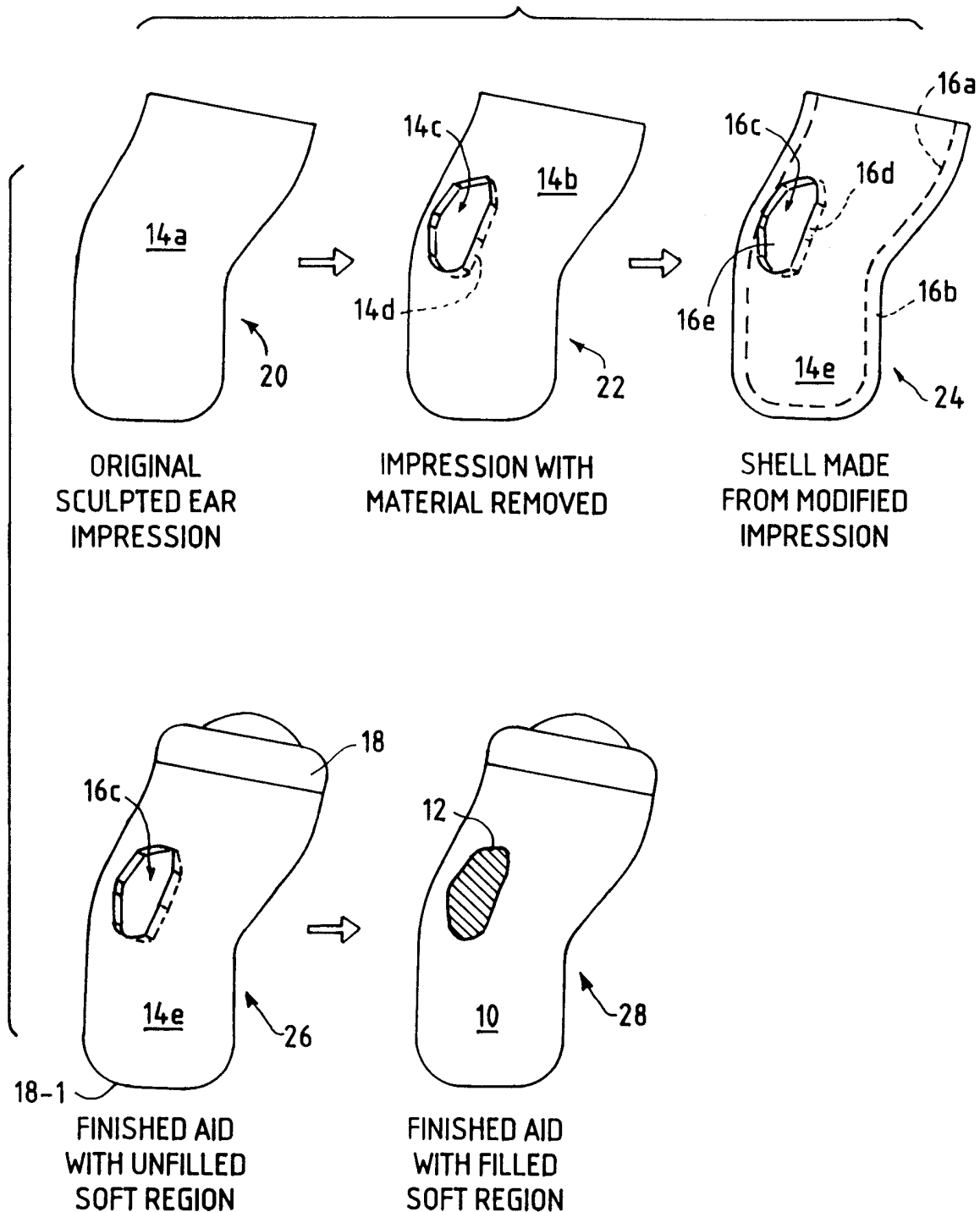


FIG. 1B

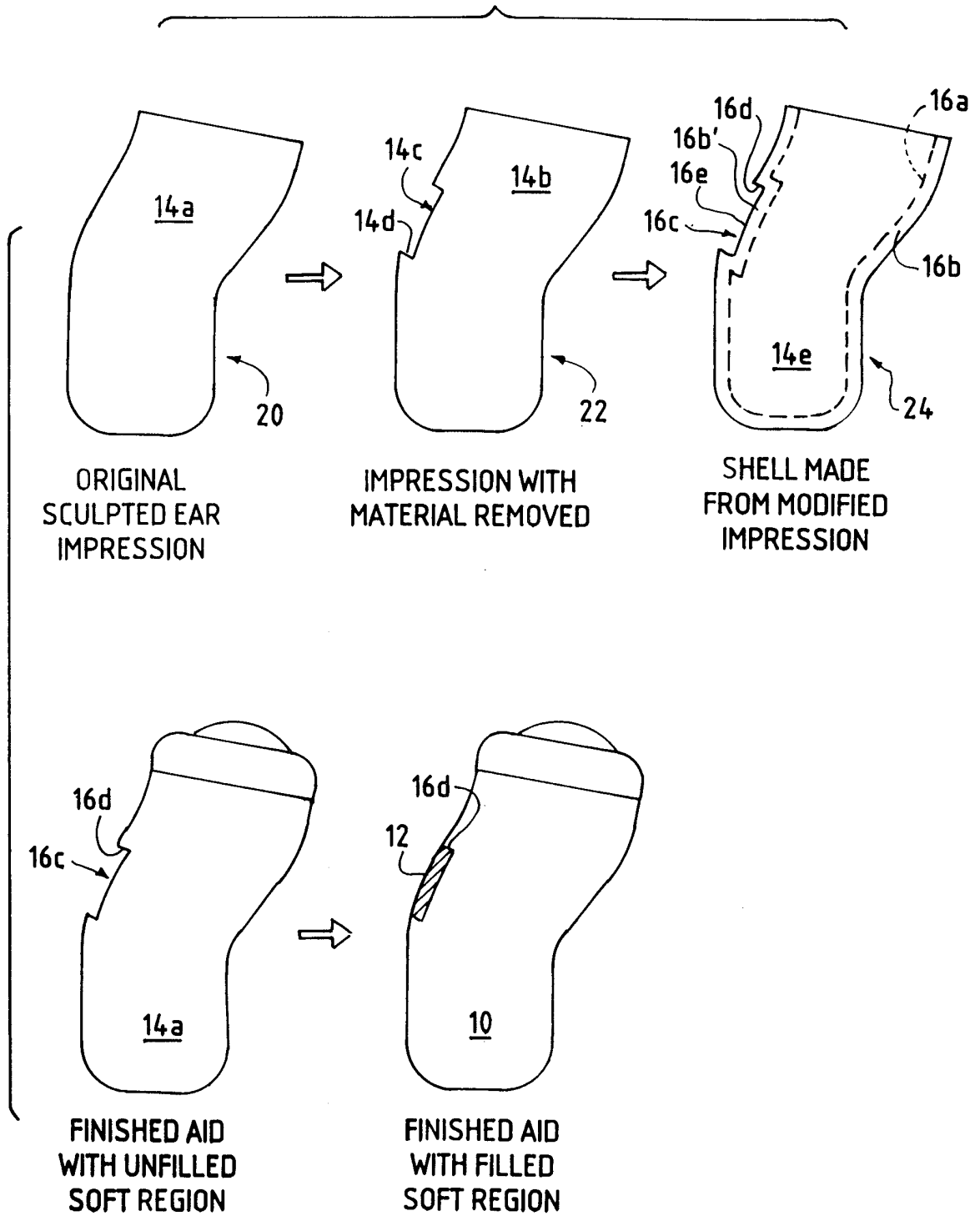


FIG. 2

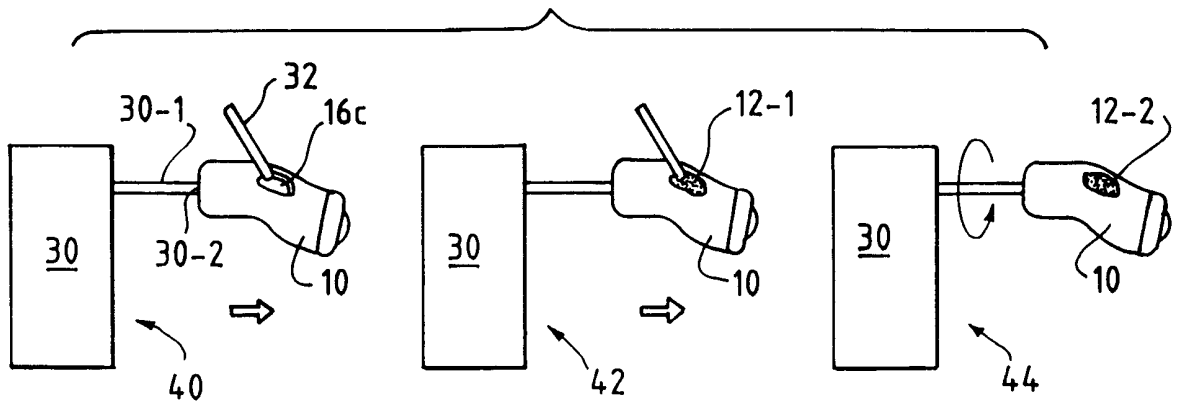


FIG. 3

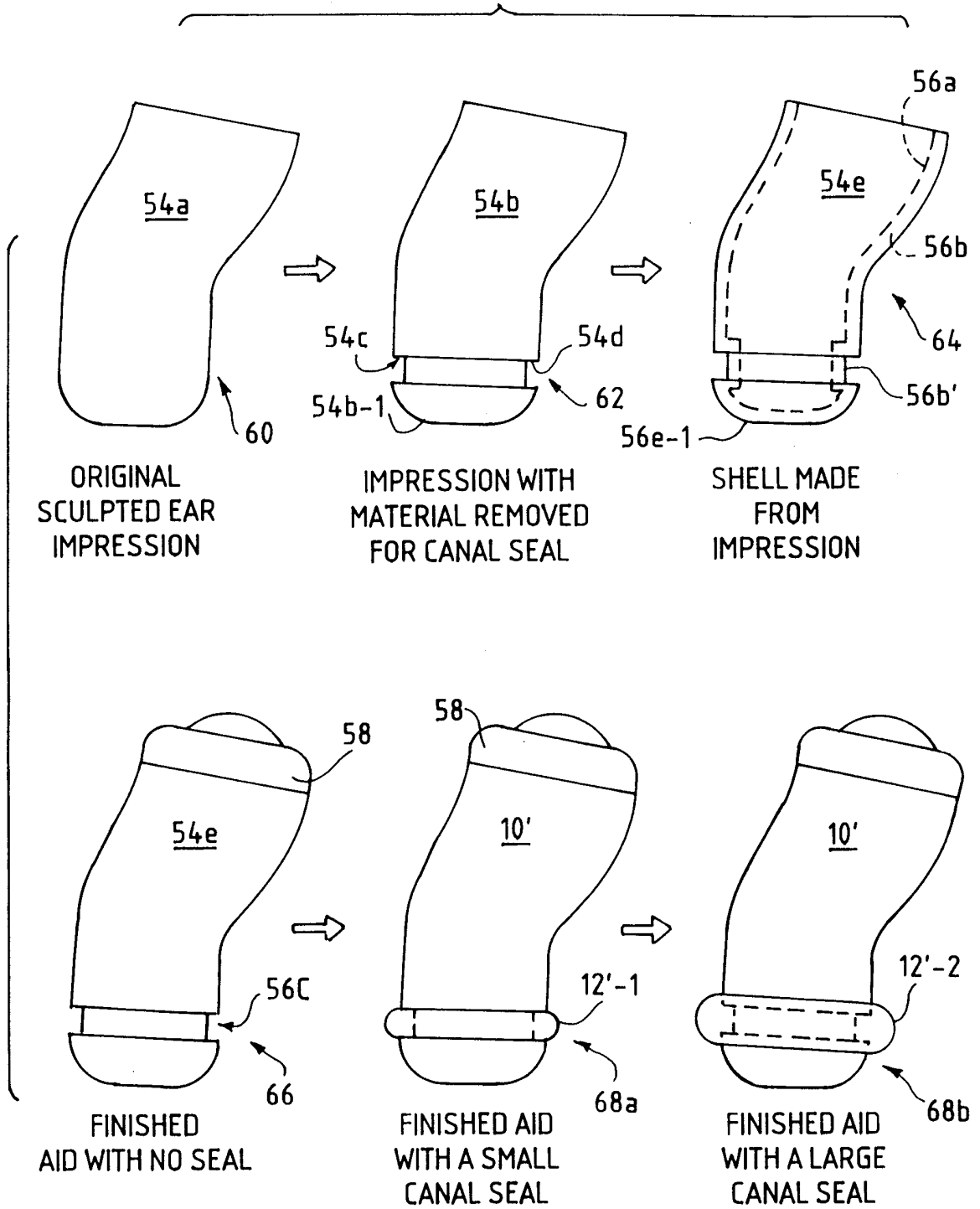


FIG. 4

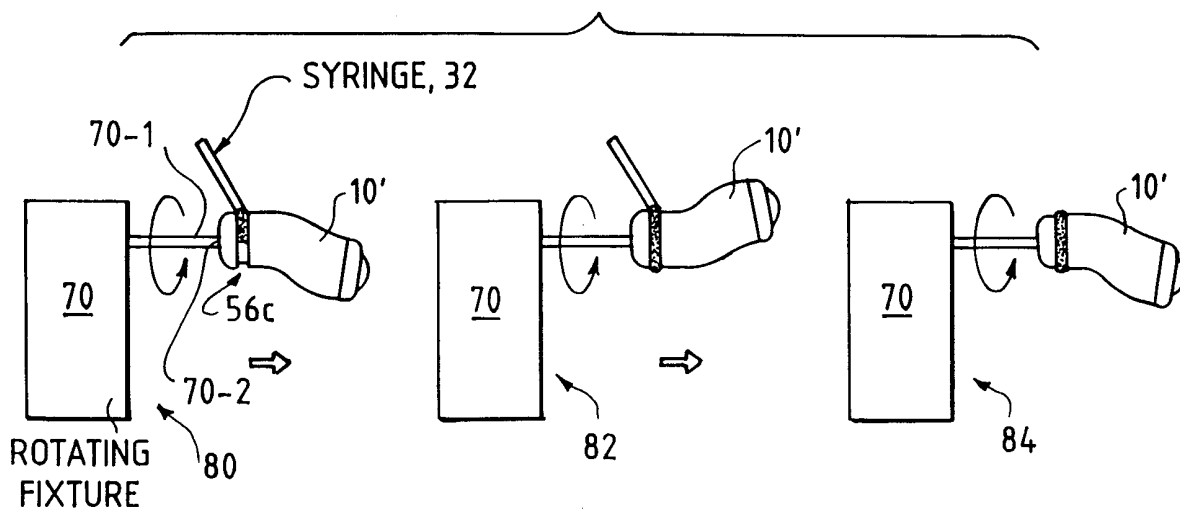


FIG. 5

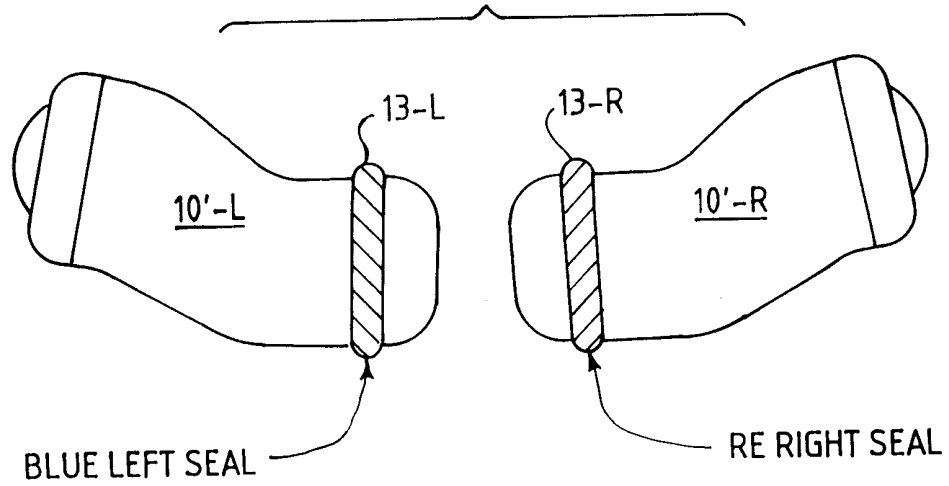


FIG. 6A

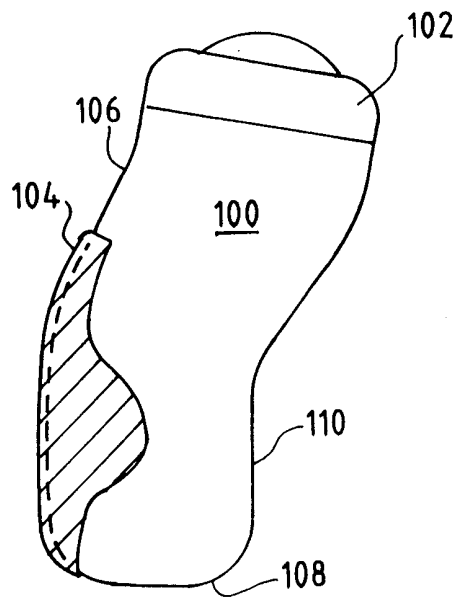
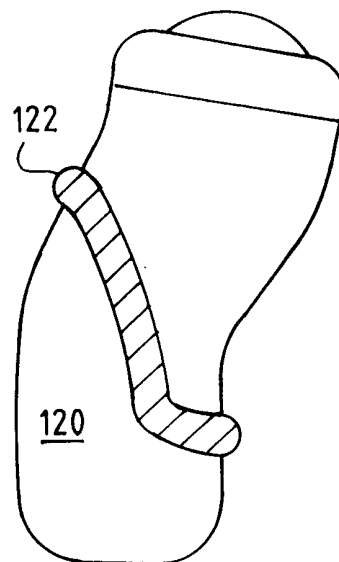


FIG. 6B



INTERNATIONAL SEARCH REPORT

International application No.
PCT/US99/09144

A. CLASSIFICATION OF SUBJECT MATTER		
IPC(6) : H04R 25/00 US CL : 381/322, 328, 380; 181/130; 264/134 According to International Patent Classification (IPC) or to both national classification and IPC		
B. FIELDS SEARCHED		
Minimum documentation searched (classification system followed by classification symbols) U.S. : 381/322, 328, 380, 329, 330, 327, 326; 181/130, 129, 135		
Documentation searched other than minimum documentation to the extent that such documents are included in the fields searched NONE		
Electronic data base consulted during the international search (name of data base and, where practicable, search terms used) NONE		
C. DOCUMENTS CONSIDERED TO BE RELEVANT		
Category*	Citation of document, with indication, where appropriate, of the relevant passages	Relevant to claim No.
X --- A	US 4,870,688 A (VOROBA et al.) 26 September 1989, figures 1-2, col. 9, lines 1-24.	1-4, 7-10 and 20-25 --- 5
A	US 4,834,927 A (BIRKHOLZ et al.) 30 May 1989, figures 1-3	11-19 and 26-28
<input type="checkbox"/> Further documents are listed in the continuation of Box C. <input type="checkbox"/> See patent family annex.		
* Special categories of cited documents: "A" document defining the general state of the art which is not considered to be of particular relevance "E" earlier document published on or after the international filing date "I" document which may throw doubts on priority claim(s) or which is cited to establish the publication date of another citation or other special reason (as specified) "O" document referring to an oral disclosure, use, exhibition or other means "P" document published prior to the international filing date but later than the priority date claimed		"T" later document published after the international filing date or priority date and not in conflict with the application but cited to understand the principle or theory underlying the invention "X" document of particular relevance; the claimed invention cannot be considered novel or cannot be considered to involve an inventive step when the document is taken alone "Y" document of particular relevance; the claimed invention cannot be considered to involve an inventive step when the document is combined with one or more other such documents, such combination being obvious to a person skilled in the art "&" document member of the same patent family
Date of the actual completion of the international search 19 JUNE 1999		Date of mailing of the international search report 12 AUG 1999
Name and mailing address of the ISA/US Commissioner of Patents and Trademarks Box PCT Washington, D.C. 20231 Facsimile No. (703) 305-3230		Authorized officer HUYEN LE <i>James R. Matthews</i> Telephone No. (703) 305-4844