



US00D342212S

United States Patent [19]

[11] Patent Number: Des. 342,212

Li

[45] Date of Patent: ** Dec. 14, 1993

[54] PORTABLE ELECTRONIC HOME ALARM

3,641,540 2/1972 Cutler et al. 340/545

[75] Inventor: Francis Li, Aberdeen, Hong Kong

3,641,571 2/1972 Kitman 340/545

[73] Assignee: Quorum Ventures, Inc., Phoenix, Ariz.

4,418,337 11/1983 Bader 340/571

4,633,232 12/1986 Nelson et al. 340/571

[**] Term: 14 Years

Primary Examiner—Wallace R. Burke
Assistant Examiner—Marcus Jackson
Attorney, Agent, or Firm—David G. Rosenbaum

[21] Appl. No.: 869,156

[57] CLAIM

[22] Filed: Apr. 14, 1992

The ornamental design for a portable electric home alarm, as shown and described.

[52] U.S. Cl. D10/106

[58] Field of Search D10/104, 106, 121;
340/384 E, 326, 327, 566, 571, 573, 575, 691,
692, 693, 570, 572

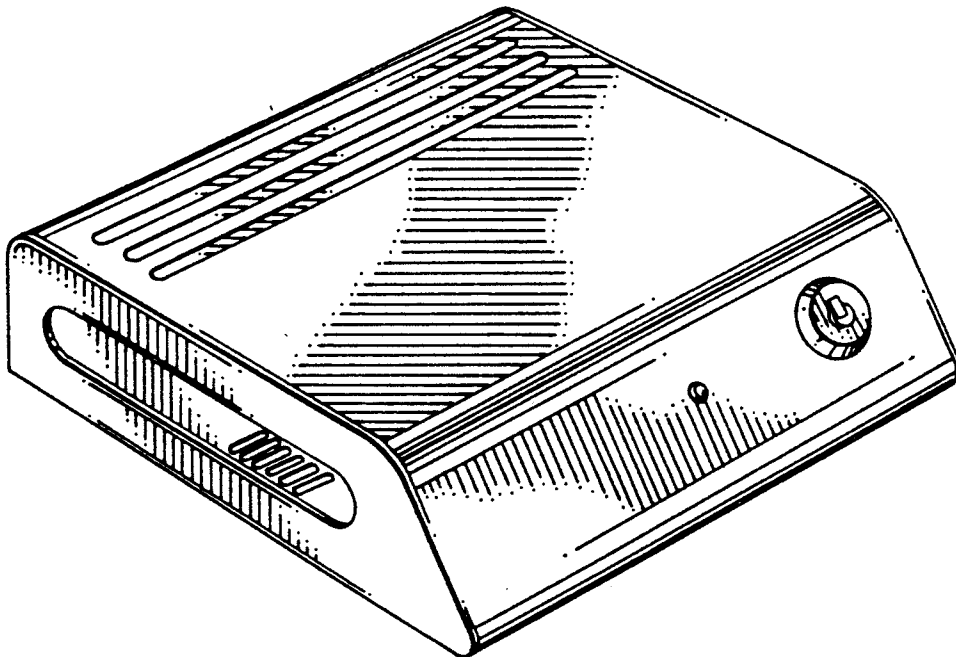
DESCRIPTION

[56] References Cited

U.S. PATENT DOCUMENTS

- D. 281,401 11/1985 Perrins D10/106
- D. 305,211 12/1989 Horn D10/106
- D. 328,260 7/1992 Zoew et al. D10/106

FIG. 1 is a perspective view of the portable electric home alarm showing a new design;
FIG. 2 is a side elevational view thereof;
FIG. 3 is a top elevational view thereof;
FIG. 4 is a bottom elevational view thereof;
FIG. 5 is a front elevational view thereof; and,
FIG. 6 is a rear elevational view thereof.



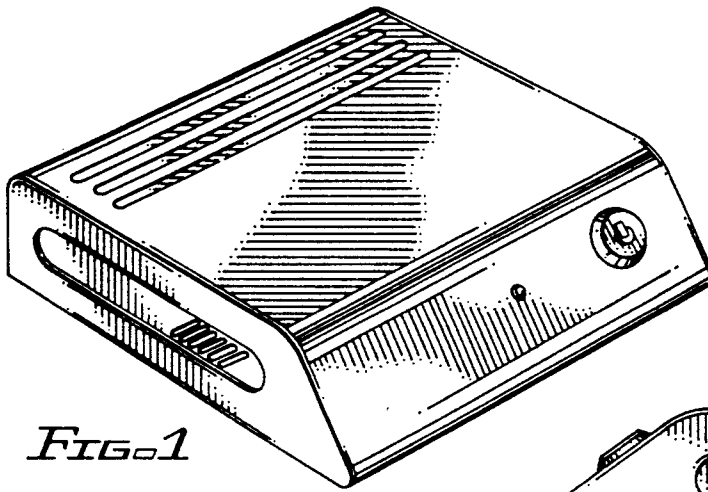


FIG. 1

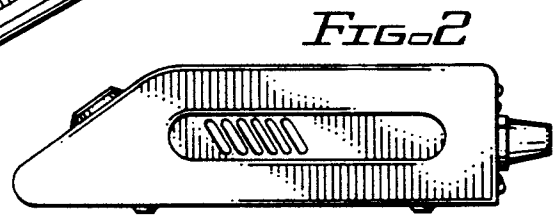


FIG. 2

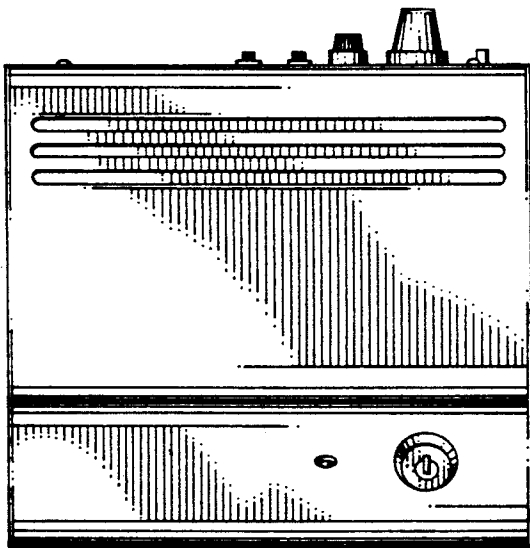


FIG. 3

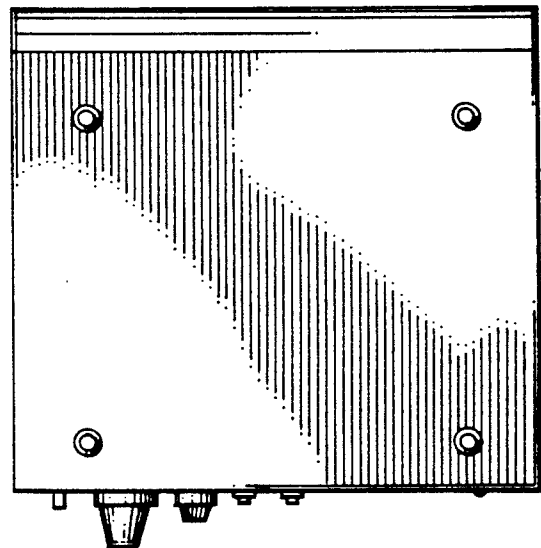


FIG. 4

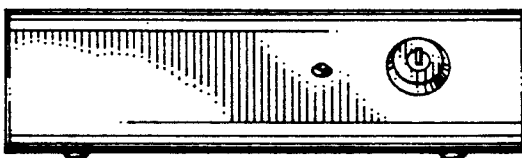


FIG. 5

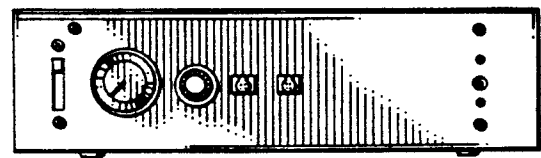


FIG. 6