



US00D684346S

(12) **United States Design Patent**
Rinaldi et al.

(10) **Patent No.:** **US D684,346 S**

(45) **Date of Patent:** **** Jun. 18, 2013**

(54) **VOLLEY BALL THEMED SPORT SANDAL**

D639,536 S * 6/2011 Delavaldene et al. D2/916

* cited by examiner

(76) Inventors: **Deborah Rinaldi**, Mt. Arlington, NJ
(US); **Noga Ruttenberg**, Rye, NY (US)

Primary Examiner — Robert M Spear
Assistant Examiner — Rashida C McCoy
(74) *Attorney, Agent, or Firm* — Raymond Jones

(**) **Term:** **14 Years**

(57) **CLAIM**
The ornamental design for a volley ball themed sport sandal,
as shown and described.

(21) Appl. No.: **29/371,884**

(22) Filed: **Dec. 13, 2011**

(51) **LOC (9) Cl.** **02-04**

DESCRIPTION

(52) **U.S. Cl.**

USPC **D2/916**

(58) **Field of Classification Search**

USPC D2/897, 898, 900, 916, 917, 946,
D2/969, 972; 36/45, 50.1, 51, 83, 88, 113,
36/114, 8.1, 9 R, 11.5, 58.5

See application file for complete search history.

FIG. 1 is a top view of the volley ball themed sport sandal showing my new design;
FIG. 2 is a left side view of the volley ball themed sport sandal of FIG. 1;
FIG. 3 is a right side view of the volley ball themed sport sandal of FIG. 1;
FIG. 4 is a rear view of the volley ball themed sport sandal of FIG. 1; and,
FIG. 5 is a front view of the volley ball themed sport sandal of FIG. 1.

The bottom of the sport sandal is flat and is unornamented. The broken lines in the figures are included to show the structure of the sport sandal, and form no part of the claimed design.

(56) **References Cited**

U.S. PATENT DOCUMENTS

D403,493 S *	1/1999	McKinley	D2/900
D454,425 S *	3/2002	Boncutter	D2/919
D485,970 S *	2/2004	Magro	D2/916
D543,345 S *	5/2007	Andersen et al.	D2/969
D558,958 S *	1/2008	Motomura	D2/916
D581,139 S *	11/2008	Cohen	D2/897

1 Claim, 3 Drawing Sheets

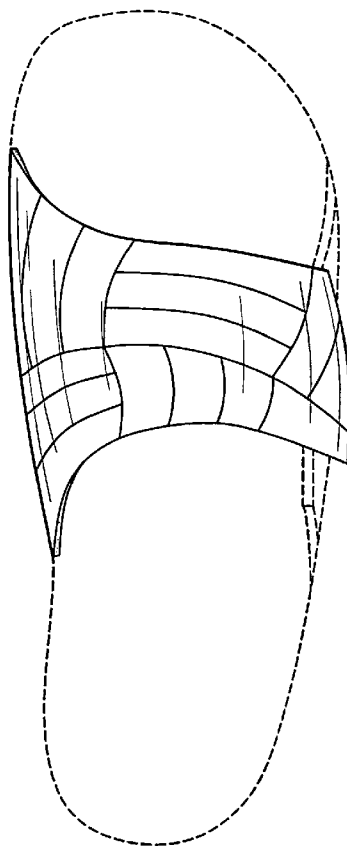


FIG. 1

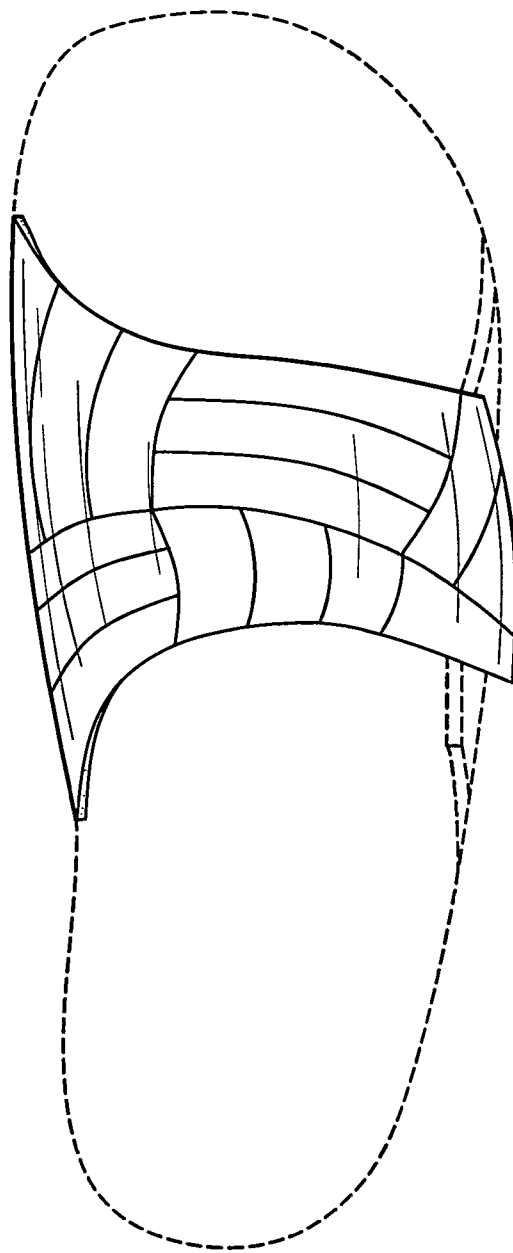


FIG. 2

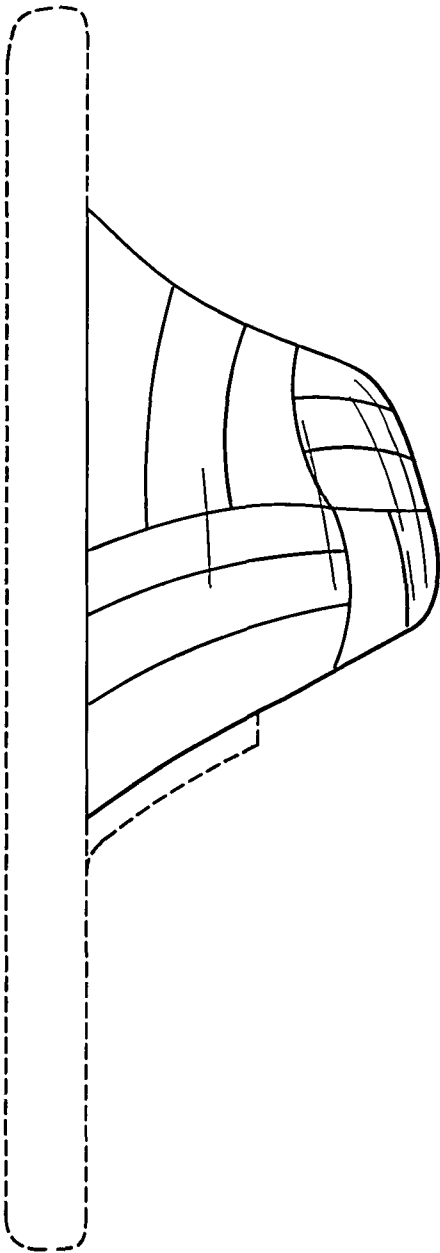


FIG. 3

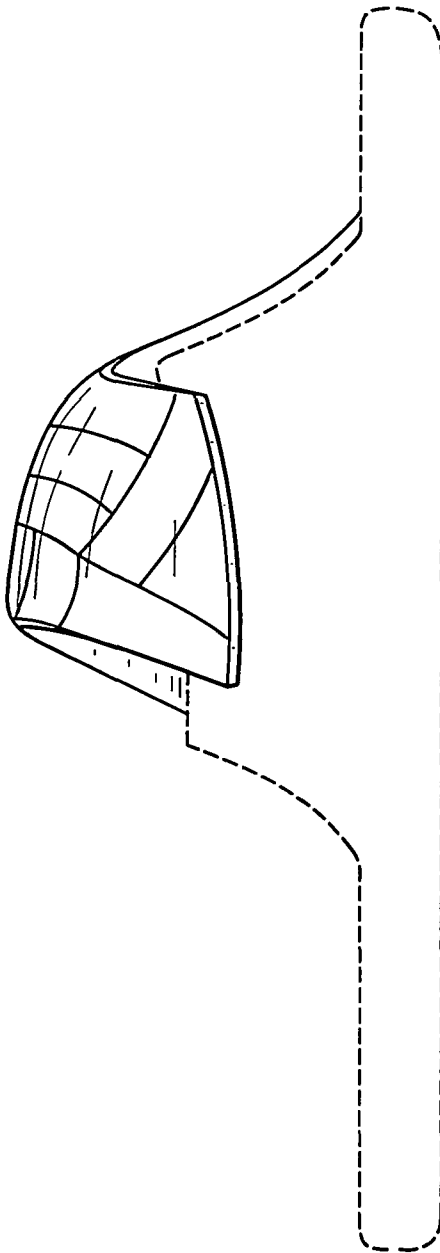


FIG. 4

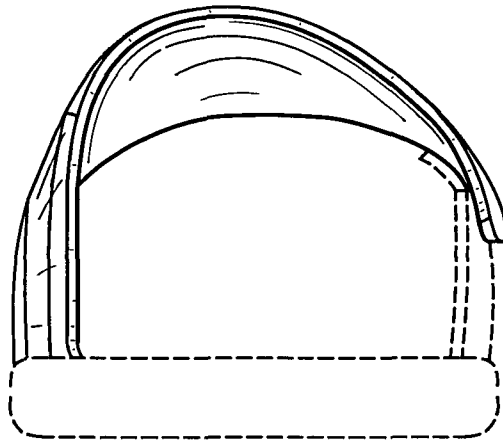
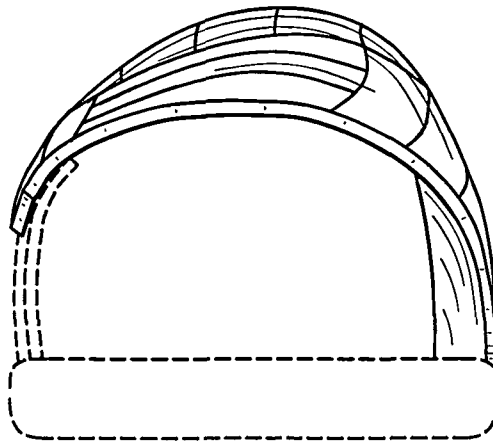


FIG. 5



UNITED STATES PATENT AND TRADEMARK OFFICE
CERTIFICATE OF CORRECTION

PATENT NO. : D684,346 S
APPLICATION NO. : 29/371884
DATED : June 18, 2013
INVENTOR(S) : Deborah Rinaldi

Page 1 of 1

It is certified that error appears in the above-identified patent and that said Letters Patent is hereby corrected as shown below:

Title Page: Sole Inventor is Deborah Rinaldi, of Mt. Arlington, NJ, delete "Noga Ruttenberg".

Signed and Sealed this
Twenty-fourth Day of September, 2013



Teresa Stanek Rea
Deputy Director of the United States Patent and Trademark Office