

(19) World Intellectual Property Organization
International Bureau



(43) International Publication Date
11 June 2009 (11.06.2009)

(10) International Publication Number
WO 2009/073806 A3

- (51) International Patent Classification:
G01C 21/36 (2006.01) B60R 16/037 (2006.01)
B60R 11/02 (2006.01)
- (21) International Application Number:
PCT/US2008/085570
- (22) International Filing Date:
4 December 2008 (04.12.2008)
- (25) Filing Language: English
- (26) Publication Language: English
- (30) Priority Data:
61/005,419 5 December 2007 (05.12.2007) US
- (71) Applicant (for all designated States except US): **JOHNSON CONTROLS TECHNOLOGY COMPANY** [US/US]; 915 East 32nd Street, Holland, MI 49423 (US).
- (72) Inventors; and
- (75) Inventors/Applicants (for US only): **CHUTORASH, Richard, J.** [US/US]; 5360 Old Mill Road, Oakland Township, MI 48306 (US). **ANDERSON, Elisabet** [US/US]; 290 Sandy Court, Holland, MI 49424 (US). **EICH, Rodger, W.** [US/US]; 34 East 14th Street, Holland, MI

- 49423 (US). **GOLDEN, Jeffrey** [US/US]; 3033 Foxboro Lane, Holland, MI 49424 (US). **VANDERWALL, Philip, J.** [US/US]; 0-3705 West Leonard, Marne, MI 49435 (US). **SIX, Pascal** [FR/FR]; Parc Saint Christophe 10, Avenue De, L'entreprise Bp 78587 Cergy, 95892 Cergy Pontoise Cedex (FR). **SIMS, Michael, J.** [US/US]; 10662 Deer Ridge Court, Zeeland, MI 49464 (US).
- (74) Agent: **RAWLINS, Andrew, E.**; 3000 K Street NW, Suite 500, Washington, DC 20007-5143 (US).
- (81) Designated States (unless otherwise indicated, for every kind of national protection available): AE, AG, AL, AM, AO, AT, AU, AZ, BA, BB, BG, BH, BR, BW, BY, BZ, CA, CH, CN, CO, CR, CU, CZ, DE, DK, DM, DO, DZ, EC, EE, EG, ES, FI, GB, GD, GE, GH, GM, GT, HN, HR, HU, ID, IL, IN, IS, JP, KE, KG, KM, KN, KP, KR, KZ, LA, LC, LK, LR, LS, LT, LU, LY, MA, MD, ME, MG, MK, MN, MW, MX, MY, MZ, NA, NG, NI, NO, NZ, OM, PG, PH, PL, PT, RO, RS, RU, SC, SD, SE, SG, SK, SL, SM, ST, SV, SY, TJ, TM, TN, TR, TT, TZ, UA, UG, US, UZ, VC, VN, ZA, ZM, ZW.
- (84) Designated States (unless otherwise indicated, for every kind of regional protection available): ARIPO (BW, GH,

[Continued on next page]

(54) Title: VEHICLE USER INTERFACE SYSTEMS AND METHODS

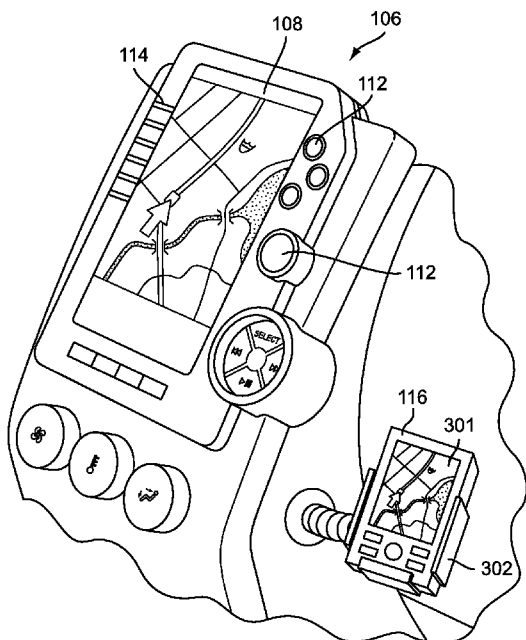


FIG. 3

(57) Abstract: A control system for mounting in a vehicle and for providing information to a portable electronic device for processing by the portable electronic device is shown and described. The control system includes a first interface for communicating with the portable electronic device and a memory device. The control system also includes a processing circuit communicably coupled to the first interface and the memory device, the processing circuit configured to extract information from the memory device and to provide the information to the first interface so that the first interface communicates the information to the portable electronic device. The processing circuit is further configured to determine the capabilities of the portable electronic device based on data received from the portable electronic device via the first interface and to determine whether or not to communicate the information to the portable electronic device based on the determined capabilities.

WO 2009/073806 A3



GM, KE, LS, MW, MZ, NA, SD, SL, SZ, TZ, UG, ZM, ZW), Eurasian (AM, AZ, BY, KG, KZ, MD, RU, TJ, TM), European (AT, BE, BG, CH, CY, CZ, DE, DK, EE, ES, FI, FR, GB, GR, HR, HU, IE, IS, IT, LT, LU, LV, MC, MT, NL, NO, PL, PT, RO, SE, SI, SK, TR), OAPI (BF, BJ, CF, CG, CI, CM, GA, GN, GQ, GW, ML, MR, NE, SN, TD, TG).

— before the expiration of the time limit for amending the claims and to be republished in the event of receipt of amendments (Rule 48.2(h))

(88) Date of publication of the international search report:
10 December 2009

Published:

— with international search report (Art. 21(3))

INTERNATIONAL SEARCH REPORT

International application No
PCT/US2008/085570

A. CLASSIFICATION OF SUBJECT MATTER
INV. G01C21/36 B60R11/02
ADD. B60R16/037

According to International Patent Classification (IPC) or to both national classification and IPC

B. FIELDS SEARCHED

Minimum documentation searched (classification system followed by classification symbols)
G01C B60R H04M

Documentation searched other than minimum documentation to the extent that such documents are included in the fields searched

Electronic data base consulted during the international search (name of data base and, where practical, search terms used)
EPO-Internal, WPI Data

C. DOCUMENTS CONSIDERED TO BE RELEVANT

Category*	Citation of document, with indication, where appropriate, of the relevant passages	Relevant to claim No.
X	US 7 228 211 B1 (LOWREY LARKIN HILL [US] ET AL) 5 June 2007 (2007-06-05) figure 2 column 3, line 11 - line 29 column 4, line 45 - line 57 column 7, line 50 - column 9, line 4 column 12, line 11 - line 31 column 13, line 15 - line 27	1-5
X	EP 1 560 200 A (HARMAN BECKER AUTOMOTIVE SYS [DE]; DAIMLER CHRYSLER AG [DE]) 3 August 2005 (2005-08-03) the whole document	1-5

Further documents are listed in the continuation of Box C.

See patent family annex.

* Special categories of cited documents :

- *A* document defining the general state of the art which is not considered to be of particular relevance
- *E* earlier document but published on or after the international filing date
- *L* document which may throw doubts on priority claim(s) or which is cited to establish the publication date of another citation or other special reason (as specified)
- *O* document referring to an oral disclosure, use, exhibition or other means
- *P* document published prior to the international filing date but later than the priority date claimed

- *T* later document published after the international filing date or priority date and not in conflict with the application but cited to understand the principle or theory underlying the invention
- *X* document of particular relevance; the claimed invention cannot be considered novel or cannot be considered to involve an inventive step when the document is taken alone
- *Y* document of particular relevance; the claimed invention cannot be considered to involve an inventive step when the document is combined with one or more other such documents, such combination being obvious to a person skilled in the art.
- * & * document member of the same patent family

Date of the actual completion of the international search

27 May 2009

Date of mailing of the international search report

22/10/2009

Name and mailing address of the ISA/

European Patent Office, P.B. 5818 Patentlaan 2
NL - 2280 HV Rijswijk
Tel. (+31-70) 340-2040,
Fax: (+31-70) 340-3016

Authorized officer

Bruinsma, Maarten

INTERNATIONAL SEARCH REPORT

International application No

PCT/US2008/085570

C(Continuation). DOCUMENTS CONSIDERED TO BE RELEVANT

Category*	Citation of document, with indication, where appropriate, of the relevant passages	Relevant to claim No.
X	US 2001/033225 A1 (RAZAVI BEHFAR [US] ET AL) 25 October 2001 (2001-10-25) figure 2 paragraphs [0010], [0023] paragraphs [0033] - [0036] paragraphs [0044] - [0047] paragraphs [0060] - [0062]	1-5
X	US 6 430 164 B1 (JONES MARC T [US] ET AL) 6 August 2002 (2002-08-06) column 6, line 16 - line 51 column 8, line 57 - column 9, line 63 column 13, line 61 - column 14, line 41	1-5
X	US 2005/245272 A1 (SPAUR CHARLES W [US] ET AL) 3 November 2005 (2005-11-03) figures 1,4,10,12,16 paragraphs [0033] - [0039] paragraphs [0055], [0058], [0063], [0068], [0069] paragraphs [0080], [0083], [0084], [0104], [0105], [0109] - [0111]	1
X	EP 1 058 220 A (DAIMLER CHRYSLER AG [DE]) 6 December 2000 (2000-12-06) the whole document	1
A	US 2005/197747 A1 (RAPPAPORT JASON [US] ET AL) 8 September 2005 (2005-09-08) the whole document	1-5

INTERNATIONAL SEARCH REPORT

International application No.
PCT/US2008/085570

Box No. II Observations where certain claims were found unsearchable (Continuation of item 2 of first sheet)

This international search report has not been established in respect of certain claims under Article 17(2)(a) for the following reasons:

1. Claims Nos.:
because they relate to subject matter not required to be searched by this Authority, namely:

2. Claims Nos.:
because they relate to parts of the international application that do not comply with the prescribed requirements to such an extent that no meaningful international search can be carried out, specifically:

3. Claims Nos.:
because they are dependent claims and are not drafted in accordance with the second and third sentences of Rule 6.4(a).

Box No. III Observations where unity of invention is lacking (Continuation of item 3 of first sheet)

This International Searching Authority found multiple inventions in this international application, as follows:

see additional sheet

1. As all required additional search fees were timely paid by the applicant, this international search report covers allsearchable claims.

2. As all searchable claims could be searched without effort justifying an additional fees, this Authority did not invite payment of additional fees.

3. As only some of the required additional search fees were timely paid by the applicant, this international search report covers only those claims for which fees were paid, specifically claims Nos.:

4. No required additional search fees were timely paid by the applicant. Consequently, this international search report is restricted to the invention first mentioned in the claims; it is covered by claims Nos.:

1-5

Remark on Protest

- The additional search fees were accompanied by the applicant's protest and, where applicable, the payment of a protest fee.
- The additional search fees were accompanied by the applicant's protest but the applicable protest fee was not paid within the time limit specified in the invitation.
- No protest accompanied the payment of additional search fees.

FURTHER INFORMATION CONTINUED FROM PCT/ISA/ 210

This International Searching Authority found multiple (groups of) inventions in this international application, as follows:

1. claims: 1-5

speech recognition in a vehicle-mounted control system

2. claim: 6

Formatting of information for further processing by a portable electronic device.

3. claims: 7,8,13,14

Control system for vehicle having a second interface or other input to receive sensor/location information.

4. claims: 9-12

Disabling functionality of portable electronic device by control system depending on vehicle operational mode.

5. claims: 15,16

Providing software update information to/from a portable electronic device.

INTERNATIONAL SEARCH REPORT

Information on patent family members

International application No

PCT/US2008/085570

Patent document cited in search report	Publication date	Publication date	Patent family member(s)	Publication date
US 7228211	B1	05-06-2007	NONE	
EP 1560200	A	03-08-2005	AT 415684 T CA 2494795 A1 CN 1655233 A JP 2005215694 A KR 20050077806 A US 2005267759 A1	15-12-2008 29-07-2005 17-08-2005 11-08-2005 03-08-2005 01-12-2005
US 2001033225	A1	25-10-2001	NONE	
US 6430164	B1	06-08-2002	AU 5876200 A WO 0079745 A1	09-01-2001 28-12-2000
US 2005245272	A1	03-11-2005	CA 2564370 A1 EP 1774755 A2 JP 2008500610 T US 2005266879 A1 WO 2005109834 A2	17-11-2005 18-04-2007 10-01-2008 01-12-2005 17-11-2005
EP 1058220	A	06-12-2000	DE 19925570 A1 ES 2215517 T3 JP 2001045181 A	14-12-2000 16-10-2004 16-02-2001
US 2005197747	A1	08-09-2005	WO 2005086673 A2	22-09-2005