

(19) World Intellectual Property Organization
International Bureau



(43) International Publication Date
17 January 2008 (17.01.2008)

PCT

(10) International Publication Number
WO 2008/007241 A3

- (51) International Patent Classification:
A61F 13/56 (2006.01) A61F 13/49 (2006.01)
- (21) International Application Number:
PCT/IB2007/052141
- (22) International Filing Date: 6 June 2007 (06.06.2007)
- (25) Filing Language: English
- (26) Publication Language: English
- (30) Priority Data:
60/811,614 7 June 2006 (07.06.2006) US
- (71) Applicant (for all designated States except US): **THE PROCTER & GAMBLE COMPANY** [US/US]; One Procter & Gamble Plaza, Cincinnati, Ohio 45202 (US).
- (72) Inventors; and
- (75) Inventors/Applicants (for US only): **KLINE, Mark, James** [US/US]; 6318 Alert New London Road, Okeana, Ohio 45053 (US). **RAYCHECK, Jeromy, Thomas** [US/US]; 310 Locust Forge Lane, Lebanon, Ohio 45036

(US). **AMIRPOUR, Mary Lee** [US/US]; 8077 Hunters Ridge Drive, West Chester, Ohio 45069 (US).

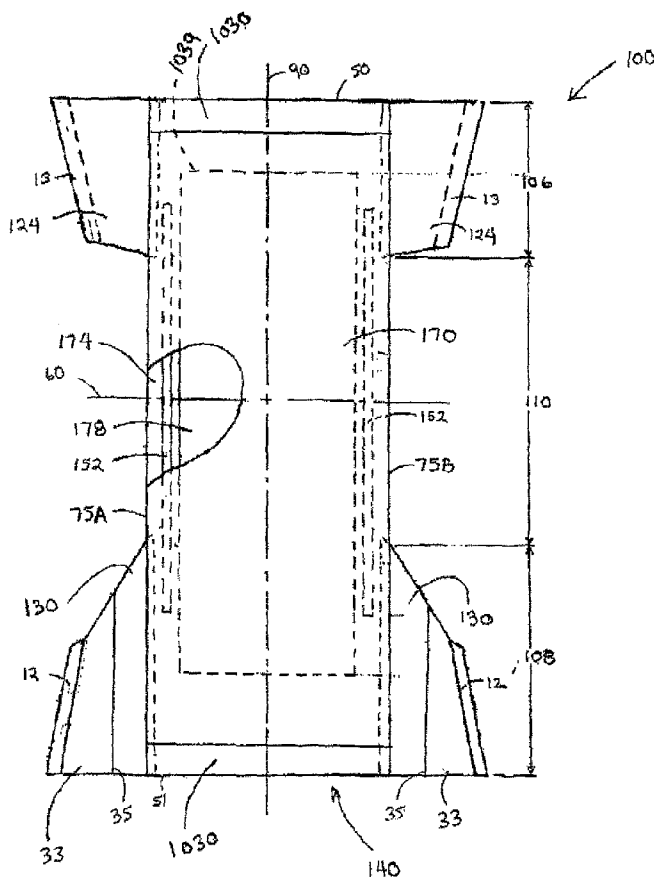
(74) Common Representative: **THE PROCTER & GAMBLE COMPANY**; c/o Eileen L. Hughett, Winton Hill Business Center, 6110 Center Hill Road, Cincinnati, OH 45224 (US).

(81) Designated States (unless otherwise indicated, for every kind of national protection available): AE, AG, AL, AM, AT, AU, AZ, BA, BB, BG, BH, BR, BW, BY, BZ, CA, CH, CN, CO, CR, CU, CZ, DE, DK, DM, DO, DZ, EC, EE, EG, ES, FI, GB, GD, GE, GH, GM, GT, HN, HR, HU, ID, IL, IN, IS, JP, KE, KG, KM, KN, KP, KR, KZ, LA, LC, LK, LR, LS, LT, LU, LY, MA, MD, ME, MG, MK, MN, MW, MX, MY, MZ, NA, NG, NI, NO, NZ, OM, PG, PH, PL, PT, RO, RS, RU, SC, SD, SE, SG, SK, SL, SM, SV, SY, TJ, TM, TN, TR, TT, TZ, UA, UG, US, UZ, VC, VN, ZA, ZM, ZW.

(84) Designated States (unless otherwise indicated, for every kind of regional protection available): ARIPO (BW, GH, GM, KE, LS, MW, MZ, NA, SD, SL, SZ, TZ, UG, ZM, ZW), Eurasian (AM, AZ, BY, KG, KZ, MD, RU, TJ, TM),

[Continued on next page]

(54) Title: ABSORBENT ARTICLE HAVING REFASTENABLE AND NON-REFASTENABLE SEAMS



(57) Abstract: A disposable absorbent article includes a first side panel, a second side panel, and an intermediate side panel. The first side panel is disposed in a first waist region, and the second side panel is disposed in a second waist region. Both the first and second side panels extend outward from a first longitudinal edge. The first side panel has a first stretchable width, and the second side panel has a second stretchable width. The intermediate side panel is joined to the second side panel thereby forming a non-refastenable seam and is joined to the first side panel thereby forming a refastenable seam. A gap disposed between the first side panel and non-refastenable seam having a gap width between about 1 percent to about 40 percent of the first stretchable width plus the second stretchable width.

WO 2008/007241 A3



European (AT, BE, BG, CH, CY, CZ, DE, DK, EE, ES, FI, FR, GB, GR, HU, IE, IS, IT, LT, LU, LV, MC, MT, NL, PL, PT, RO, SE, SI, SK, TR), OAPI (BF, BJ, CF, CG, CI, CM, GA, GN, GQ, GW, ML, MR, NE, SN, TD, TG).

— *before the expiration of the time limit for amending the claims and to be republished in the event of receipt of amendments*

Published:

— *with international search report*

(88) Date of publication of the international search report:

22 May 2008

INTERNATIONAL SEARCH REPORT

International application No
PCT/IB2007/052141A. CLASSIFICATION OF SUBJECT MATTER
INV. A61F13/56 A61F13/49

According to International Patent Classification (IPC) or to both national classification and IPC

B. FIELDS SEARCHED

Minimum documentation searched (classification system followed by classification symbols)
A61F

Documentation searched other than minimum documentation to the extent that such documents are included in the fields searched

Electronic data base consulted during the international search (name of data base and, where practical, search terms used)

EPO-Internal

C. DOCUMENTS CONSIDERED TO BE RELEVANT

| Category* | Citation of document, with indication, where appropriate, of the relevant passages | Relevant to claim No. |
|-----------|---|-----------------------|
| X | US 2002/112276 A1 (RUMAN MARCILLE FAYE [US] ET AL) 22 August 2002 (2002-08-22) paragraph [0074]; figure 9 | 1-7 |
| X | EP 1 559 388 A (KIMBERLY CLARK CO [US]) 3 August 2005 (2005-08-03) paragraphs [0005], [0084], [0085], [0102], [0103]; claims 16-18; figures | 1-7 |
| X | EP 1 600 132 A (HYGA SA [CH]) 30 November 2005 (2005-11-30) paragraphs [0026], [0028], [0029]; claims; figures | 1-6 |
| A | US 2004/002691 A1 (POPP ROBERT LEE [US] ET AL) 1 January 2004 (2004-01-01) claims 60-63; figures 3,8 | 7 |
| | -/-- | |

 Further documents are listed in the continuation of Box C. See patent family annex.

* Special categories of cited documents :

- *A* document defining the general state of the art which is not considered to be of particular relevance
- *E* earlier document but published on or after the international filing date
- *L* document which may throw doubts on priority claim(s) or which is cited to establish the publication date of another citation or other special reason (as specified)
- *O* document referring to an oral disclosure, use, exhibition or other means
- *P* document published prior to the international filing date but later than the priority date claimed

- *T* later document published after the international filing date or priority date and not in conflict with the application but cited to understand the principle or theory underlying the invention
- *X* document of particular relevance; the claimed invention cannot be considered novel or cannot be considered to involve an inventive step when the document is taken alone
- *Y* document of particular relevance; the claimed invention cannot be considered to involve an inventive step when the document is combined with one or more other such documents, such combination being obvious to a person skilled in the art.
- *&* document member of the same patent family

Date of the actual completion of the international search

10 March 2008

Date of mailing of the international search report

19/03/2008

Name and mailing address of the ISA/

European Patent Office, P.B. 5818 Patentlaan 2
NL - 2280 HV Rijswijk
Tel. (+31-70) 340-2040, Tx. 31 651 epo nl,
Fax: (+31-70) 340-3016

Authorized officer

Douskas, K

INTERNATIONAL SEARCH REPORT

International application No
PCT/IB2007/052141

C(Continuation). DOCUMENTS CONSIDERED TO BE RELEVANT

| Category* | Citation of document, with indication, where appropriate, of the relevant passages | Relevant to claim No. |
|-----------|--|-----------------------|
| X | US 2004/039364 A1 (KARAMI HAMZEH [US]) 26 February 2004 (2004-02-26) paragraph [0145] paragraphs [0127] - [0130], [0150], [0151]; claims; figures ----- | 1-6 |

INTERNATIONAL SEARCH REPORT

Information on patent family members

| |
|---|
| International application No PCT/IB2007/052141 |
|---|

| Patent document cited in search report | A1 | Publication date | Patent family member(s) | Publication date |
|--|----|------------------|--|--|
| US 2002112276 | A1 | 22-08-2002 | NONE | |
| EP 1559388 | A | 03-08-2005 | EP 1559386 A2 EP 1829513 A2 | 03-08-2005 05-09-2007 |
| EP 1600132 | A | 30-11-2005 | NONE | |
| US 2004002691 | A1 | 01-01-2004 | AU 2003234163 A1 BR PI0311797 A EP 1517661 A1 MX PA04012398 A WO 2004002388 A1 | 19-01-2004 14-08-2007 30-03-2005 25-02-2005 08-01-2004 |
| US 2004039364 | A1 | 26-02-2004 | NONE | |