



US00D995333S

(12) **United States Design Patent**
Park

(10) **Patent No.:** **US D995,333 S**

(45) **Date of Patent:** **** Aug. 15, 2023**

(54) **LENGTH MEASURING APPARATUS**

6,167,635 B1 * 1/2001 Lin G01B 3/1005

(71) Applicant: **BAGEL LABS CO., LTD.**,
Seongnam-Si (KR)

D686,514 S * 7/2013 Robinson D10/72

D686,515 S * 7/2013 Robinson D10/72

10,393,490 B2 * 8/2019 Park G01B 3/1041

2003/0204966 A1 * 11/2003 Hsu G01B 3/1041

(72) Inventor: **Soo-Hong Park**, Seoul (KR)

2007/0108331 A1 * 5/2007 Terutake G01B 3/1005

(**) Term: **15 Years**

242/379

(Continued)

(21) Appl. No.: **35/513,078**

FOREIGN PATENT DOCUMENTS

(22) Filed: **Jun. 30, 2021**

CN 302908377 * 1/2014

CN 305624179 * 6/2019

(Continued)

(80) **Hague Agreement Data**

Int. Filing Date: **Jun. 30, 2021**

Int. Reg. No.: **DM/217483**

Int. Reg. Date: **Jun. 30, 2021**

Int. Reg. Pub. Date: **Dec. 3, 2021**

OTHER PUBLICATIONS

Stanley Store,Fatmax Tape Measure,Date first available Apr. 1, 2004, [online]retrieved Oct. 27, 2022,available from https://www.amazon.com/DP/B00002PV66 (Year: 2004).*

(Continued)

(30) **Foreign Application Priority Data**

May 28, 2021 (KR) 30-2021-0025386

(51) **LOC (14) Cl.** **10-04**

(52) **U.S. Cl.** **D10/72**

USPC **D10/72**

(58) **Field of Classification Search**

USPC D10/46, 65, 70-74

CPC G01B 2003/1035; G01B 2003/1012; G01B

3/1041; G01B 3/1089; G01B 3/1056;

G01B 3/1043; G01B 3/1084; G01B

3/1005; G01B 3/102; G01B 3/56; G01B

5/0009; G01B 3/12; G01B 7/026; G01B

3/1069; G01B 2003/1053; G01B 3/1061;

B43L 7/10; B43L 7/0275; B43L 7/12;

B27B 27/08; B23D 47/02; G01D 5/12

See application file for complete search history.

(56) **References Cited**

U.S. PATENT DOCUMENTS

D419,081 S * 1/2000 Evans, Jr. D10/72

6,032,379 A * 3/2000 Usami G01B 3/1056

33/758

Primary Examiner — Keli L Hill

(74) *Attorney, Agent, or Firm* — Rabin & Berdo, P.C.

(57) **CLAIM**

The ornamental design for a length measuring apparatus, as shown and described.

DESCRIPTION

1. Length measuring apparatus

1.1 : Perspective

1.2 : Front

1.3 : Back

1.4 : Top

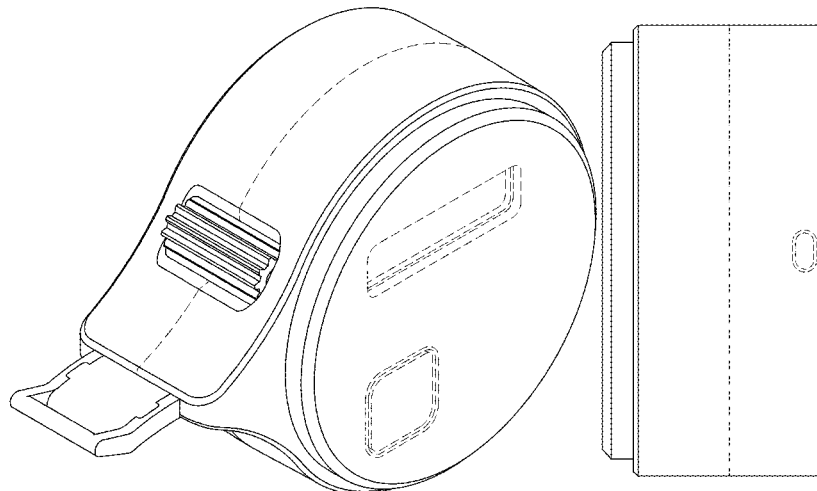
1.5 : Bottom

1.6 : Left

1.7 : Right

The parts shown by means of broken lines in the reproductions are not part of the claimed design.

1 Claim, 7 Drawing Sheets



(56)

References Cited

U.S. PATENT DOCUMENTS

2008/0086904	A1*	4/2008	Murray	G01B 3/1005 33/767
2008/0184581	A1*	8/2008	Huang	G01B 3/1041 33/769
2011/0179664	A1*	7/2011	Delneo	G01B 3/1056 33/770
2020/0025546	A1*	1/2020	Henderson	G01B 3/1084
2021/0207936	A1*	7/2021	Nelson	G01B 3/1048

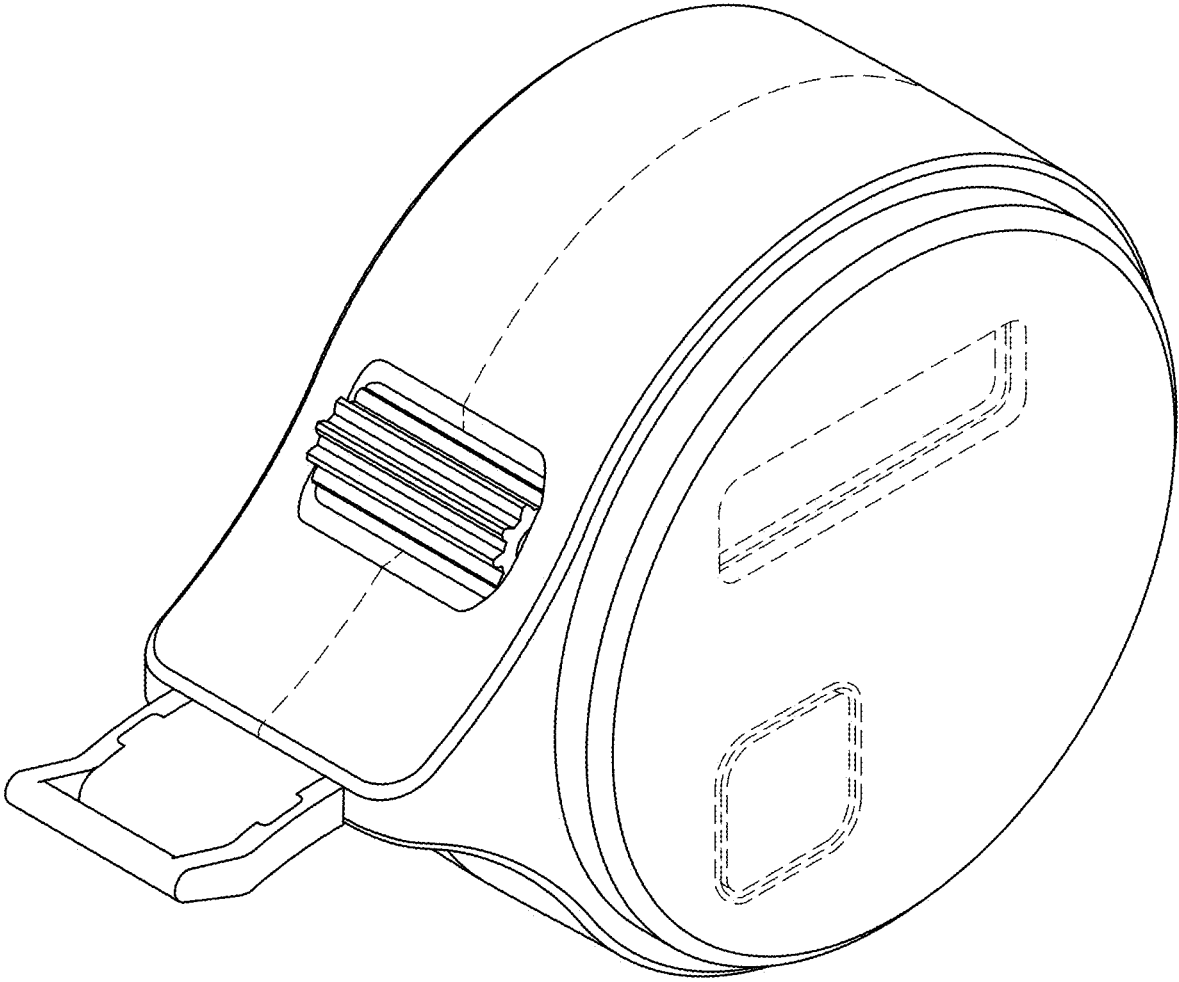
FOREIGN PATENT DOCUMENTS

CN	307504403	*	12/2021
CN	307368458	*	3/2022
CN	307495119	*	4/2022
JP	D1663650	*	10/2019
KR	301172626.0000	*	10/2021

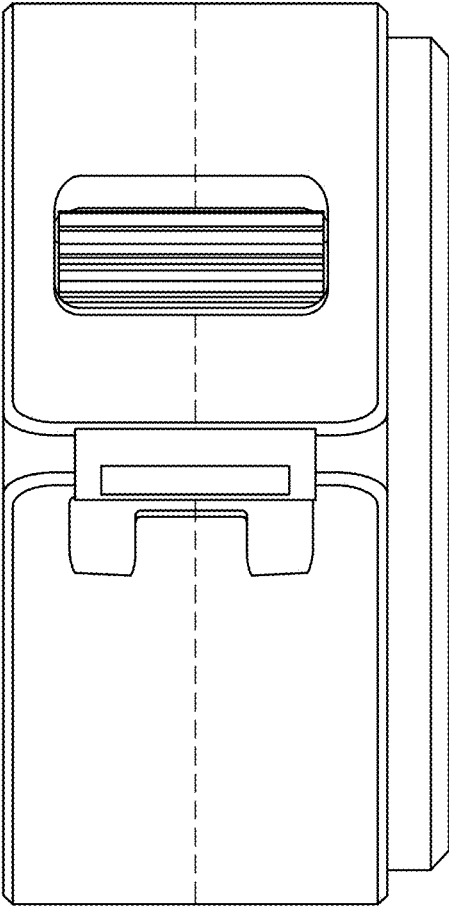
OTHER PUBLICATIONS

Generic, Tape Measure, Date first available Sep. 8, 2022, [online]retrieved Oct. 27, 2022,available from https://www.amazon.com/GXJTape-Diameter-Circumference-Tape-Measure/dp/B0BDKT3FJV/ref=sr_1_242_sspa?crid=2IY321FL1TQ77&keywords=tape+measure&qid=1666908245&qu=eyJxc2MiOiI2LjQyIiwicXNhIjojNS40OSIsbnF (Year: 2022).*

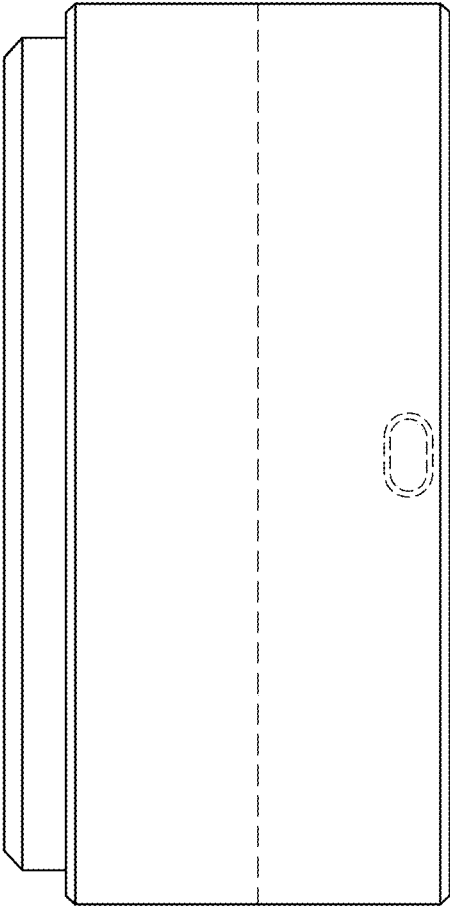
* cited by examiner



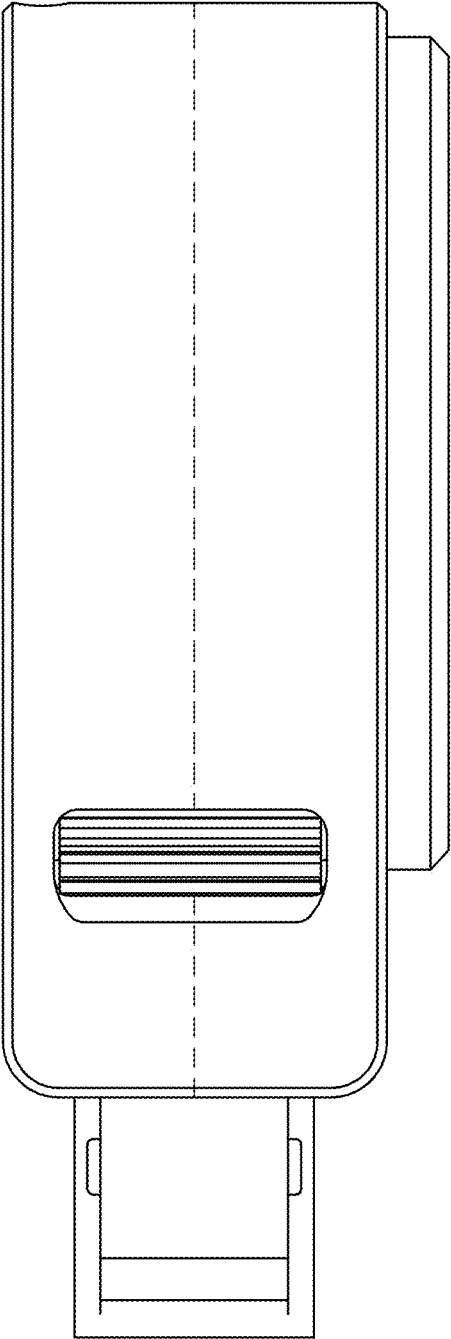
1.1



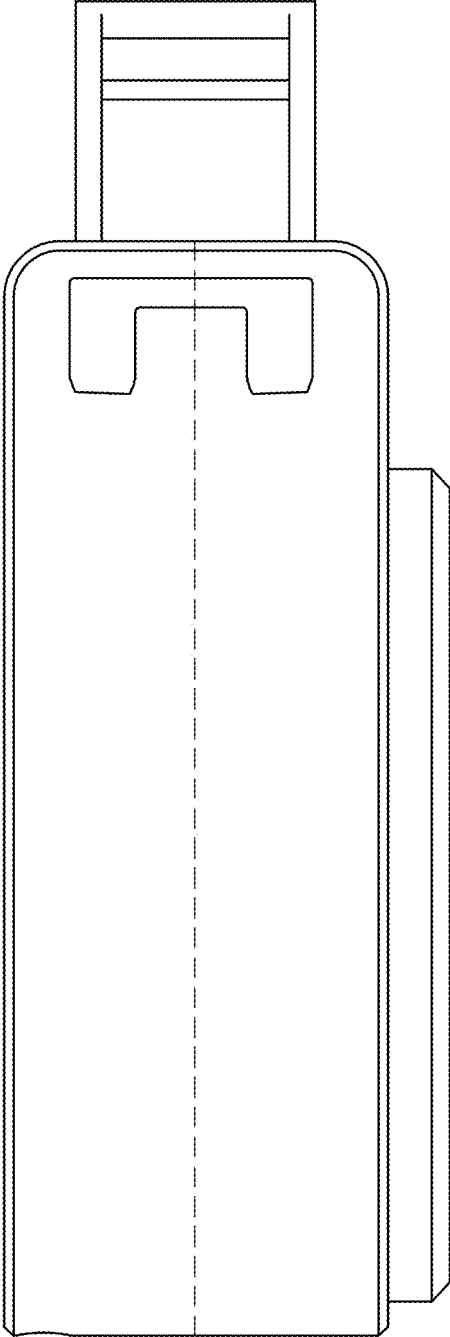
1.2



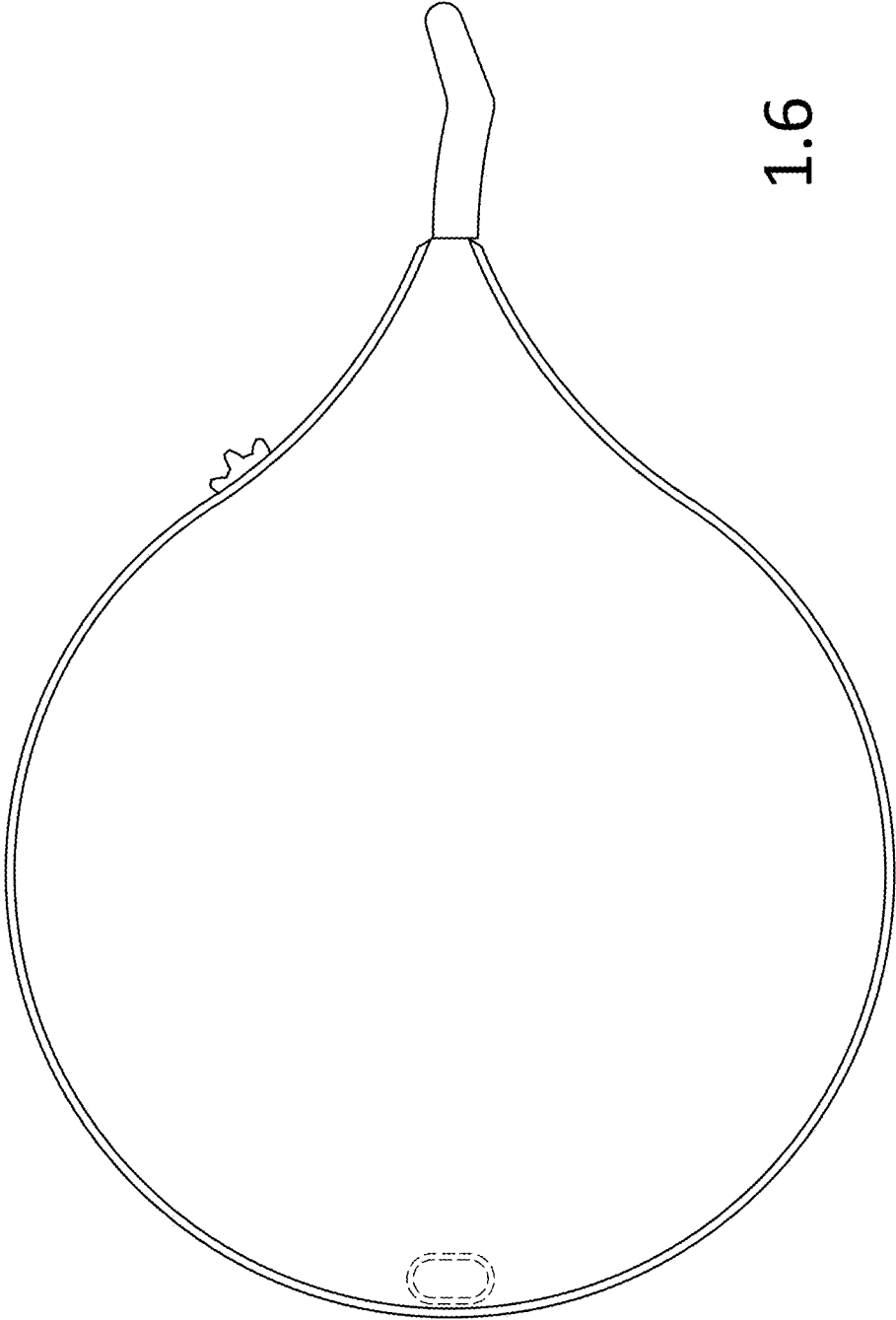
1.3



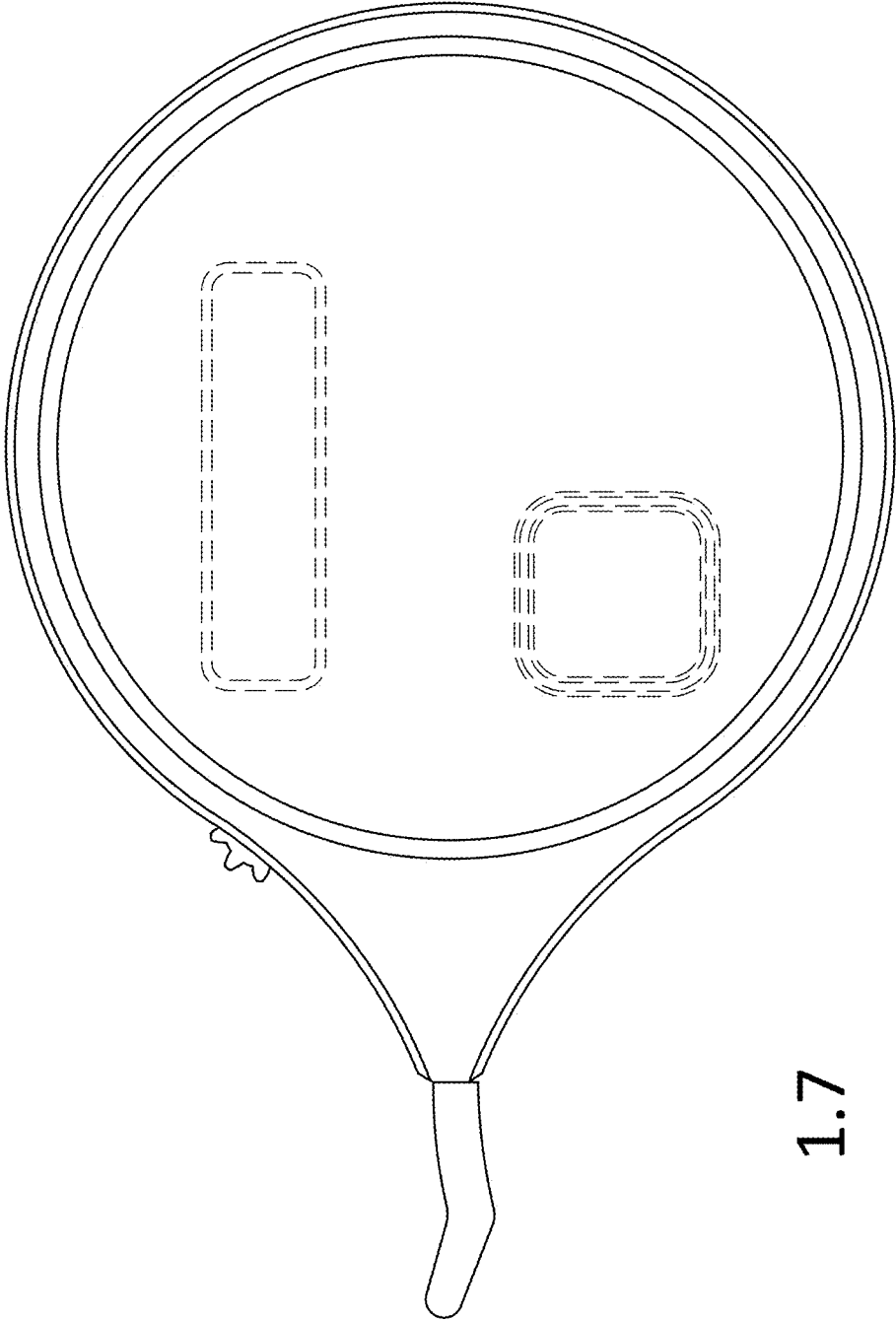
1.4



1.5



1.6



1.7