

(19) World Intellectual Property Organization
International Bureau



(43) International Publication Date
19 December 2002 (19.12.2002)

PCT

(10) International Publication Number
WO 02/101791 A3

(51) International Patent Classification⁷: B65G 1/04

(21) International Application Number: PCT/US02/19172

(22) International Filing Date: 3 June 2002 (03.06.2002)

(25) Filing Language: English

(26) Publication Language: English

(30) Priority Data:
09/873,779 4 June 2001 (04.06.2001) US

(71) Applicant: INTRABAY AUTOMATION, INC.
[US/US]; 4 Harris Court, Monterey, CA 93940 (US).

(71) Applicant and

(72) Inventor: WHALEN, Paul, S. [US/US]; 4 Harris Court,
Monterey, CA 93940 (US).

(74) Agent: O'REILLY, David; Suite 200, 1800 Bridgegate
Street, Westlake Village, CA 91361 (US).

(81) Designated States (national): AE, AG, AL, AM, AT, AU, AZ, BA, BB, BG, BR, BY, BZ, CA, CH, CN, CO, CR, CU, CZ, DE, DK, DM, DZ, EC, EE, ES, FI, GB, GD, GE, GH, GM, HR, HU, ID, IL, IN, IS, JP, KE, KG, KP, KR, KZ, LC, LK, LR, LS, LT, LU, LV, MA, MD, MG, MK, MN, MW, MX, MZ, NO, NZ, OM, PH, PL, PT, RO, RU, SD, SE, SG, SI, SK, SL, TJ, TM, TN, TR, TT, TZ, UA, UG, UZ, VN, YU, ZA, ZM, ZW.

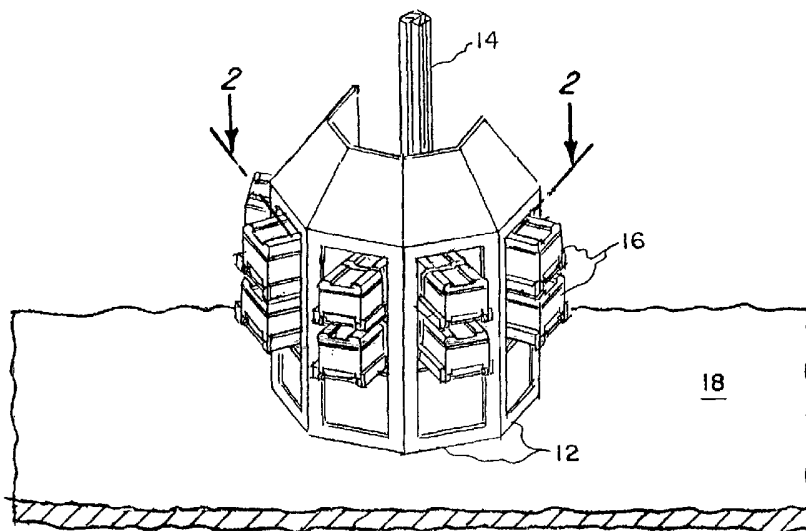
(84) Designated States (regional): ARIPO patent (GH, GM, KE, LS, MW, MZ, SD, SL, SZ, TZ, UG, ZM, ZW), Eurasian patent (AM, AZ, BY, KG, KZ, MD, RU, TJ, TM), European patent (AT, BE, CH, CY, DE, DK, ES, FI, FR, GB, GR, IE, IT, LU, MC, NL, PT, SE, TR), OAPI patent (BF, BJ, CF, CG, CI, CM, GA, GN, GQ, GW, ML, MR, NE, SN, TD, TG).

Declarations under Rule 4.17:

— as to applicant's entitlement to apply for and be granted a patent (Rule 4.17(ii)) for the following designations AE, AG, AL, AM, AT, AU, AZ, BA, BB, BG, BR, BY, BZ, CA, CH, CN, CO, CR, CU, CZ, DE, DK, DM, DZ, EC, EE, ES, FI, GB, GD, GE, GH, GM, HR, HU, ID, IL, IN, IS, JP, KE,

[Continued on next page]

(54) Title: SEMICONDUCTOR WAFER STORAGE KIOSK



(57) Abstract: A semiconductor wafer cassette storage cabinet or stocker (10) having retrieval and transfer system constructed in the form of a kiosk encircling a pick-up and transfer apparatus. The structure is formed of a plurality of identical sections (12) having walls and a roof joined together to form a nearly semi-circular enclosure around the pick-up and transfer apparatus. Each section has multiple level input/output ports adjacent to each other with a shelf (26,28) for supporting a semiconductor wafer cassette (16). Shelves (26,28) at the input/output ports are constructed of rails (30,32) supporting drive rollers (36) and a photo-detector (40) to activate the drive rollers to fill an output port whenever a cassette has been retrieved and transferred.



WO 02/101791 A3



KG, KP, KR, KZ, LC, LK, LR, LS, LT, LU, LV, MA, MD, MG, MK, MN, MW, MX, MZ, NO, NZ, OM, PH, PL, PT, RO, RU, SD, SE, SG, SI, SK, SL, TJ, TM, TN, TR, TT, TZ, UA, UG, UZ, VN, YU, ZA, ZM, ZW, ARIPO patent (GH, GM, KE, LS, MW, MZ, SD, SL, SZ, TZ, UG, ZM, ZW), Eurasian patent (AM, AZ, BY, KG, KZ, MD, RU, TJ, TM), European patent (AT, BE, CH, CY, DE, DK, ES, FI, FR, GB, GR, IE, IT, LU, MC, NL, PT, SE, TR), OAPI patent (BF, BJ, CF, CG, CI, CM, GA, GN, GQ, GW, ML, MR, NE, SN, TD, TG)

- as to the applicant's entitlement to claim the priority of the earlier application (Rule 4.17(iii)) for the following designations AE, AG, AL, AM, AT, AU, AZ, BA, BB, BG, BR, BY, BZ, CA, CH, CN, CO, CR, CU, CZ, DE, DK, DM, DZ, EC, EE, ES, FI, GB, GD, GE, GH, GM, HR, HU, ID, IL, IN, IS, JP, KE, KG, KP, KR, KZ, LC, LK, LR, LS, LT, LU, LV, MA, MD, MG, MK, MN, MW, MX, MZ, NO, NZ, OM, PH, PL, PT, RO, RU, SD, SE, SG, SI, SK, SL, TJ, TM, TN, TR, TT, TZ, UA, UG, UZ, VN, YU, ZA, ZM, ZW, ARIPO patent

(GH, GM, KE, LS, MW, MZ, SD, SL, SZ, TZ, UG, ZM, ZW), Eurasian patent (AM, AZ, BY, KG, KZ, MD, RU, TJ, TM), European patent (AT, BE, CH, CY, DE, DK, ES, FI, FR, GB, GR, IE, IT, LU, MC, NL, PT, SE, TR), OAPI patent (BF, BJ, CF, CG, CI, CM, GA, GN, GQ, GW, ML, MR, NE, SN, TD, TG)

Published:

- with international search report

(88) Date of publication of the international search report:

31 July 2003

For two-letter codes and other abbreviations, refer to the "Guidance Notes on Codes and Abbreviations" appearing at the beginning of each regular issue of the PCT Gazette.

INTERNATIONAL SEARCH REPORT

International application No.

PCT/US02/19172

A. CLASSIFICATION OF SUBJECT MATTER

IPC(7) : B65G1/04
 US CL : 414/217, 278, 273, 283, 940, 939; 118/719

According to International Patent Classification (IPC) or to both national classification and IPC

B. FIELDS SEARCHED

Minimum documentation searched (classification system followed by classification symbols)

U.S. : 414/217, 217.1, 277, 278, 280, 281, 282, 283, 935, 939, 940; 118/719, 500; 432/239; 211/41.18

Documentation searched other than minimum documentation to the extent that such documents are included in the fields searched
 NONE

Electronic data base consulted during the international search (name of data base and, where practicable, search terms used)
 NONE


C. DOCUMENTS CONSIDERED TO BE RELEVANT

Category *	Citation of document, with indication, where appropriate, of the relevant passages	Relevant to claim No.
Y	JP 5-294410 A (DAIFUKA CO. LTD.) 09 November 1993 (09.11.1993) (See entire document).	1-7
Y	JP 1-299107 A (DAIFUKA CO. LTD.) 01 December 1989 (01.12.1989) (See entire document).	1-7
Y	US 6,036,812 A (WILLIAMS et al) 14 March 2000 (14.03.2000) (See entire document).	1-7
A	US 5,508,859 (HU et al) 16 April 1996 (16.04.1996) (See entire document).	1-7
A	DE 3417736 A1 (MOLLERS MASCHINENFABRIK GMBH) 14 November 1985 (14.11.1985) (See entire document).	1-7
A	US 6,079,927 A (MUKA) 27 June 2000 (27.06.2000) (See entire document).	1-7
A	US 6,050,768 A (IWASAKI et al) 18 April 2000 (18.04.2000) (See entire document).	1-7
A	US 6,000,900 A (ISOGAI) 14 December 1999 (14.12.1999) (See entire document) .	1-7

Further documents are listed in the continuation of Box C.

See patent family annex.

* Special categories of cited documents:		
"A"	document defining the general state of the art which is not considered to be of particular relevance	"T" later document published after the international filing date or priority date and not in conflict with the application but cited to understand the principle or theory underlying the invention
"E"	earlier application or patent published on or after the international filing date	"X" document of particular relevance; the claimed invention cannot be considered novel or cannot be considered to involve an inventive step when the document is taken alone
"L"	document which may throw doubts on priority claim(s) or which is cited to establish the publication date of another citation or other special reason (as specified)	"Y" document of particular relevance; the claimed invention cannot be considered to involve an inventive step when the document is combined with one or more other such documents, such combination being obvious to a person skilled in the art
"O"	document referring to an oral disclosure, use, exhibition or other means	
"P"	document published prior to the international filing date but later than the priority date claimed	"&" document member of the same patent family

Date of the actual completion of the international search 15 August 2002 (15.08.2002)	Date of mailing of the international search report 03 MAR 2003
Name and mailing address of the ISA/US Commissioner of Patents and Trademarks Box PCT Washington, D.C. 20231 Facsimile No. (703)305-3230	Authorized officer Frank E. Werner  Telephone No. (703)308-1140