



US00D753954S

(12) **United States Design Patent**
Schreiber

(10) **Patent No.:** **US D753,954 S**

(45) **Date of Patent:** **** Apr. 19, 2016**

(54) **COFFEE FILTER**

(76) Inventor: **Eugene Schreiber**, Brooklyn, NY (US)

(**) Term: **14 Years**

(21) Appl. No.: **29/430,408**

(22) Filed: **Aug. 24, 2012**

(51) **LOC (10) Cl.** **07-01**

(52) **U.S. Cl.**

USPC **D7/400**; D7/630; D9/428; D9/500

(58) **Field of Classification Search**

USPC D9/424, 428, 500, 502-503, 505, 516,
D9/549, 558, 763, 772, 777-780; D7/400,
D7/397, 587, 602, 630, 509, 523, 540, 584,
D7/603; D23/209; 99/295, 323, 316, 317,
99/306; 210/479, 455, 238; 220/660,
220/669-673, 675

CPC . A47J 31/446; A47J 31/0689; B65D 85/8043
See application file for complete search history.

(56) **References Cited**

U.S. PATENT DOCUMENTS

2,828,789 A *	4/1958	Geisler et al.	220/783
4,859,337 A	8/1989	Woltermann	210/474
D333,755 S	3/1993	Oleksiuk	D7/400
D341,059 S	11/1993	Watson	D7/400
5,325,765 A	7/1994	Sylvan et al.	99/295
5,840,189 A	11/1998	Sylvan et al.	210/474
D426,160 S *	6/2000	Lindsay et al.	D9/500
D452,633 S	1/2002	Valkovich	D7/400
D474,110 S *	5/2003	Sweeney	D9/428
D474,111 S *	5/2003	Lazaris	D9/428
6,645,537 B2 *	11/2003	Sweeney et al.	426/79
D524,691 S *	7/2006	Caruso	D11/152
D546,140 S *	7/2007	Anzalone	D7/672
D606,363 S *	12/2009	Aardenburg	D7/400
D607,329 S *	1/2010	Diss	D9/500
D652,266 S *	1/2012	Smyers	D7/630

D695,110 S *	12/2013	Houlton et al.	D9/500
D710,686 S *	8/2014	Gowens	D9/429
D715,649 S *	10/2014	O'Brien	D9/500
2009/0205504 A1	8/2009	Navarro Alcantara	99/295
2010/0003371 A1	1/2010	Ozanne et al.	426/77
2010/0108541 A1	5/2010	Roberto	206/0.5
2010/0203198 A1	8/2010	Yoakim et al.	426/80
2011/0303095 A1	12/2011	Fu et al.	99/317

FOREIGN PATENT DOCUMENTS

WO WO 2013/043048 3/2013

OTHER PUBLICATIONS

Concise Statement of Relevance for U.S. Patent Application Publication No. 2010/0108541, U.S. Patent Application Publication No. 2010/0203198 and PCT Publication No. WO 2013/043048.

* cited by examiner

Primary Examiner — Ian Simmons

Assistant Examiner — Rashida C McCoy

(74) *Attorney, Agent, or Firm* — Ostrolenk Faber LLP

(57) **CLAIM**

The ornamental design for a coffee filter, as shown and described.

DESCRIPTION

FIG. 1 is a top plan view of the coffee filter showing my new design;

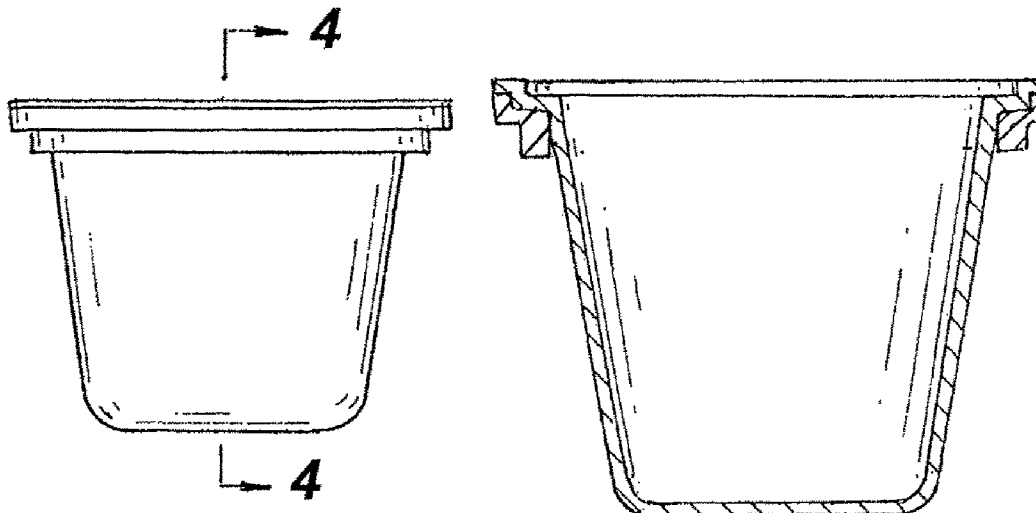
FIG. 2 is a bottom plan view thereof;

FIG. 3 is a right side plan view thereof, the other side plan views being the same as the right side plan view; and,

FIG. 4 is a sectional view taken along line 4-4 of FIG. 3.

The broken lines in the drawings illustrate environmental material that forms no part of the claimed design.

1 Claim, 1 Drawing Sheet



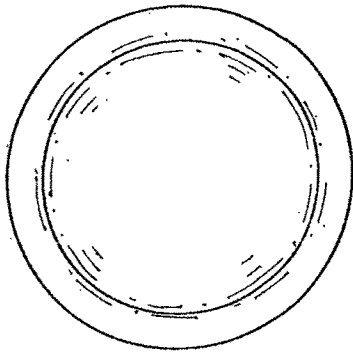


FIG. 1

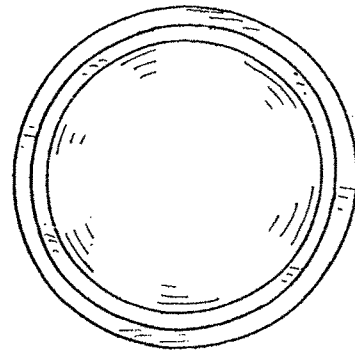


FIG. 2

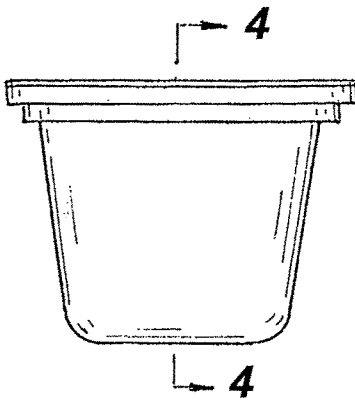


FIG. 3

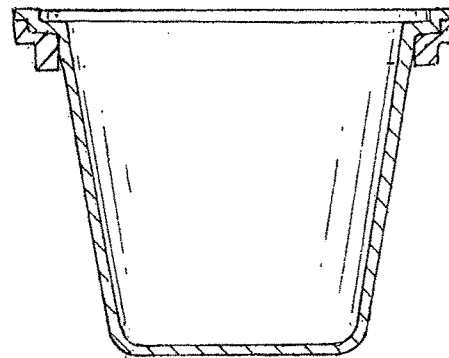


FIG. 4