

[54] OSCILLATING SPRINKLER

[75] Inventor: Kenneth Hattori, Bensenville, Ill.

[73] Assignee: Suncast Corporation, Batavia, Ill.

[**] Term: 14 Years

[21] Appl. No.: 847,813

[22] Filed: Apr. 2, 1986

[52] U.S. Cl. D23/216

[58] Field of Search D23/6-8;
239/225.1, 242, 248, 280

[56] References Cited

U.S. PATENT DOCUMENTS

D. 178,782	9/1956	Jepson	D23/8
D. 282,769	2/1986	Lemkin et al.	D23/8
2,914,255	11/1959	Jepson	239/280 X

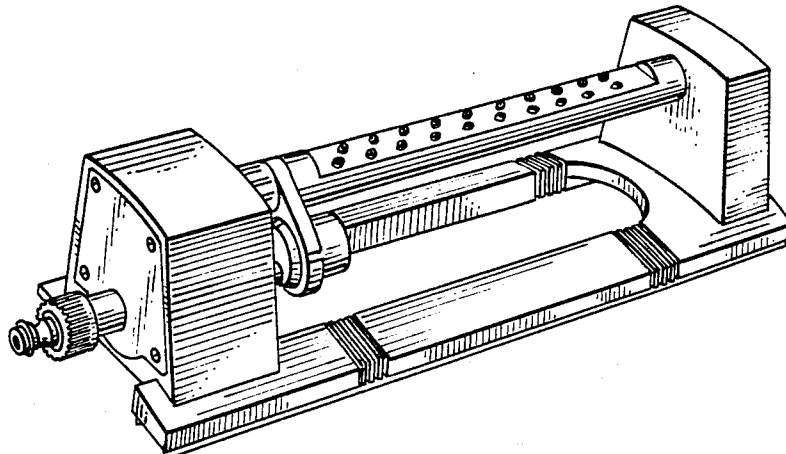
Primary Examiner—B. J. Bullock
Assistant Examiner—Brian N. Vinson
Attorney, Agent, or Firm—Fitch, Even, Tabin & Flannery

[57] CLAIM

The ornamental design for an oscillating sprinkler, substantially as shown and described.

DESCRIPTION

FIG. 1 is a top, rear perspective view of an oscillating sprinkler showing my new design; FIG. 2 is a right side elevational view thereof; FIG. 3 is a rear end elevational view thereof; FIG. 4 is a front end elevational view thereof; FIG. 5 is a top plan view thereof; FIG. 6 is a left side elevational view thereof; and, FIG. 7 is a bottom plan view thereof.



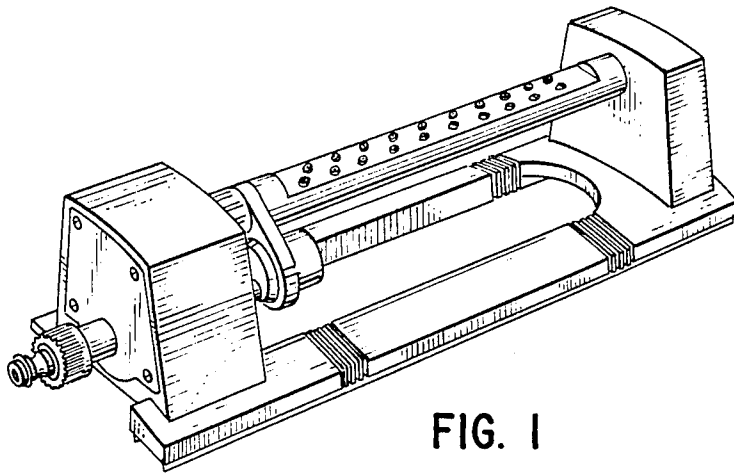


FIG. 1

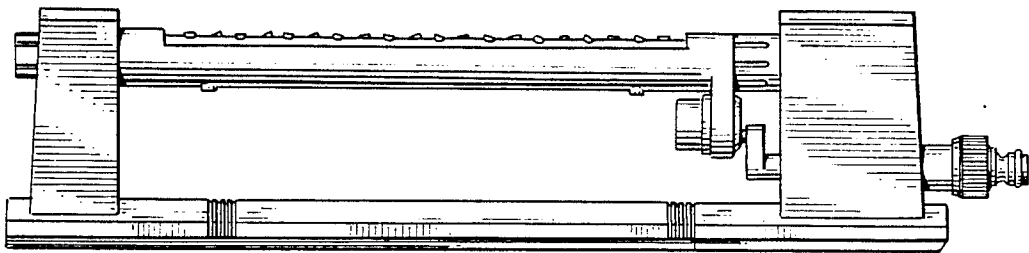


FIG. 2

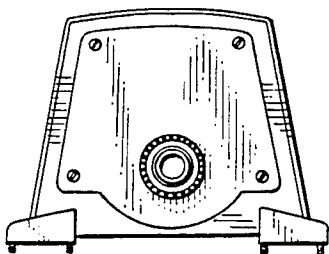


FIG. 3

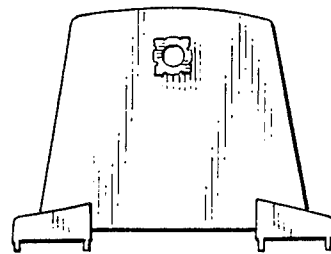


FIG. 4

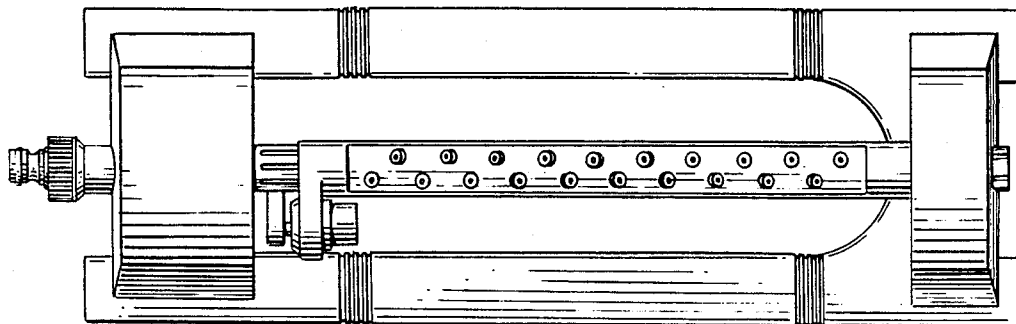


FIG. 5

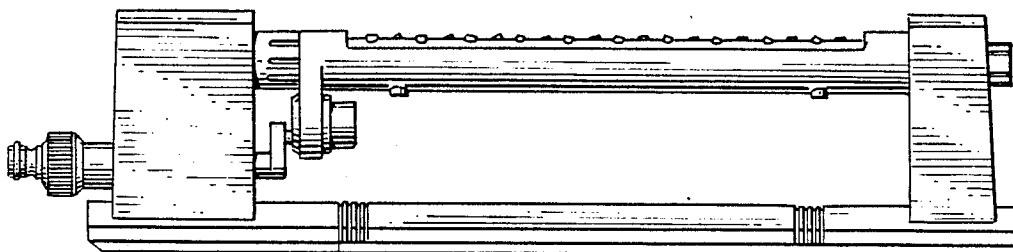


FIG. 6

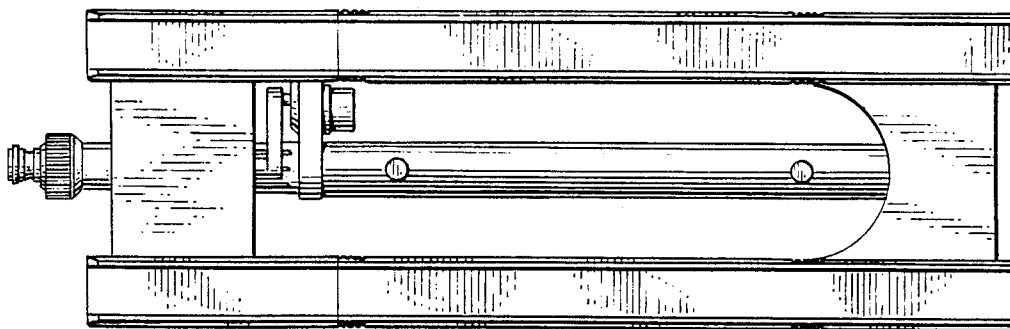


FIG. 7