

(12) **United States Design Patent**  
**White**

(10) **Patent No.:** **US D892,602 S**  
(45) **Date of Patent:** **\*\* Aug. 11, 2020**

(54) **PERPENDICULAR TO FLOOR SIGN  
HOLDER WITH SIMPLE SHELF CLIP**

(71) Applicant: **K-International, Inc.**, Waukegan, IL  
(US)

(72) Inventor: **Michael J. White**, Ripon, WI (US)

(73) Assignee: **K-International, Inc.**, Waukegan, IL  
(US)

(\*\*) Term: **15 Years**

(21) Appl. No.: **29/720,851**

(22) Filed: **Jan. 16, 2020**

**Related U.S. Application Data**

(62) Division of application No. 29/623,234, filed on Oct.  
24, 2017, now Pat. No. Des. 877,601.

(51) **LOC (12) Cl.** ..... **08-05**

(52) **U.S. Cl.**

USPC ..... **D8/380**; D20/43; D8/373

(58) **Field of Classification Search**

USPC ..... D8/321, 349, 354, 355, 366, 371, 373,  
D8/380, 381, 400; D20/10, 42-44, 99;

(Continued)

(56) **References Cited**

**U.S. PATENT DOCUMENTS**

D173,720 S 12/1954 Carver et al.  
D225,208 S \* 11/1972 Miller ..... D20/44

(Continued)

**OTHER PUBLICATIONS**

Flag Fast-Gripz 11 for Price Rails, Southern Imperial, posted at  
southernimperial.com in 2015 Product Catalog, © 2015 u Southern  
Imperial Inc., [online], site visited Aug. 3, 2017. Available from  
Internet: <http://www.southernimperial.com/pub/2015Catpages/2015-  
si-catalog-web.pdf>CVC.

(Continued)

*Primary Examiner* — Cathron C Brooks

*Assistant Examiner* — Christian P. McLean

(74) *Attorney, Agent, or Firm* — Schiff Hardin LLP

(57) **CLAIM**

The ornamental design for a perpendicular to floor sign  
holder with simple shelf clip, as shown and described.

**DESCRIPTION**

FIG. 1 is a perspective view taken from the front, top, left  
side of a perpendicular to floor sign holder with simple shelf  
clip showing my new design according to a first embodi-  
ment;

FIG. 2 is a perspective view taken from the back, bottom,  
left side thereof;

FIG. 3 is a front elevational view thereof;

FIG. 4 is a back elevational view thereof;

FIG. 5 is a left side elevational view thereof, the right side  
elevational view thereof being a mirror image of the left side  
elevational view thereof;

FIG. 6 is a top plan view thereof;

FIG. 7 is a bottom plan view thereof;

FIG. 8 is a perspective view taken from the front, top, left  
side of the perpendicular to floor sign holder with simple  
shelf clip showing my new design according to a second  
embodiment;

FIG. 9 is a perspective view taken from the back, bottom,  
left side of the second embodiment;

FIG. 10 is a front elevational view according to the second  
embodiment;

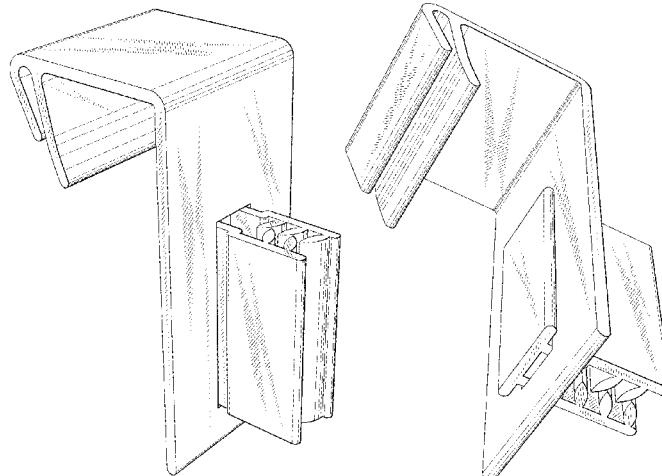
FIG. 11 is a back elevational view according to the second  
embodiment;

FIG. 12 is a left side elevational view according to the  
second embodiment, the right side elevational view accord-  
ing to the second embodiment being a mirror image of the  
left side elevational view according to the second embodi-  
ment;

FIG. 13 is a top plan view according to the second embodi-  
ment; and,

FIG. 14 is a bottom plan view according to the second  
embodiment.

**1 Claim, 7 Drawing Sheets**



- (58) **Field of Classification Search**  
 USPC ..... D9/457; D14/374; D25/119; D6/325,  
 D6/328  
 CPC ..... G09F 7/16; G09F 2007/122; G09F 13/00;  
 G09F 13/04; G09F 13/06; G09F 13/18;  
 G09F 13/22; G09F 13/24; G09F 13/26;  
 G09F 2013/1895; G09F 15/00; B29C  
 65/52; B29C 65/56; B23P 19/00; B32B  
 37/02; B32B 38/00  
 See application file for complete search history.

(56) **References Cited**

U.S. PATENT DOCUMENTS

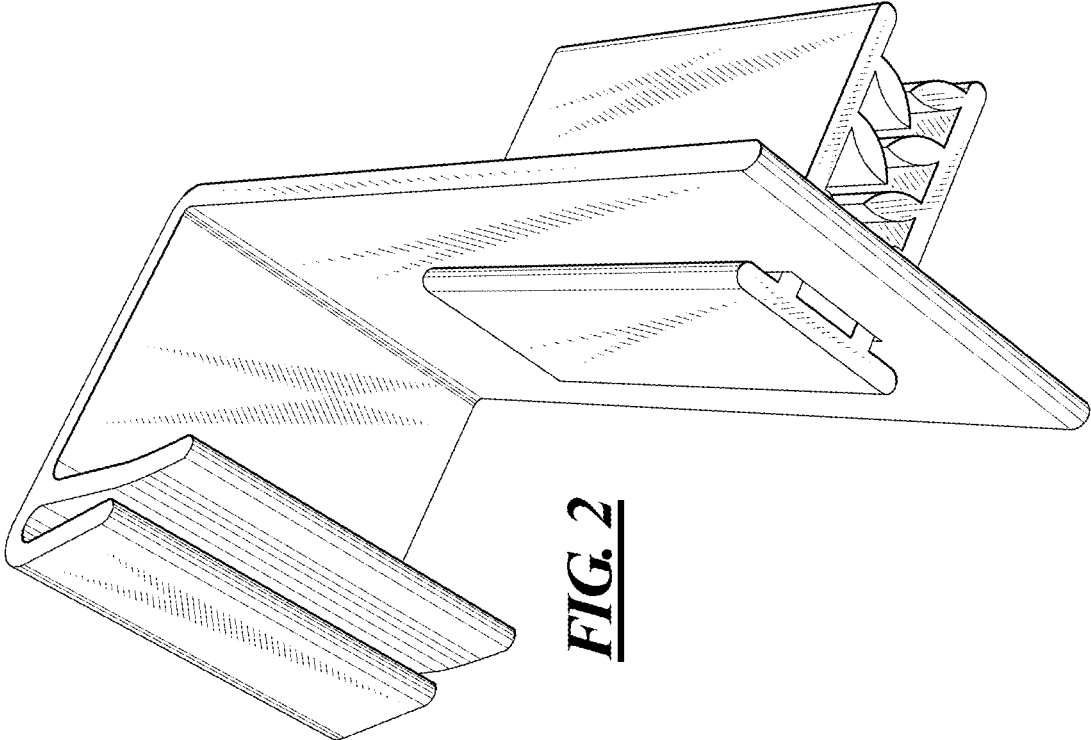
D243,581 S 3/1977 Goss, Jr. et al.  
 D275,867 S 10/1984 Lazzara et al.  
 D290,931 S 7/1987 Powell  
 5,275,367 A 1/1994 Frye  
 D366,207 S 1/1996 Thompson  
 D377,505 S 1/1997 Thompson  
 5,863,019 A 1/1999 Rose et al.  
 D407,010 S 3/1999 Sobczynski  
 D419,859 S 2/2000 Marsh  
 D423,592 S 4/2000 Wamsley  
 D426,584 S 6/2000 Czalkiewicz  
 6,082,687 A 7/2000 Kump et al.  
 D436,311 S 1/2001 Edvardsson  
 D453,534 S 2/2002 Kosir  
 D453,798 S 2/2002 Gray  
 D454,373 S 3/2002 Kosir  
 D454,593 S 3/2002 Kosir  
 D454,918 S 3/2002 Wamsley et al.  
 D454,962 S 3/2002 Grace  
 6,467,742 B1 10/2002 Pitcher  
 D471,787 S 3/2003 Gebrara  
 D471,788 S 3/2003 Gebara  
 D480,949 S 10/2003 Kosir  
 D483,249 S 12/2003 Klein et al.  
 D483,250 S 12/2003 Klein et al.  
 D487,115 S 2/2004 Kosir  
 D487,290 S 3/2004 Kosir  
 D494,045 S 8/2004 Van Essen et al.  
 D494,047 S 8/2004 Klein et al.  
 D494,050 S 8/2004 Klein et al.  
 D494,844 S 8/2004 Klein et al.  
 D511,548 S 11/2005 Wamsley  
 D514,166 S \* 1/2006 Brinkman ..... D20/44  
 D525,371 S 7/2006 Levi-Senigaglia  
 D546,892 S 7/2007 Bruegmann  
 D556,014 S 11/2007 Wurdack  
 D569,916 S 5/2008 Garfinkle  
 D595,782 S \* 7/2009 Whitfield ..... D20/43  
 7,703,732 B2 \* 4/2010 Dantuono ..... A47G 7/045  
 211/90.03  
 D616,033 S 5/2010 Kurmlavage  
 D632,159 S 2/2011 Charette  
 D651,256 S 12/2011 Garfinkle  
 D651,257 S \* 12/2011 Garfinkle ..... D20/43

D659,196 S \* 5/2012 Walker ..... D20/43  
 D669,136 S 10/2012 Bruegmann  
 8,308,880 B2 11/2012 White  
 D689,949 S 9/2013 Valls et al.  
 D692,955 S 11/2013 Kopco  
 D693,483 S 11/2013 Krieger  
 D702,466 S 4/2014 Kim  
 D702,620 S 4/2014 Read et al.  
 8,707,599 B2 4/2014 White et al.  
 D704,834 S 5/2014 Bacon et al.  
 8,793,913 B1 8/2014 Zobel et al.  
 D727,651 S \* 4/2015 San Martin ..... D6/513  
 9,038,300 B2 5/2015 Theisen et al.  
 9,131,787 B2 9/2015 Berglund et al.  
 D742,728 S 11/2015 Ostler  
 D745,192 S 12/2015 Suciu et al.  
 D748,730 S 2/2016 Kopco  
 D748,731 S 2/2016 Kopco  
 D748,732 S 2/2016 Kopco  
 D750,710 S 3/2016 Watson et al.  
 D768,243 S 10/2016 Garfinkle  
 D769,372 S 10/2016 White  
 D784,044 S \* 4/2017 Sokoly ..... D6/552  
 D787,602 S 5/2017 Watson et al.  
 D787,603 S 5/2017 Watson et al.  
 D787,604 S 5/2017 Watson et al.  
 D788,227 S 5/2017 Watson et al.  
 D791,580 S 7/2017 Chou  
 D815,515 S 4/2018 White  
 D818,363 S 5/2018 Kovacs  
 D829,823 S 10/2018 White  
 D833,175 S 11/2018 Miroshnichenko et al.  
 D848,827 S \* 5/2019 White ..... D8/381  
 D851,786 S 6/2019 Ksiezopolski et al.  
 D863,048 S 10/2019 White  
 D877,601 S \* 3/2020 White ..... D8/380  
 2011/0214321 A1 9/2011 White  
 2012/0110883 A1 \* 5/2012 White ..... G09F 15/00  
 40/606.01  
 2013/0233500 A1 9/2013 Chen  
 2016/0275828 A1 9/2016 White  
 2017/0261018 A1 9/2017 Gibb et al.  
 2017/0263164 A1 9/2017 Gibb et al.

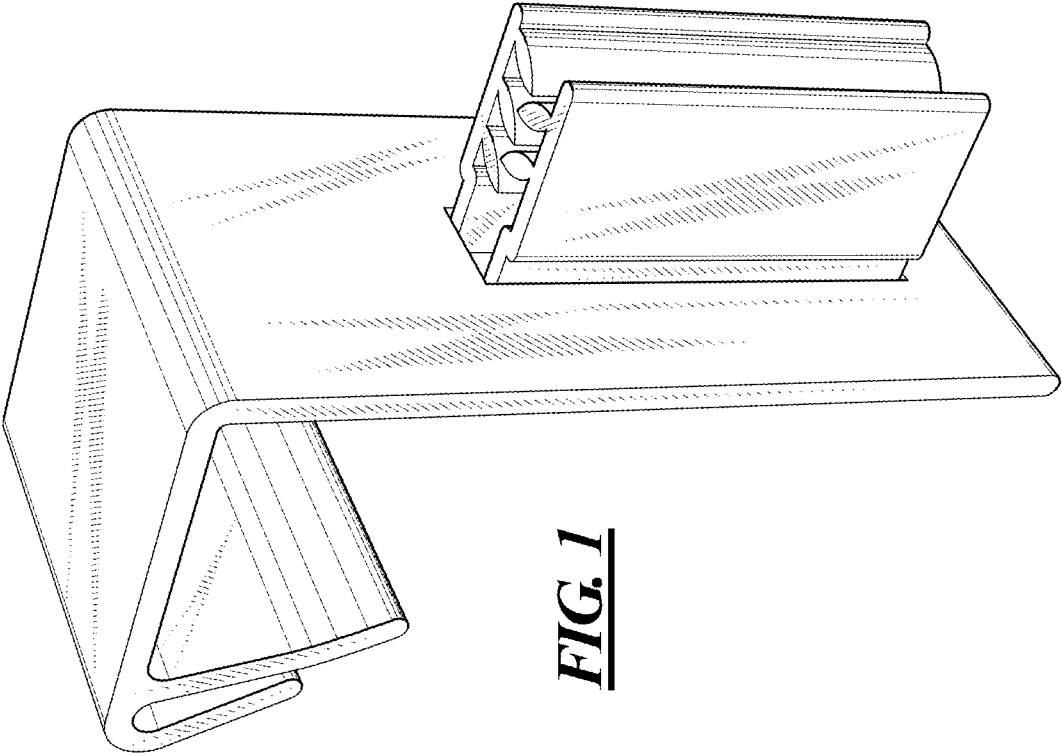
OTHER PUBLICATIONS

See Related U.S. Appl. No. 29/575,659, filed Aug. 26, 2016, entitled  
 “Perpendicular to Floor Sign Holding Clip”.  
 “ShelfTalker Sign Holders for Price Channels, for Flag Signs, Set of  
 100—Clear.” displays2go.com. Reviewed Nov. 30, 2018, Accessed  
 Jul. 17, 2019. Available online at URL: <https://www.displays2go.com/P-22284/Price-Channel-Holders-For-Retail-Display-Set-of-100-units> (Year: 2018).  
 “Shelf Talker Sign Holders for Price Channels, Front Facing, Set of  
 100—Clear.” storefixture.com. Date not available. Accessed Jul.  
 17, 2019. Available on line at URL: <https://www.storefixture.com/P-22282/Shelf-Talker-Clip-For-POP-Display-Set-of-100-units> (Year:  
 N/A).

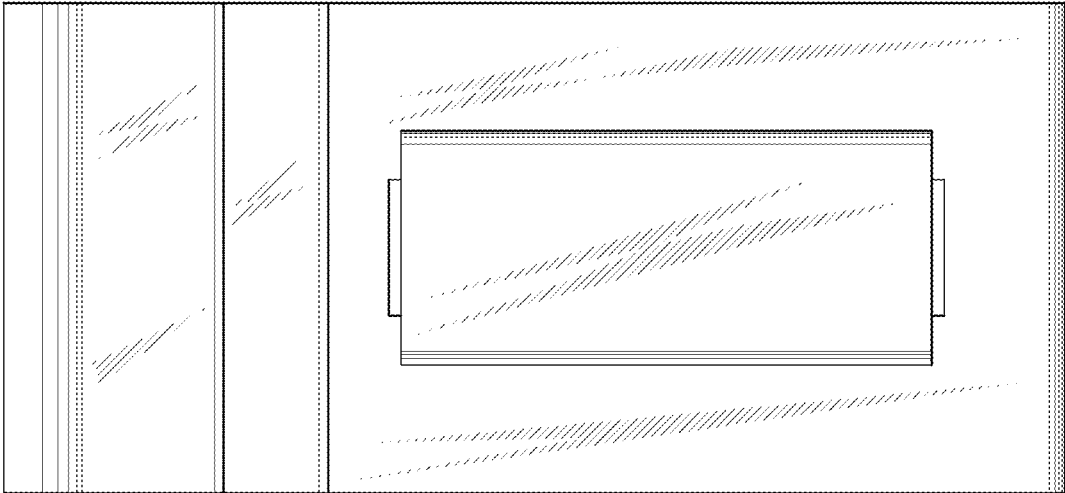
\* cited by examiner



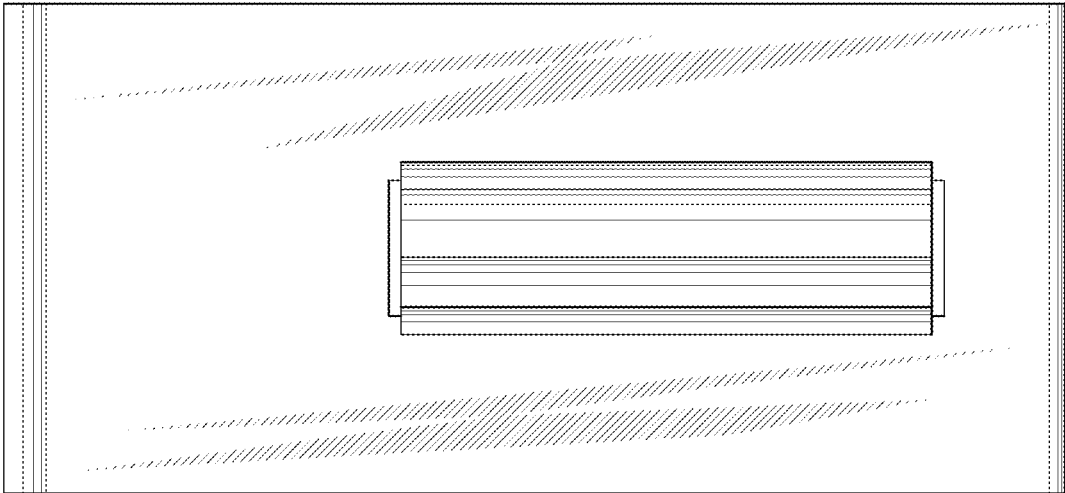
**FIG. 2**



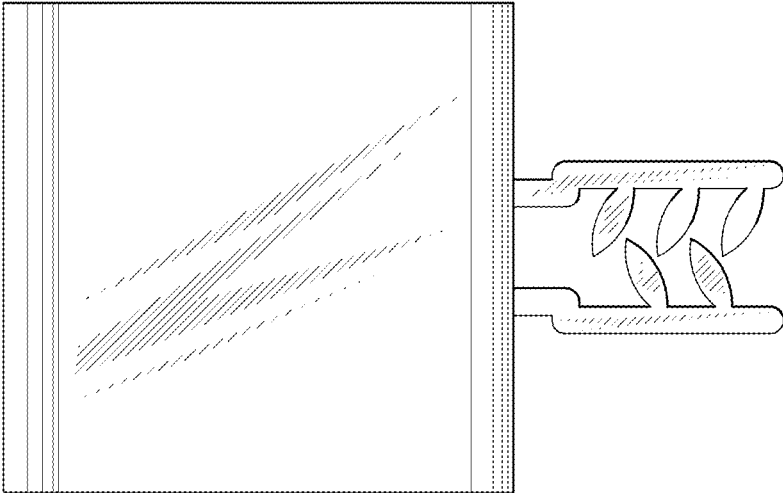
**FIG. 1**



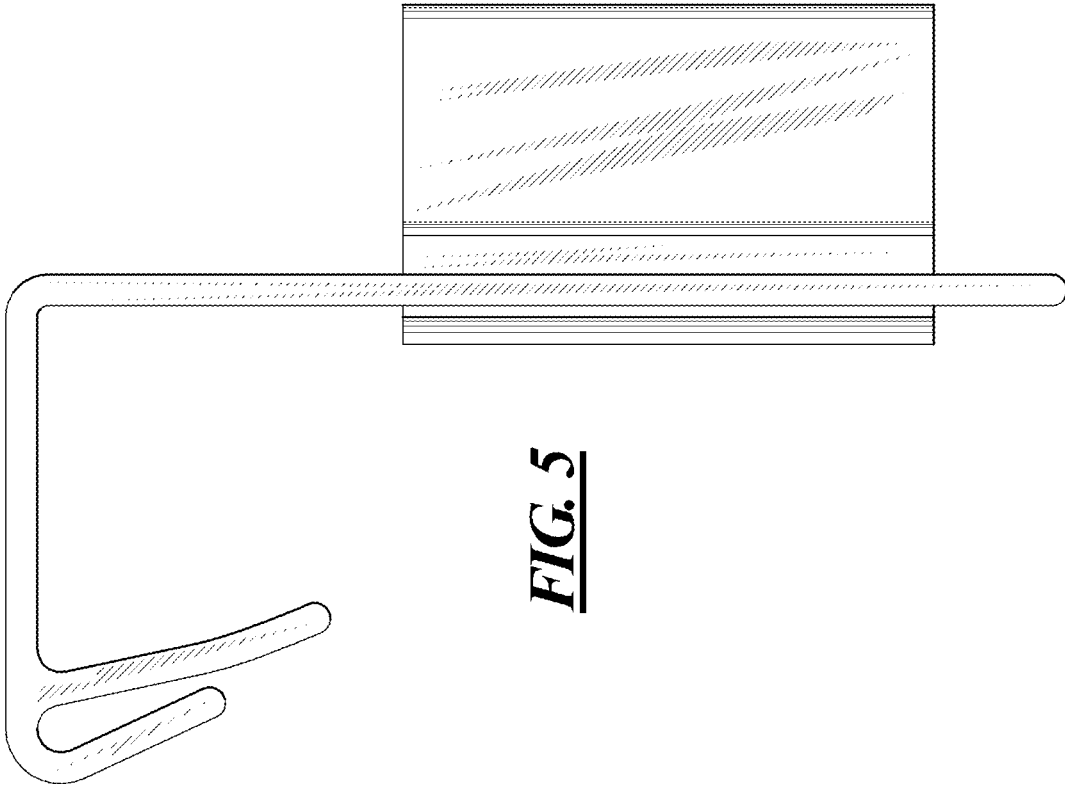
**FIG. 4**



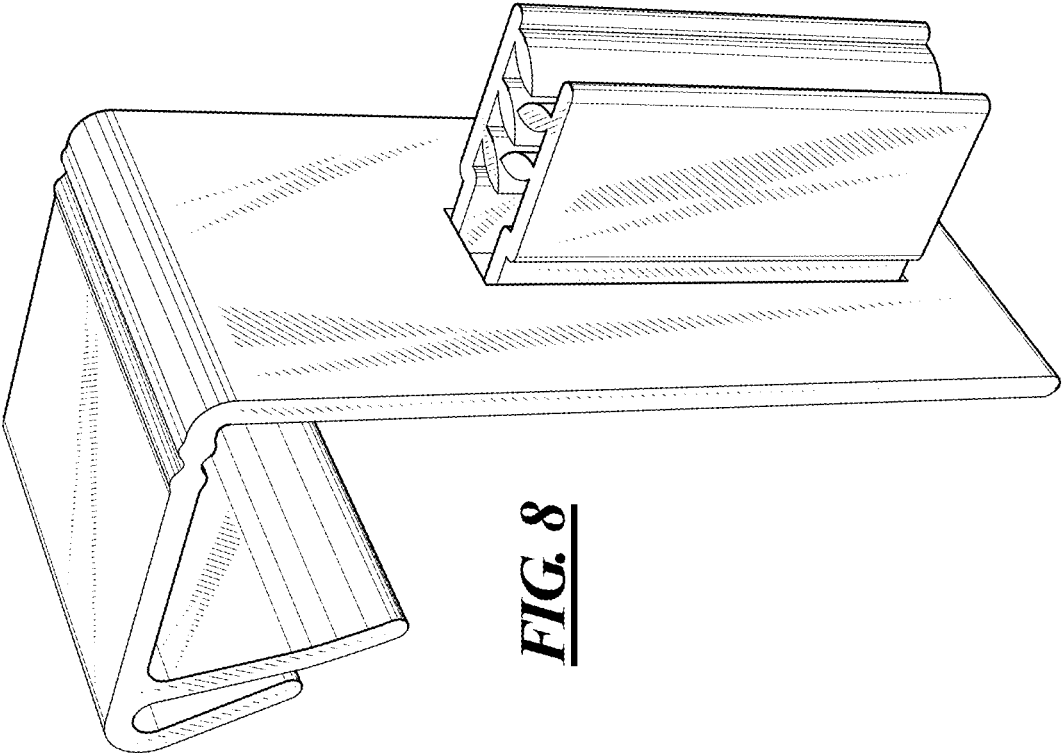
**FIG. 3**



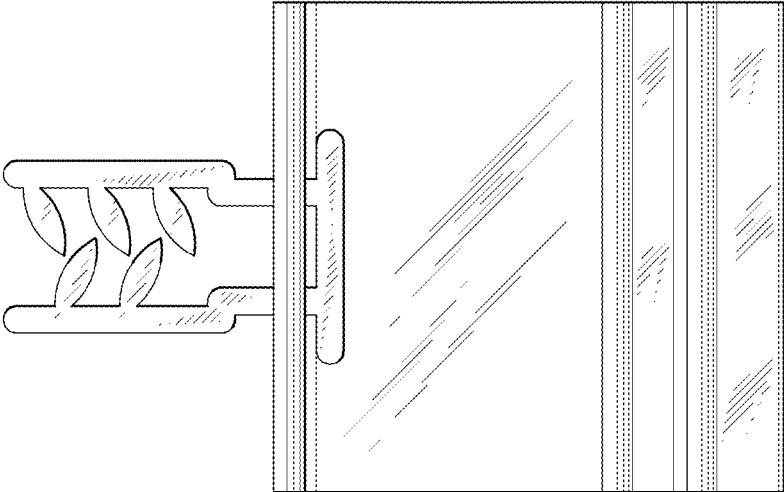
**FIG. 6**



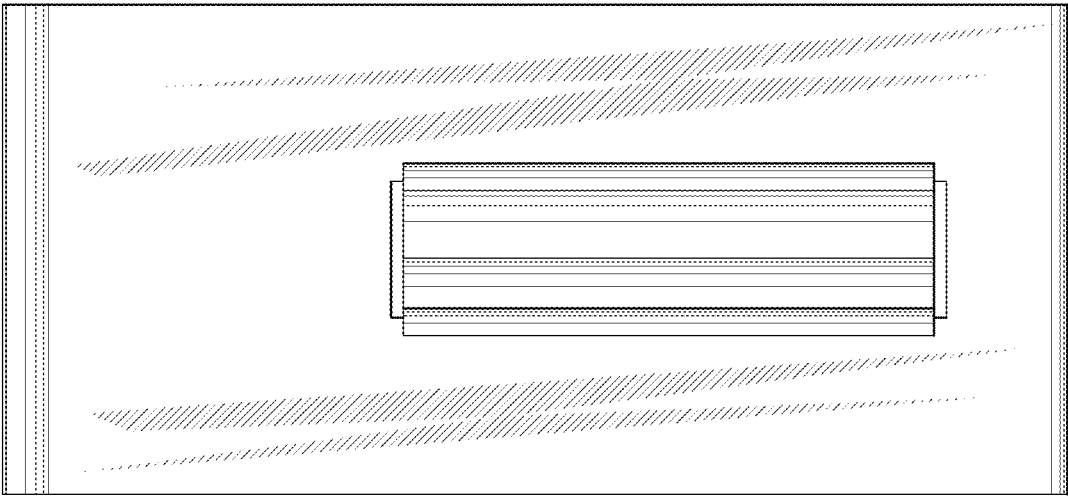
**FIG. 5**



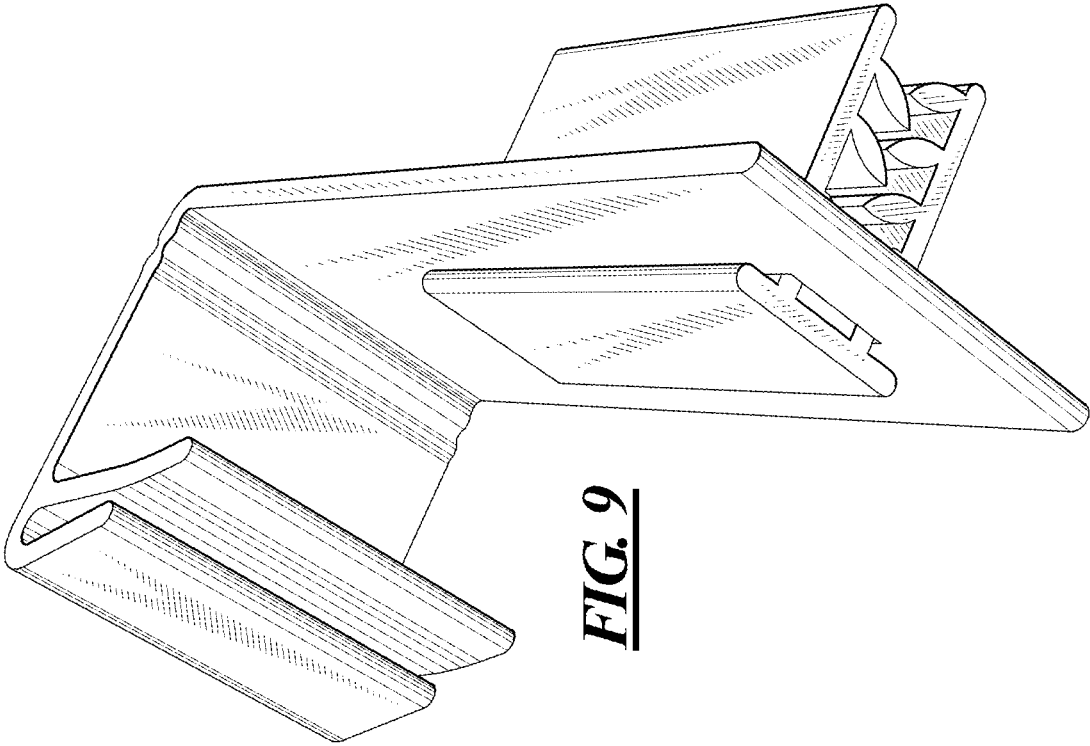
**FIG. 8**



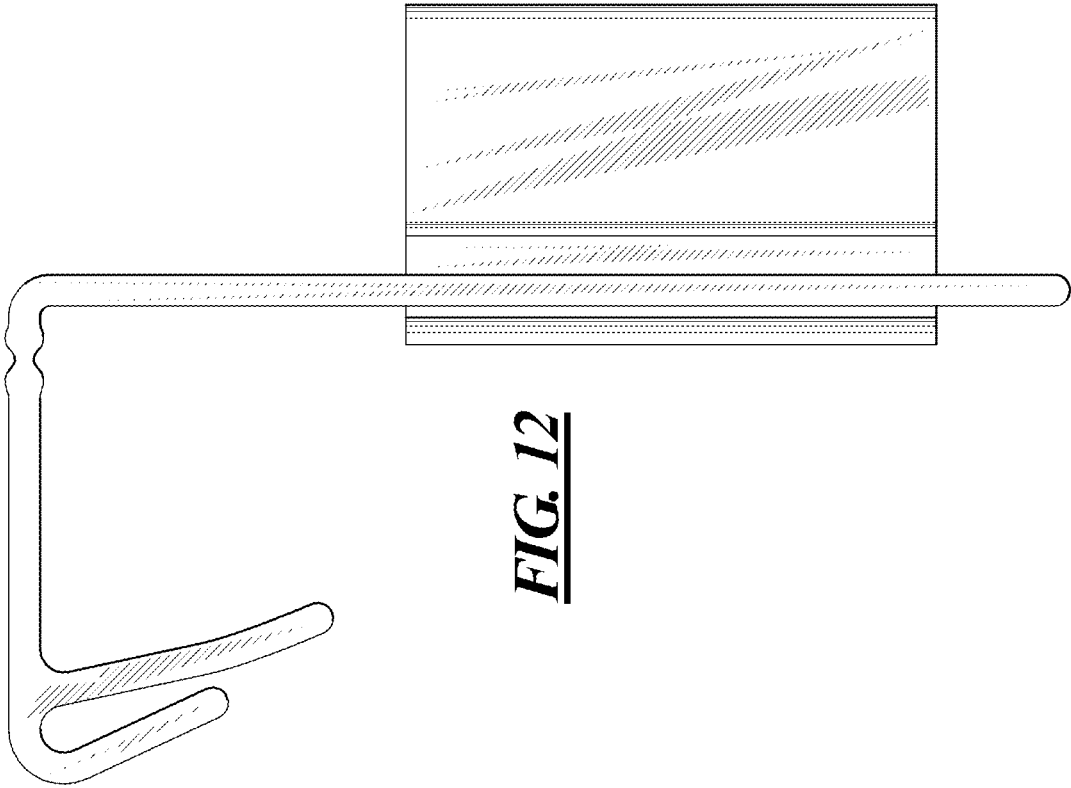
**FIG. 7**



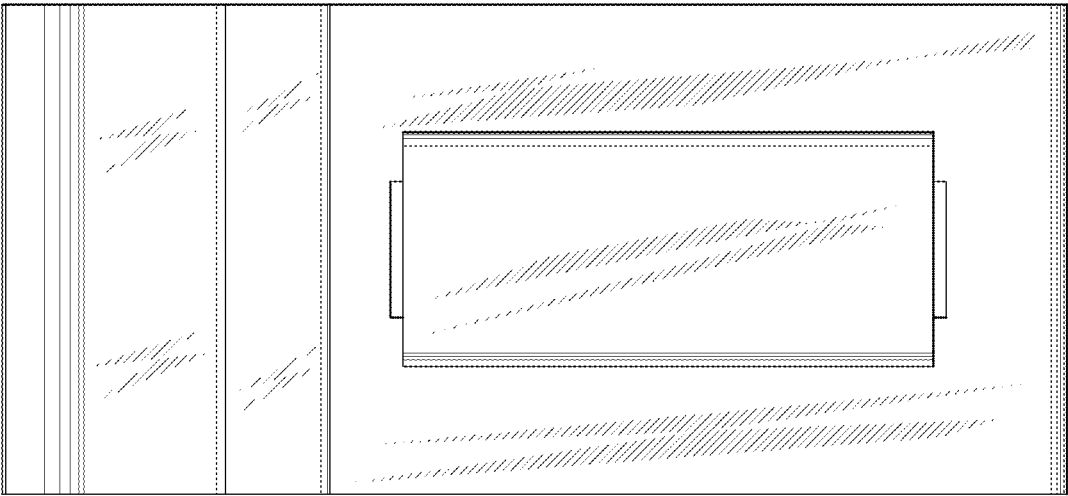
**FIG. 10**



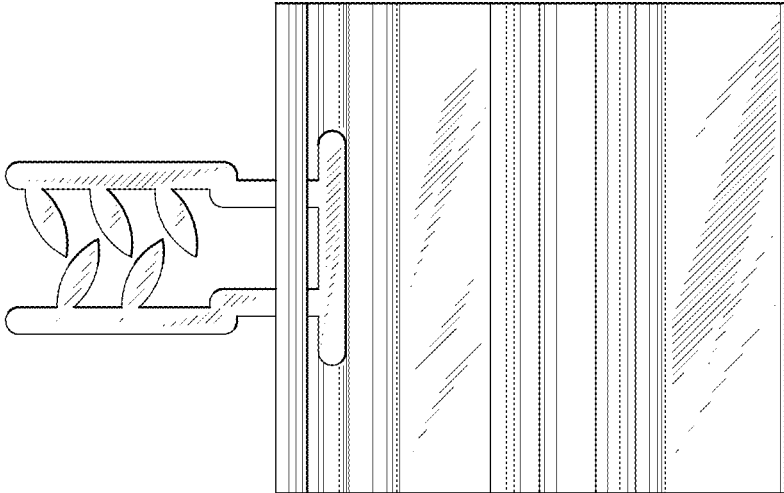
**FIG. 9**



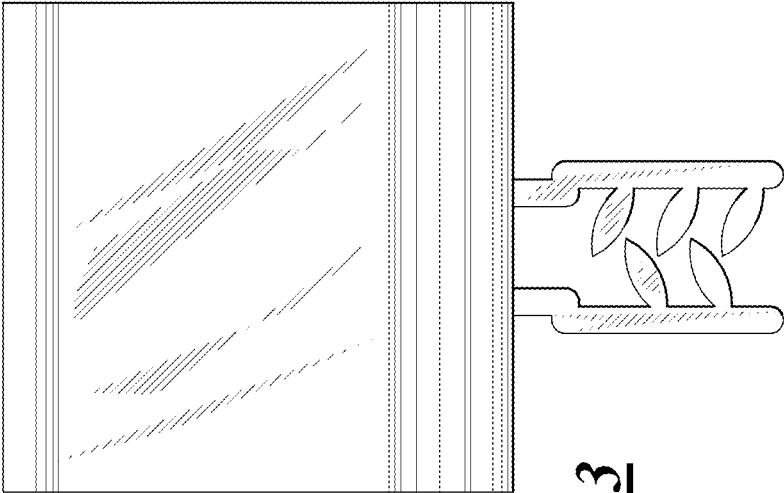
**FIG. 12**



**FIG. 11**



**FIG. 14**



**FIG. 13**