

CORRECTED VERSION

(19) World Intellectual Property Organization
International Bureau

(43) International Publication Date
3 July 2014 (03.07.2014)



(10) International Publication Number
WO 2014/102581 A8

- (51) International Patent Classification:
B01D 17/02 (2006.01)
- (21) International Application Number:
PCT/IB2013/002821
- (22) International Filing Date:
4 October 2013 (04.10.2013)
- (25) Filing Language: English
- (26) Publication Language: English
- (30) Priority Data:
20121561 28 December 2012 (28.12.2012) NO
- (71) Applicant: CAMERON SYSTEMS AS [NO/NO]; Sluppenvegen 12 E, N-7037 Trondheim (NO) (NO).
- (72) Inventor: FOLKVANG, Jorn; Asvallveien 52, N-3960 Stathelle (NO).
- (74) Agent: ROSE, Collin, A.; Chamberlain, Hrdlicka, White, Williams & Aughtry, 1200 Smith St., 14th Floor, Houston, TX 77002 (US).
- (81) Designated States (unless otherwise indicated, for every kind of national protection available): AE, AG, AL, AM, AO, AT, AU, AZ, BA, BB, BG, BH, BN, BR, BW, BY, BZ, CA, CH, CL, CN, CO, CR, CU, CZ, DE, DK, DM, DO, DZ, EC, EE, EG, ES, FI, GB, GD, GE, GH, GM, GT,

HN, HR, HU, ID, IL, IN, IR, IS, JP, KE, KG, KN, KP, KR, KZ, LA, LC, LK, LR, LS, LT, LU, LY, MA, MD, ME, MG, MK, MN, MW, MX, MY, MZ, NA, NG, NI, NO, NZ, OM, PA, PE, PG, PH, PL, PT, QA, RO, RS, RU, RW, SA, SC, SD, SE, SG, SK, SL, SM, ST, SV, SY, TH, TJ, TM, TN, TR, TT, TZ, UA, UG, US, UZ, VC, VN, ZA, ZM, ZW.

(84) Designated States (unless otherwise indicated, for every kind of regional protection available): ARIPO (BW, GH, GM, KE, LR, LS, MW, MZ, NA, RW, SD, SL, SZ, TZ, UG, ZM, ZW), Eurasian (AM, AZ, BY, KG, KZ, RU, TJ, TM), European (AL, AT, BE, BG, CH, CY, CZ, DE, DK, EE, ES, FI, FR, GB, GR, HR, HU, IE, IS, IT, LT, LU, LV, MC, MK, MT, NL, NO, PL, PT, RO, RS, SE, SI, SK, SM, TR), OAPI (BF, BJ, CF, CG, CI, CM, GA, GN, GQ, GW, KM, ML, MR, NE, SN, TD, TG).

Published:

— with international search report (Art. 21(3))

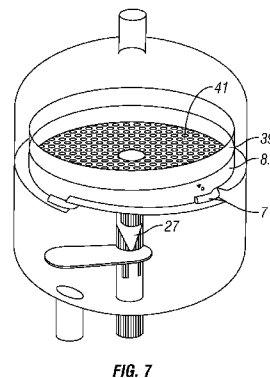
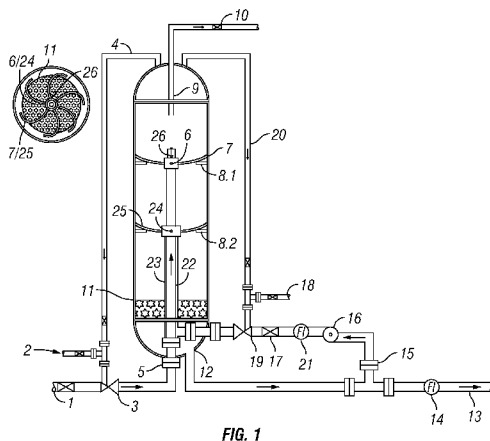
(48) Date of publication of this corrected version:

9 July 2015

(15) Information about Correction:

see Notice of 9 July 2015

(54) Title: APPARATUS AND METHOD FOR SEPARATION OF OIL FROM OIL-CONTAINING PRODUCED WATER



(57) Abstract: A process for separation of oil from oil-containing produced water as well as an apparatus for separation of oil from oil-containing produced water. A perforated baffle plate is arranged in a separator tank to provide for equalizing of the downwardly flow rate of produced water. The insertion of such baffle plates has shown that less oil is following the stream downward.

WO 2014/102581 A8