



- (51) International Patent Classification: *B29C 45/27* (2006.01)
- (21) International Application Number: PCT/US2011/022178
- (22) International Filing Date: 23 January 2011 (23.01.2011)
- (25) Filing Language: English
- (26) Publication Language: English
- (30) Priority Data:

61/300,252	1 February 2010 (01.02.2010)	US
61/307,930	25 February 2010 (25.02.2010)	US
- (71) Applicants (for all designated States except US): **HUSKY INJECTION MOLDING SYSTEMS LTD** [CA/CA]; 500 Queen Street South, Bolton, Ontario L7E 5S5 (CA). **OVERFIELD, Sarah, Kathleen** [US/US]; 767 East Road, Colchester, Vermont 05446 (US).
- (72) Inventor; and
- (75) Inventor/Applicant (for US only): **STUART, George, Leigh** [US/US]; 620 Goose Pond Road, Fairfax, Vermont 05454 (US).
- (74) Agent: **MUSGRAVE, Richard, J.**; 288 North Road, Milton, Vermont 05468 (US).
- (81) Designated States (unless otherwise indicated, for every kind of national protection available): AE, AG, AL, AM, AO, AT, AU, AZ, BA, BB, BG, BH, BR, BW, BY, BZ, CA, CH, CL, CN, CO, CR, CU, CZ, DE, DK, DM, DO, DZ, EC, EE, EG, ES, FI, GB, GD, GE, GH, GM, GT, HN, HR, HU, ID, IL, IN, IS, JP, KE, KG, KM, KN, KP, KR, KZ, LA, LC, LK, LR, LS, LT, LU, LY, MA, MD, ME, MG, MK, MN, MW, MX, MY, MZ, NA, NG, NI, NO, NZ, OM, PE, PG, PH, PL, PT, RO, RS, RU, SC, SD, SE, SG, SK, SL, SM, ST, SV, SY, TH, TJ, TM, TN, TR, TT, TZ, UA, UG, US, UZ, VC, VN, ZA, ZM, ZW.
- (84) Designated States (unless otherwise indicated, for every kind of regional protection available): ARIPO (BW, GH, GM, KE, LR, LS, MW, MZ, NA, SD, SL, SZ, TZ, UG,

[Continued on next page]

(54) Title: SIDE GATE NOZZLE ASSEMBLY

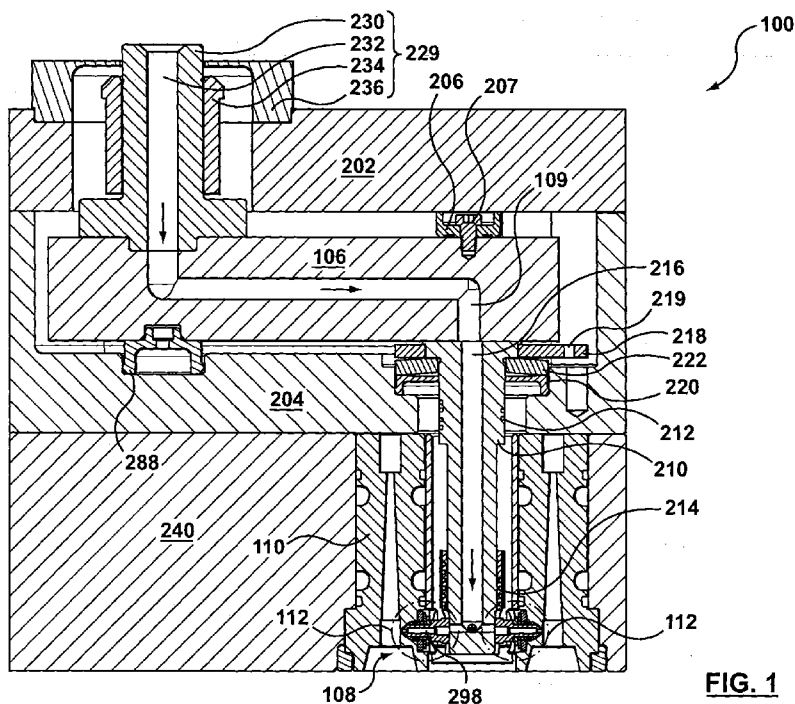


FIG. 1

[Continued on next page]



ZM, ZW), Eurasian (AM, AZ, BY, KG, KZ, MD, RU, TJ, TM), European (AL, AT, BE, BG, CH, CY, CZ, DE, DK, EE, ES, FI, FR, GB, GR, HR, HU, IE, IS, IT, LT, LU, LV, MC, MK, MT, NL, NO, PL, PT, RO, RS, SE, SI, SK, SM, TR), OAPI (BF, BJ, CF, CG, CI, CM, GA, GN, GQ, GW, ML, MR, NE, SN, TD, TG).

Published:

— *with international search report (Art. 21(3))*

(88) Date of publication of the international search report:

15 November 2012

Declarations under Rule 4.17:

— *as to applicant's entitlement to apply for and be granted a patent (Rule 4.17(ii))*

(57) Abstract: Disclosed is a side gate nozzle assembly (108) having a nozzle body (210) and at least one side gate nozzle tip assembly (112) wherein the nozzle body (210) and the at least one side gate nozzle tip assembly (112) are slidably engaged to each other.

INTERNATIONAL SEARCH REPORT

International application No.

PCT/US2011/022178

A. CLASSIFICATION OF SUBJECT MATTER IPC(8) - B29C 45/27 (2011.01) USPC - 425/568 According to International Patent Classification (IPC) or to both national classification and IPC		
B. FIELDS SEARCHED Minimum documentation searched (classification system followed by classification symbols) IPC(8) - B29C 45/00, 45/26, 45/27, 45/28, 45/30 (2011.01) USPC - 264/297.2, 328.15, 328.8; 425/542, 549, 568, 572, 588 Documentation searched other than minimum documentation to the extent that such documents are included in the fields searched Electronic data base consulted during the international search (name of data base and, where practicable, search terms used) Orbit, PatBase		
C. DOCUMENTS CONSIDERED TO BE RELEVANT		
Category*	Citation of document, with indication, where appropriate, of the relevant passages	Relevant to claim No.
X	US 2008/0044513 A1 (BABIN et al) 21 February 2008 (21.02.2008) entire document	1-5
A	US 2008/0279978 A1 (BABIN et al) 13 November 2008 (13.11.2008) entire document	1-5
A	US 5,591,465 A (BABIN) 07 January 1997 (07.01.1997) entire document	1-5
A	US 2002/0098262 A1 (BABIN) 25 July 2002 (25.07.2002) entire document	1-5
<input type="checkbox"/> Further documents are listed in the continuation of Box C. <input type="checkbox"/>		
* Special categories of cited documents: "A" document defining the general state of the art which is not considered to be of particular relevance "E" earlier application or patent but published on or after the international filing date "L" document which may throw doubts on priority claim(s) or which is cited to establish the publication date of another citation or other special reason (as specified) "O" document referring to an oral disclosure, use, exhibition or other means "P" document published prior to the international filing date but later than the priority date claimed "T" later document published after the international filing date or priority date and not in conflict with the application but cited to understand the principle or theory underlying the invention "X" document of particular relevance; the claimed invention cannot be considered novel or cannot be considered to involve an inventive step when the document is taken alone "Y" document of particular relevance; the claimed invention cannot be considered to involve an inventive step when the document is combined with one or more other such documents, such combination being obvious to a person skilled in the art "&" document member of the same patent family		
Date of the actual completion of the international search 08 March 2011		Date of mailing of the international search report 23 MAR 2011
Name and mailing address of the ISA/US Mail Stop PCT, Attn: ISA/US, Commissioner for Patents P.O. Box 1450, Alexandria, Virginia 22313-1450 Facsimile No. 571-273-3201		Authorized officer: Blaine R. Copenheaver PCT Helpdesk: 571-272-4300 PCT OSP: 571-272-7774