



US00D863857S

(12) **United States Design Patent**
Umholtz et al.

(10) **Patent No.:** **US D863,857 S**
(45) **Date of Patent:** **** Oct. 22, 2019**

- (54) **COFFEE MAKER AND CARAFE**
- (71) Applicants: **Mason Adam Umholtz**, Brooklyn, NY (US); **Neil Kwiatkowski**, Queens, NY (US); **Justin Zernhelt**, Brooklyn, NY (US)
- (72) Inventors: **Mason Adam Umholtz**, Brooklyn, NY (US); **Neil Kwiatkowski**, Queens, NY (US); **Justin Zernhelt**, Brooklyn, NY (US)
- (73) Assignee: **HELEN OF TROY LIMITED**, St. Michael (BB)

(**) Term: **15 Years**

(21) Appl. No.: **29/635,868**

(22) Filed: **Feb. 3, 2018**

(51) **LOC (12) Cl.** **07-01**

(52) **U.S. Cl.**
USPC **D7/310; D7/309; D7/311**

(58) **Field of Classification Search**
USPC D7/300, 306-311, 306-308, 305, 397, D7/355, 362, 365, 367, 399; 222/146.6, 222/185.1, 135; 99/295, 273, 304, 288, 99/279, 307, 283; D23/207, 209
CPC A47J 31/02; A47J 31/407; A47J 31/50; A47J 31/18; A47J 31/061; A47J 27/04; A47J 31/0573; A47J 31/52; B67D 1/0036
See application file for complete search history.

(56) **References Cited**

U.S. PATENT DOCUMENTS

4,920,868 A * 5/1990 Gehrman A47J 31/0573
285/347
D316,795 S * 5/1991 Brewer D7/308
D345,484 S * 3/1994 Mason D7/309

D454,023 S * 3/2002 Wang D7/309
D489,217 S * 5/2004 Seum D7/309
D496,213 S * 9/2004 Midden D7/309
D511,066 S * 11/2005 Garner D7/309
D541,097 S * 4/2007 Leverrier D7/300
D575,571 S * 8/2008 Hammad D7/300
D580,208 S * 11/2008 Cheng D7/306
D590,652 S * 4/2009 Cesaroni D7/309
D624,780 S * 10/2010 Bodum D7/309
D628,007 S * 11/2010 Di Bitonto D7/309
D669,154 S * 10/2012 Choi D23/207
D718,972 S * 12/2014 Jorgensen D7/309
D726,482 S * 4/2015 Cahen D7/309
D726,483 S * 4/2015 Lin D7/309
D760,010 S * 6/2016 Hellweg D7/309
D788,510 S * 6/2017 Steiner D7/306
D791,533 S * 7/2017 Bond D7/309
D793,146 S * 8/2017 Palermo D7/306
D812,952 S * 3/2018 Fedorak D7/306
D816,383 S * 5/2018 Liang D7/310
D832,019 S * 10/2018 Cahen D7/306
D836,371 S * 12/2018 Cahen D7/306
D843,765 S * 3/2019 Fedorak D7/306

(Continued)

Primary Examiner — Marianne N Pandozzi

(57) **CLAIM**

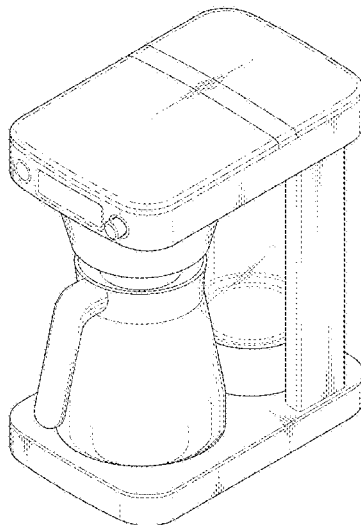
The ornamental design for a coffee maker and carafe, as shown, and described.

DESCRIPTION

FIG. 1 is a perspective view of the coffee maker and carafe; FIG. 2 is a front elevation view thereof; FIG. 3 is a rear elevation view thereof; FIG. 4 is a right side elevation view thereof; FIG. 5 is a left side elevation view thereof; FIG. 6 is a top view thereof; and, FIG. 7 is a bottom view thereof.

The broken lines depicting a power cord in FIGS. 3, 4, 5, 6 and 7 and environment in FIGS. 1-7 represent unclaimed matter and form no part of the claimed design.

1 Claim, 7 Drawing Sheets



(56)

References Cited

U.S. PATENT DOCUMENTS

D846,329 S * 4/2019 Zimmermann D7/310
2018/0215603 A1 * 8/2018 Hecht B67D 1/0036

* cited by examiner

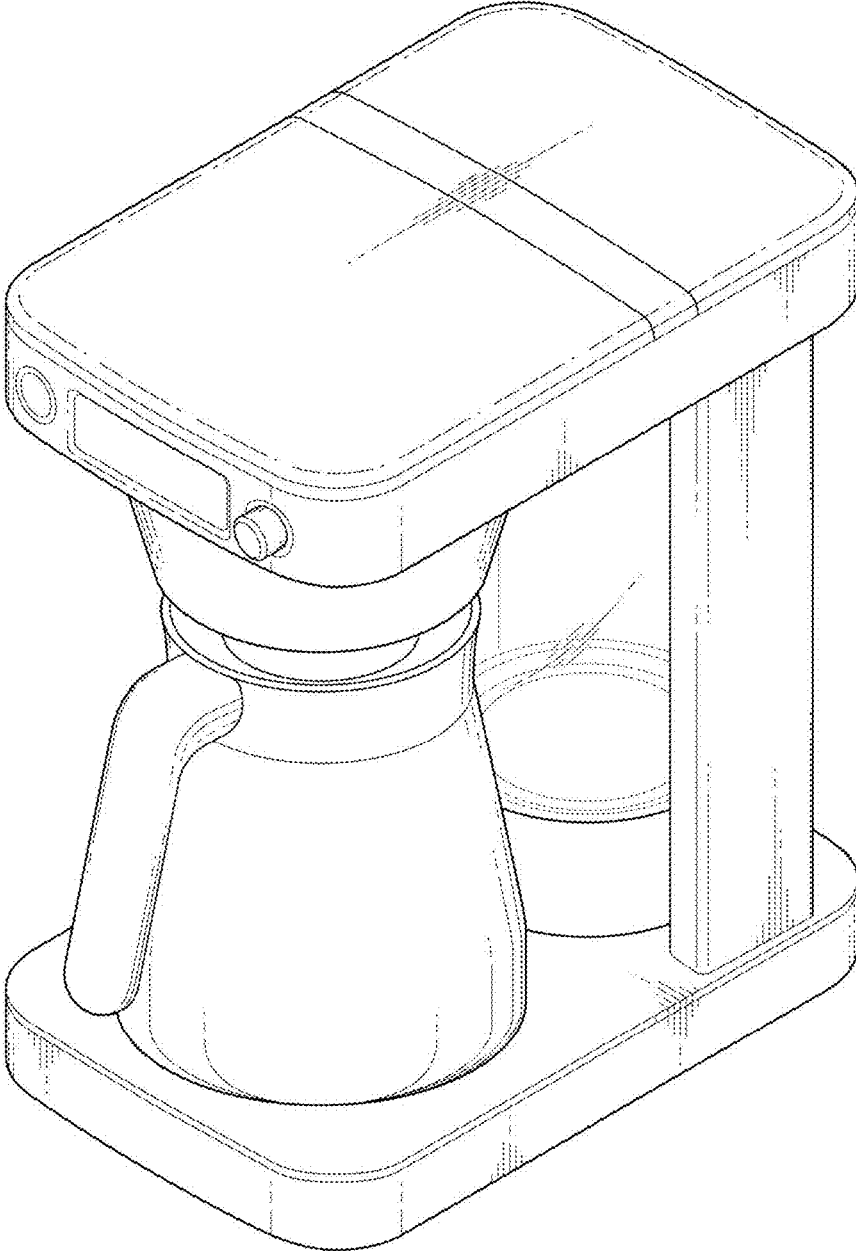


FIG. 1

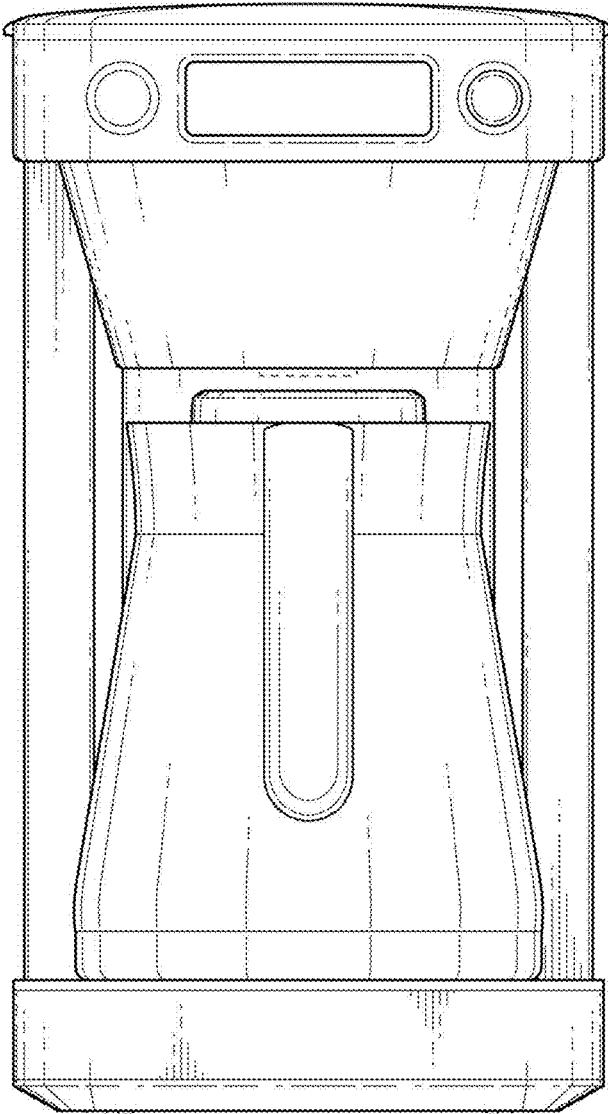


FIG. 2

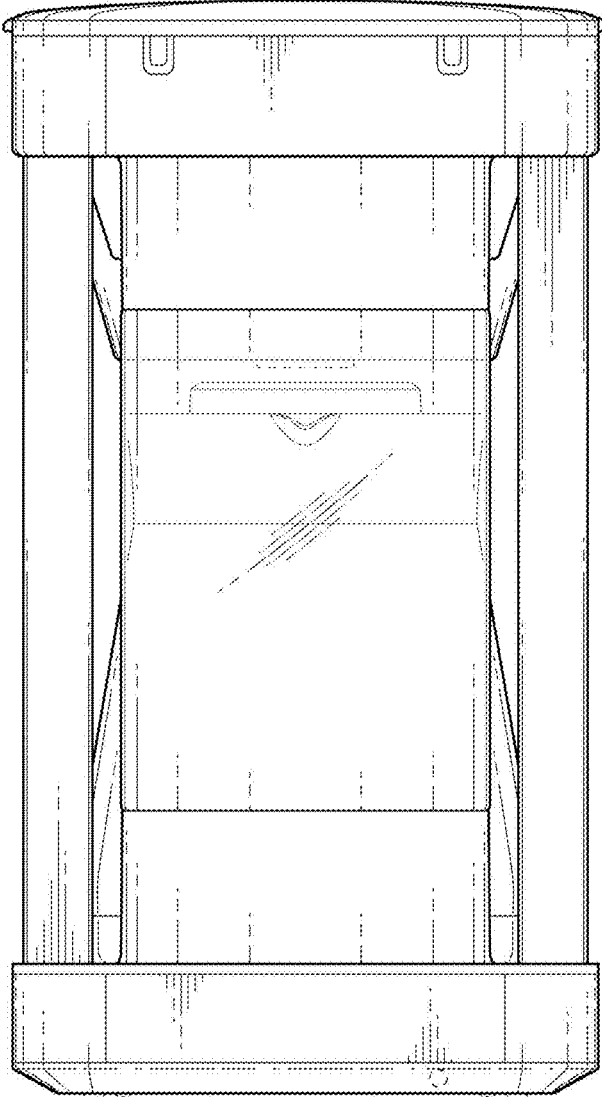


FIG. 3

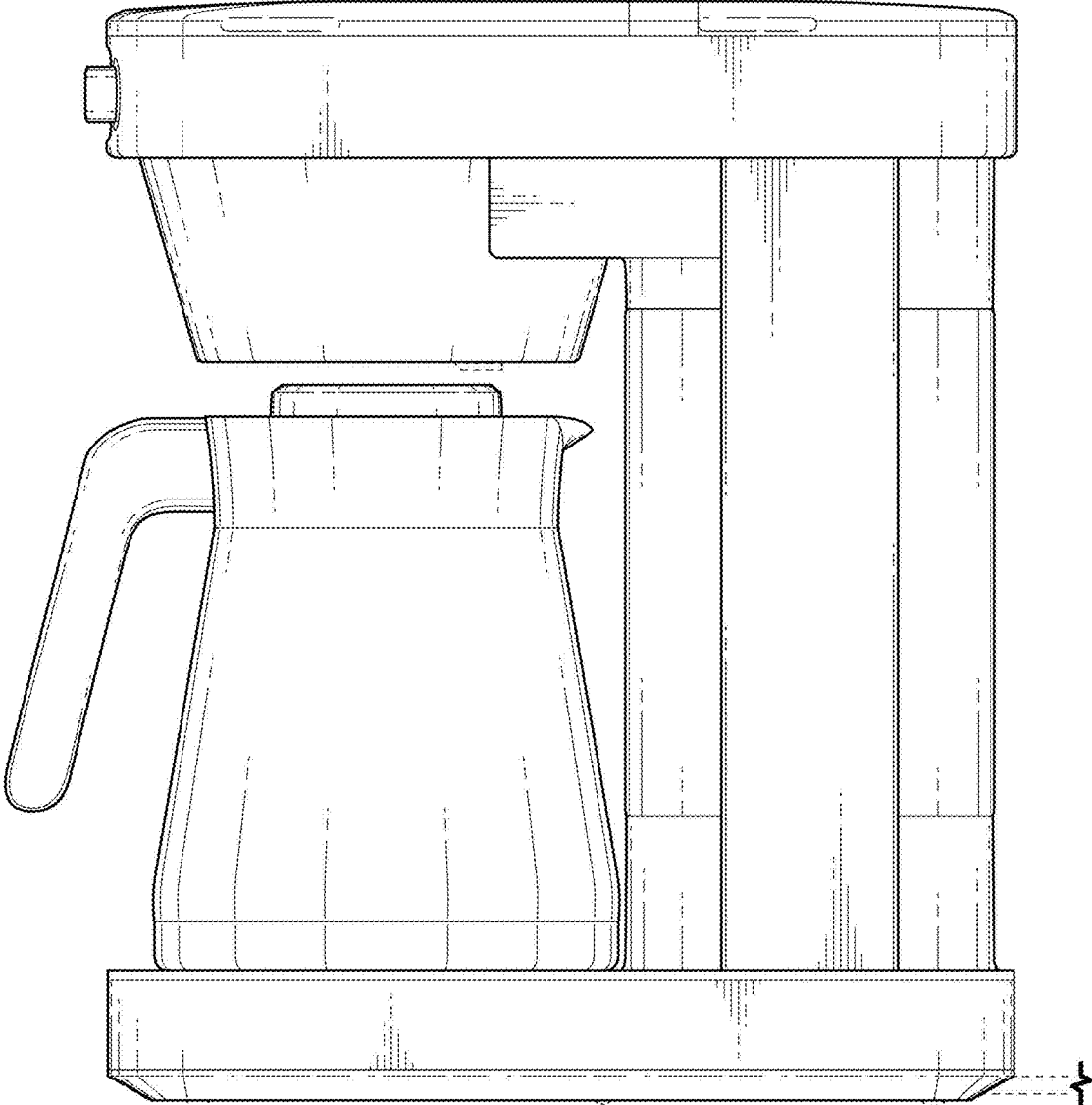


FIG. 4

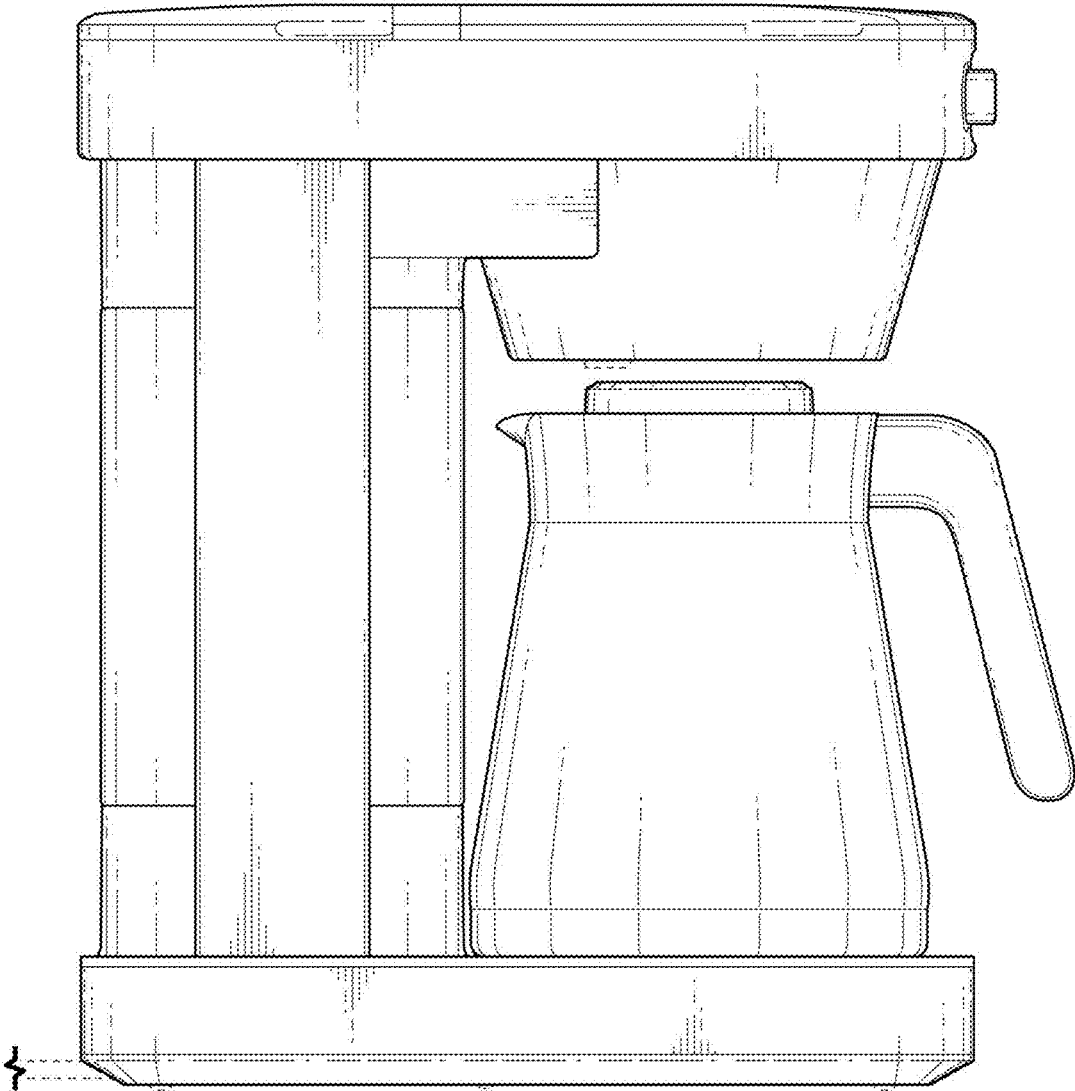


FIG. 5

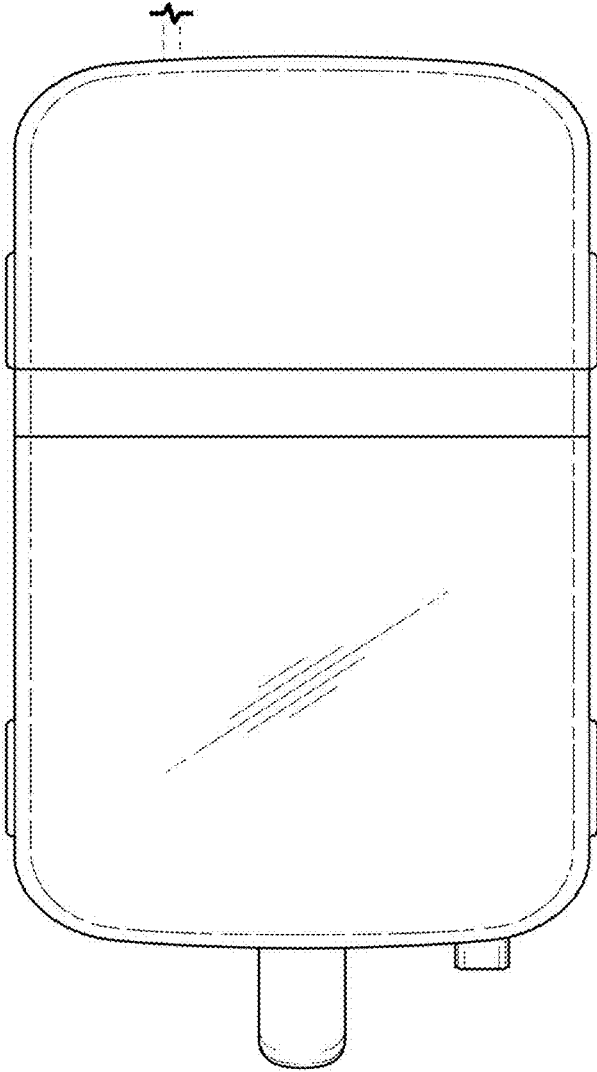


FIG. 6

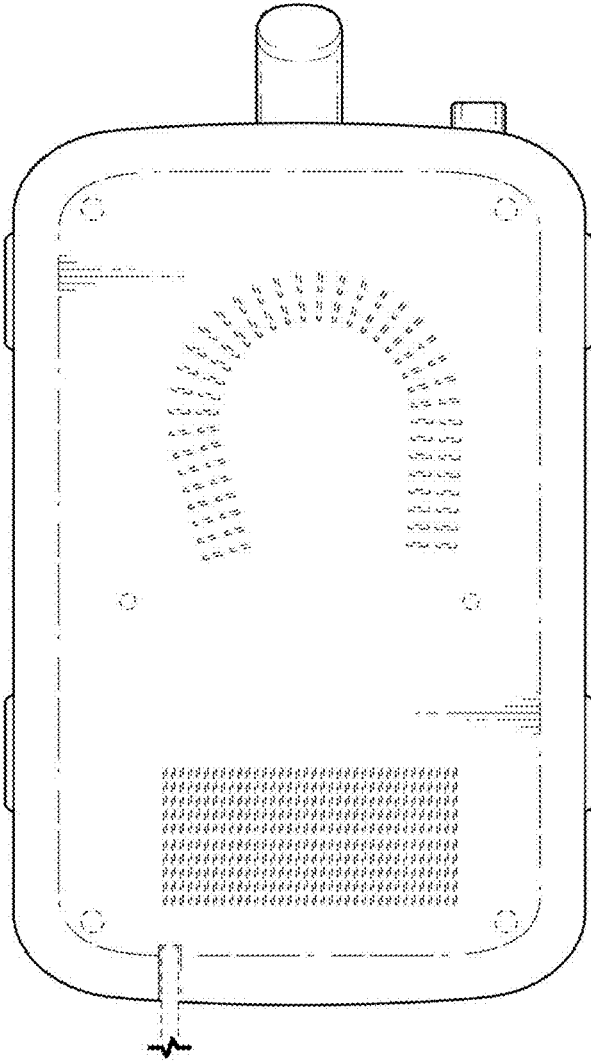


FIG. 7