



US00D852093S

(12) **United States Design Patent**  
**Kozub**

(10) **Patent No.:** **US D852,093 S**

(45) **Date of Patent:** **\*\* Jun. 25, 2019**

(54) **VEHICLE, TOY REPLICA, AND/OR OTHER REPLICA**

(71) Applicant: **GM GLOBAL TECHNOLOGY OPERATIONS LLC**, Detroit, MI (US)

(72) Inventor: **Timothy P. Kozub**, Troy, MI (US)

(73) Assignee: **GM GLOBAL TECHNOLOGIES OPERATIONS LLC**, Detroit, MI (US)

(\*\*) Term: **15 Years**

(21) Appl. No.: **29/624,299**

(22) Filed: **Oct. 31, 2017**

(51) **LOC (11) Cl.** ..... **12-08**

(52) **U.S. Cl.**  
USPC ..... **D12/98**

(58) **Field of Classification Search**  
USPC ..... D12/86, 90-92, 88, 98; D21/424, 433, D21/434, 533; 296/181.1, 181.5, 181.3, 296/183.1, 37.6  
CPC ..... B60R 9/06; B62D 35/00  
See application file for complete search history.

D608,691 S	1/2010	Zak, Jr. et al.
D609,608 S	2/2010	Boniface et al.
D611,387 S	3/2010	Thompson et al.
D611,879 S	3/2010	Kim et al.
D612,297 S	3/2010	Peters et al.
D613,645 S	4/2010	Song et al.
D615,458 S	5/2010	Thompson et al.
D618,595 S	6/2010	Ware et al.
D623,090 S	9/2010	Cox et al.
D627,262 S	11/2010	Ikeda et al.
D635,488 S	4/2011	Phipps
D644,147 S	8/2011	Suh et al.
D644,567 S	9/2011	Kozub
D657,718 S	4/2012	Zipfel et al.
D659,052 S	5/2012	Ware et al.
D659,053 S	5/2012	Ware et al.
D668,182 S	10/2012	Barba Franco et al.
D668,183 S	10/2012	Smart
D678,820 S	3/2013	Son et al.
D678,821 S	3/2013	Ikeda et al.
D680,909 S	4/2013	Munson et al.

(Continued)

*Primary Examiner* — Melody N Brown

(57) **CLAIM**

The ornamental design for a vehicle, toy replica, and/or other replica, as shown and described.

**DESCRIPTION**

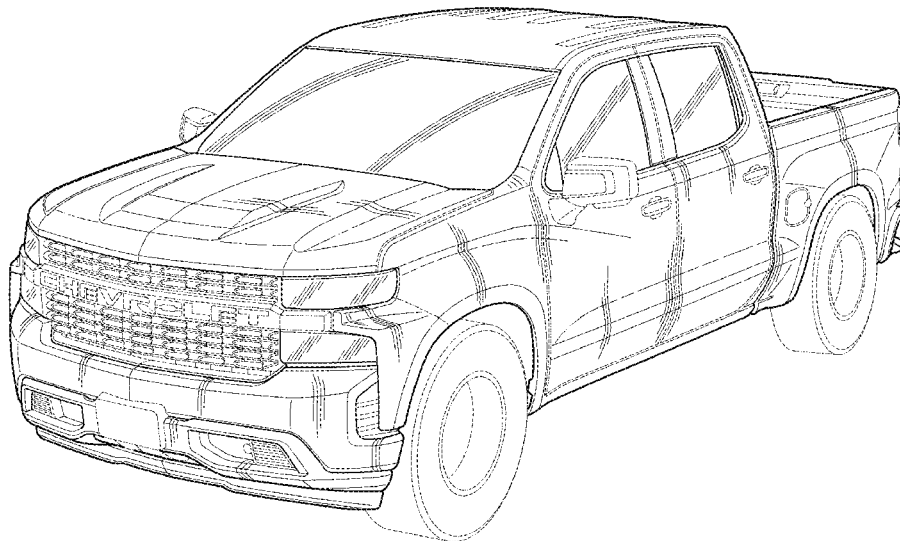
FIG. 1 is a front elevation view of a vehicle, toy replica and/or other replica showing my new design; FIG. 2 is a front and left side perspective view thereof; FIG. 3 is a left side elevational view thereof; FIG. 4 is a right side elevational view thereof; FIG. 5 is a rear and left side perspective view thereof; FIG. 6 is a top plan view thereof; and, FIG. 7 is a rear elevational view thereof. The broken lines in the drawings illustrate portions of the vehicle, toy replica, and/or other replica that form no part of the claimed designs.

**1 Claim, 6 Drawing Sheets**

(56) **References Cited**

**U.S. PATENT DOCUMENTS**

D570,742 S	6/2008	Takagi et al.
D592,105 S	5/2009	Dean et al.
D597,447 S	8/2009	Folden
D600,595 S	9/2009	Nakamura et al.
D601,925 S	10/2009	O'Donnell
D603,755 S	11/2009	Peters
D604,203 S	11/2009	O'Donnell
D605,082 S	12/2009	Munson
D605,083 S	12/2009	Manoogian, II et al.
D605,977 S	12/2009	Zipfel et al.
D605,978 S	12/2009	Wolff et al.
D608,249 S	1/2010	Peters
D608,690 S	1/2010	Folden et al.



(56)

References Cited

U.S. PATENT DOCUMENTS

D680,910 S	4/2013	David	D753,567 S	4/2016	Boniface et al.
D684,899 S	6/2013	Baker	D754,571 S	4/2016	Boniface et al.
D686,536 S	7/2013	McCabe et al.	D754,572 S	4/2016	McMahan et al.
D692,798 S	11/2013	Thurber	D755,088 S	5/2016	McMahan et al.
D692,799 S	11/2013	Smith et al.	D756,869 S	5/2016	McMahan et al.
D696,157 S	12/2013	Loeb	D758,271 S	6/2016	McMahan et al.
D699,629 S	2/2014	Ikeda et al.	D764,975 S	8/2016	Aengenheyster
D700,871 S *	3/2014	O'Donnell ..... D12/98	D764,976 S	8/2016	Aengenheyster
D703,103 S	4/2014	Lee	D764,980 S	8/2016	Platto ..... D12/98
D704,103 S	5/2014	Mack et al.	D767,449 S	9/2016	Pevovar et al.
D705,132 S	5/2014	Ware et al.	D767,450 S	9/2016	Lee et al.
D705,699 S	5/2014	Ware et al.	D767,451 S	9/2016	Kozub et al.
D713,298 S	9/2014	Dyson	D767,454 S	9/2016	McMahan et al.
D713,764 S	9/2014	Ferlazzo et al.	D767,458 S	9/2016	Kim
D716,696 S	11/2014	Thole et al.	D767,459 S	9/2016	Kim
D716,706 S	11/2014	Thole et al.	D767,460 S	9/2016	Kozub et al.
D716,709 S	11/2014	Thole et al.	D767,461 S	9/2016	Kozub et al.
D717,696 S	11/2014	Thole et al.	D771,528 S	11/2016	Smith et al.
D718,189 S	11/2014	Krieg et al.	D771,529 S	11/2016	Thole et al.
D718,683 S	12/2014	Thole et al.	D771,532 S	11/2016	Kapitonov
D722,282 S	2/2015	Loeb	D771,533 S	11/2016	Kapitonov
D722,533 S	2/2015	Thole et al.	D772,766 S	11/2016	Kozub et al.
D722,534 S	2/2015	Munson et al.	D772,767 S	11/2016	Kim
D724,510 S	3/2015	McMahan et al.	D773,084 S	11/2016	Kapitonov
D725,001 S	3/2015	McMahan et al.	D773,086 S	11/2016	McCabe et al.
D726,591 S	4/2015	Jacob	D774,226 S	12/2016	McCabe et al.
D730,776 S	6/2015	Smart	D775,003 S	12/2016	Pevovar et al.
D730,783 S	6/2015	Henriques et al.	D775,007 S	12/2016	Thole et al.
D732,427 S	6/2015	Loeb	D775,010 S	12/2016	Kim et al.
D732,429 S	6/2015	Loeb	D775,049 S	12/2016	Scheer et al.
D732,430 S	6/2015	Loeb	D775,549 S	1/2017	Karras
D732,431 S	6/2015	Loeb	D775,554 S	1/2017	Kapitonov
D732,432 S	6/2015	Aengenheyster	D776,020 S	1/2017	Kapitonov
D732,433 S	6/2015	Aengenheyster	D776,581 S	1/2017	Pevovar et al.
D732,435 S	6/2015	Mackay	D776,583 S	1/2017	Scheer et al.
D733,002 S	6/2015	Loeb	D776,841 S	1/2017	Kozub et al.
D735,611 S	8/2015	Aengenheyster	D776,843 S	1/2017	McCabe et al.
D735,627 S	8/2015	Smith	D776,846 S	1/2017	Willett et al.
D736,451 S	8/2015	Smith	D777,359 S	1/2017	Kozub et al.
D739,306 S *	9/2015	McMahan ..... D12/98	D777,360 S	1/2017	Kozub et al.
D739,317 S	9/2015	McMahan et al.	D777,361 S	1/2017	Kozub et al.
D741,223 S	10/2015	Kim et al.	D777,604 S	1/2017	McNerney
D743,309 S	11/2015	Thole et al.	D777,605 S	1/2017	Ferlazzo et al.
D743,313 S	11/2015	Smith et al.	D777,620 S	1/2017	Pevovar et al.
D743,314 S	11/2015	Thole et al.	D777,621 S	1/2017	Kim
D743,857 S	11/2015	McMahan et al.	D777,622 S	1/2017	Kozub et al.
D744,158 S	11/2015	Willett et al.	D777,628 S	1/2017	Kozub et al.
D745,086 S	12/2015	Finos et al.	D777,955 S	1/2017	Willett et al.
D745,719 S	12/2015	Boniface et al.	D778,212 S	2/2017	Kozub et al.
D745,725 S	12/2015	McMahan et al.	D778,215 S	2/2017	Kozub et al.
D745,726 S	12/2015	McMahan et al.	D780,064 S	2/2017	Smith et al.
D745,837 S	12/2015	Smith et al.	D780,067 S	2/2017	Zipfel et al.
D746,726 S	1/2016	Smith et al.	D780,068 S	2/2017	Whitla et al.
D746,727 S	1/2016	Smith et al.	D780,077 S	2/2017	Kim et al.
D746,728 S	1/2016	Smith et al.	D780,081 S	2/2017	Lee
D746,729 S	1/2016	Boniface et al.	D780,084 S	2/2017	Scheer et al.
D746,730 S	1/2016	Kim et al.	D780,631 S	3/2017	Kozub et al.
D747,514 S	1/2016	McMahan et al.	D780,644 S	3/2017	Kim et al.
D747,515 S	1/2016	McMahan et al.	D781,184 S	3/2017	Thole et al.
D747,819 S	1/2016	Thole et al.	D781,192 S	3/2017	Kozub et al.
D749,021 S	2/2016	Boniface et al.	D782,379 S	3/2017	Wassell
D749,026 S	2/2016	Smith et al.	D783,482 S	4/2017	Smith et al.
D749,027 S	2/2016	McMahan et al.	D784,213 S	4/2017	Karras
D749,246 S	2/2016	Thole et al.	D784,223 S	4/2017	Lee
D749,249 S	2/2016	Thole et al.	D784,226 S	4/2017	Cheng
D749,250 S	2/2016	Thole et al.	D784,579 S	4/2017	Cheng et al.
D749,985 S	2/2016	Kozub et al.	D784,877 S	4/2017	Lee
D749,997 S	2/2016	McMahan et al.	D784,886 S	4/2017	Smith et al.
D750,001 S	2/2016	Thole et al.	D785,521 S	5/2017	Smith et al.
D753,032 S	4/2016	Smith et al.	D786,149 S	5/2017	Pevovar et al.
D753,033 S	4/2016	Thole et al.	D786,743 S	5/2017	Smith et al.
D753,034 S	4/2016	Thole et al.	D786,750 S	5/2017	Lee
D753,035 S	4/2016	Boniface et al.	D787,446 S	5/2017	Cockerill
D753,559 S	4/2016	McMahan et al.	D787,984 S	5/2017	Fang
D753,560 S	4/2016	McMahan et al.	D787,988 S	5/2017	Lee
			D787,989 S	5/2017	Kozub et al.
			D787,990 S	5/2017	Kozub et al.
			D787,992 S	5/2017	Lee
			D787,993 S	5/2017	McCabe et al.

(56)

References Cited

U.S. PATENT DOCUMENTS

D788,001 S	5/2017	Lee	D793,917 S	8/2017	Kozub	
D788,641 S	6/2017	Arnold	D793,918 S	8/2017	Kozub	
D788,644 S	6/2017	Mueller	D794,229 S	8/2017	Barry	
D788,645 S	6/2017	Mueller	D794,230 S	8/2017	Kozub	
D789,250 S	6/2017	Arnold	D795,747 S	8/2017	Bailie	
D789,260 S	6/2017	Smith	D795,757 S	8/2017	Pevovar et al.	
D789,575 S	6/2017	Willett	D795,758 S	8/2017	Karras	
D789,841 S	6/2017	Lee	D795,759 S	8/2017	Kozub et al.	
D789,849 S	6/2017	Lee	D795,760 S	8/2017	Kozub et al.	
D791,018 S	7/2017	Mylenek	D795,762 S	8/2017	Lee	
D791,644 S	7/2017	Fang	D795,763 S	8/2017	Kozub	
D792,290 S	7/2017	Smith et al.	D796,088 S	8/2017	McCabe et al.	
D792,293 S	7/2017	McCabe et al.	D796,093 S	8/2017	Mainville	
D792,294 S	7/2017	McCabe et al.	D796,390 S	9/2017	Pevovar et al.	
D792,295 S	7/2017	McCabe et al.	D797,537 S	9/2017	Cooper et al.	
D792,815 S	7/2017	Kozub	D797,603 S	9/2017	Noone et al.	
D792,816 S	7/2017	Kozub	D797,614 S	9/2017	Lee	
D793,290 S	8/2017	Kozub	D797,616 S	9/2017	Lee	
D793,292 S	8/2017	Lee	D797,624 S	9/2017	Nakamura	
D793,293 S	8/2017	Lee et al.	D797,625 S	9/2017	Perkins	
D793,294 S	8/2017	Lee	D797,631 S	9/2017	Pevovar et al.	
D793,295 S	8/2017	McCabe et al.	D797,632 S	9/2017	Zipfel et al.	
D793,296 S	8/2017	Smith et al.	D797,967 S	9/2017	Barry	
D793,297 S	8/2017	Smith et al.	D797,970 S	9/2017	Mainville	
D793,299 S	8/2017	Kreig et al.	D797,971 S	9/2017	Mainville	
D793,300 S	8/2017	Kreig et al.	D797,972 S	9/2017	Whitla et al.	
D793,301 S	8/2017	Kozub	D798,204 S	9/2017	Mainville	
D793,302 S	8/2017	Kozub	D799,384 S	10/2017	Kozub et al.	
D793,311 S	8/2017	Whitla et al.	D799,385 S	10/2017	Kozub et al.	
D793,590 S	8/2017	Kozub et al.	D799,386 S	10/2017	Kozub et al.	
D793,591 S	8/2017	Kozub et al.	D799,728 S	10/2017	Whitla et al.	
			D803,727 S *	11/2017	Noone .....	D12/98
			D837,099 S *	1/2019	Ninov .....	D12/98
			D837,694 S *	1/2019	Ninov .....	D12/98

\* cited by examiner

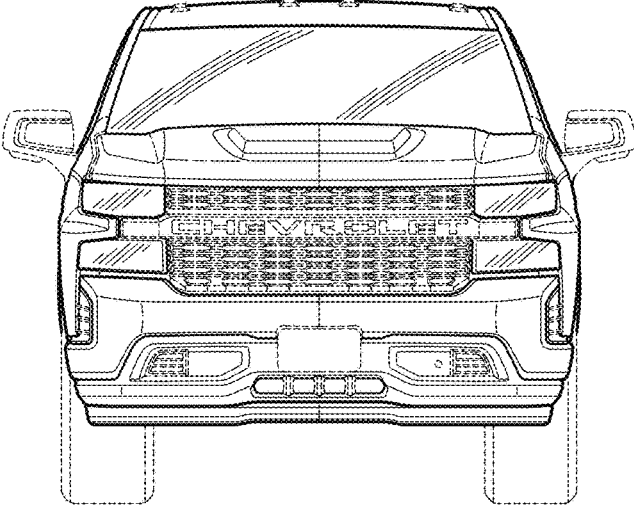


FIG. 1

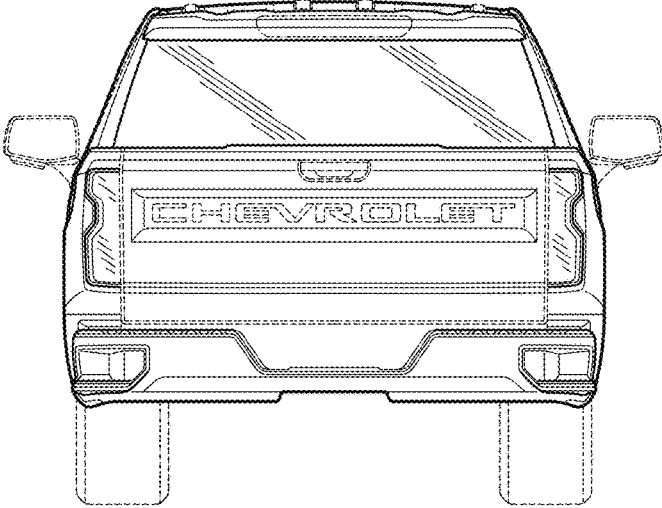


FIG. 7

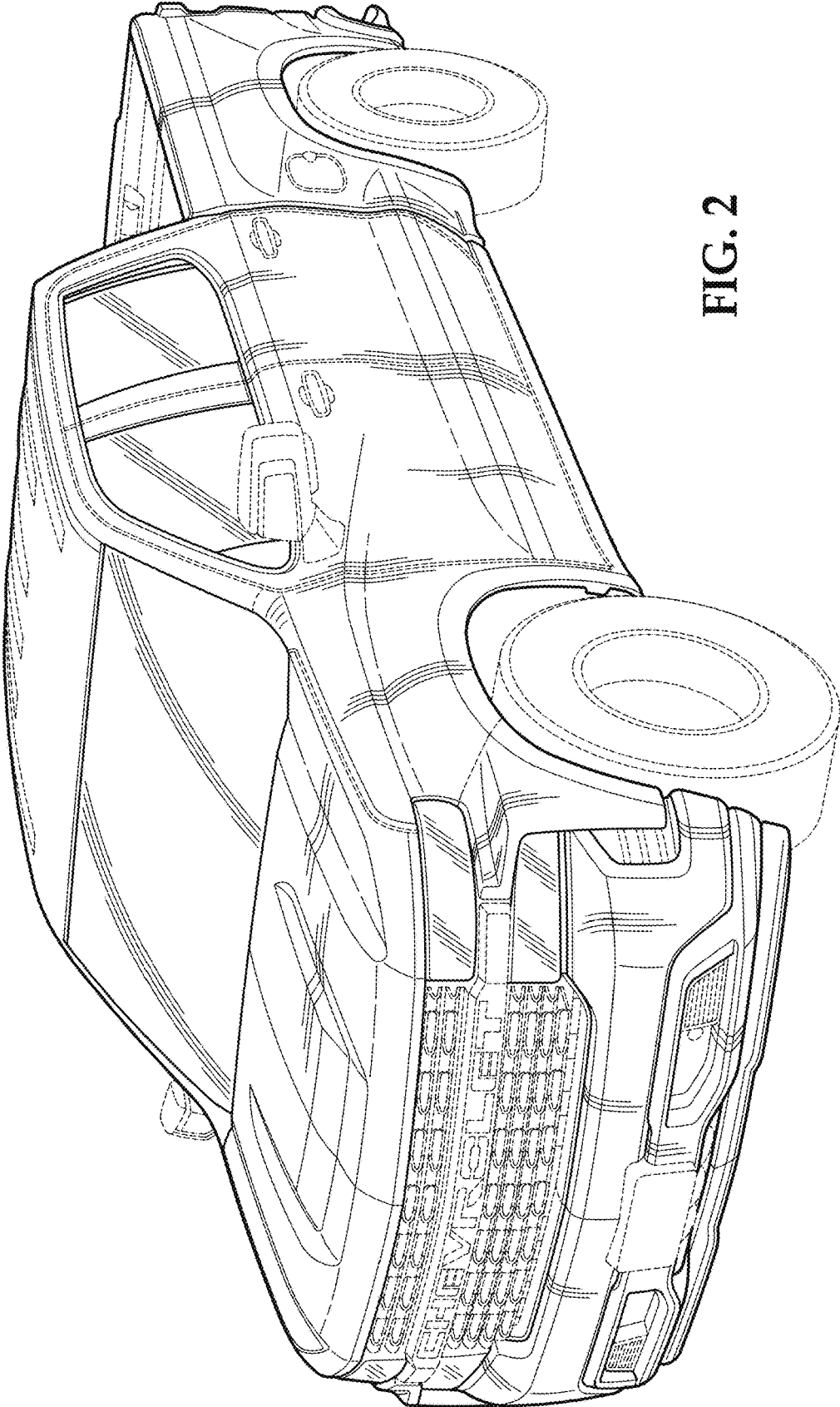


FIG. 2

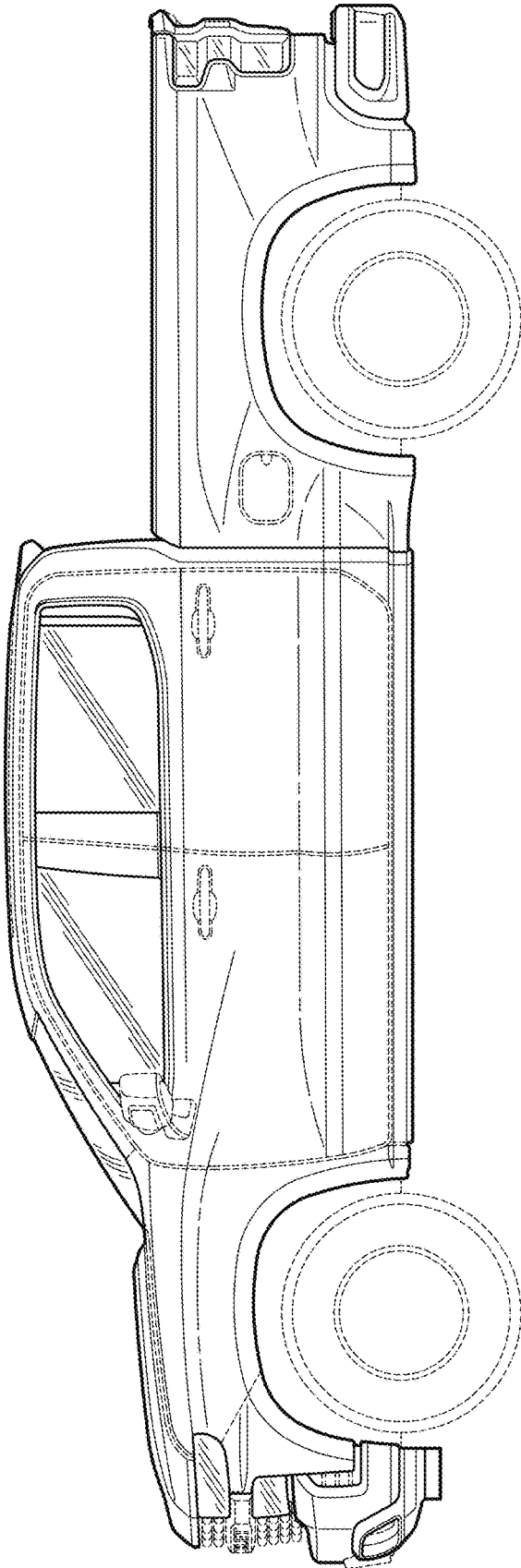


FIG. 3

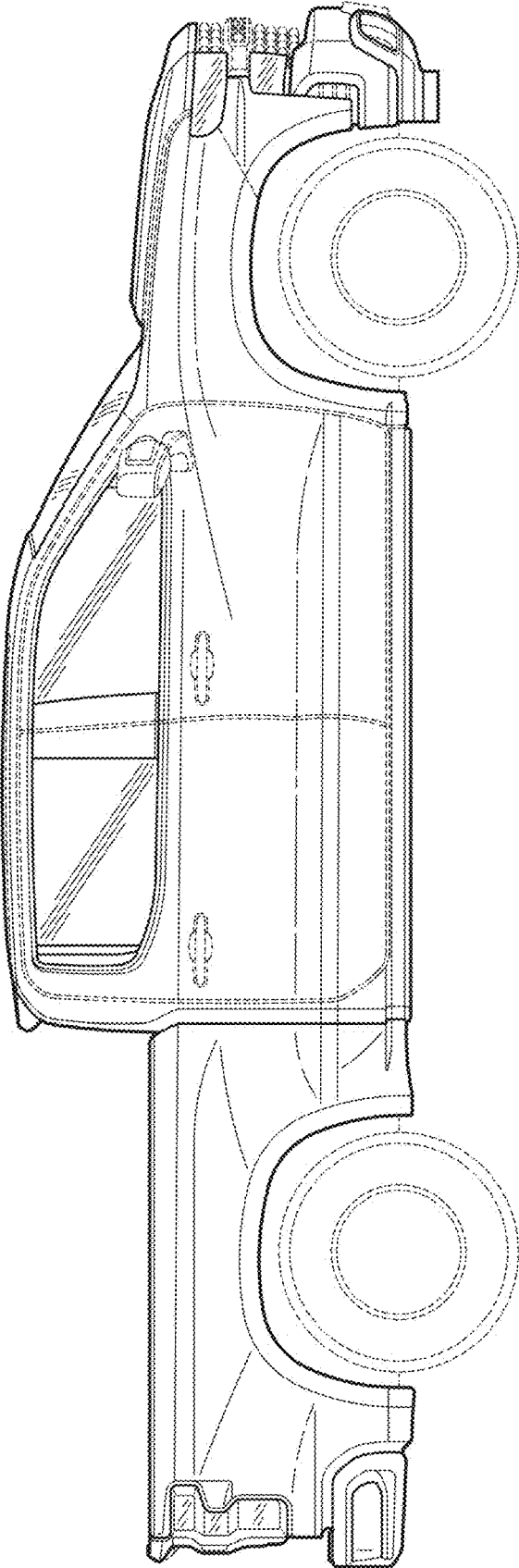


FIG. 4

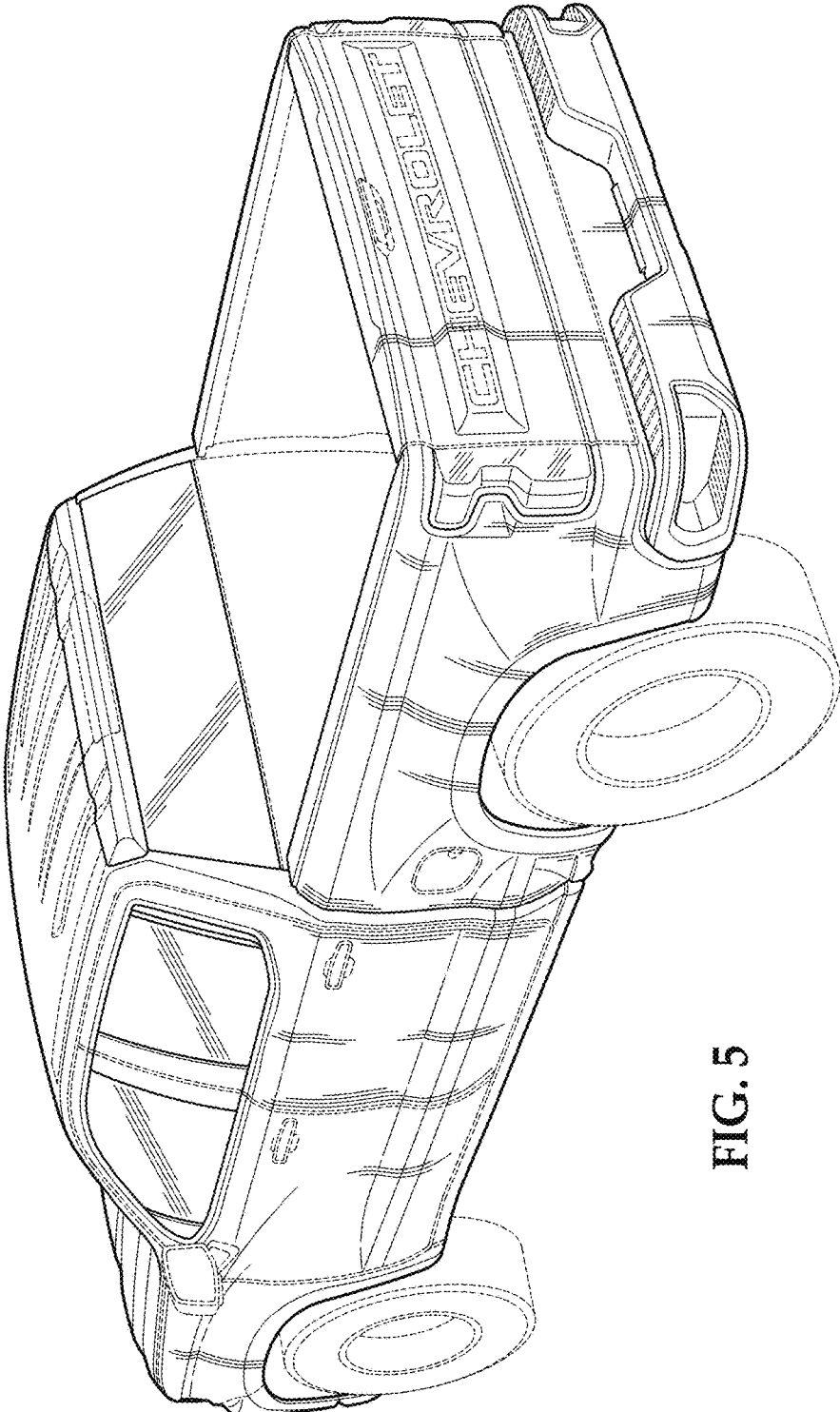


FIG. 5



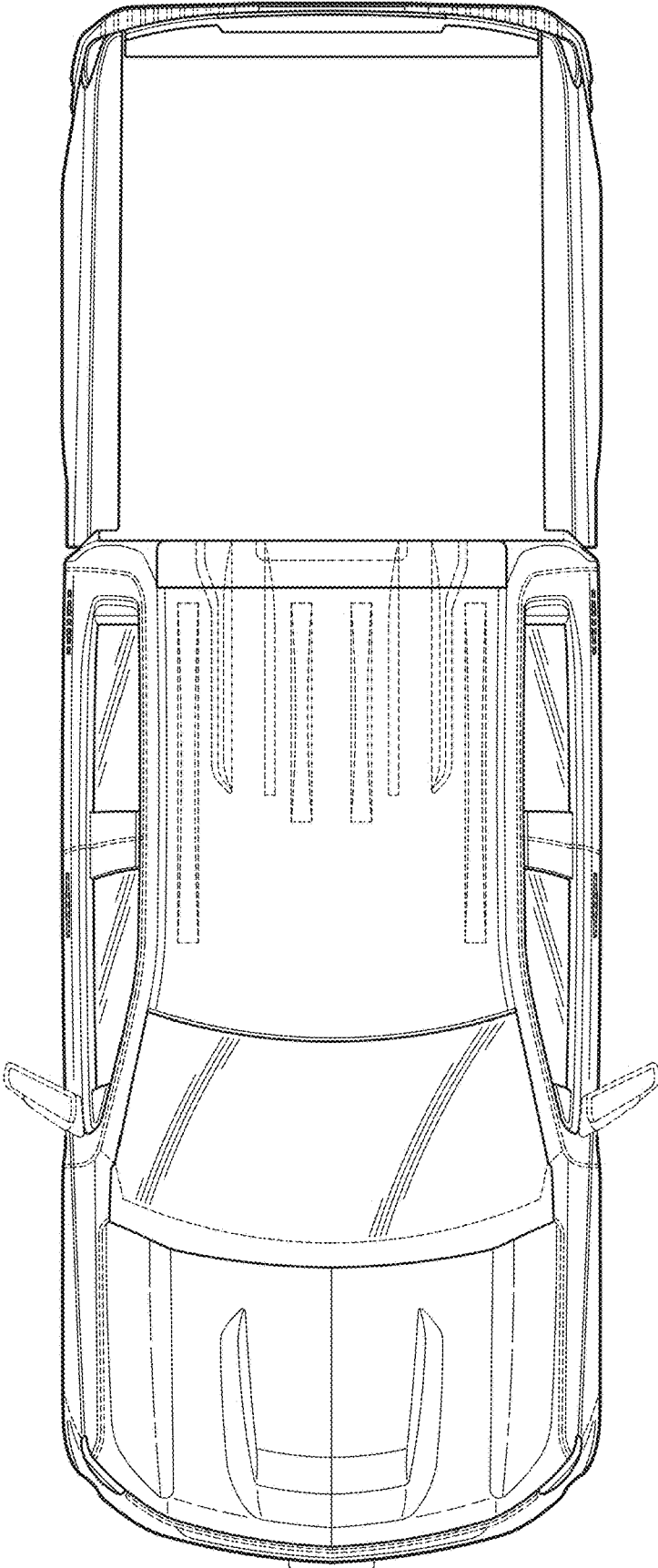


FIG. 6