

(19) World Intellectual Property Organization  
International Bureau



(43) International Publication Date  
25 June 2009 (25.06.2009)

(10) International Publication Number  
**WO 2009/079523 A3**

- (51) International Patent Classification:  
*D01D 5/18* (2006.01) *D01D 5/00* (2006.01)
- (21) International Application Number:  
PCT/US2008/087058
- (22) International Filing Date:  
17 December 2008 (17.12.2008)
- (25) Filing Language: English
- (26) Publication Language: English
- (30) Priority Data:  
61/007,881 17 December 2007 (17.12.2007) US
- (71) Applicant (for all designated States except US): **E. I. DU PONT DE NEMOURS AND COMPANY** [US/US];  
1007 Market Street, Wilmington, Delaware 19898 (US).
- (72) Inventor; and
- (75) Inventor/Applicant (for US only): **HUANG, Tao** [CA/US]; 894 Williamburg Boulevard, Downingtown, Pennsylvania 19335 (US).
- (74) Agent: **BENJAMIN, Steven, C.**; E. I. du Pont de Nemours and Company, Legal Patent Records Center, 4417 Lancaster Pike, Wilmington, Delaware 19805 (US).
- (81) Designated States (unless otherwise indicated, for every kind of national protection available): AE, AG, AL, AM, AO, AT, AU, AZ, BA, BB, BG, BH, BR, BW, BY, BZ,

CA, CH, CN, CO, CR, CU, CZ, DE, DK, DM, DO, DZ, EC, EE, EG, ES, FI, GB, GD, GE, GH, GM, GT, HN, HR, HU, ID, IL, IN, IS, JP, KE, KG, KM, KN, KP, KR, KZ, LA, LC, LK, LR, LS, LT, LU, LY, MA, MD, ME, MG, MK, MN, MW, MX, MY, MZ, NA, NG, NI, NO, NZ, OM, PG, PH, PL, PT, RO, RS, RU, SC, SD, SE, SG, SK, SL, SM, ST, SV, SY, TJ, TM, TN, TR, TT, TZ, UA, UG, US, UZ, VC, VN, ZA, ZM, ZW.

(84) Designated States (unless otherwise indicated, for every kind of regional protection available): ARIPO (BW, GH, GM, KE, LS, MW, MZ, NA, SD, SL, SZ, TZ, UG, ZM, ZW), Eurasian (AM, AZ, BY, KG, KZ, MD, RU, TJ, TM), European (AT, BE, BG, CH, CY, CZ, DE, DK, EE, ES, FI, FR, GB, GR, HR, HU, IE, IS, IT, LT, LU, LV, MC, MT, NL, NO, PL, PT, RO, SE, SI, SK, TR), OAPI (BF, BJ, CF, CG, CI, CM, GA, GN, GQ, GW, ML, MR, NE, SN, TD, TG).

Published:

- with international search report (Art. 21(3))
- before the expiration of the time limit for amending the claims and to be republished in the event of receipt of amendments (Rule 48.2(h))

(88) Date of publication of the international search report:  
1 October 2009

(54) Title: CENTRIFUGAL SOLUTION SPUN NANOFIBER PROCESS

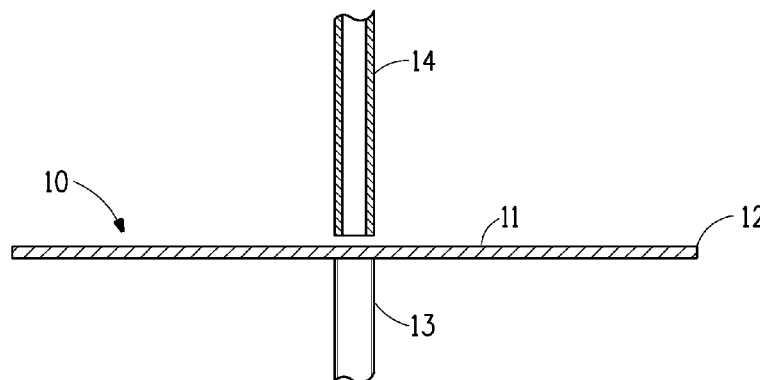


FIG. 1

(57) Abstract: The invention relates to a process for forming nanofibers from a spinning solution utilizing a high speed rotating spin disk having a flat surface. The nanofibers can be collected into a uniform web for selective barrier end uses.



WO 2009/079523 A3

# INTERNATIONAL SEARCH REPORT

International application No  
PCT/US2008/087058

**A. CLASSIFICATION OF SUBJECT MATTER**  
 INV. D01D5/18 D01D5/00

According to International Patent Classification (IPC) or to both national classification and IPC

**B. FIELDS SEARCHED**

Minimum documentation searched (classification system followed by classification symbols)  
 D01D

Documentation searched other than minimum documentation to the extent that such documents are included in the fields searched

Electronic data base consulted during the international search (name of data base and, where practical, search terms used)  
 EPO-Internal, WPI Data

**C. DOCUMENTS CONSIDERED TO BE RELEVANT**

Category*	Citation of document, with indication, where appropriate, of the relevant passages	Relevant to claim No.
X	WO 2007/110783 A (LARSEN GUSTAVO [US]; SPRETZ RUBEN [US]; VELARDE-ORTIZ RAFFET [US]) 4 October 2007 (2007-10-04) figure 2 paragraphs [0042], [0043], [0045] paragraphs [0049], [0050], [0058] paragraphs [0072], [0073]	1-11, 15-20, 22
X	CN 1 472 373 A (CHANGCHUN APPLIED CHEMISTRY [CN]) 4 February 2004 (2004-02-04) abstract	1-11, 15
A	WO 2007/126674 A (DU PONT [US]; MARSHALL LARRY R [US]; ARMANTROUT JACK EUGENE [US]; HUAN) 8 November 2007 (2007-11-08) example 1 page 3, line 10 - page 5, line 10	1-26
-/--		

Further documents are listed in the continuation of Box C.       See patent family annex.

\* Special categories of cited documents :

*A* document defining the general state of the art which is not considered to be of particular relevance *E* earlier document but published on or after the international filing date *L* document which may throw doubts on priority claim(s) or which is cited to establish the publication date of another citation or other special reason (as specified) *O* document referring to an oral disclosure, use, exhibition or other means *P* document published prior to the international filing date but later than the priority date claimed	*T* later document published after the international filing date or priority date and not in conflict with the application but cited to understand the principle or theory underlying the invention *X* document of particular relevance; the claimed invention cannot be considered novel or cannot be considered to involve an inventive step when the document is taken alone *Y* document of particular relevance; the claimed invention cannot be considered to involve an inventive step when the document is combined with one or more other such documents, such combination being obvious to a person skilled in the art. *&* document member of the same patent family
---	---

Date of the actual completion of the international search	Date of mailing of the international search report
18 June 2009	10/08/2009

Name and mailing address of the ISA/ European Patent Office, P.B. 5818 Patentlaan 2 NL - 2280 HV Rijswijk Tel. (+31-70) 340-2040, Fax: (+31-70) 340-3016	Authorized officer  <p style="text-align: center;">Malik, Jan</p>
--	---

## INTERNATIONAL SEARCH REPORT

International application No

PCT/US2008/087058

C(Continuation). DOCUMENTS CONSIDERED TO BE RELEVANT

Category*	Citation of document, with indication, where appropriate, of the relevant passages	Relevant to claim No.
A	US 4 675 140 A (SPARKS ROBERT E [US] ET AL) 23 June 1987 (1987-06-23) figures 1-3 column 6, line 64 - column 9, line 32 column 13, line 35 - column 15, line 44 -----	1-14
P,X	WEITZ R.T. A AL.: "Polymer Nanofibers via Nozzle-Free Centrifugal Spinning" NANO LETTERS, vol. 8, no. 4, 29 February 2008 (2008-02-29), pages 1187-1191, XP002532769 abstract page 1187, column 2; figure S1 page 1189, column 2; table 1 -----	1-3,7-11

# INTERNATIONAL SEARCH REPORT

Information on patent family members

International application No

PCT/US2008/087058

Patent document cited in search report	Publication date	Patent family member(s)	Publication date	
WO 2007110783	A	04-10-2007	EP 1998798 A2 US 2009136651 A1	10-12-2008 28-05-2009
CN 1472373	A	04-02-2004	NONE	
WO 2007126674	A	08-11-2007	CN 101405441 A EP 1999304 A1 KR 20080111103 A US 2008029617 A1	08-04-2009 10-12-2008 22-12-2008 07-02-2008
US 4675140	A	23-06-1987	FI 860178 A MX 171711 B	15-01-1986 10-11-1993